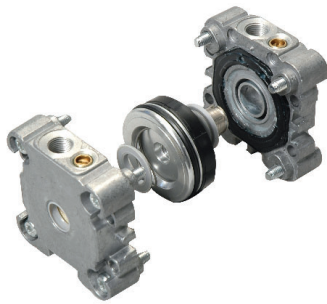


ISO 21287

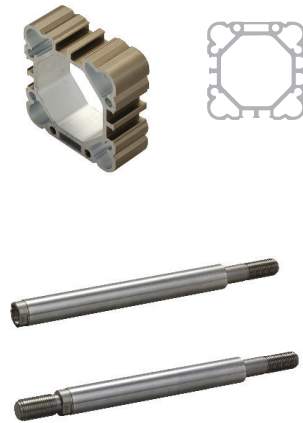
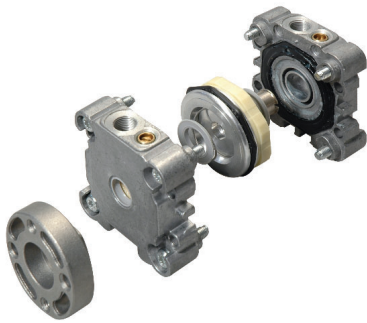
■ RP-RM

Cilindros compactos  $\varnothing 16 \div 100$  mm



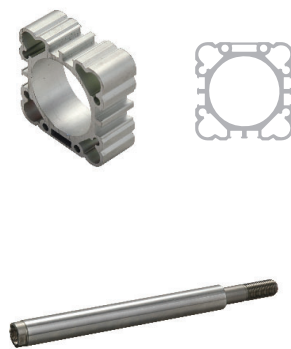
■ RO-RN

Cilindros compactos  $\varnothing 16 \div 63$  mm



■ RS

Cilindros STRONG  $\varnothing 32 \div 100$  mm



■ RQ

Cilindros STRONG  $\varnothing 32 \div 63$  mm

