

# 6

## UNICLAMP

### PNEUMATIC PIN CLAMPS

#### Ø32-63mm

USP32	2
USP50	5
USP63	9

#### Orientable hook Ø50mm

USS50	11
-------	----

#### High compensation Ø63mm

USS63	14
-------	----

#### Laser beam applications Ø50mm

USSL50	17
--------	----

#### Compact Ø40mm

USC40	20
USR40	22

#### Vanishing hook Ø50mm

UST50	25
-------	----

#### Horizontal Ø50mm

USP50U	27
--------	----

#### Vanishing hook and pin Ø63mm

LUP63	29
-------	----

#### Manual Ø50mm

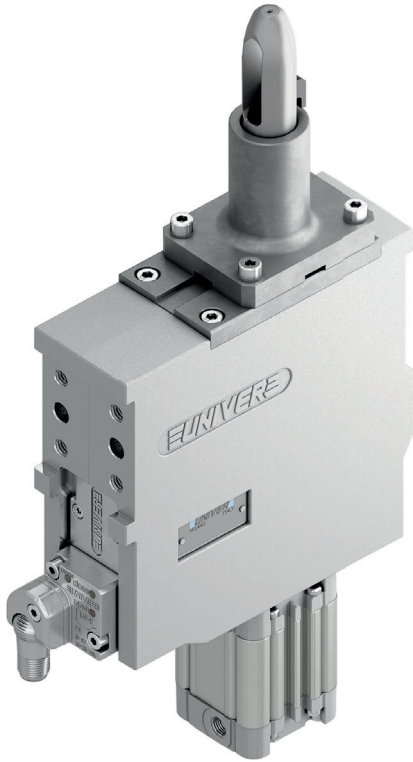
USL50	31
-------	----

# USP 32

Pneumatic pin clamp Ø32 mm

Pneumatic pin clamps mainly designed for centring and clamping metal sheets in BIW underbody applications.

- Integrated compensation up to 1,2 mm
- Double metal scraper for protection against dust and welding debris
- Toggle-joint mechanism
- High repeatability
- High wear resistance steel pin
- Electronic sensor
- Available version with plate machined from solid (no shimming)



6

## CHARACTERISTICS

Operating temperature	5° ÷ 45° C
Min./Max. Operating pressure	0,4 / 0,6 MPa
Bore Ø	32 mm
Clamping force	1500 N
Weight (without plate, pin and hook)	2,6 kg
Pneumatic supply ports	G1/8
Sensor	electronic (optical)
Supply voltage	10 ÷ 30 Vdc
IP code	IP 65

## CODIFICATION KEY

US | P | 32 | J | 3 | 1 | - | K | 0 | | |

1 2 3 4 5 6 7 8 9 10



IRREVERSIBLE



LIGHTWEIGHT



COMPENSATION



METAL SCRAPER



OPTICAL SENSOR



HIGH REPEATABILITY

1

**SERIES**  
US = UNICLAMP Pin clamp with compensation

2

**VERSION**  
P = Pneumatic

3

**SIZE**  
32 = Ø32 mm

4

**MODEL**  
J = Standard  
R = With mechanical locking/unlocking device

5

**PIN DIAMETER**  
1 < = Ø18 mm  
2 = Ø20 mm  
3 = Ø25 mm  
4 = Ø30 mm  
5 = Ø35 mm  
6 = Ø40 mm  
For pin Ø outside the mentioned range, please contact our sales department

6

**LOCATING PIN**  
0 = Locating pin not included  
1 = Locating pin included

7

**PROGRESSIVE NUMBERING**  
Progressive numbers for special products are assigned by the Sales Department

8

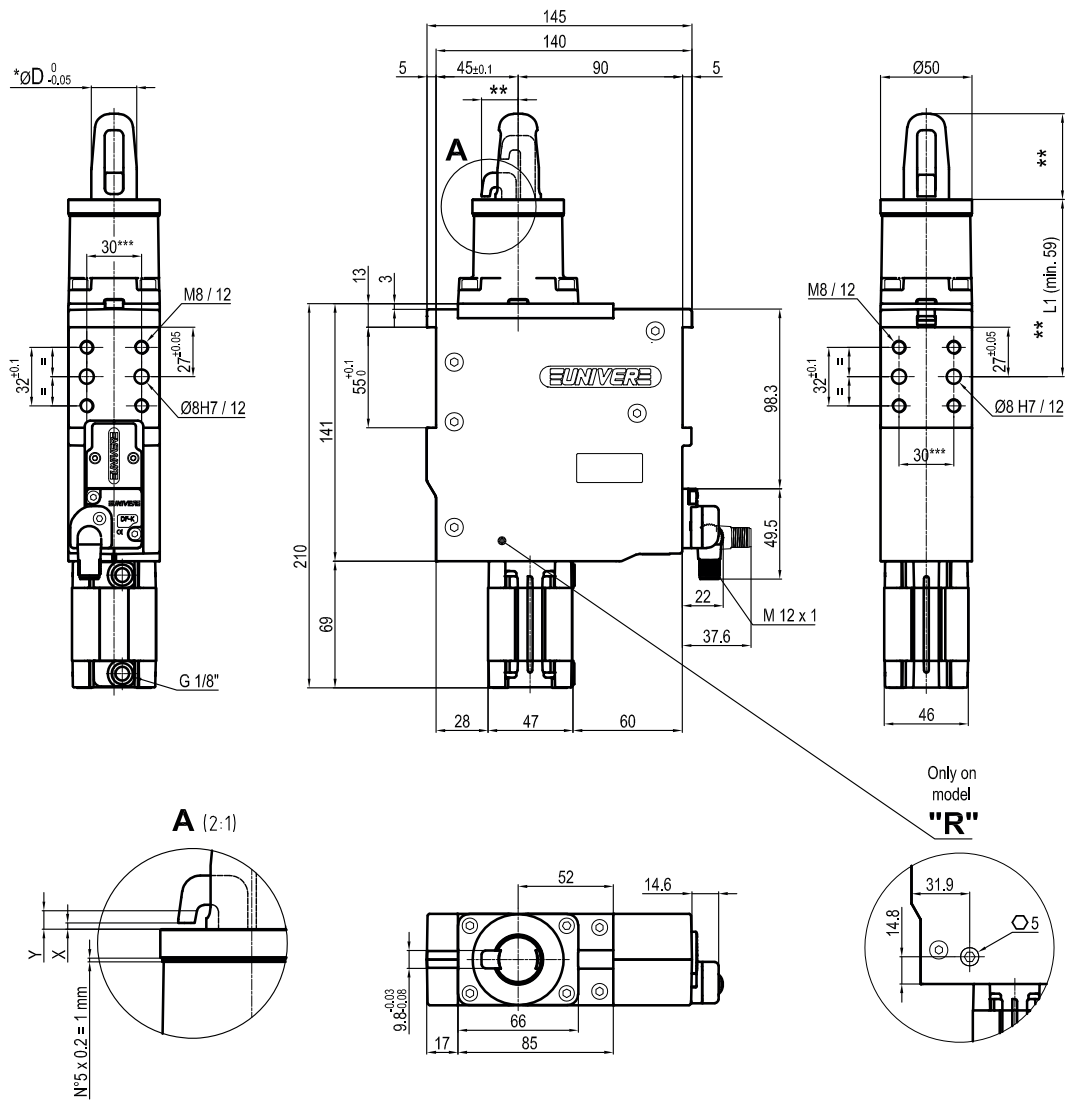
**SENSOR**  
N = No sensor (with protection plate)  
K = Electronic sensor PNP, M12 (DF-K)  
J = Electronic sensor NPN, optical (DF-J)  
Y = Electronic sensor PNP, M12 (DF-Y) white LED

9

**PRODUCT REVISION**  
Assigned by UNIVER

10

**ATEX**  
X = ATEX option  
See ATEX Catalogue for types and versions



6

*Pin Option	ØD
1	18
2	20
3	25
4	30
5	35
6	40

X = Metal sheet  
 Y = Clamping range (X + 1,2 mm Max.)  
 VERSION WITHOUT PIN AND HOOK AVAILABLE UPON REQUEST  
 \*\* MISSING DIMENSION TO BE DEFINED ACCORDING TO CUSTOMER SPECIFICATIONS  
 \*\*\* TOLERANCE BETWEEN DOWEL HOLES ± 0,02, BETWEEN SCREW HOLES ± 0,1

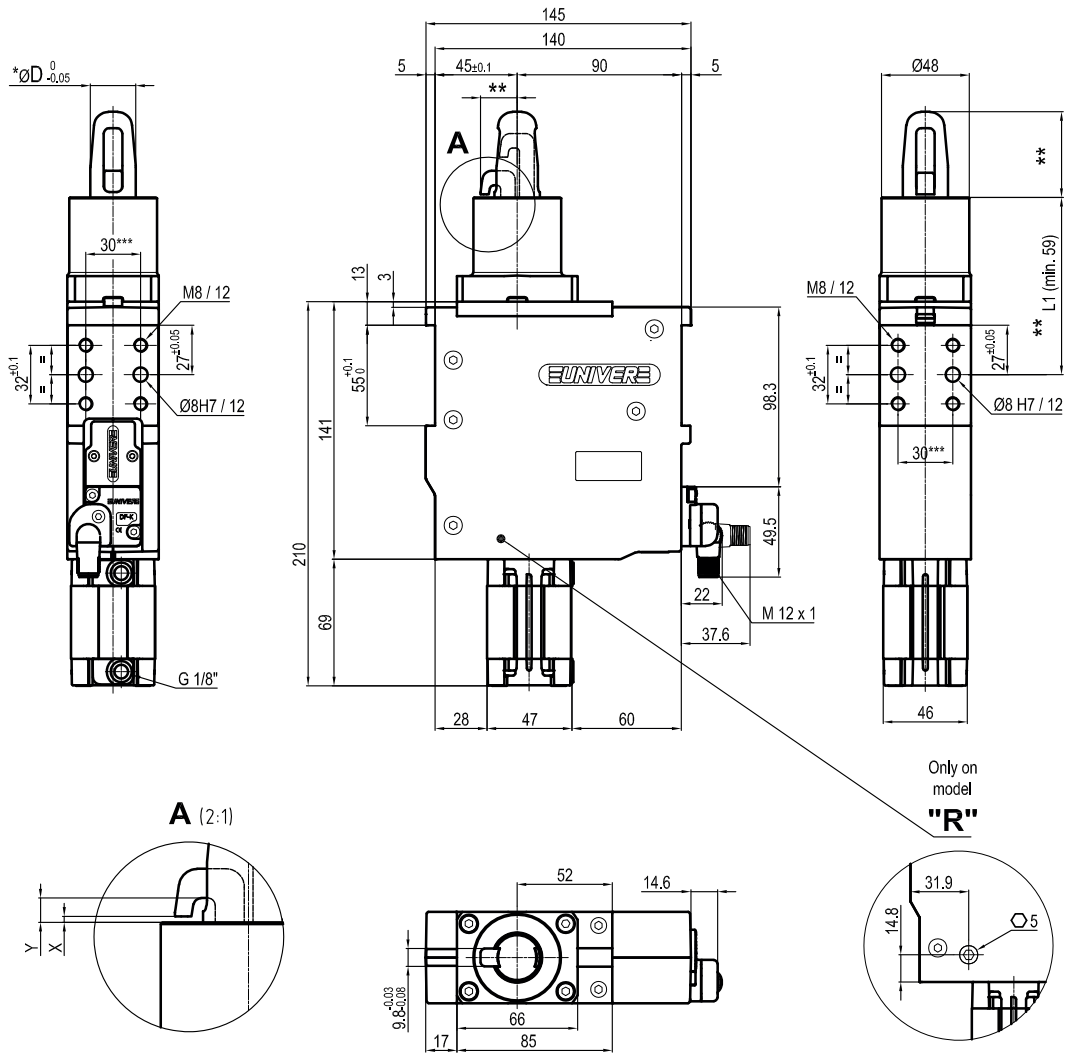
## Sensors



Electronic (optical)

- DF-K PNP M12
- DF-J NPN M12
- DF-Y PNP M12 White LED

Version with plate machined from solid (no shimming)



6

X = Metal sheet  
 Y = Clamping range (X + 1,2 mm Max.)  
 VERSION WITHOUT PIN AND HOOK AVAILABLE UPON REQUEST  
 \*\* MISSING DIMENSION TO BE DEFINED ACCORDING TO CUSTOMER SPECIFICATIONS  
 \*\*\* TOLERANCE BETWEEN DOWEL HOLES ± 0,02, BETWEEN SCREW HOLES ± 0,1

*Pin Option	ØD
1	18
2	20
3	25
4	30
5	35
6	40

Sensors



Electronic (optical)

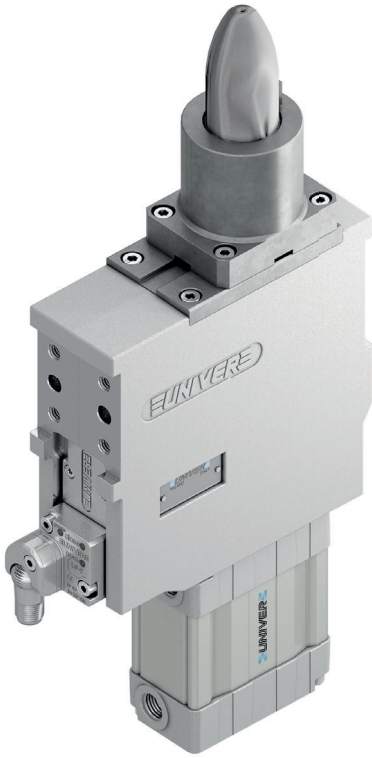
- DF-K PNP M12
- DF-J NPN M12
- DF-Y PNP M12 White LED

# USP 50

Pneumatic pin clamp Ø50 mm

Pneumatic pin clamps mainly designed for centring and clamping metal sheets in BIW underbody applications.

- Integrated compensation up to 2,3 mm
- Double metal scraper for protection against dust and welding debris
- Toggle-joint mechanism
- High repeatability
- High wear resistance steel pin
- Electronic sensor
- Available version with plate machined from solid (no shimming)



## CHARACTERISTICS

Operating temperature	5° ÷ 45° C
Min./Max. Operating pressure	0,4 / 0,6 MPa
Bore Ø	50 mm
Clamping force	3500 N
Weight (without plate, pin and hook)	2,9 kg
Pneumatic supply ports	G1/4 on both sides
Sensor	electronic (optical)
Supply voltage	10 ÷ 30 Vdc
IP code	IP 65

## CODIFICATION KEY

US | P | 50 | J | 3 | 1 | - | K | 0 | | |

1 2 3 4 5 6 7 8 9



IRREVERSIBLE



LIGHTWEIGHT



COMPENSATION



METAL SCRAPER



OPTICAL SENSOR



HIGH REPEATABILITY

1

**SERIES**  
US = UNICLAMP Pin clamp with compensation

2

**VERSION**  
P = Pneumatic

3

**SIZE**  
50 = Ø50 mm

4

**MODEL**  
J = Standard  
R = With mechanical locking/unlocking device

5

**PIN DIAMETER**  
1 < = Ø18 mm  
2 = Ø20 mm  
3 = Ø25 mm  
4 = Ø30 mm  
5 = Ø35 mm  
6 = Ø40 mm  
For pin Ø outside the mentioned range, please contact our sales department

6

**LOCATING PIN**  
0 = Locating pin not included  
1 = Locating pin included

7

**PROGRESSIVE NUMBERING**  
Progressive numbers for special products are assigned by the Sales Department

8

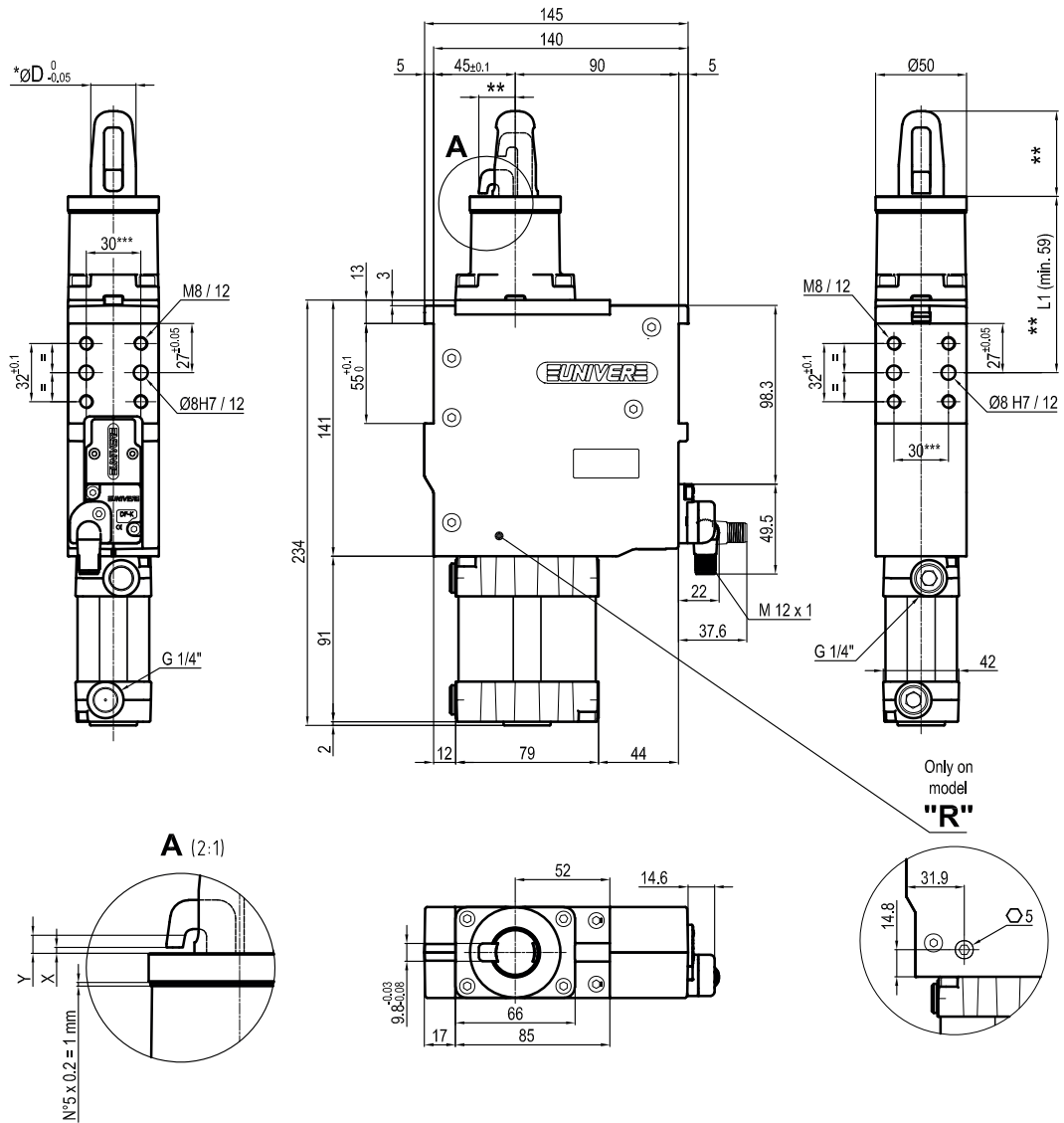
**SENSOR**  
N = No sensor (with protection plate)  
K = Electronic sensor PNP, M12 (DF-K)  
J = Electronic sensor NPN, optical (DF-J)  
Y = Electronic sensor PNP, M12 (DF-Y) white LED

9

**PRODUCT REVISION**  
Assigned by UNIVER

10

**ATEX**  
X = ATEX option  
See ATEX Catalogue for types and versions



6

*Pin Option	ØD
1	18
2	20
3	25
4	30
5	35
6	40

X = Metal sheet  
 Y = Clamping range (X + 2,3 mm Max.)  
 VERSION WITHOUT PIN AND HOOK AVAILABLE UPON REQUEST  
 \*\* MISSING DIMENSION TO BE DEFINED ACCORDING TO CUSTOMER SPECIFICATIONS  
 \*\*\* TOLERANCE BETWEEN DOWEL HOLES ± 0,02, BETWEEN SCREW HOLES ± 0,1

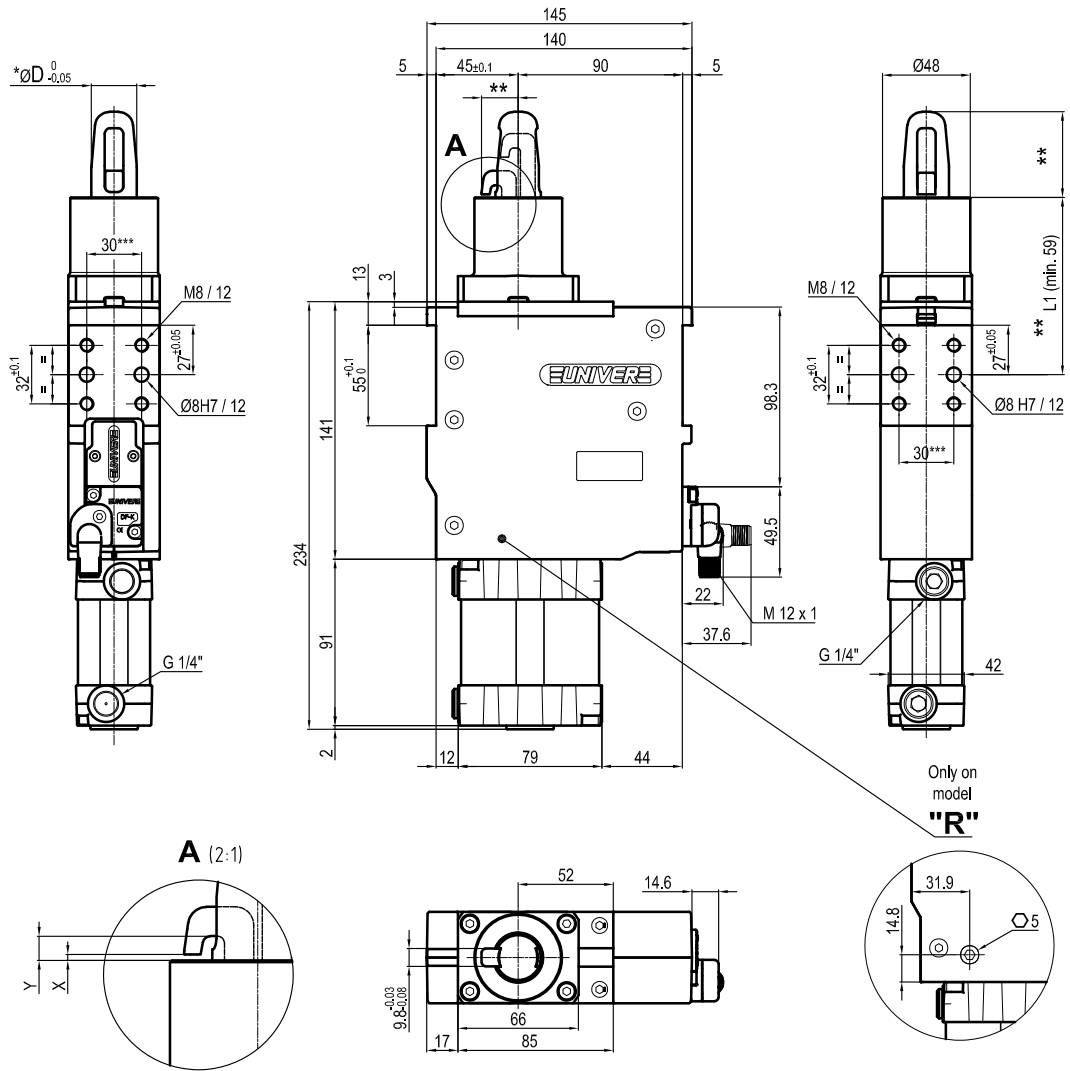
## Sensors



Electronic (optical)

- DF-K PNP M12
- DF-J NPN M12
- DF-Y PNP M12 White LED

Version with plate machined from solid (no shimming)



6

X = Metal sheet  
 Y = Clamping range (X + 2,3 mm Max.)  
 VERSION WITHOUT PIN AND HOOK AVAILABLE UPON REQUEST  
 \*\* MISSING DIMENSION TO BE DEFINED ACCORDING TO CUSTOMER SPECIFICATIONS  
 \*\*\* TOLERANCE BETWEEN DOWEL HOLES ± 0,02, BETWEEN SCREW HOLES ± 0,1

*Pin Option	ØD
1	18
2	20
3	25
4	30
5	35
6	40

Sensors



Electronic (optical)

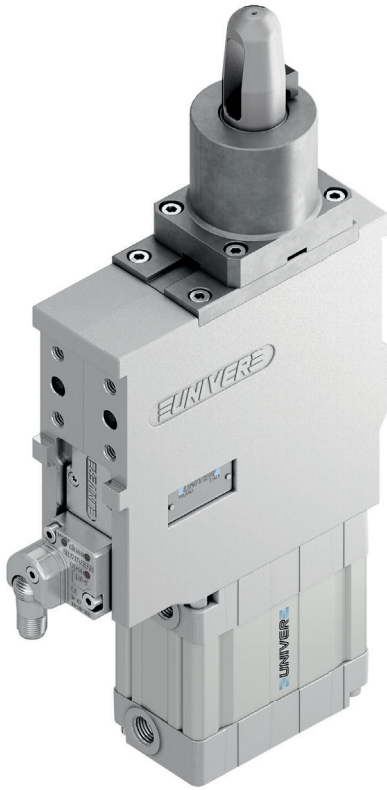
- DF-K PNP M12
- DF-J NPN M12
- DF-Y PNP M12 White LED

# USP 63

Pneumatic pin clamp Ø63 mm, high compensation

Pneumatic pin clamps with high compensation system mainly designed for centering and clamping metal sheets in BIW underbody applications.

- Integrated compensation up to 6 mm
- Double metal scraper for protection against dust and welding debris
- Toggle-joint mechanism
- High repeatability
- High wear resistance steel pin
- Electronic sensor
- Available version with plate machined from solid (no shimming)



6

## CHARACTERISTICS

Operating temperature	5° ÷ 45° C
Min./Max. Operating pressure	0,4 / 0,6 MPa
Bore Ø	63 mm
Clamping force	3500 N
Weight (without plate, pin and hook)	3,1kg
Pneumatic supply ports	G1/4 on both sides
Sensor	electronic (optical)
Supply voltage	10 ÷ 30 Vdc
IP code	IP 65

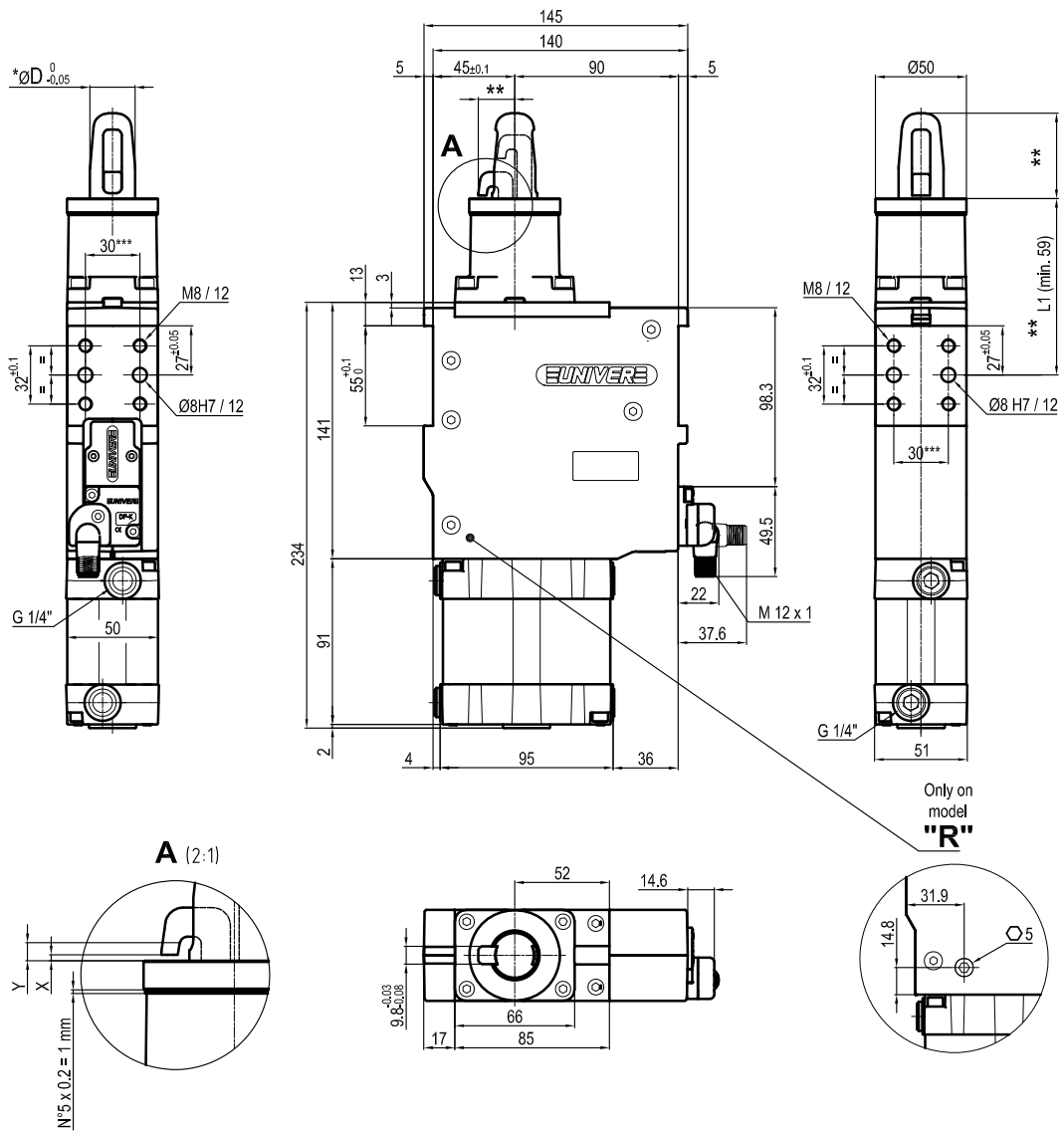
## CODIFICATION KEY

US | P | 63 | J | 3 | 1 | - | K | 0 | | |  
 1 | 2 | 3 | 4 | 5 | 6 | 7 | 8 | 9 | 10

- IRREVERSIBLE
- LIGHTWEIGHT
- COMPENSATION
- METAL SCRAPER
- OPTICAL SENSOR
- HIGH REPEATABILITY

- 1** SERIES  
US = UNICLAMP Pin clamp with compensation
- 2** VERSION  
P = Pneumatic
- 3** SIZE  
63 = Ø63 mm
- 4** MODEL  
J = Standard  
R = With mechanical locking/unlocking device
- 5** PIN DIAMETER  
1 <= Ø18 mm  
2 = Ø20 mm  
3 = Ø25 mm  
4 = Ø30 mm  
5 = Ø35 mm  
6 = Ø40 mm  
For pin Ø outside the mentioned range, please contact our sales department
- 6** LOCATING PIN  
0 = Locating pin not included  
1 = Locating pin included
- 7** PROGRESSIVE NUMBERING  
Progressive numbers for special products are assigned by the Sales Department
- 8** SENSOR  
N = No sensor (with protection plate)  
K = Electronic sensor PNP, M12 (DF-K)  
J = Electronic sensor NPN, optical (DF-J)  
Y = Electronic sensor PNP, M12 (DF-Y) white LED
- 9** PRODUCT REVISION  
Assigned by UNIVER
- 10** ATEX  
X = ATEX option  
See ATEX Catalogue for types and versions





6

*Pin Option	ØD
1	18
2	20
3	25
4	30
5	35
6	40

X = Metal sheet  
 Y = Clamping range (X + 6 mm Max.)  
 VERSION WITHOUT PIN AND HOOK AVAILABLE UPON REQUEST  
 \*\* MISSING DIMENSION TO BE DEFINED ACCORDING TO CUSTOMER SPECIFICATIONS  
 \*\*\* TOLERANCE BETWEEN DOWEL HOLES ± 0,02, BETWEEN SCREW HOLES ± 0,1

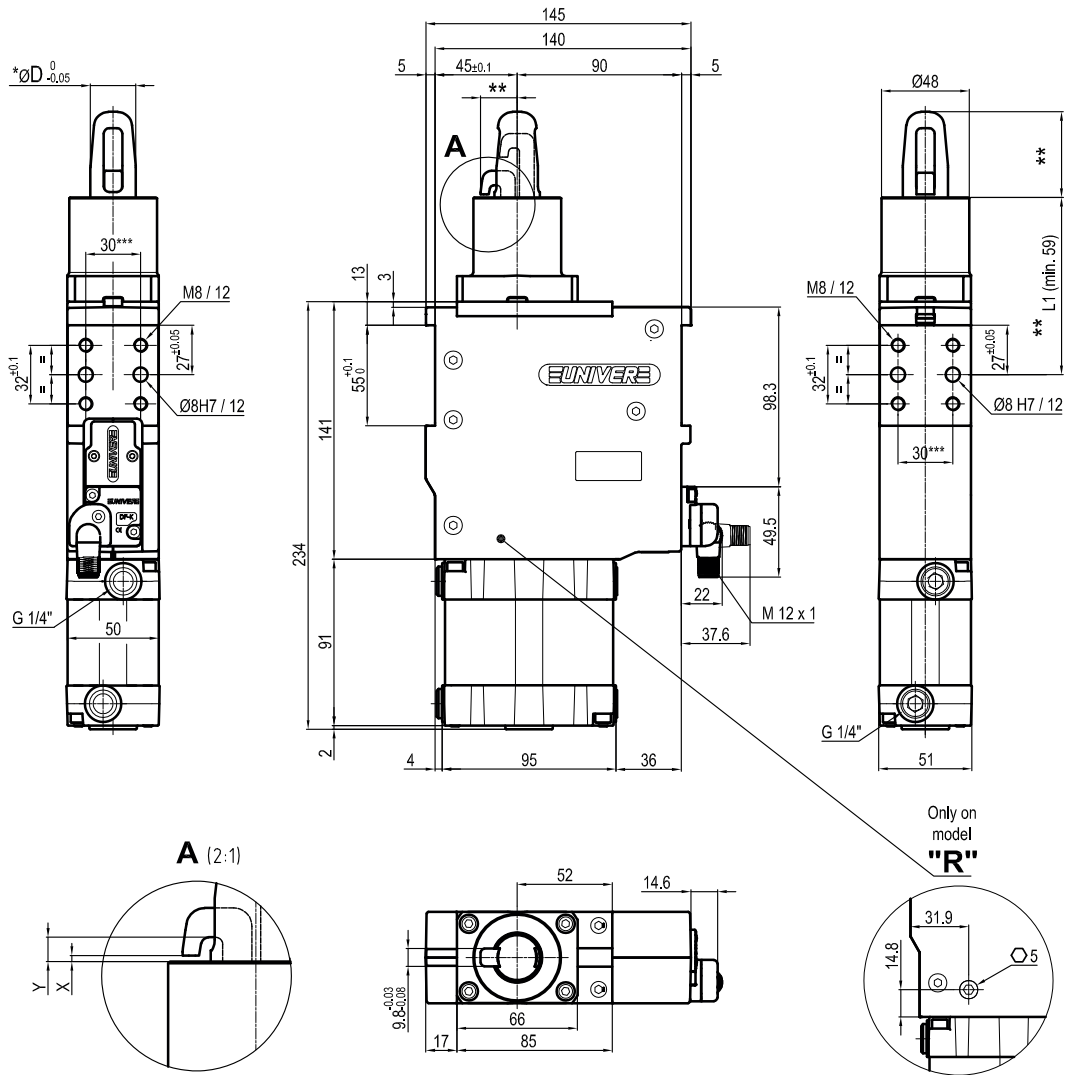
## Sensors



Electronic (optical)

- DF-K PNP M12
- DF-J NPN M12
- DF-Y PNP M12 White LED

Version with plate machined from solid (no shimming)



6

X = Metal sheet  
 Y = Clamping range (X + 6 mm Max.)  
 VERSION WITHOUT PIN AND HOOK AVAILABLE UPON REQUEST  
 \*\* MISSING DIMENSION TO BE DEFINED ACCORDING TO CUSTOMER SPECIFICATIONS  
 \*\*\* TOLERANCE BETWEEN DOWEL HOLES ± 0,02, BETWEEN SCREW HOLES ± 0,1

*Pin Option	ØD
1	18
2	20
3	25
4	30
5	35
6	40

Sensors



Electronic (optical)

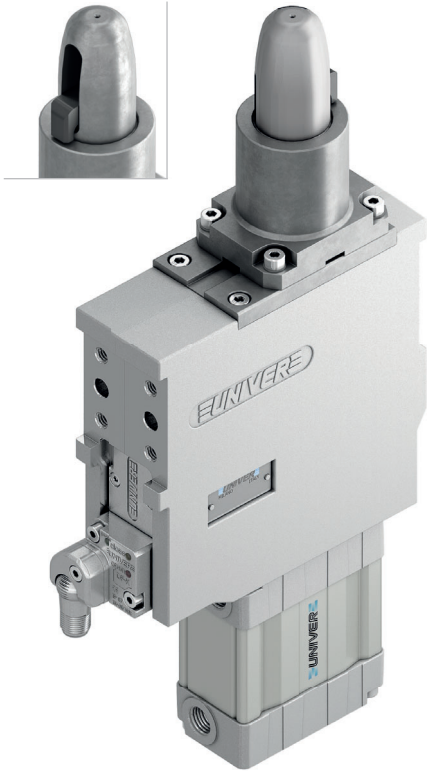
- DF-K PNP M12
- DF-J NPN M12
- DF-Y PNP M12 White LED

# USS 50

Pneumatic pin clamp Ø50 mm, orientable hook

Pneumatic pin clamps with orientable hook position and high compensation system mainly designed for centering and clamping metal sheets in BIW underbody applications.

- Integrated compensation up to 2,3 mm
- Double metal scraper for protection against dust and welding debris
- Toggle-joint mechanism
- High repeatability
- High wear resistance steel pin
- Electronic sensor
- Hook position: 0/180°
- Available version with plate machined from solid (no shimming)



## CHARACTERISTICS

Operating temperature	5° ÷ 45° C
Min./Max. Operating pressure	0,4 / 0,6 MPa
Bore Ø	50 mm
Clamping force	3500 N
Weight (without plate, pin and hook)	2,9 kg
Pneumatic supply ports	G1/4 on both sides
Sensor	electronic (optical)
Supply voltage	10 ÷ 30 Vdc
IP code	IP 65

## CODIFICATION KEY

US	S	50	J	B	1	0	-	K	0	
1	2	3	4	5	6	7	8	9	10	11

IRREVERSIBLE

LIGHTWEIGHT

COMPENSATION

METAL SCRAPER

OPTICAL SENSOR

HIGH REPEATABILITY

0/180°

**1** SERIES  
US = UNICLAMP Pin clamp with compensation

**2** VERSION  
S = Pneumatic with orientable hook

**3** SIZE  
50 = Ø50 mm

**4** MODEL  
J = Standard  
R = With mechanical locking/unlocking device

**5** HOOK POSITION  
B = Standard  
C = Rotated by 180°

**6** PIN DIAMETER  
1 < = Ø18 mm  
2 = Ø20 mm  
3 = Ø25 mm  
4 = Ø30 mm  
5 = Ø35 mm  
6 = Ø40 mm  
For pin Ø outside the mentioned range, please contact our sales department

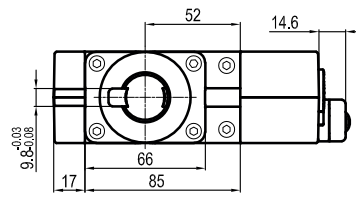
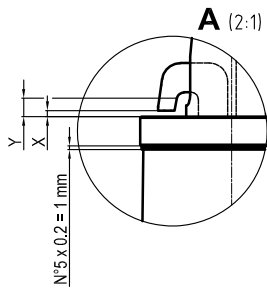
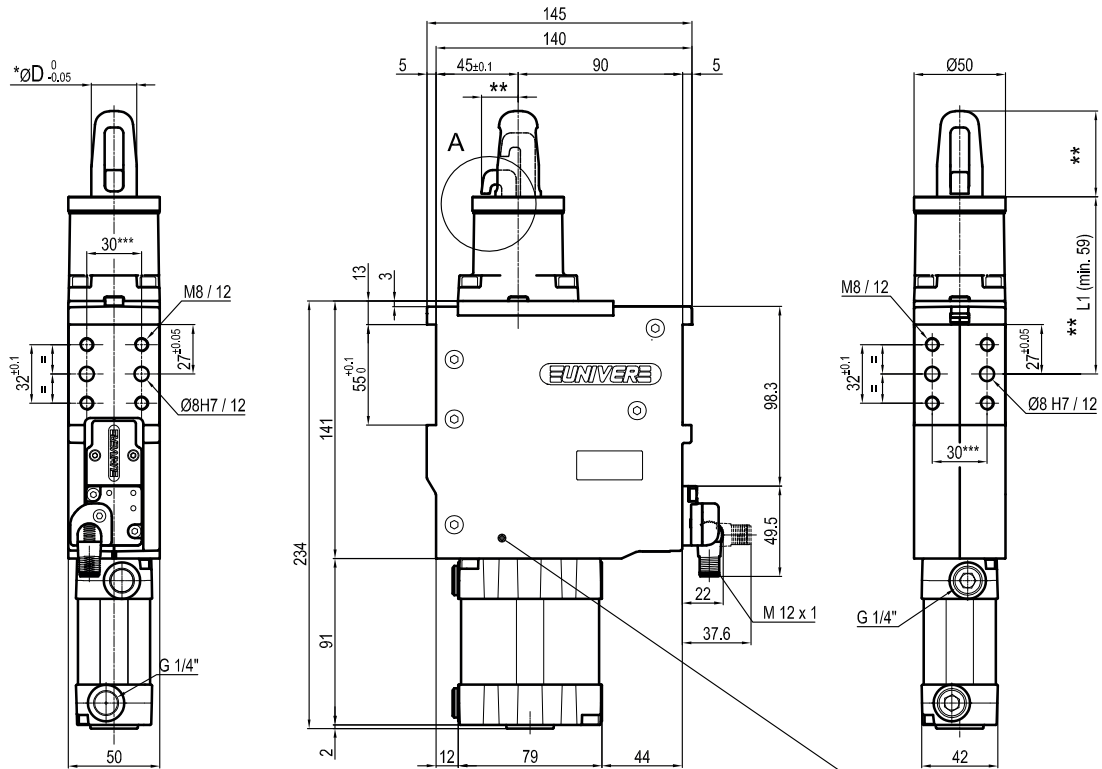
**7** LOCATING PIN  
0 = Locating pin not included  
1 = Locating pin included

**8** PROGRESSIVE NUMBERING  
Progressive numbers for special products are assigned by the Sales Department

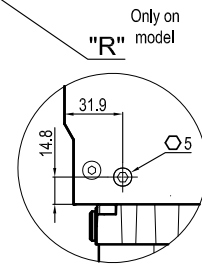
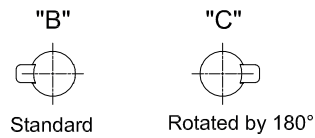
**9** SENSOR  
N = No sensor (with protection plate)  
K = Electronic sensor PNP, M12 (DF-K)  
J = Electronic sensor NPN, optical (DF-J)  
Y = Electronic sensor PNP, M12 (DF-Y) white LED

**10** PRODUCT REVISION  
Assigned by UNIVER

**11** ATEX  
X = ATEX option  
See ATEX Catalogue for types and versions



Hook position



*Pin Option	ØD
1	18
2	20
3	25
4	30
5	35
6	40

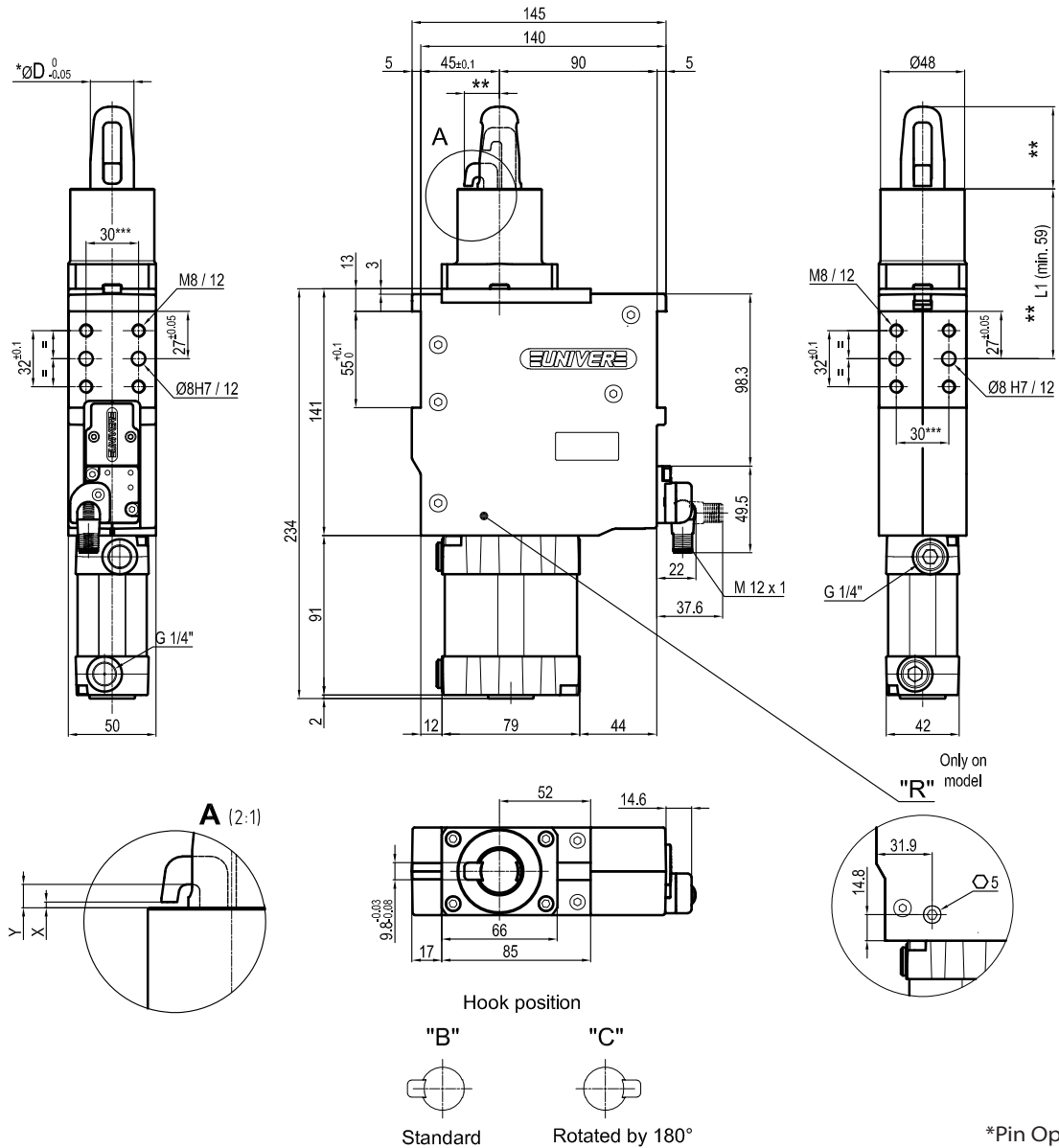
X = Metal sheet  
 Y = Clamping range (X + 2,3 mm Max.)  
 VERSION WITHOUT PIN AND HOOK AVAILABLE UPON REQUEST  
 \*\* MISSING DIMENSION TO BE DEFINED ACCORDING TO CUSTOMER SPECIFICATIONS  
 \*\*\* TOLERANCE BETWEEN DOWEL HOLES ± 0,02, BETWEEN SCREW HOLES ± 0,1

## Sensors



Electronic (optical)

- DF-K PNP M12
- DF-J NPN M12
- DF-Y PNP M12 White LED



X = Metal sheet  
 Y = Clamping range (X + 2,3 mm Max.)  
 VERSION WITHOUT PIN AND HOOK AVAILABLE UPON REQUEST  
 \*\* MISSING DIMENSION TO BE DEFINED ACCORDING TO CUSTOMER SPECIFICATIONS  
 \*\*\* TOLERANCE BETWEEN DOWEL HOLES ± 0,02, BETWEEN SCREW HOLES ± 0,1

*Pin Option	ØD
1	18
2	20
3	25
4	30
5	35
6	40

## Sensors



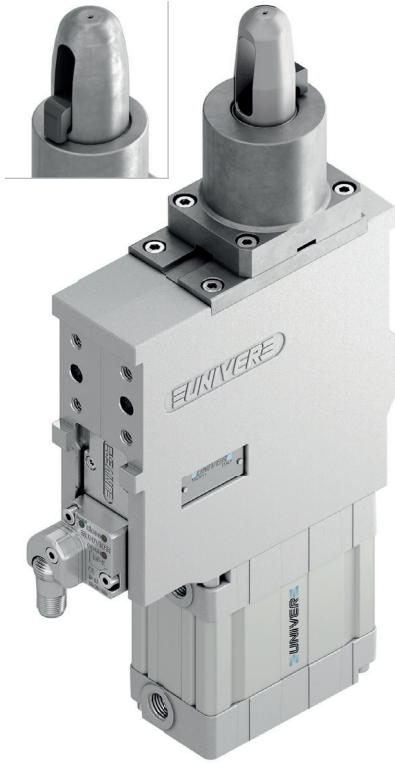
Electronic (optical)

- DF-K PNP M12
- DF-J NPN M12
- DF-Y PNP M12 White LED

# USS 63

Pneumatic pin clamp Ø63 mm, orientable hook, high compensation

Pneumatic pin clamps with orientable hook position and high compensation system mainly designed for centering and clamping metal sheets in BIW underbody applications.



- Integrated compensation up to 6 mm
- Double metal scraper for protection against dust and welding debris
- Toggle-joint mechanism
- High repeatability
- High wear resistance steel pin
- Electronic sensor
- Hook position: 0/180°
- Available version with plate machined from solid (no shimming)

## CHARACTERISTICS

Operating temperature	5° ÷ 45° C
Min./Max. Operating pressure	0,4 / 0,6 MPa
Bore Ø	63 mm
Clamping force	3500 N
Weight (without plate, pin and hook)	3,1 kg
Pneumatic supply ports	G1/4 on both sides
Sensor	electronic (optical)
Supply voltage	10 ÷ 30 Vdc
IP code	IP 65

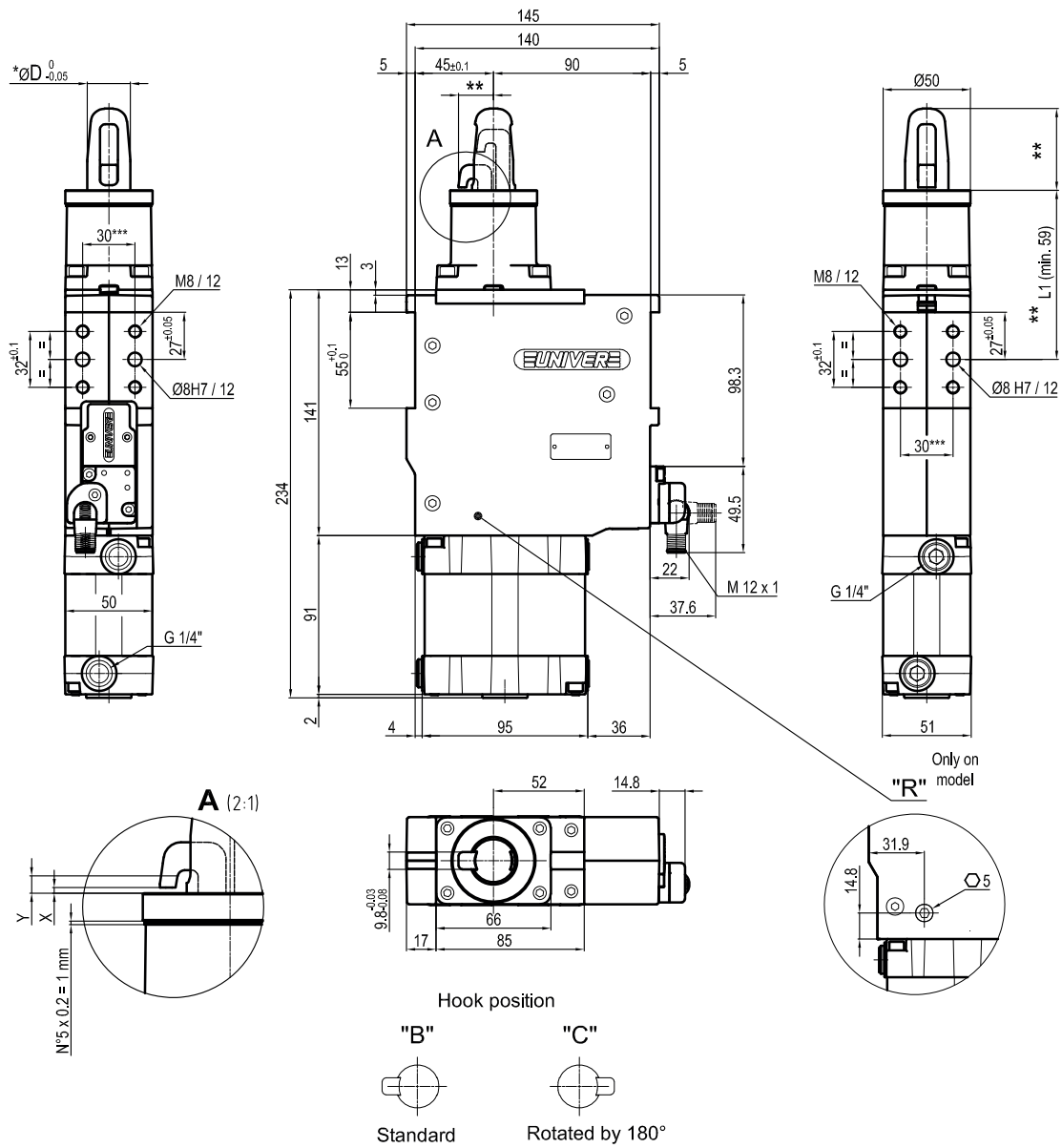
## CODIFICATION KEY



- IRREVERSIBLE
- LIGHTWEIGHT
- COMPENSATION
- METAL SCRAPER
- OPTICAL SENSOR
- HIGH REPEATABILITY
- 0/180°

- |   |  |
|---|--|
| <p><b>1</b> SERIES<br/>US = UNICLAMP Pin clamp with compensation</p> <p><b>2</b> VERSION<br/>S = Pneumatic with orientable hook</p> <p><b>3</b> SIZE<br/>63 = Ø63 mm</p> <p><b>4</b> MODEL<br/>J = Standard<br/>R = With mechanical locking/unlocking device</p> <p><b>5</b> HOOK POSITION<br/>B = Standard<br/>C = Rotated by 180°</p> <p><b>6</b> PIN DIAMETER<br/>1 &lt; = Ø18 mm<br/>2 = Ø20 mm<br/>3 = Ø25 mm<br/>4 = Ø30 mm<br/>5 = Ø35 mm<br/>6 = Ø40 mm<br/><br/>For pin Ø outside the mentioned range, please contact our sales department</p> | <p><b>7</b> LOCATING PIN<br/>0 = Locating pin not included<br/>1 = Locating pin included</p> <p><b>8</b> PROGRESSIVE NUMBERING<br/>Progressive numbers for special products are assigned by the Sales Department</p> <p><b>9</b> SENSOR<br/>N = No sensor (with protection plate)<br/>K = Electronic sensor PNP, M12 (DF-K)<br/>J = Electronic sensor NPN, optical (DF-J)<br/>Y = Electronic sensor PNP, M12 (DF-Y) white LED</p> <p><b>10</b> PRODUCT REVISION<br/>Assigned by UNIVER</p> <p><b>11</b> ATEX<br/>X = ATEX option<br/>See ATEX Catalogue for types and versions</p> |
|---|--|

6



6

X = Metal sheet  
 Y = Clamping range (X + 6 mm Max.)  
 VERSION WITHOUT PIN AND HOOK AVAILABLE UPON REQUEST  
 \*\* MISSING DIMENSION TO BE DEFINED ACCORDING TO CUSTOMER SPECIFICATIONS  
 \*\*\* TOLERANCE BETWEEN DOWEL HOLES  $\pm 0,02$ , BETWEEN SCREW HOLES  $\pm 0,1$

*Pin Option	ØD
1	18
2	20
3	25
4	30
5	35
6	40

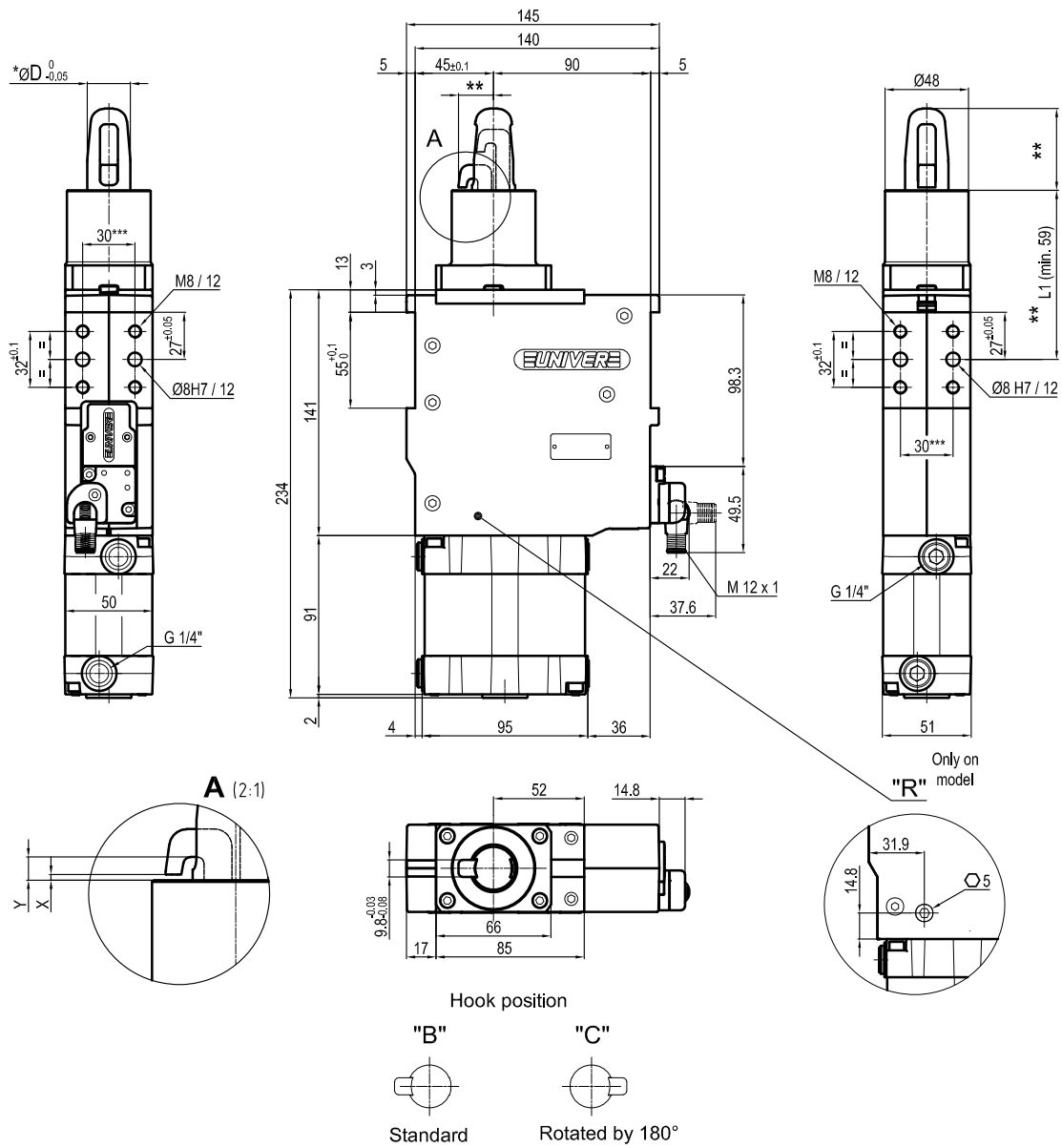
## Sensors



Electronic (optical)

- DF-K PNP M12
- DF-J NPN M12
- DF-Y PNP M12 White LED

Version with plate machined from solid (no shimming)



X = Metal sheet  
 Y = Clamping range (X + 6 mm Max.)  
 VERSION WITHOUT PIN AND HOOK AVAILABLE UPON REQUEST  
 \*\* MISSING DIMENSION TO BE DEFINED ACCORDING TO CUSTOMER SPECIFICATIONS  
 \*\*\* TOLERANCE BETWEEN DOWEL HOLES ± 0,02, BETWEEN SCREW HOLES ± 0,1

*Pin Option	ØD
1	18
2	20
3	25
4	30
5	35
6	40

Sensors



Electronic (optical)

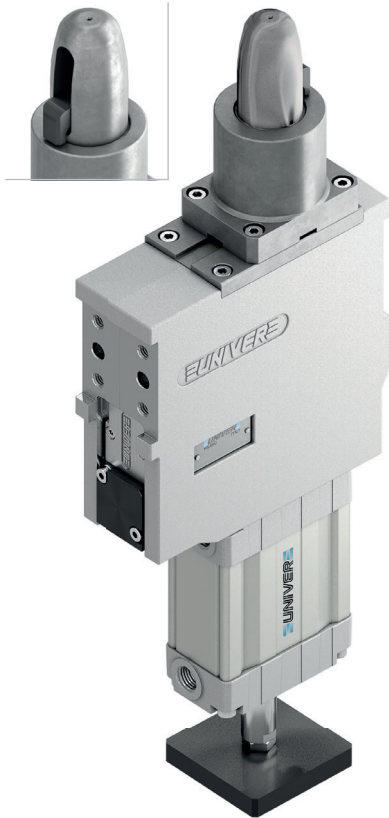
- DF-K PNP M12
- DF-J NPN M12
- DF-Y PNP M12 White LED



# USSL 50

Pneumatic pin clamp for laser beam applications, orientable hook, Ø50 mm

Pneumatic pin clamps for laser beam applications mainly designed for centering and clamping metal sheets in BIW underbody applications where the detection of the position is done by a laser beam instead of a position sensor



- Integrated compensation up to 2,3 mm
- Double metal scraper for protection against dust and welding debris
- Toggle-joint mechanism
- High wear resistance steel pin
- Electronic sensor
- Hook position: 0/180°
- Available version with plate machined from solid (no shimming)

## CHARACTERISTICS

Operating temperature	5° ÷ 45° C
Min./Max. Operating pressure	0,4 / 0,6 MPa
Bore Ø	50 mm
Clamping force	3500 N
Weight (without plate, pin and hook)	3,1 kg
Pneumatic supply ports	G1/4 on both sides
Supply voltage	10 ÷ 30 Vdc
IP code	IP 65

6

## CODIFICATION KEY

US	SL	50	J	B	3	1	-	N	0	
1	2	3	4	5	6	7	8	9	10	11

IRREVERSIBLE

LIGHTWEIGHT

COMPENSATION

METAL SCRAPER

OPTICAL SENSOR

HIGH REPEATABILITY

0/180°

**1** SERIES  
US = UNICLAMP Pin clamp with compensation

**2** VERSION  
SL = Pneumatic for laser beam applications, orientable hook

**3** SIZE  
50 = Ø50 mm

**4** MODEL  
J = Standard  
R = With mechanical locking/unlocking device

**5** HOOK POSITION  
B = Standard  
C = Rotated by 180°

**6** PIN DIAMETER  
1 <= Ø18 mm  
2 = Ø20 mm  
3 = Ø25 mm  
4 = Ø30 mm  
5 = Ø35 mm  
6 = Ø40 mm  
For pin Ø outside the mentioned range, please contact our sales department

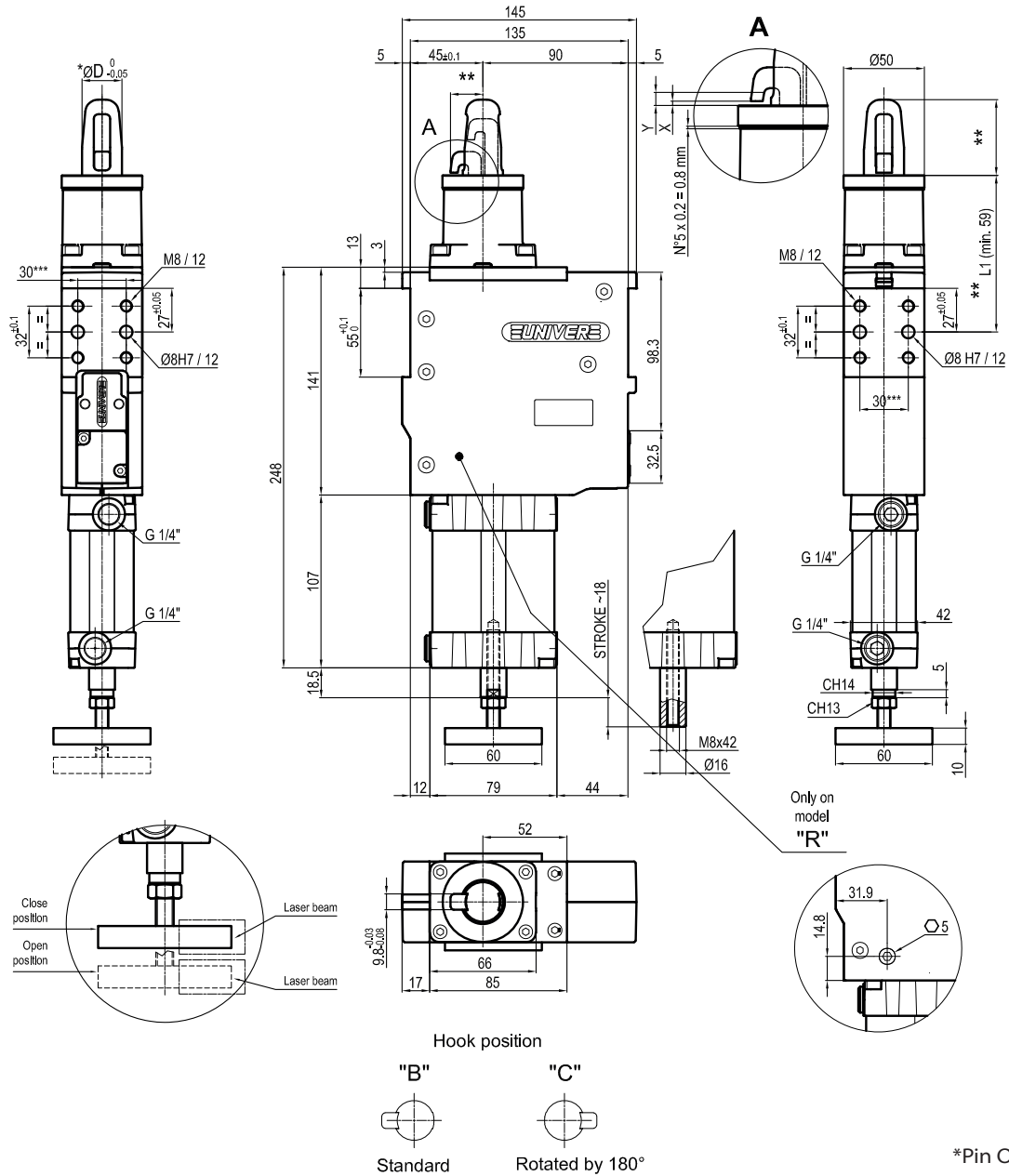
**7** LOCATING PIN  
0 = Locating pin not included  
1 = Locating pin included

**8** PROGRESSIVE NUMBERING  
Progressive numbers for special products are assigned by the Sales Department

**9** SENSOR  
N = No sensor (with protection plate)

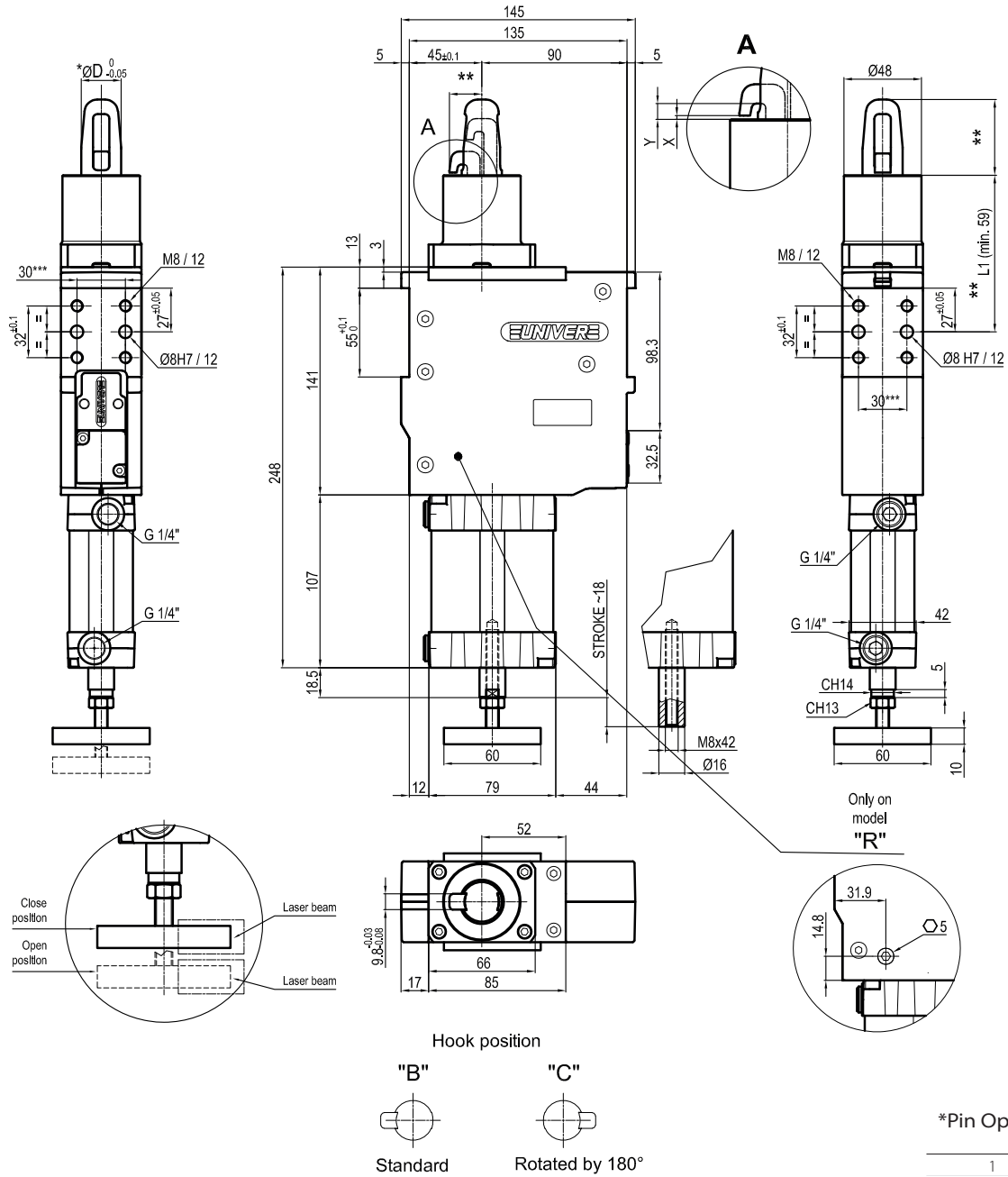
**10** PRODUCT REVISION  
Assigned by UNIVER

**10** ATEX  
X = ATEX option  
See ATEX Catalogue for types and versions



X = Metal sheet  
 Y = Clamping range (X + 2,3 mm Max.)  
 VERSION WITHOUT PIN AND HOOK AVAILABLE UPON REQUEST  
 \*\* MISSING DIMENSION TO BE DEFINED ACCORDING TO CUSTOMER SPECIFICATIONS  
 \*\*\* TOLERANCE BETWEEN DOWEL HOLES ± 0,02, BETWEEN SCREW HOLES ± 0,1

Version with plate machined from solid (no shimming)

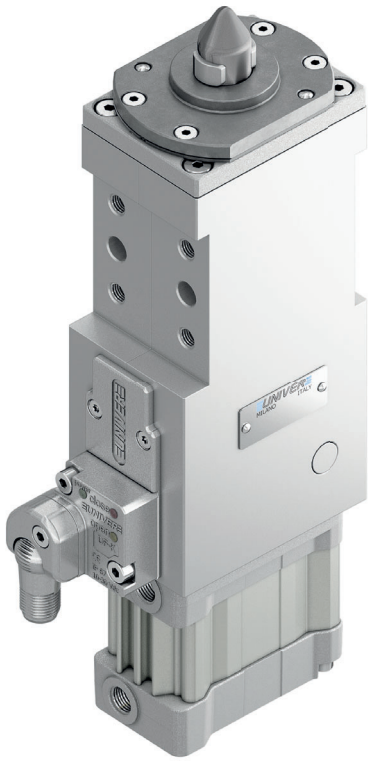


X = Metal sheet  
 Y = Clamping range (X + 2,3 mm Max.)  
 VERSION WITHOUT PIN AND HOOK AVAILABLE UPON REQUEST  
 \*\* MISSING DIMENSION TO BE DEFINED ACCORDING TO CUSTOMER SPECIFICATIONS  
 \*\*\* TOLERANCE BETWEEN DOWEL HOLES ± 0,02, BETWEEN SCREW HOLES ± 0,1

# USC 40

Compact retractable pin clamp with clamping fingers, Ø40 mm

Compact Pin Clamp with retractable clamping fingers for centering and clamping. The compact and lightweight construction make this unit suitable for mounting on grippers for handling pieces through a centering hole.



- Compact dimensions
- Integrated compensation up to 3 mm
- High wear resistance steel pin
- Protection against welding debris and dust
- Toggle-joint system
- Electronic sensor

## CHARACTERISTICS

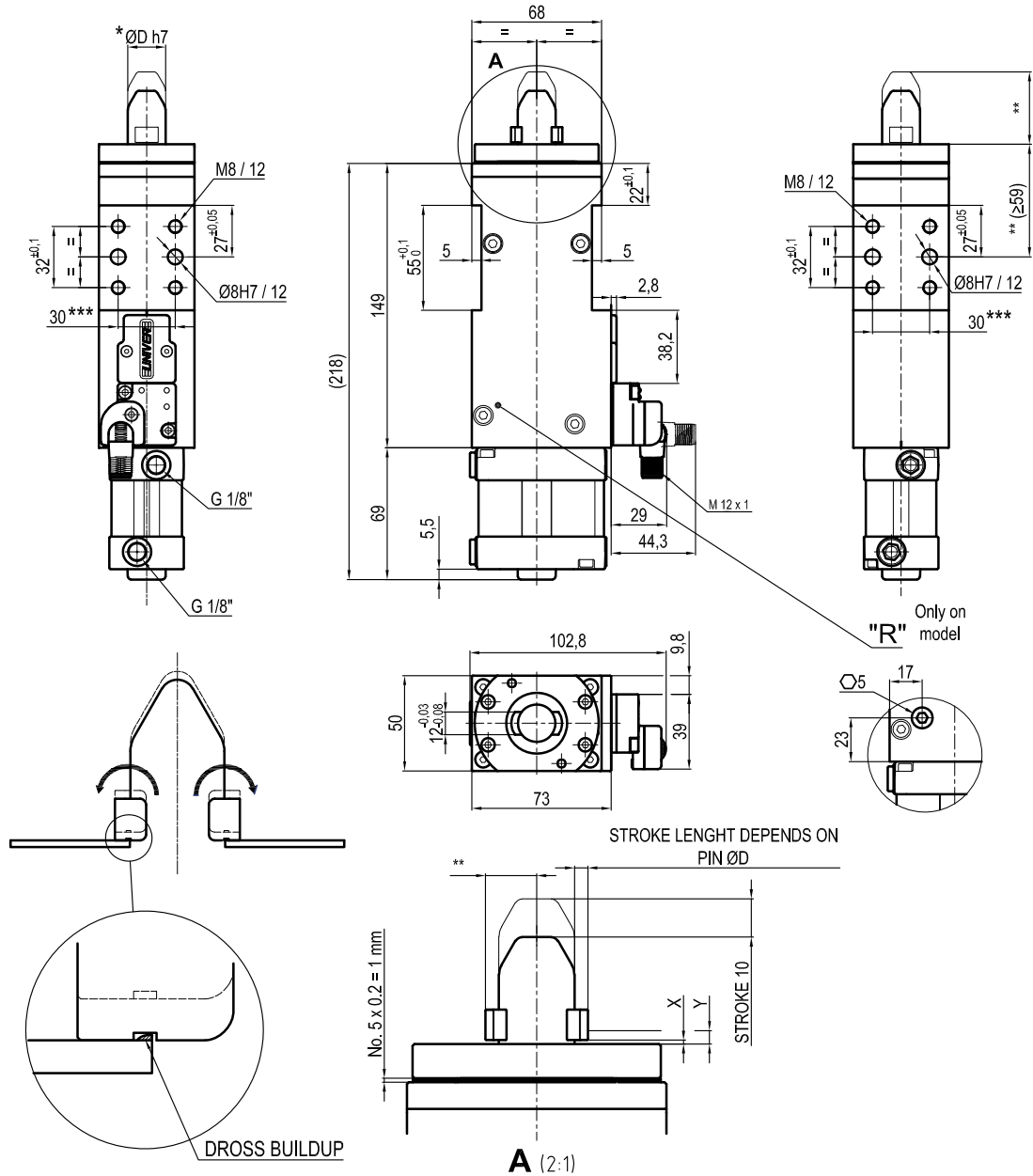
Operating temperature	5° ÷ 45° C
Min./Max. Operating pressure	0,4 / 0,6 MPa
Bore Ø	40 mm
Clamping force	900 N
Weight (without plate and pin)	1,3 kg
Pneumatic supply ports	G1/8 on both sides
Sensor	electronic (optical)
Supply voltage	10 ÷ 30 Vdc
IP code	IP 65

## CODIFICATION KEY

US | C | 40 | J | 3 | 1 | - | K | 0 | | |  
 1 2 3 4 5 6 7 8 9 10

- IRREVERSIBLE
- LIGHTWEIGHT
- COMPENSATION
- COMPACT
- OPTICAL SENSOR
- HIGH REPEATABILITY
- METAL SCRAPER

- 1** SERIES  
US = UNICLAMP Pin clamp with compensation
  - 2** VERSION  
C = Pneumatic compact with clamping fingers
  - 3** SIZE  
40 = Ø40 mm
  - 4** MODEL  
J = Standard  
R = With mechanical locking/unlocking device
  - 5** PIN DIAMETER  
1 < = Ø15,8 mm  
2 = Ø20 mm  
3 = Ø25 mm  
4 = Ø30 mm
  - 6** LOCATING PIN  
1 = Locating pin included
  - 7** PROGRESSIVE NUMBERING  
Progressive numbers for special products are assigned by the Sales Department
  - 8** SENSOR  
N = No sensor (with protection plate)  
K = Electronic sensor PNP, M12 (DF-K)  
J = Electronic sensor NPN, optical (DF-J)  
Y = Electronic sensor PNP, M12 (DF-Y) white LED
  - 9** PRODUCT REVISION  
Assigned by UNIVER
  - 10** ATEX  
X = ATEX option  
See ATEX Catalogue for types and versions
- For pin Ø outside the mentioned range, please contact our sales department



6

X = Metal sheet  
 Y = Clamping range (X + 3 mm Max.)  
 VERSION WITHOUT PIN AND HOOK AVAILABLE UPON REQUEST  
 \*\* MISSING DIMENSION TO BE DEFINED ACCORDING TO CUSTOMER SPECIFICATIONS  
 \*\*\* TOLERANCE BETWEEN DOWEL HOLES ± 0,02, BETWEEN SCREW HOLES ± 0,1

*Pin Option	ØD
1	15,8
2	20
3	25
4	30

## Sensors



Electronic (optical)

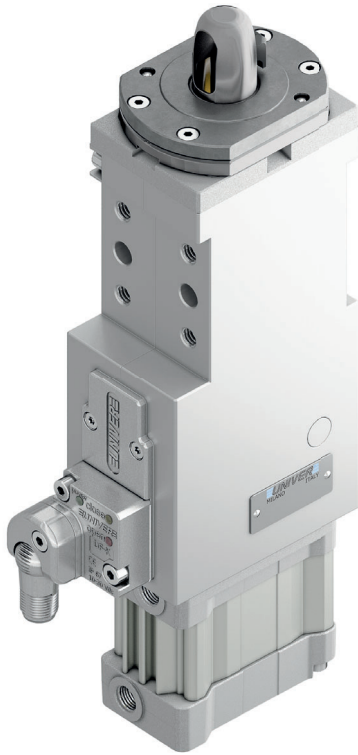
- DF-K PNP M12
- DF-J NPN M12
- DF-Y PNP M12 White LED

# USR 40

Compact pin clamp with single or double hook, Ø40 mm

Compact pin clamp with single or double hook for centering and clamping. The compact and lightweight construction make this unit suitable for mounting on grippers and in applications where reduced dimensions are required

- Compact dimensions
- Integrated compensation up to 3 mm
- High wear resistance steel pin
- Protection against welding debris and dust
- Toggle-joint system
- Version with single or double hook
- Electronic sensor



6

## CHARACTERISTICS

Operating temperature	5° ÷ 45° C
Min./Max. Operating pressure	0,4 / 0,6 MPa
Bore Ø	40 mm
Clamping force	900 N
Weight (without plate, pin and hook)	1,9 kg
Pneumatic supply ports	G1/8 on both sides
Sensor	electronic (optical)
Supply voltage	10 ÷ 30 Vdc
IP code	IP 65

## CODIFICATION KEY

US	R	40	J	3	1	S	-	K	0	
1	2	3	4	5	6	7	8	9	10	11



IRREVERSIBLE



LIGHTWEIGHT



COMPENSATION



COMPACT



OPTICAL SENSOR



HIGH REPEATABILITY



METAL SCRAPER

1

### SERIES

US = UNICLAMP Pin clamp

2

### VERSION

R = Pneumatic compact

3

### SIZE

40 = Ø40 mm

4

### MODEL

J = Standard  
R = With mechanical locking/unlocking device  
F = Without compensation

5

### PIN DIAMETER

1 < = Ø19 mm  
2 = Ø20 mm  
3 = Ø25 mm  
4 = Ø30 mm  
5 = Ø35 mm  
6 = Ø40 mm  
For pin Ø outside the mentioned range, please contact our sales department

6

### LOCATING PIN

0 = Locating pin not included  
1 = Locating pin included

7

### HOOK

S = Single hook  
D = Double hook, standard without compensation\* (model F)  
\*For version with compensation please contact our sales department

8

### PROGRESSIVE NUMBERING

Progressive numbers for special products are assigned by the Sales Department

9

### SENSOR

N = No sensor (with protection plate)  
K = Electronic sensor PNP, M12 (DF-K)  
J = Electronic sensor NPN, optical (DF-J)  
Y = Electronic sensor PNP, M12 (DF-Y) white LED

10

### PRODUCT REVISION

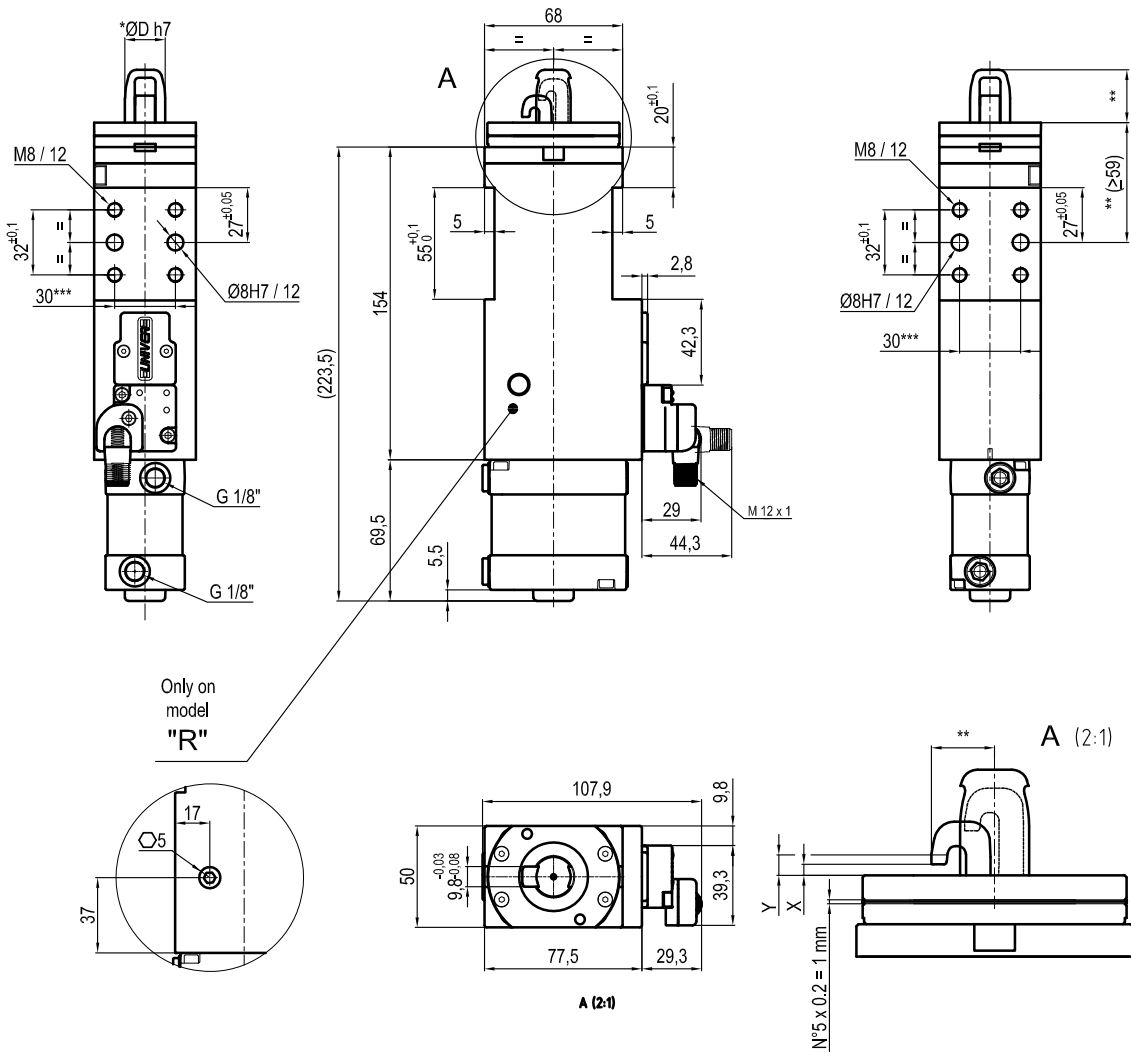
Assigned by UNIVER

11

### ATEX

X = ATEX option  
See ATEX Catalogue for types and versions

**S** Single hook



6

X = Metal sheet  
 Y = Clamping range (X + 3 mm Max.)  
 VERSION WITHOUT PIN AND HOOK AVAILABLE UPON REQUEST  
 \*\* MISSING DIMENSION TO BE DEFINED ACCORDING TO CUSTOMER SPECIFICATIONS  
 \*\*\* TOLERANCE BETWEEN DOWEL HOLES ± 0,02, BETWEEN SCREW HOLES ± 0,1

*Pin Option	ØD
1	15,8
2	20
3	25
4	30

Sensors

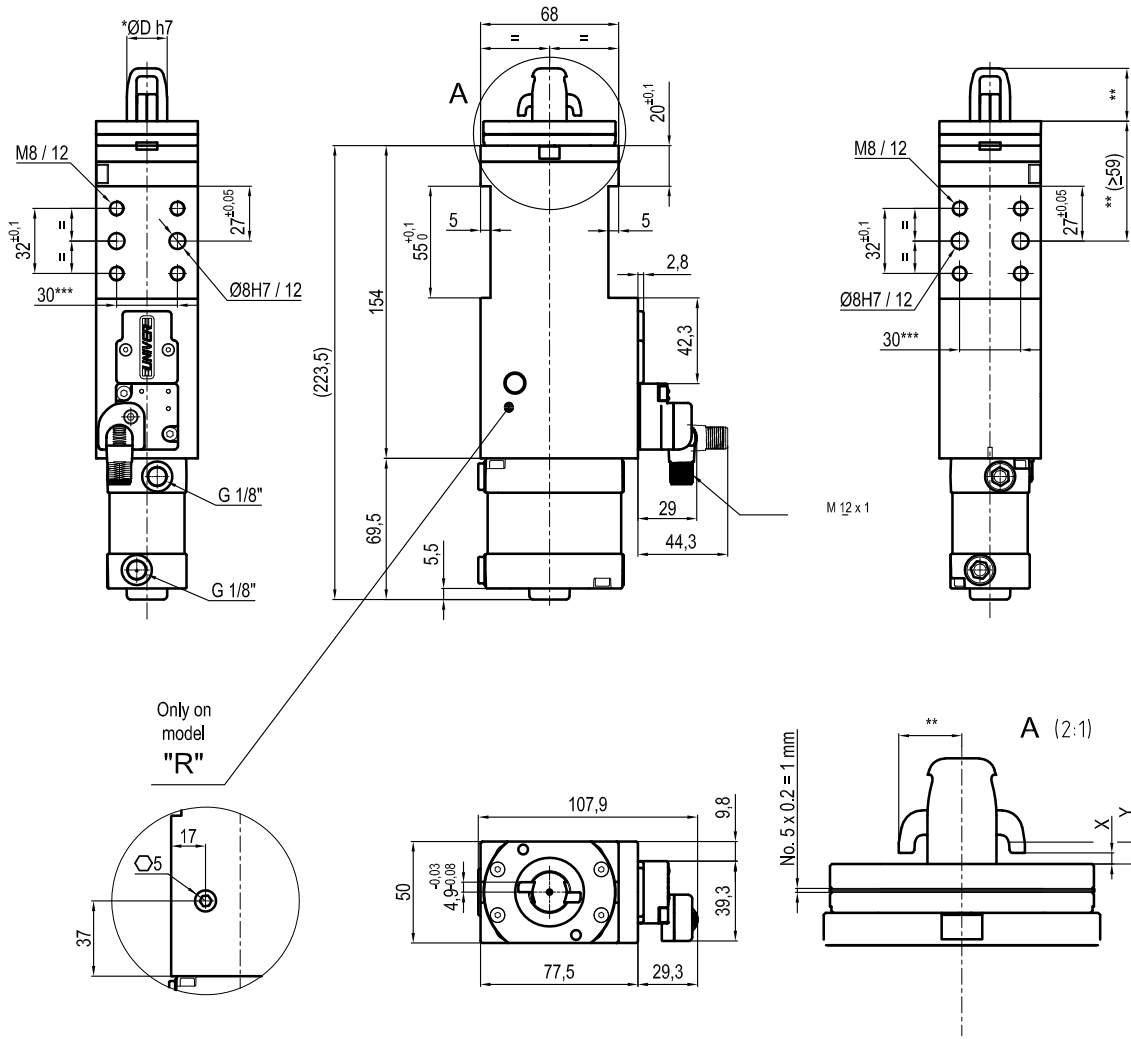


Electronic (optical)

- DF-K PNP M12
- DF-J NPN M12
- DF-Y PNP M12 White LED



**D** Double hook



X = Metal sheet  
 Y = Clamping range (X + 3 mm Max.)  
 VERSION WITHOUT PIN AND HOOK AVAILABLE UPON REQUEST  
 \*\* MISSING DIMENSION TO BE DEFINED ACCORDING TO CUSTOMER SPECIFICATIONS  
 \*\*\* TOLERANCE BETWEEN DOWEL HOLES ± 0,02, BETWEEN SCREW HOLES ± 0,1

*Pin Option	ØD
1	15,8
2	20
3	25
4	30

**Sensors**



Electronic (optical)

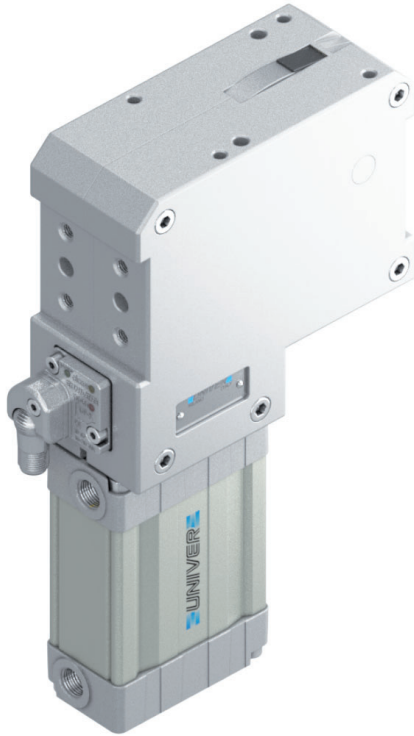
- DF-K PNP M12
- DF-J NPN M12
- DF-Y PNP M12 White LED



# UST 50

Pneumatic pin clamp with vanishing hook, Ø50 mm

Pneumatic pin clamp with vanishing hook, mainly designed for centering and clamping metal sheets in BIW underbody applications



- Integrated compensation up to 1,5 mm
- Irreversible
- Protection against welding debris and dust
- High repeatability
- Electronic sensor

## CHARACTERISTICS

Operating temperature	5° ÷ 45° C
Min./Max. Operating pressure	0,4 / 0,6 MPa
Bore Ø	50 mm
Clamping force	3500 N
Weight (without plate, pin and hook)	3,0 kg
Pneumatic supply ports	G1/4 on both sides
Sensor	electronic (optical)
Supply voltage	10 ÷ 30 Vdc
IP code	IP 65

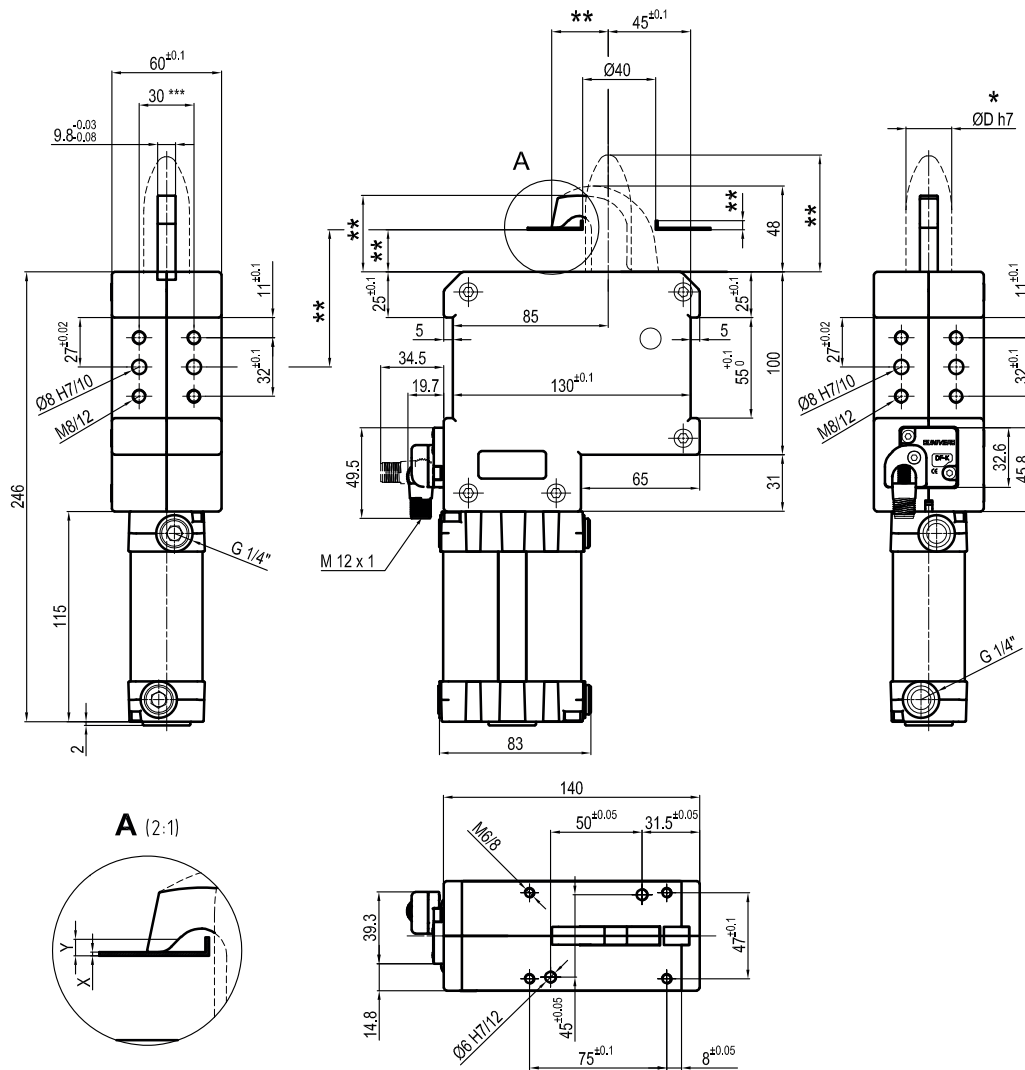
6

## CODIFICATION KEY

US | T | 50 | T | 2 | 0 | - | K | 0 | | |  
 1 | 2 | 3 | 4 | 5 | 6 | 7 | 8 | 9 | 10

- IRREVERSIBLE
- LIGHTWEIGHT
- COMPENSATION
- OPTICAL SENSOR
- HIGH REPEATABILITY

- |  |   |
|--|---|
| <p><b>1</b> SERIES<br/>US = UNICLAMP Pin clamp with compensation</p> <p><b>2</b> VERSION<br/>T = Pneumatic</p> <p><b>3</b> SIZE<br/>50 = Ø50 mm</p> <p><b>4</b> MODEL<br/>T = With vanishing hook</p> <p><b>5</b> PIN DIAMETER<br/>1 &lt; = Ø19 mm<br/>2 = Ø20 mm<br/>3 = Ø25 mm<br/>4 = Ø30 mm<br/>5 = Ø35 mm<br/>6 = Ø40 mm<br/>For pin Ø outside the mentioned range, please contact our sales department</p> | <p><b>6</b> LOCATING PIN<br/>0 = Locating pin not included<br/>1 = Locating pin included</p> <p><b>7</b> PROGRESSIVE NUMBERING<br/>Progressive numbers for special products are assigned by the Sales Department</p> <p><b>8</b> SENSOR<br/>N = No sensor (with protection plate)<br/>K = Electronic sensor PNP, M12 (DF-K)<br/>J = Electronic sensor NPN, optical (DF-J)<br/>Y = Electronic sensor PNP, M12 (DF-Y) white LED</p> <p><b>9</b> PRODUCT REVISION<br/>Assigned by UNIVER</p> <p><b>11</b> ATEX<br/>X = ATEX option<br/>See ATEX Catalogue for types and versions</p> |
|--|---|



6

*Pin Option	ØD
1	≤19
2	20
3	25
4	30
5	35
6	40

X = Metal sheet  
 Y = Clamping range (X + 1,5 mm Max.)  
 VERSION WITHOUT PIN AND HOOK AVAILABLE UPON REQUEST  
 \*\* MISSING DIMENSIONS TO BE DEFINED ACCORDING TO CUSTOMER SPECIFICATIONS  
 \*\*\* TOLERANCE BETWEEN DOWEL HOLES ± 0,02, BETWEEN SCREW HOLES ± 0,1

## Sensors

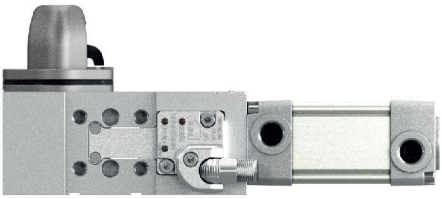
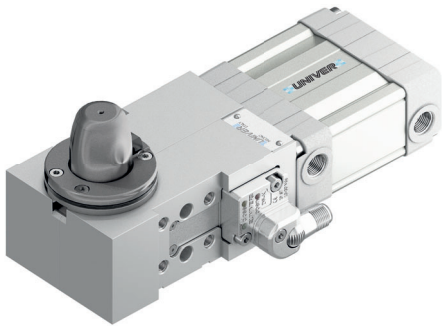


Electronic (optical)

- DF-K PNP M12
- DF-J NPN M12
- DF-Y PNP M12 White LED

# USP 50U

Pneumatic pin clamp - Horizontal shape, Ø50 mm



Pneumatic pin clamp with horizontal shape, mainly designed for centering and clamping metal sheets in BIW underbody applications. Thanks to the flat shape it is widely used in applications where the installation space is very small

- Integrated compensation up to 0,5 mm
- Protection against welding debris and dust
- Toggle-joint mechanism
- High repeatability
- Two sided sensor mounting
- Electronic sensor

## CHARACTERISTICS

Operating temperature	5° ÷ 45° C
Min./Max. Operating pressure	0,4 / 0,6 MPa
Bore Ø	50 mm
Clamping force	2500 N
Weight (without plate, pin and hook)	2,2 kg
Pneumatic supply ports	G1/8 on both sides
Sensor	electronic (optical)
Supply voltage	10 ÷ 30 Vdc
IP code	IP 65

## CODIFICATION KEY

US | P | 50 | U | 3 | 1 | L | - | K | | | |  
 1 2 3 4 5 6 7 8 9 10 11



IRREVERSIBLE



LIGHTWEIGHT



METAL SCRAPER



OPTICAL SENSOR



HIGH REPEATABILITY

1

**SERIES**  
 US = UNICLAMP Pin clamp with compensation

2

**VERSION**  
 P = Pneumatic

3

**SIZE**  
 50 = Ø50 mm

4

**MODEL**  
 U = Horizontal shape

5

**PIN DIAMETER**  
 1 < = Ø19 mm  
 2 = Ø20 mm  
 3 = Ø25 mm  
 4 = Ø30 mm  
 5 = Ø35 mm  
 For pin Ø outside the mentioned range, please contact our sales department

6

**LOCATING PIN**  
 0 = Locating pin not included  
 1 = Locating pin included

7

**SENSOR POSITION**  
 L = Left side  
 R = Right side

8

**PROGRESSIVE NUMBERING**  
 Progressive numbers for special products are assigned by the Sales Department

9

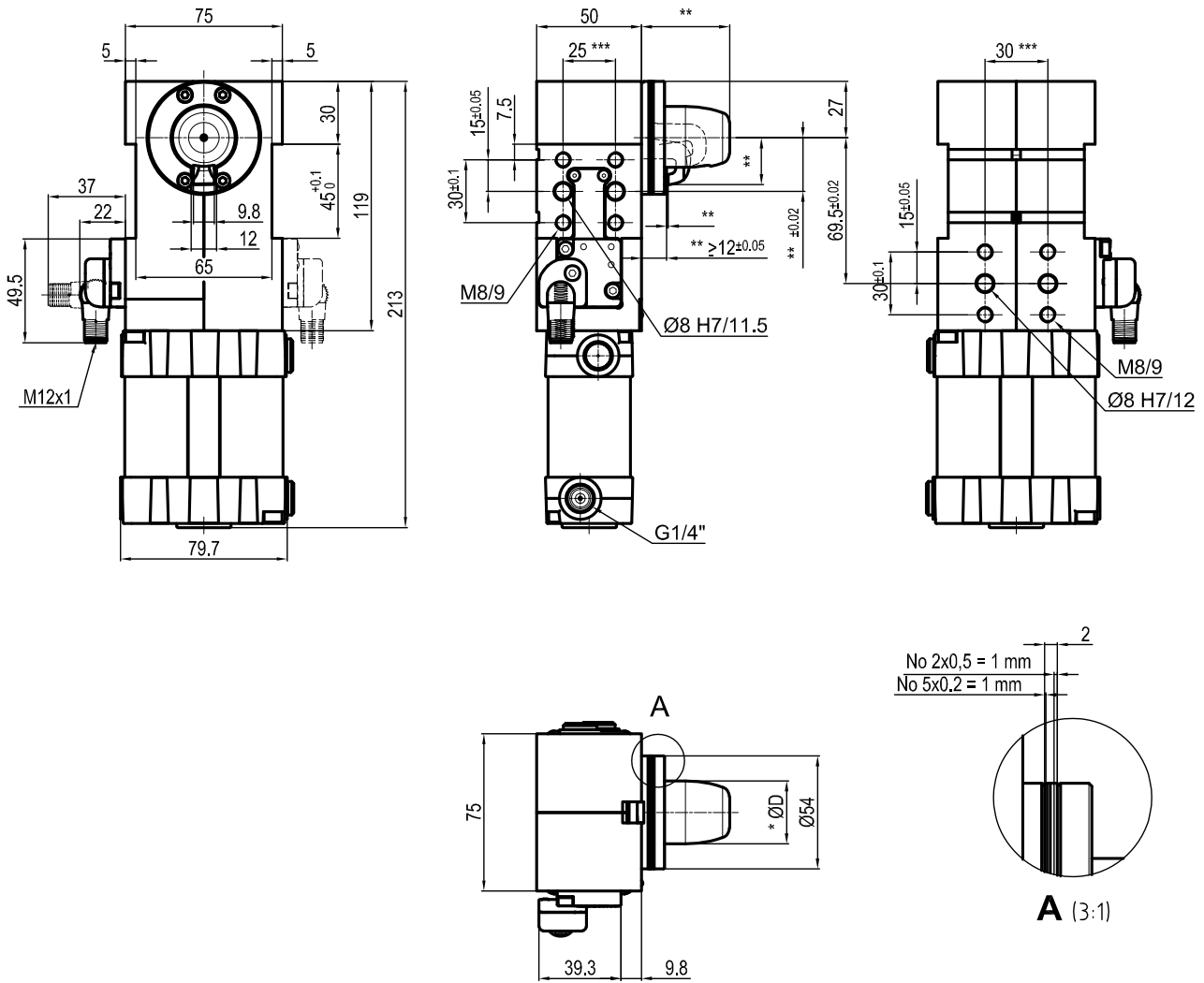
**SENSOR**  
 N = No sensor (with protection plate)  
 K = Electronic sensor PNP, M12 (DF-K)  
 J = Electronic sensor NPN, optical (DF-J)  
 Y = Electronic sensor PNP, M12 (DF-Y) white LED

10

**PRODUCT REVISION**  
 Assigned by UNIVER

11

**ATEX**  
 X = ATEX option  
 See ATEX Catalogue for types and versions



6

\*\* MISSING DIMENSION TO BE DEFINED ACCORDING TO CUSTOMER SPECIFICATIONS  
 \*\*\* TOLERANCE BETWEEN DOWEL HOLES  $\pm 0,02$ , BETWEEN SCREW HOLES  $\pm 0,1$   
 THE SENSOR CAN BE MOUNTED ON EITHER RIGHT OR LEFT SIDE

*Pin Option	ØD
1	$\leq 19$
2	20
3	25
4	30
5	35
6	40

## Sensors



Electronic (optical)

- DF-K PNP M12
- DF-J NPN M12
- DF-Y PNP M12 White LED

# LUP 63

Pneumatic pin clamp with vanishing hook and pin, Ø63 mm

Pneumatic pin clamp with vanishing hook and pin, mainly designed for centering and clamping metal sheets in BIW underbody applications with no need to raise and lower the metal sheet during positioning operations

- Protection against welding debris and dust
- Irreversible
- High repeatability
- High wear resistance steel pin
- Electronic sensor with 2 cables and M12 connectors to detect the position of both the pin and hook



## CHARACTERISTICS

Operating temperature	5° ÷ 45° C
Min./Max. Operating pressure	0,4 / 0,6 MPa
Bore Ø	63 mm
Clamping force	1500 N
Weight (without plate, pin and hook)	3,0 kg
Pneumatic supply ports	G1/8
Sensor	electronic with 2xM12 cables
Supply voltage	10 ÷ 30 Vdc
IP code	IP 65

6

## CODIFICATION KEY

LU | P | 63 | S | E | 3 | 1 | - | |  
 1 | 2 | 3 | 4 | 5 | 6 | 7 | 8



IRREVERSIBLE



LIGHTWEIGHT



HIGH REPEATABILITY



METAL SCRAPER

1

**SERIES**  
LU = Pin clamp

2

**VERSION**  
P = Pneumatic

3

**SIZE**  
63 = Ø63 mm

4

**MODEL**  
S = Vanishing hook and pin

5

**SENSOR**  
N = No sensor (with protection plate)  
E = DF-LUP sensor

6

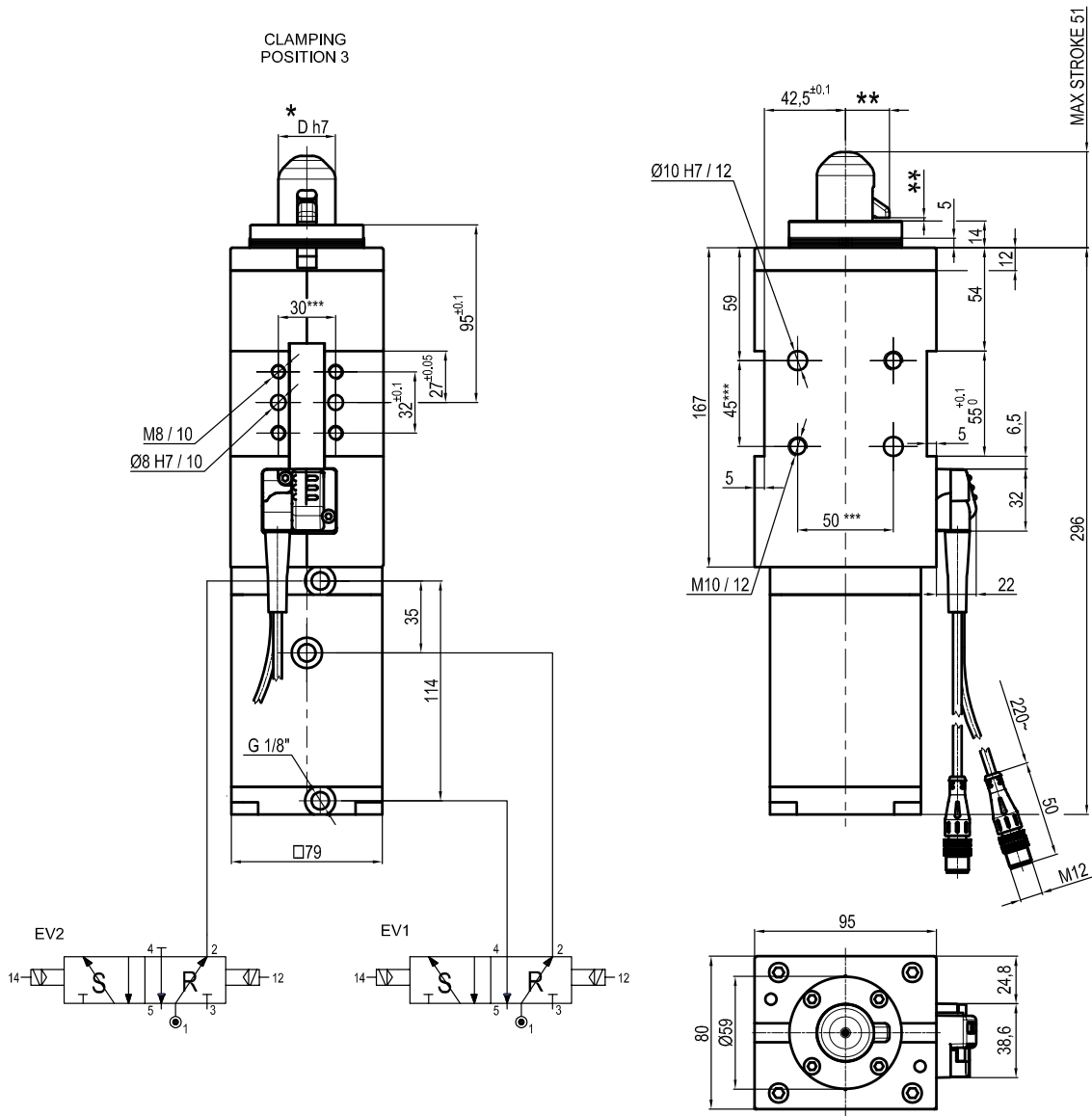
**PIN DIAMETER**  
1 <= Ø19 mm  
2 = Ø20 mm  
3 = Ø25 mm  
4 = Ø30 mm  
5 = Ø35 mm  
6 = Ø40 mm

7

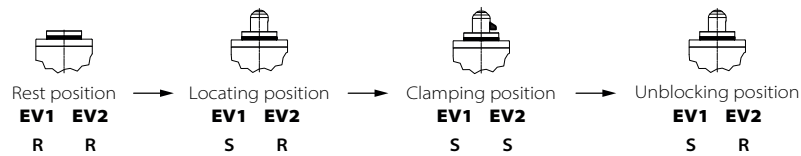
**LOCATING PIN**  
1 = Locating pin included

8

**PROGRESSIVE NUMBERING**  
Progressive numbers for special products are assigned by the Sales Department



\*\* MISSING DIMENSION TO BE DEFINED ACCORDING TO CUSTOMER SPECIFICATIONS  
 \*\*\* TOLERANCE BETWEEN DOWEL HOLES ± 0,02, BETWEEN SCREW HOLES ± 0,1



*Pin Option	ØD
1	≤19
2	20
3	25
4	30
5	35
6	40

### Sensors

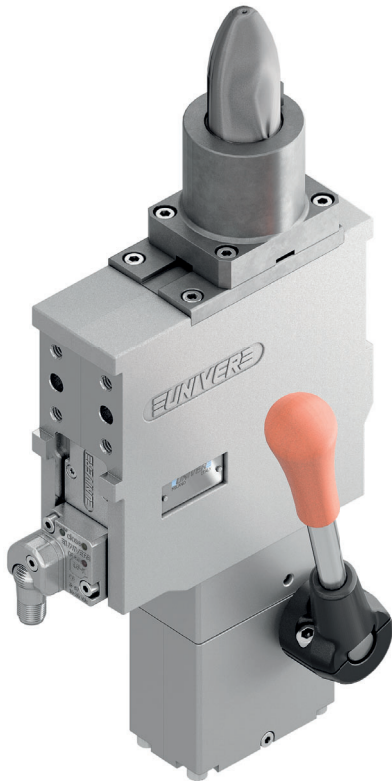


Electronic  
 DF-LUP

# USL 50

Manual pin clamp, Ø50 mm

Manual pin clamp mainly designed for centering and clamping metal sheets in BIW underbody applications



- Integrated compensation up to 2,3 mm
- Double metal scraper for protection against dust and welding debris
- Toggle-joint mechanism
- High wear resistance steel pin
- Electronic sensor
- Hook position: 0/180°
- Ergonomic hand lever
- Available version with plate machined from solid (no shimming)

## CHARACTERISTICS

Operating temperature	5° ÷ 45° C
Min./Max. Operating pressure	0,4 / 0,6 MPa
Bore Ø	50 mm
Clamping force	3500 N
Weight (without plate, pin and hook)	3,6 kg
Sensor	electronic (optical)
Supply voltage	10 ÷ 30 Vdc
IP code	IP 65

6

## CODIFICATION KEY

US	L	50	J	3	1	-	K	0	
1	2	3	4	5	6	7	8	9	10



IRREVERSIBLE



LIGHTWEIGHT



COMPENSATION



METAL SCRAPER



OPTICAL SENSOR



HIGH REPEATABILITY

1

### SERIES

US = UNICLAMP Pin clamp with compensation

2

### VERSION

L = Manual with hand lever

3

### SIZE

50 = Ø50 mm

4

### MODEL

J = Standard

5

### PIN DIAMETER

1 < = Ø18 mm  
 2 = Ø20 mm  
 3 = Ø25 mm  
 4 = Ø30 mm  
 5 = Ø35 mm  
 6 = Ø40 mm

For pin Ø outside the mentioned range, please contact our sales department

6

### LOCATING PIN

0 = Locating pin not included  
 1 = Locating pin included

7

### PROGRESSIVE NUMBERING

Progressive numbers for special products are assigned by the Sales Department

8

### SENSOR

N = No sensor (with protection plate)  
 K = Electronic sensor PNP, M12 (DF-K)  
 J = Electronic sensor NPN, optical (DF-J)  
 Y = Electronic sensor PNP, M12 (DF-Y) white LED

9

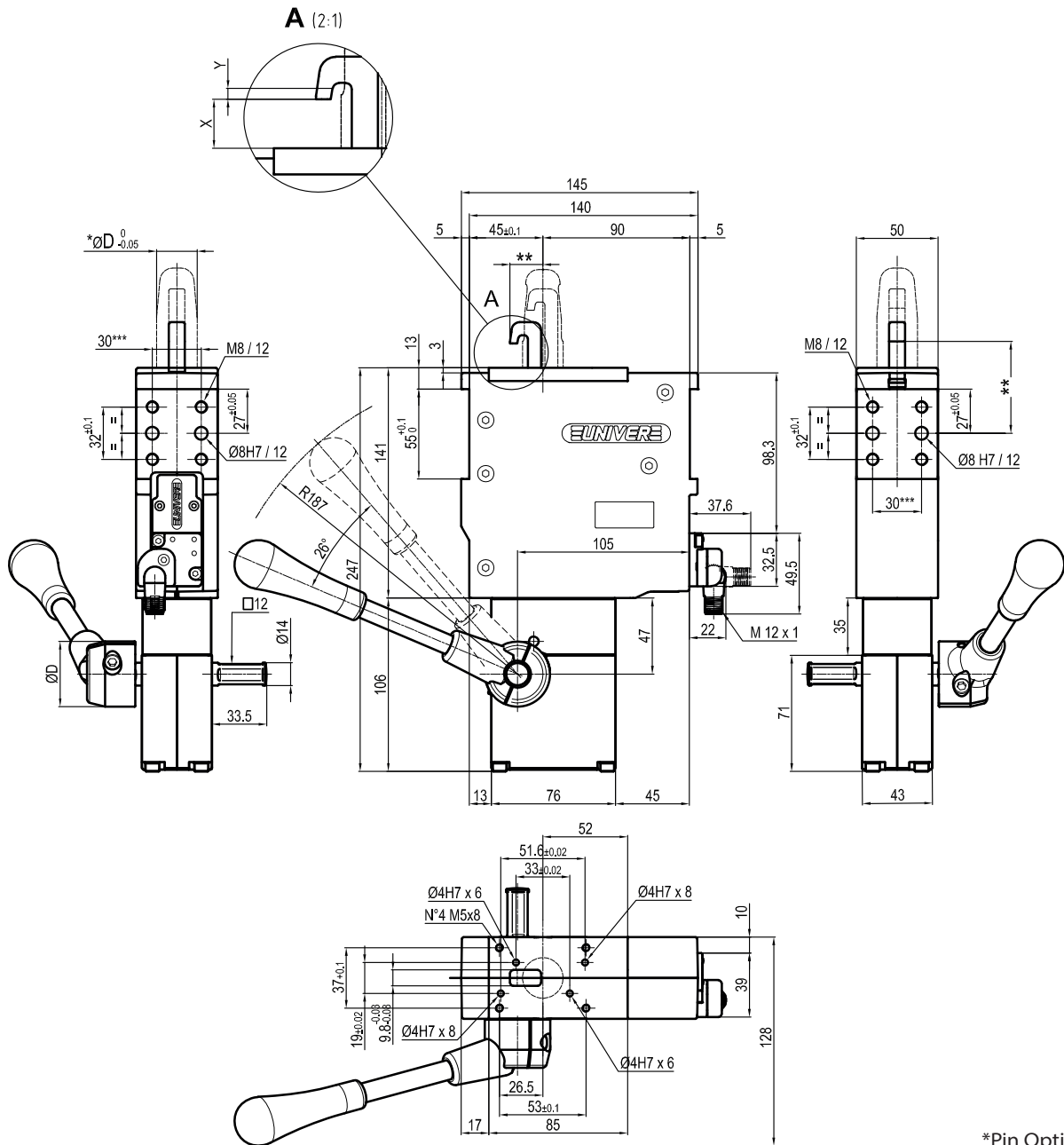
### PRODUCT REVISION

Assigned by UNIVERE

10

### ATEX

X = ATEX option  
 See ATEX Catalogue for types and versions



X = Metal sheet  
 Y = Clamping range (X + 2,3 mm Max.)  
 VERSION WITHOUT PIN AND HOOK AVAILABLE UPON REQUEST  
 \*\* MISSING DIMENSION TO BE DEFINED ACCORDING TO CUSTOMER SPECIFICATIONS  
 \*\*\* TOLERANCE BETWEEN DOWEL HOLES ± 0,02, BETWEEN SCREW HOLES ± 0,1

*Pin Option	ØD
1	18
2	20
3	25
4	30
5	35
6	40

### Sensors



Electronic (optical)

- DF-K PNP M12
- DF-J NPN M12
- DF-Y PNP M12 White LED

### Accessories



Handlever

UBF255063