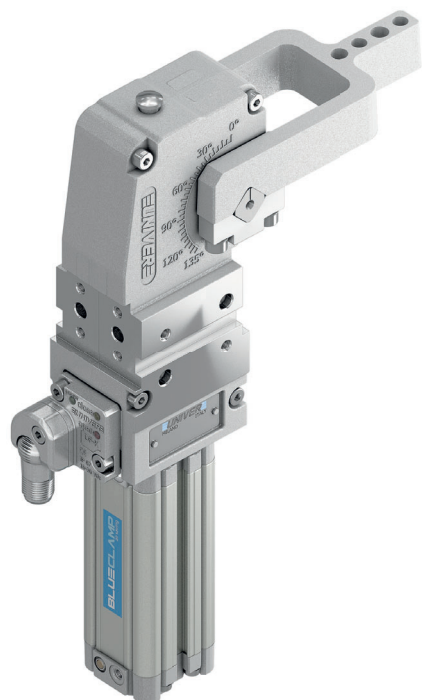


UABP 32

Air saving pneumatic power clamps size 32

AIR SAVING pneumatic power clamps with compensation system, toggle-joint mechanism and stepless adjustable opening angle. The special construction enables a relevant reduction in Air consumption, without affecting standard performances required from the market.

- Air consumption saving up to 39%
- Reduced dimensions compared to standard power clamps
- Version with hand lever available
- Fully optical electronic sensor
- Fixing pattern on 4 sides
- Manual unlocking in case of air loss
- Self-holding system for open position available
- Clamping arm in aluminium



CHARACTERISTICS

Operating temperature	5° ÷ 45° C
Min./Max. Operating pressure	0,4 / 0,6 MPa
Opening angle*	0° ÷ 135°
Size	32
Cylinder bore Ø	25 mm
Holding moment	250 Nm
Clamping moment (0,5 MPa)	50 Nm
Weight (clamping arm not included)	1,2 Kg
Pneumatic supply ports	M5
Sensor	electronic (optical)
Supply voltage	10 ÷ 30 Vdc
IP code	IP65

*The opening angle range may vary according to the arm position and style.

CODIFICATION KEY

UA	B	P	32	O	E	A	K	0	
1	2	3	4	5	6	7	8	9	10



AIR SAVING



COMPENSATION



LIGHTWEIGHT



IRREVERSIBLE



ANGLE ADJUSTMENT



OPTICAL SENSOR

1 SERIES
UA = BLUECLAMP Power clamps
air saving

2 STANDARD
B = European standard

3 VERSION
P = Pneumatic

4 SIZE
32 = Size 32 (Cylinder Ø25 mm)

5 ARM POSITION

V = 90°



O = 180°



N = No arm



6 ARM STYLE
B = Central, 0 mm offset
C = Central, 10 mm offset
E = Central, 25 mm offset
N = No arm
For other versions contact our Sales Dept.

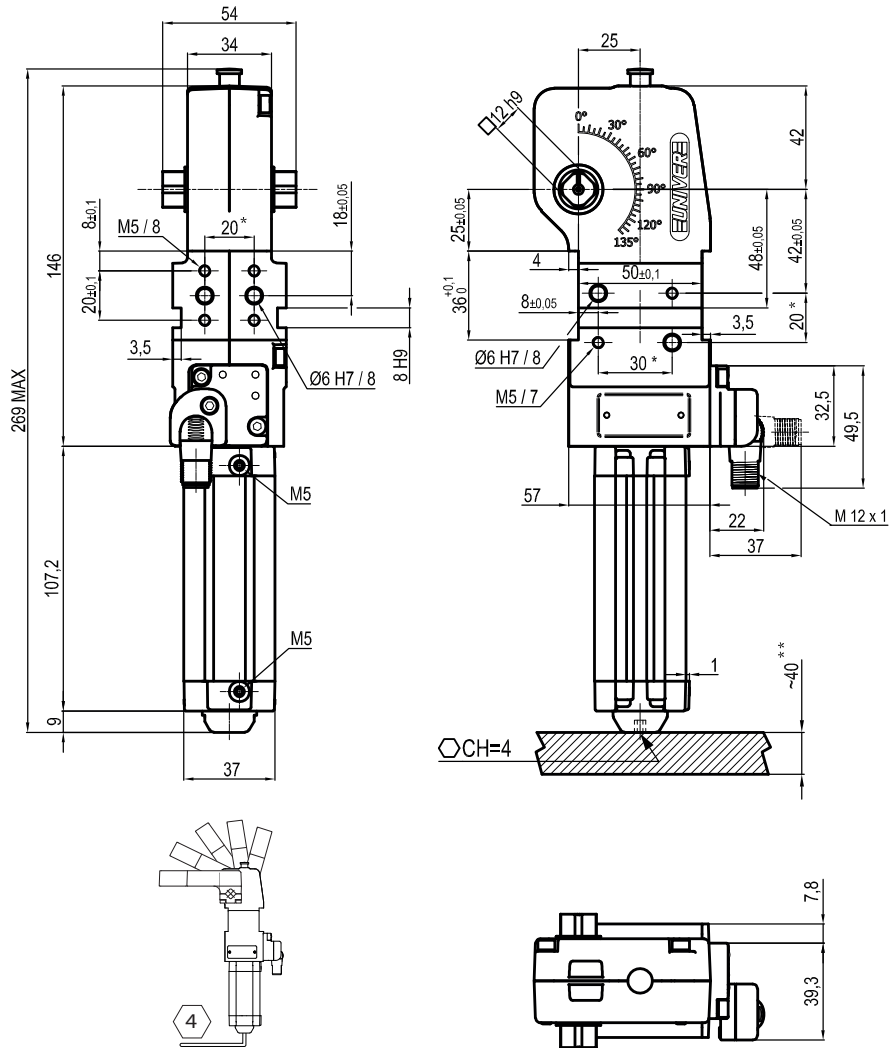
7 ARM TYPE
A = Aluminium
N = No arm

8 SENSOR
N = No sensor (with protection plate)
K = Electronic sensor PNP (M12) (DF-K)
J = Electronic sensor NPN (optical) (DF-J)
Y = Electronic sensor PNP (M12) (DF-Y) white LED

9 PRODUCT REVISION
Assigned by UNIVER

10 ATEX
X = ATEX option
See ATEX Catalogue for types and versions

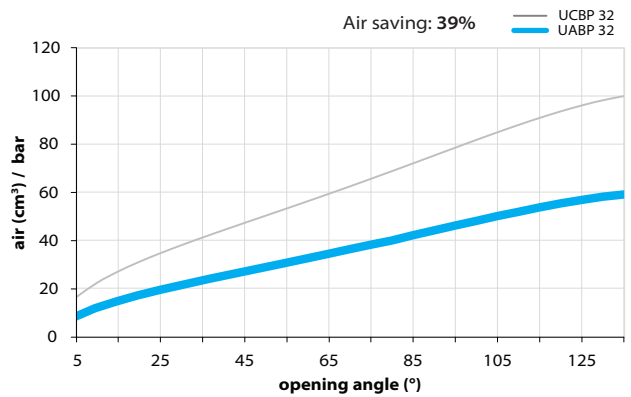
2



*TOLERANCE BETWEEN DOWELS $\pm 0,02$ BETWEEN SCREW HOLES $\pm 0,1$
 **AREA TO ACCESS ANGLE ADJUSTMENT

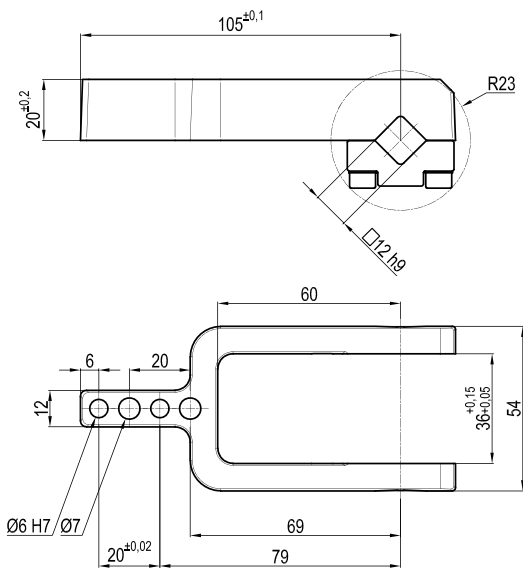
Air Consumption per Cycle

Compared with standard version

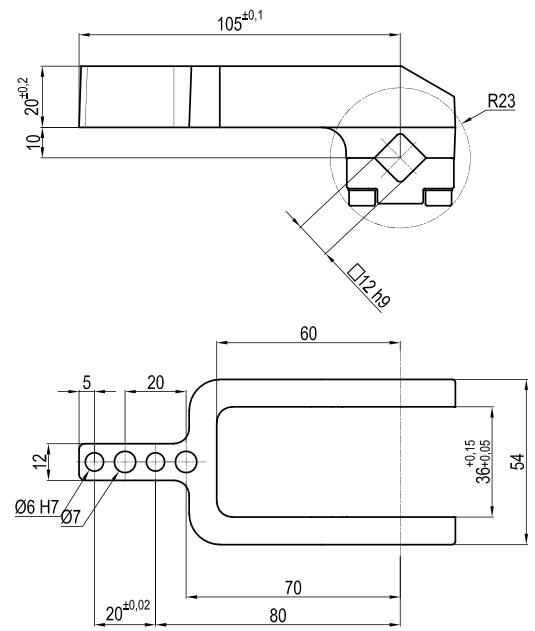


Clamping Arms

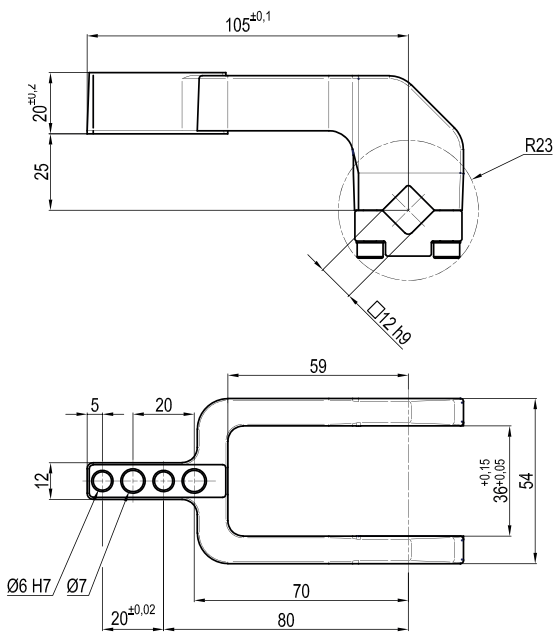
Arm Offset 0mm



Arm Offset 10mm



Arm Offset 25mm



Armcode	Offset	Material	Arm style	Weight (Kg)	Opening angle (90°)	Opening angle (180°)
LKP32B	0	ALUMINIUM	CENTRAL	0,15	0±135°	0±105°
LKP32C	10	ALUMINIUM	CENTRAL	0,15	0±135°	0±120°
LKP32E	25	ALUMINIUM	CENTRAL	0,15	0±135°	0±125°

Sensors



Electronic (optical)

- DF-K PNP M12
- DF-J NPN M12
- DF-Y PNP M12 White LED

Accessories



Self holding system

UBK46P12

UABP 40

Air saving pneumatic power clamps size 40

AIR SAVING pneumatic power clamps with compensation system, toggle-joint mechanism and stepless adjustable opening angle. The special construction enables a relevant reduction in air consumption, without affecting standard performances required from the market.

- Air consumption saving up to 37%
- Reduced dimensions compared to standard power clamps
- Integrated compensation
- Version with hand lever available
- Fully optical electronic sensor
- Fixing pattern on 4 sides
- Manual unlocking in case of air loss
- Self-holding system for open position available
- Clamping arm in aluminium or steel

CHARACTERISTICS

Operating temperature	5° ÷ 45° C
Min./Max. Operating pressure	0,4 / 0,6 MPa
Opening angle*	0° ÷ 135°
Size	40
Cylinder bore Ø	32 mm
Holding moment	600 Nm
Clamping moment (0,5 MPa)	125 Nm
Weight (clamping arm not included)	1,4 Kg
Pneumatic supply ports	G1/8
Sensor	electronic (optical)
Supply voltage	10 ÷ 30 Vdc
IP code	IP65

*The opening angle range may vary according to the arm position and style.

CODIFICATION KEY

UA	B	P	40	O	E	A	K	0	
1	2	3	4	5	6	7	8	9	10



AIR SAVING



COMPENSATION



LIGHTWEIGHT



IRREVERSIBLE



ANGLE ADJUSTMENT



OPTICAL SENSOR

1 SERIES
UA = BLUECLAMP Power clamps air saving

2 STANDARD
B = European standard

3 VERSION
P = Pneumatic

4 SIZE
40 = Size 40 (Cylinder Ø32 mm)

5 ARM POSITION

V = 90°



O = 180°



N = No arm



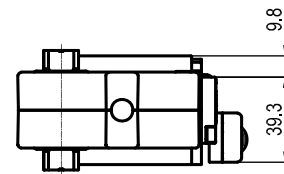
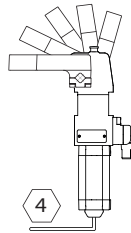
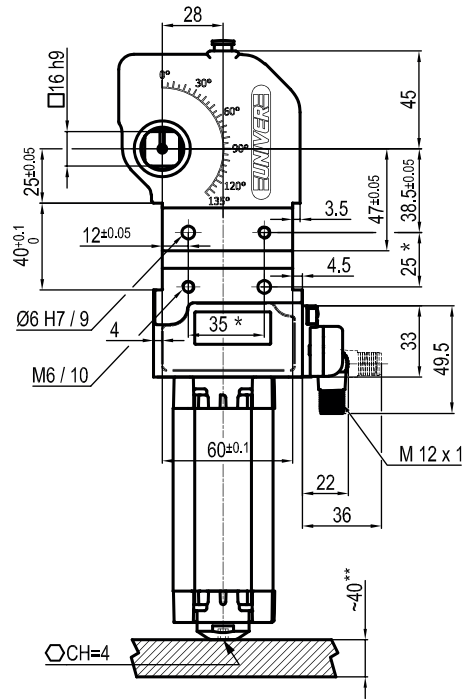
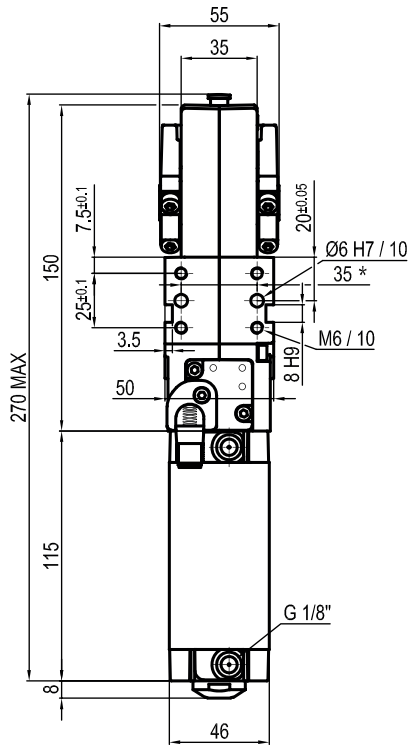
6 ARM STYLE
C = Central, 15 mm offset
D = Right, 15 mm offset
S = Right, 15 mm offset
E = Central, 45 mm offset
F = Central, 45 mm offset
L = Central, 45 mm offset
N = No arm
For other versions contact our Sales Dept.

7 ARM TYPE
A = Aluminium
S = Steel
N = No arm

8 SENSOR
N = No sensor (with protection plate)
K = Electronic sensor PNP (M12) (DF-K)
J = Electronic sensor NPN (optical) (DF-J)
Y = Electronic sensor PNP (M12) (DF-Y) white LED

9 PRODUCT REVISION
Assigned by UNIVER

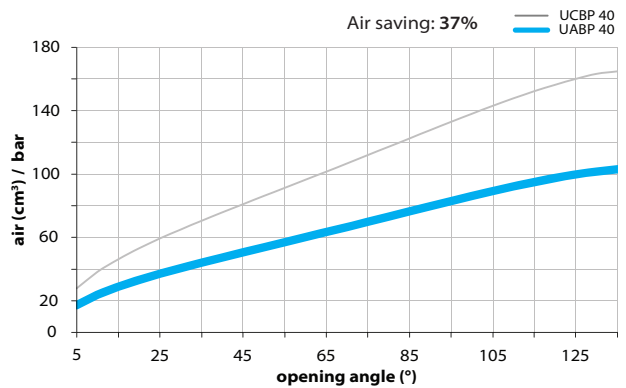
10 ATEX
X = ATEX option
See ATEX Catalogue for types and versions



*TOLERANCE BETWEEN DOWELS $\pm 0,02$ BETWEEN SCREW HOLES $\pm 0,1$
 **AREA TO ACCESS ANGLE ADJUSTMENT

Air Consumption per Cycle

Compared with standard version

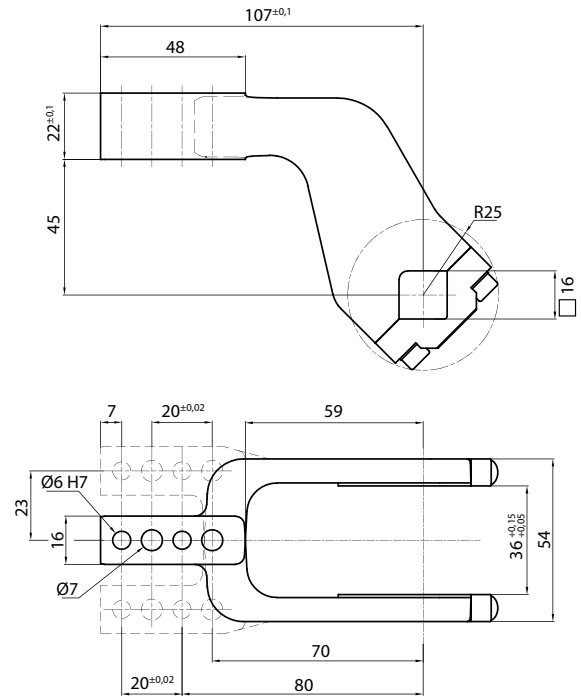
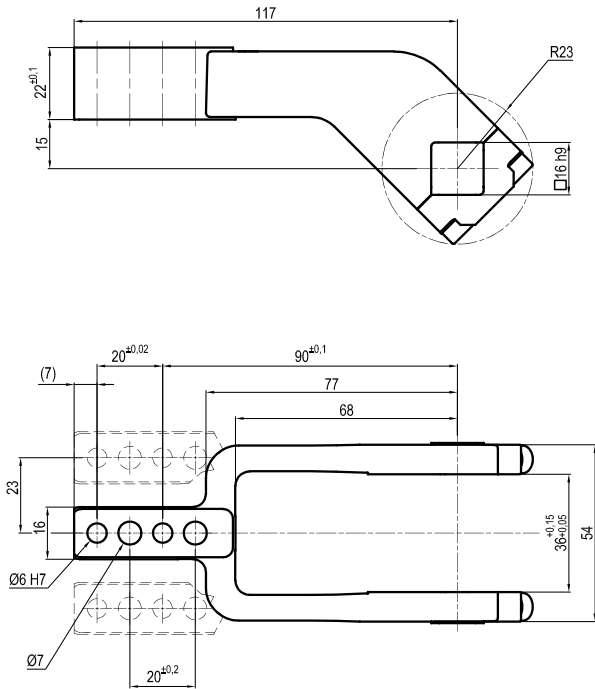


Clamping Arms

Arm Offset 15mm

Arm Offset 45mm

2



Armcode	Offset	Material	Arm style	Weight (Kg)	Opening angle (90°)	Opening angle (180°)
LKP01CST	15	ALUMINIUM	CENTRAL	0,2	0÷135°	0÷125°
LKP01DST	15	ALUMINIUM	RIGHT	0,2	0÷135°	0÷125°
LKP01SST	15	ALUMINIUM	LEFT	0,2	0÷135°	0÷125°
UP120151441S	15	STEEL	CENTRAL	0,4	0÷135°	0÷125°
UP120151442S	15	STEEL	RIGHT	0,4	0÷135°	0÷125°
UP120151443S	15	STEEL	LEFT	0,4	0÷135°	0÷125°
UKP01E	45	ALUMINIUM	CENTRAL	0,25	0÷125°	0÷135°
UKP01F	45	ALUMINIUM	RIGHT	0,25	0÷125°	0÷135°
UKP01L	45	ALUMINIUM	LEFT	0,25	0÷125°	0÷135°
UKP01ES	45	STEEL	CENTRAL	0,4	0÷125°	0÷135°
UKP01FS	45	STEEL	RIGHT	0,4	0÷125°	0÷135°
UKP01LS	45	STEEL	LEFT	0,4	0÷125°	0÷135°

Sensors

Accessories



Electronic (optical)

- DF-K PNP M12
- DF-J NPN M12
- DF-Y PNP M12 White LED



Self holding system

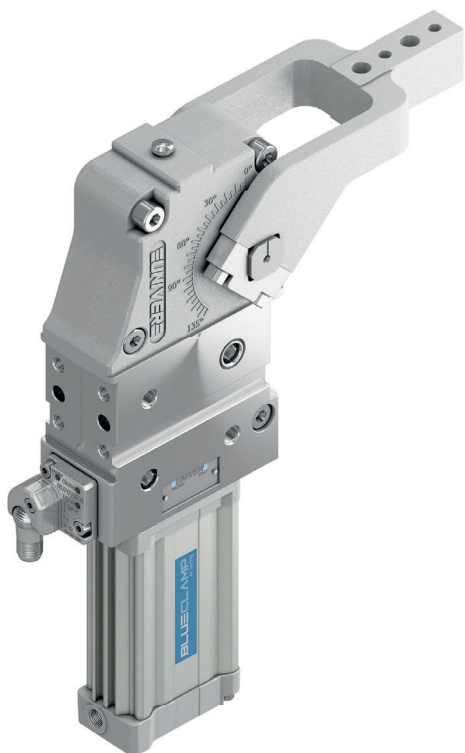
- UBK46P16 For arm 15 offset
- UBK46P16-45 For arm 45 offset

UABP 50

Air saving pneumatic power clamps size 50

AIR SAVING pneumatic power clamps with compensation system, toggle-joint mechanism and stepless adjustable opening angle. The special construction enables a relevant reduction in air consumption, without affecting standard performances required from the market.

- Air consumption saving up to 35%
- Reduced dimensions compared to standard power clamps
- Integrated compensation
- Version with hand lever available
- Fully optical electronic sensor
- Fixing pattern on 4 sides
- Manual unlocking in case of air loss
- Self-holding system for open position available
- Clamping arm in aluminium or steel



CHARACTERISTICS

Operating temperature	5° ÷ 45° C
Min./Max. Operating pressure	0,4 / 0,6 MPa
Opening angle*	0° ÷ 135°
Size	50
Cylinder bore Ø	40 mm
Holding moment	1250 Nm
Clamping moment (0,5 MPa)	170 Nm
Weight (clamping arm not included)	2,3 Kg
Pneumatic supply ports	G1/4 on both sides
Sensor	electronic (optical)
Supply voltage	10 ÷ 30 Vdc
IP code	IP65

*The opening angle range may vary according to the arm position and style.

CODIFICATION KEY

UA	B	P	50	O	E	A	K	0	
1	2	3	4	5	6	7	8	9	10



AIR SAVING



COMPENSATION



LIGHTWEIGHT



IRREVERSIBLE



ANGLE ADJUSTMENT



OPTICAL SENSOR



COMPACT

1 SERIES
UA = BLUECLAMP Power clamps air saving

2 STANDARD
B = European standard

3 VERSION
P = Pneumatic

4 SIZE
50 = Size 50 (Cylinder Ø40 mm)

5 ARM POSITION

V = 90°



O = 180°



N = No arm



6 ARM STYLE
C = Central, 15 mm offset
D = Right, 15 mm offset
S = Right, 15 mm offset
E = Central, 45 mm offset
F = Central, 45 mm offset
L = Central, 45 mm offset
N = No arm
For other versions contact our Sales Dept.

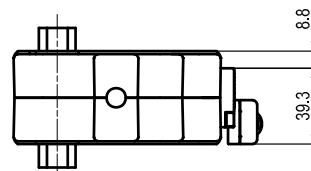
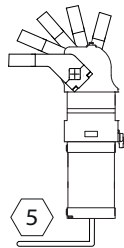
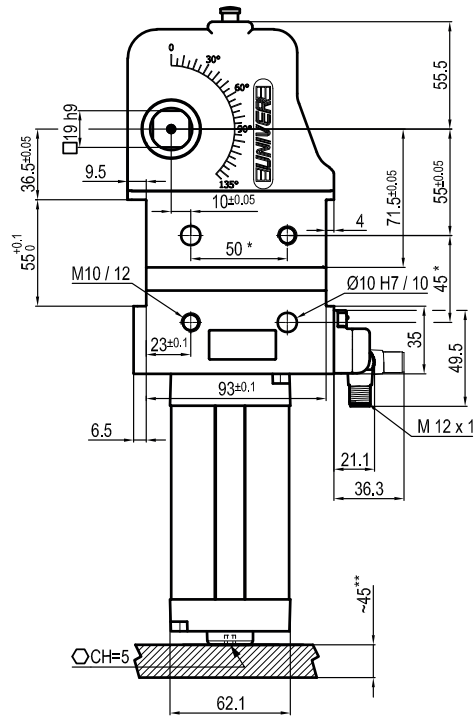
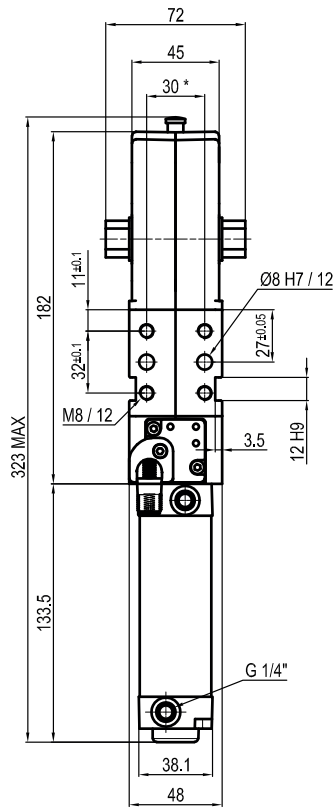
7 ARM TYPE
A = Aluminium
S = Steel
N = No arm

8 SENSOR
N = No sensor (with protection plate)
K = Electronic sensor PNP (M12) (DF-K)
J = Electronic sensor NPN (optical) (DF-J)
Y = Electronic sensor PNP (M12) (DF-Y) white LED

9 PRODUCT REVISION
Assigned by UNIVER

10 ATEX
X = ATEX option
See ATEX Catalogue for types and versions

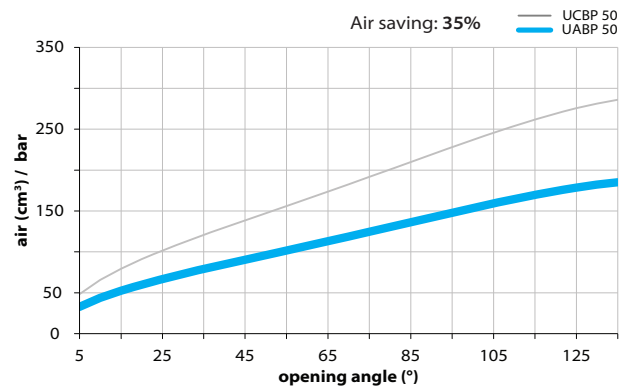
2



*TOLERANCE BETWEEN DOWELS ± 0,02 BETWEEN SCREW HOLES ± 0,1
 **AREA TO ACCESS ANGLE ADJUSTMENT

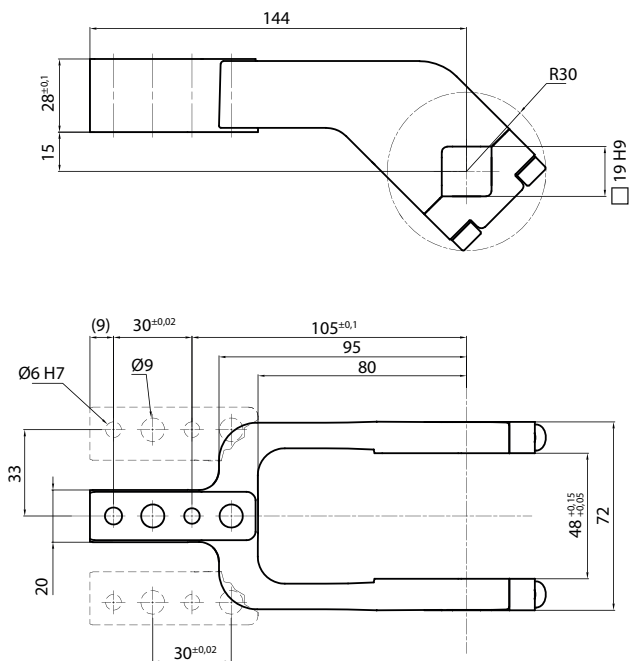
Air Consumption per Cycle

Compared with standard version

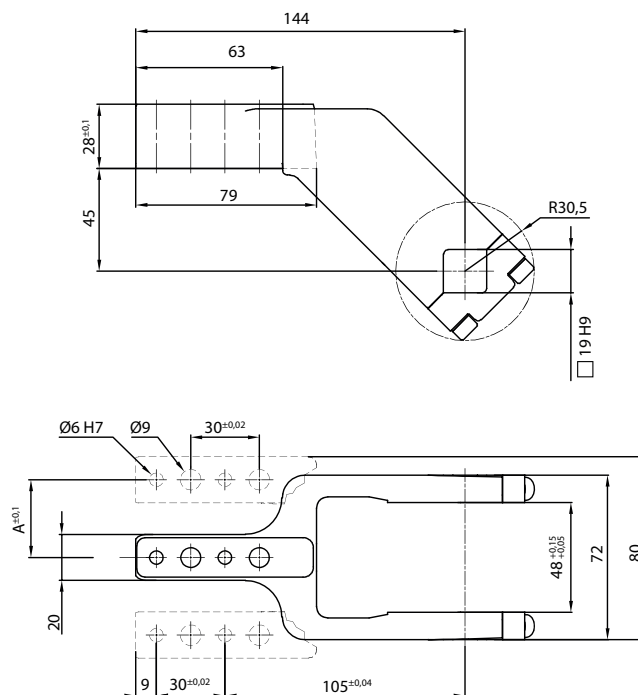


Clamping Arms

Arm Offset 15mm



Arm Offset 45mm



Armcode	Offset	Material	Arm style	Weight (Kg)	Opening angle (90°)	Opening angle (180°)
LKP00CL	15	ALUMINIUM	CENTRAL	0,4	0±135°	0±105°
LKP00DL	15	ALUMINIUM	RIGHT	0,4	0±135°	0±105°
LKP00SL	15	ALUMINIUM	LEFT	0,4	0±135°	0±105°
UP210151441G	15	STEEL	CENTRAL	0,8	0±135°	0±105°
UP210151442G	15	STEEL	RIGHT	0,8	0±135°	0±105°
UP210151443G	15	STEEL	LEFT	0,8	0±135°	0±105°
UKP5063E	45	ALUMINIUM	CENTRAL	0,45	0±135°	0±135°
UKP50F	45	ALUMINIUM	RIGHT	0,45	0±135°	0±135°
UKP50L	45	ALUMINIUM	LEFT	0,45	0±135°	0±135°
UKP5063ES	45	STEEL	CENTRAL	1,16	0±135°	0±135°
UKP50FS	45	STEEL	RIGHT	1,16	0±135°	0±135°
UKP50LS	45	STEEL	LEFT	1,16	0±135°	0±135°

Sensors



Electronic (optical)

- DF-K PNP M12
- DF-J NPN M12
- DF-Y PNP M12 White LED

Accessories



Self holding system

UBK46P19

UABP 63

Air saving pneumatic power clamps size 63

AIR SAVING pneumatic power clamps with compensation system, toggle-joint mechanism and stepless adjustable opening angle. The special construction enables a relevant reduction in air consumption, without affecting standard performances required from the market.

- Air consumption saving up to 27%
- Reduced dimensions compared to standard power clamps
- Integrated compensation
- Version with hand lever available
- Fully optical electronic sensor
- Fixing pattern on 4 sides
- Manual unlocking in case of air loss
- Self-holding system for open position available
- Clamping arm in aluminium or steel

CHARACTERISTICS

Operating temperature	5° ÷ 45° C
Min./Max. Operating pressure	0,4 / 0,6 MPa
Opening angle*	0° ÷ 135°
Size	63
Cylinder bore Ø	50 mm
Holding moment	1750 Nm
Clamping moment (0,5 MPa)	380 Nm
Weight (clamping arm not included)	3,2 Kg
Pneumatic supply ports	G1/4 on both sides
Sensor	electronic (optical)
Supply voltage	10 ÷ 30 Vdc
IP code	IP65

*The opening angle range may vary according to the arm position and style.

CODIFICATION KEY

UA	B	P	63	O	E	A	K	0	
1	2	3	4	5	6	7	8	9	10



AIR SAVING



COMPENSATION



LIGHTWEIGHT



IRREVERSIBLE



ANGLE ADJUSTMENT



OPTICAL SENSOR



COMPACT

1 SERIES
UA = BLUECLAMP Power clamps air saving

2 STANDARD
B = European standard

3 VERSION
P = Pneumatic

4 SIZE
63 = Size 63 (Cylinder Ø50 mm)

5 ARM POSITION

V = 90°



O = 180°



N = No arm



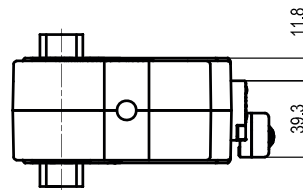
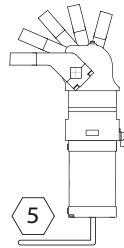
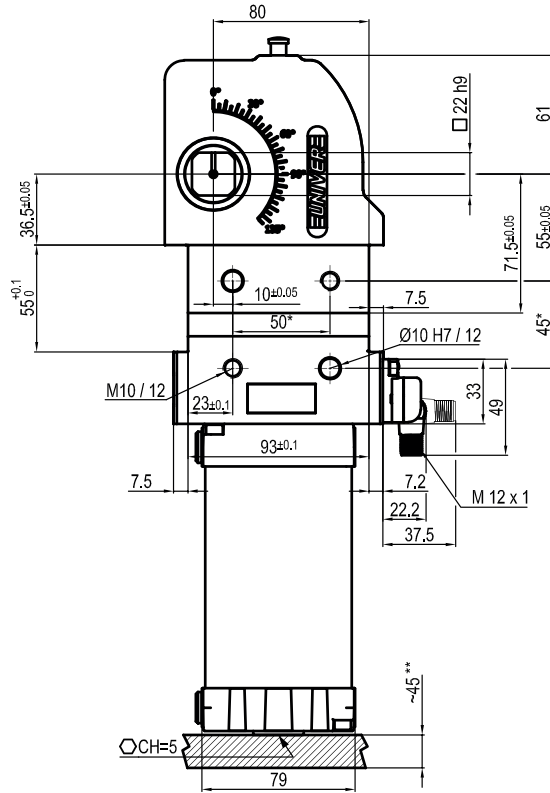
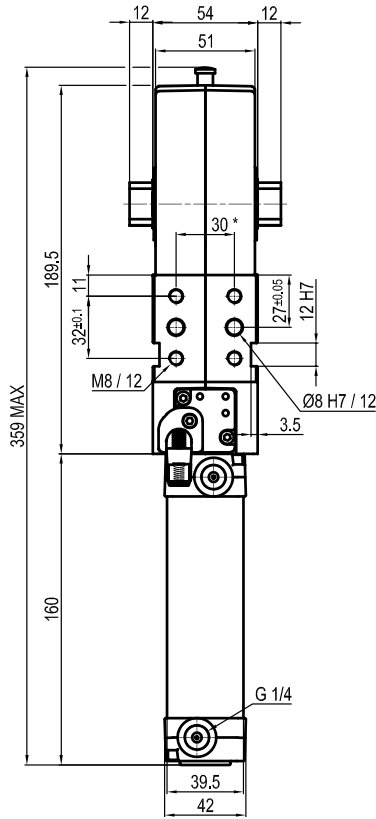
6 ARM STYLE
C = Central, 15 mm offset
D = Right, 15 mm offset
S = Left, 15 mm offset
E = Central, 45 mm offset
F = Right, 45 mm offset
L = Left, 45 mm offset
N = No arm
For other versions contact our Sales Dept.

7 ARM TYPE
A = Aluminium
S = Steel
N = No arm

8 SENSOR
N = No sensor (with protection plate)
K = Electronic sensor PNP (M12) (DF-K)
J = Electronic sensor NPN (optical) (DF-J)
Y = Electronic sensor PNP (M12) (DF-Y) white LED

9 PRODUCT REVISION
Assigned by UNIVER

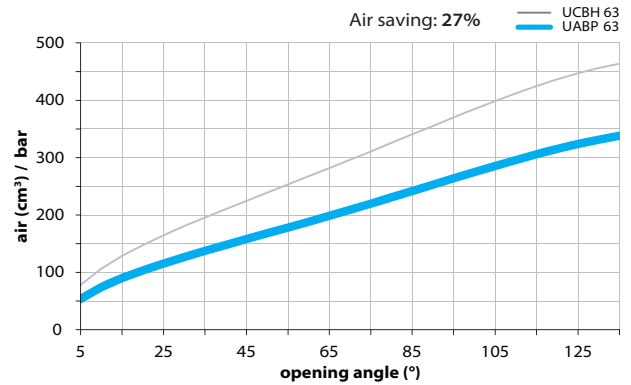
10 ATEX
X = ATEX option
See ATEX Catalogue for types and versions



*TOLERANCE BETWEEN DOWELS ± 0,02 BETWEEN SCREW HOLES ± 0,1
 **AREA TO ACCESS ANGLE ADJUSTMENT

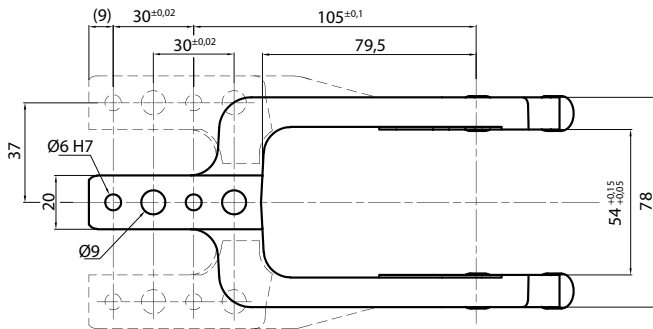
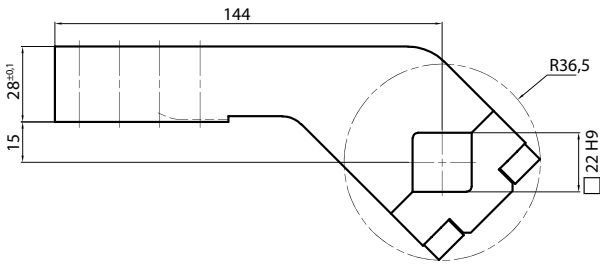
Air Consumption per Cycle

Compared with standard version

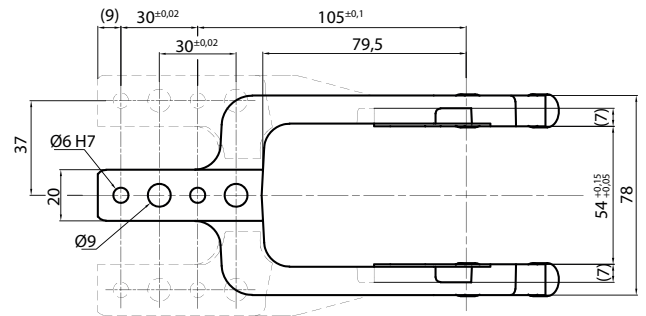
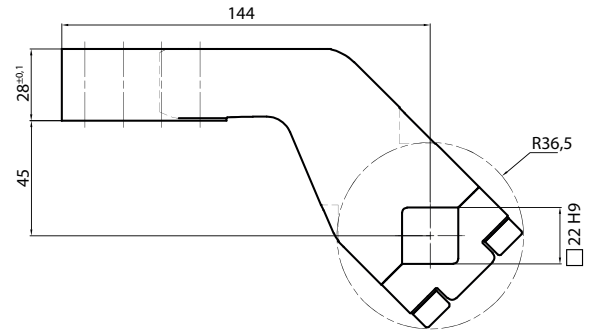


Clamping Arms

Arm Offset 15mm



Arm Offset 45mm



Armcode	Offset	Material	Arm style	Weight (Kg)	Opening angle (90°)	Opening angle (180°)
UP310151441A	15	ALUMINIUM	CENTRAL	0,3	0÷135°	0÷105°
UP310151442A	15	ALUMINIUM	RIGHT	0,3	0÷135°	0÷105°
UP310151443A	15	ALUMINIUM	LEFT	0,3	0÷135°	0÷105°
UP310151441S	15	STEEL	CENTRAL	1,2	0÷135°	0÷105°
UP310151442S	15	STEEL	RIGHT	1,2	0÷135°	0÷105°
UP310151443S	15	STEEL	LEFT	1,2	0÷135°	0÷105°
UP310451441A	45	ALUMINIUM	CENTRAL	0,3	0÷135°	0÷135°
UP310451442A	45	ALUMINIUM	RIGHT	0,3	0÷135°	0÷135°
UP310451443A	45	ALUMINIUM	LEFT	0,3	0÷135°	0÷135°
UP310451441S	45	STEEL	CENTRAL	1,4	0÷135°	0÷135°
UP310451442S	45	STEEL	RIGHT	1,4	0÷135°	0÷135°
UP310451443S	45	STEEL	LEFT	1,4	0÷135°	0÷135°

Sensors



Electronic (optical)

- DF-K PNP M12
- DF-J NPN M12
- DF-Y PNP M12 White LED

Accessories



Self holding system

UBK46P22

UABP 80

Air saving pneumatic power clamps size 80

AIR SAVING pneumatic power clamps with compensation system, toggle-joint mechanism and stepless adjustable opening angle. The special construction enables a relevant reduction in air consumption, without affecting standard performances required from the market.

- Air consumption saving up to 38%
- Reduced dimensions compared to standard power clamps
- Integrated compensation
- Version with hand lever available
- Fully optical electronic sensor
- Fixing pattern on 4 sides
- Manual unlocking in case of air loss
- Self-holding system for open position available
- Clamping arm in aluminium or steel

CHARACTERISTICS

Operating temperature	5° ÷ 45° C
Min./Max. Operating pressure	0,4 / 0,6 MPa
Opening angle*	0° ÷ 135°
Size	80
Cylinder bore Ø	63 mm
Holding moment	4000 Nm
Clamping moment (0,5 MPa)	880 Nm
Weight (clamping arm not included)	7 Kg
Pneumatic supply ports	G1/4 on both sides
Sensor	electronic (optical)
Supply voltage	10 ÷ 30 Vdc
IP code	IP65

*The opening angle range may vary according to the arm position and style.

CODIFICATION KEY

UA | B | P | 80 | O | E | A | K | 0 |
1 2 3 4 5 6 7 8 9 10



AIR SAVING



COMPENSATION



LIGHTWEIGHT



IRREVERSIBLE



ANGLE ADJUSTMENT



OPTICAL SENSOR



COMPACT

1 SERIES
UA = BLUECLAMP Power clamps air saving

2 STANDARD
B = European standard

3 VERSION
P = Pneumatic

4 SIZE
80 = Size 80 (Cylinder Ø63 mm)

5 ARM POSITION

V = 90°



O = 180°



N = No arm



6 ARM STYLE
C = Central, 20 mm offset
D = Right, 20 mm offset
S = Right, 20 mm offset
E = Central, 45 mm offset
F = Central, 45 mm offset
L = Central, 45 mm offset
P = Double, 20 mm offset
N = No arm
For other versions contact our Sales Dept.

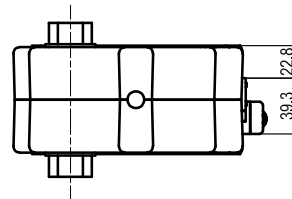
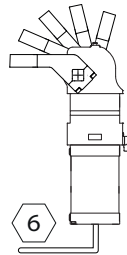
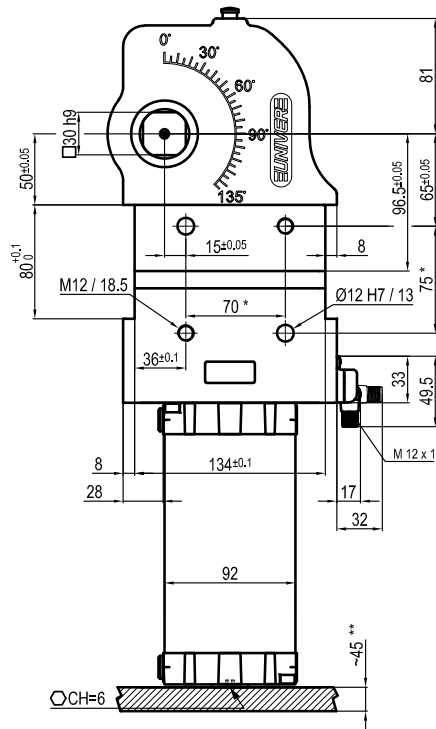
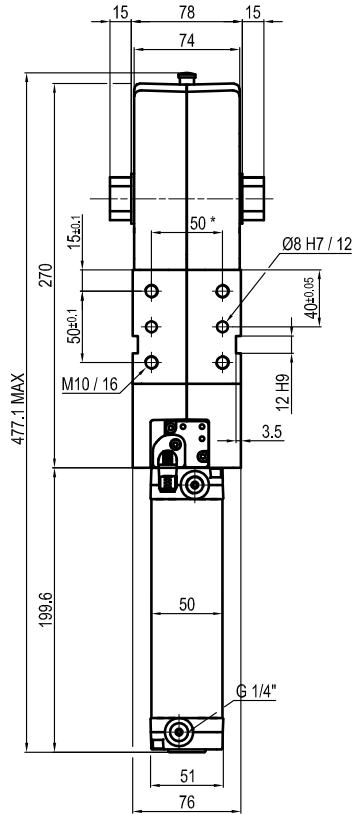
7 ARM TYPE
A = Aluminium
S = Steel
N = No arm

8 SENSOR
N = No sensor (with protection plate)
K = Electronic sensor PNP (M12) (DF-K)
J = Electronic sensor NPN (optical) (DF-J)
Y = Electronic sensor PNP (M12) (DF-Y) white LED

9 PRODUCT REVISION
Assigned by UNIVER

10 ATEX
X = ATEX option
See ATEX Catalogue for types and versions

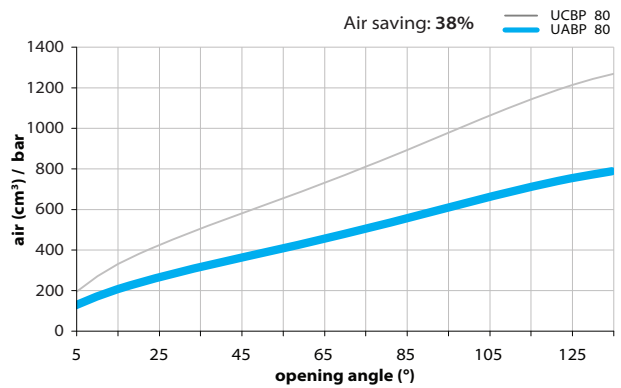
2



*TOLERANCE BETWEEN DOWELS $\pm 0,02$ BETWEEN SCREW HOLES $\pm 0,1$
 **AREA TO ACCESS ANGLE ADJUSTMENT

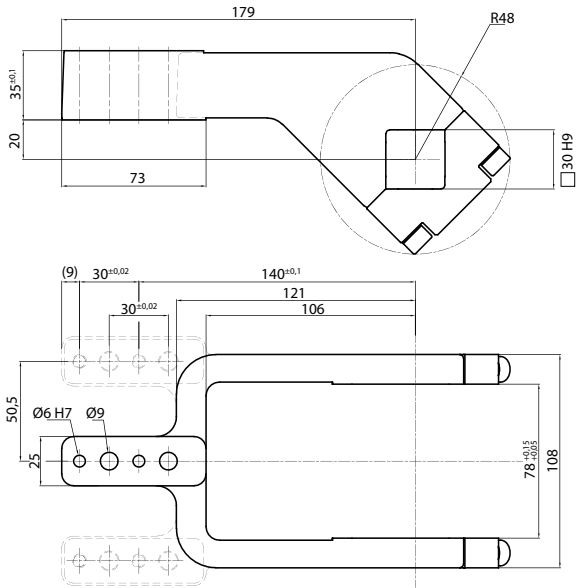
Air Consumption per Cycle

Compared with standard version

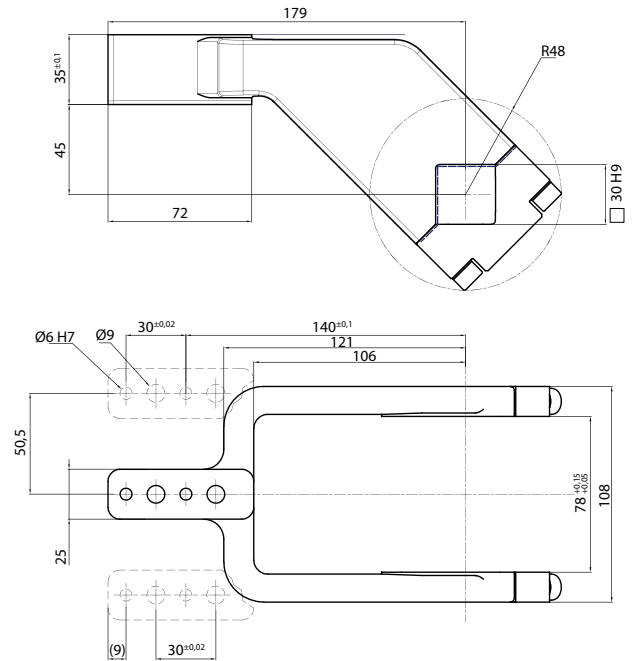


Clamping Arms

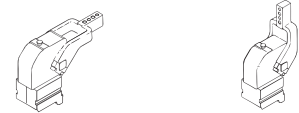
Arm Offset 20mm



Arm Offset 45mm



2



Armcode	Offset	Material	Arm style	Weight (Kg)	Opening angle (90°)	Opening angle (180°)
LKP80C	20	ALUMINIUM	CENTRAL	0,6	0±135°	0±105°
LKP80D	20	ALUMINIUM	RIGHT	0,6	0±135°	0±105°
LKP80S	20	ALUMINIUM	LEFT	0,6	0±135°	0±105°
UKP80CS	20	STEEL	CENTRAL	2,3	0±135°	0±105°
UKP80DS	20	STEEL	RIGHT	2,3	0±135°	0±105°
UKP80SS	20	STEEL	LEFT	2,3	0±135°	0±105°
UKP80E	45	ALUMINIUM	CENTRAL	0,6	0±135°	0±125°
UKP80F	45	ALUMINIUM	RIGHT	0,6	0±135°	0±125°
UKP80L	45	ALUMINIUM	LEFT	0,6	0±135°	0±125°
UKP80ES	45	STEEL	CENTRAL	2,2	0±135°	0±125°
UKP80FS	45	STEEL	RIGHT	2,2	0±135°	0±125°
UKP80LS	45	STEEL	LEFT	2,2	0±135°	0±125°

Sensors



Electronic (optical)

- DF-K PNP M12
- DF-J NPN M12
- DF-Y PNP M12 White LED

Accessories



Self holding system

UBK46P30

UABM 40

Air saving pneumatic power clamps size 40, with hand lever

AIR SAVING Pneumatic power clamps with compensation system, toggle-joint mechanism and stepless adjustable opening angle. The special construction enables a relevant reduction in air consumption, without affecting standard performances required from the market.

- Air consumption saving up to 37%
- Reduced dimensions compared to standard power clamps
- Integrated compensation
- Hand lever mount on both sides
- Fully optical electronic sensor
- Fixing pattern on 4 sides
- Manual unlocking in case of air loss
- Self-holding system for open position available
- Clamping arm in aluminium or steel

CHARACTERISTICS

Operating temperature	5° ÷ 45° C
Min./Max. Operating pressure	0,4 / 0,6 MPa
Opening angle*	0° ÷ 95°
Size	40
Cylinder bore Ø	32 mm
Holding moment	600 Nm
Clamping moment (0,5 MPa)	125 Nm
Weight (clamping arm not included)	1,7 Kg
Pneumatic supply ports	G1/8
Sensor	electronic (optical)
Supply voltage	10 ÷ 30 Vdc
IP code	IP65

*The opening angle range may vary according to the arm position and style.

CODIFICATION KEY

UA	B	M	40	O	E	A	K	0	
1	2	3	4	5	6	7	8	9	10



AIR SAVING



COMPENSATION



LIGHTWEIGHT



IRREVERSIBLE



ANGLE ADJUSTMENT



OPTICAL SENSOR

1

SERIES

UA = BLUECLAMP Power clamps air saving

2

STANDARD

B = European standard

3

VERSION

M = Pneumatic with hand lever

4

SIZE

40 = Size 40 (Cylinder Ø32 mm)

5

ARM POSITION

V = 90°



O = 180°



N = No arm



7

ARM TYPE

A = Aluminium
S = Steel
N = No arm

8

SENSOR

N = No sensor (with protection plate)
K = Electronic sensor PNP (M12) (DF-K)
J = Electronic sensor NPN (optical) (DF-J)
Y = Electronic sensor PNP (M12) (DF-Y) white LED

9

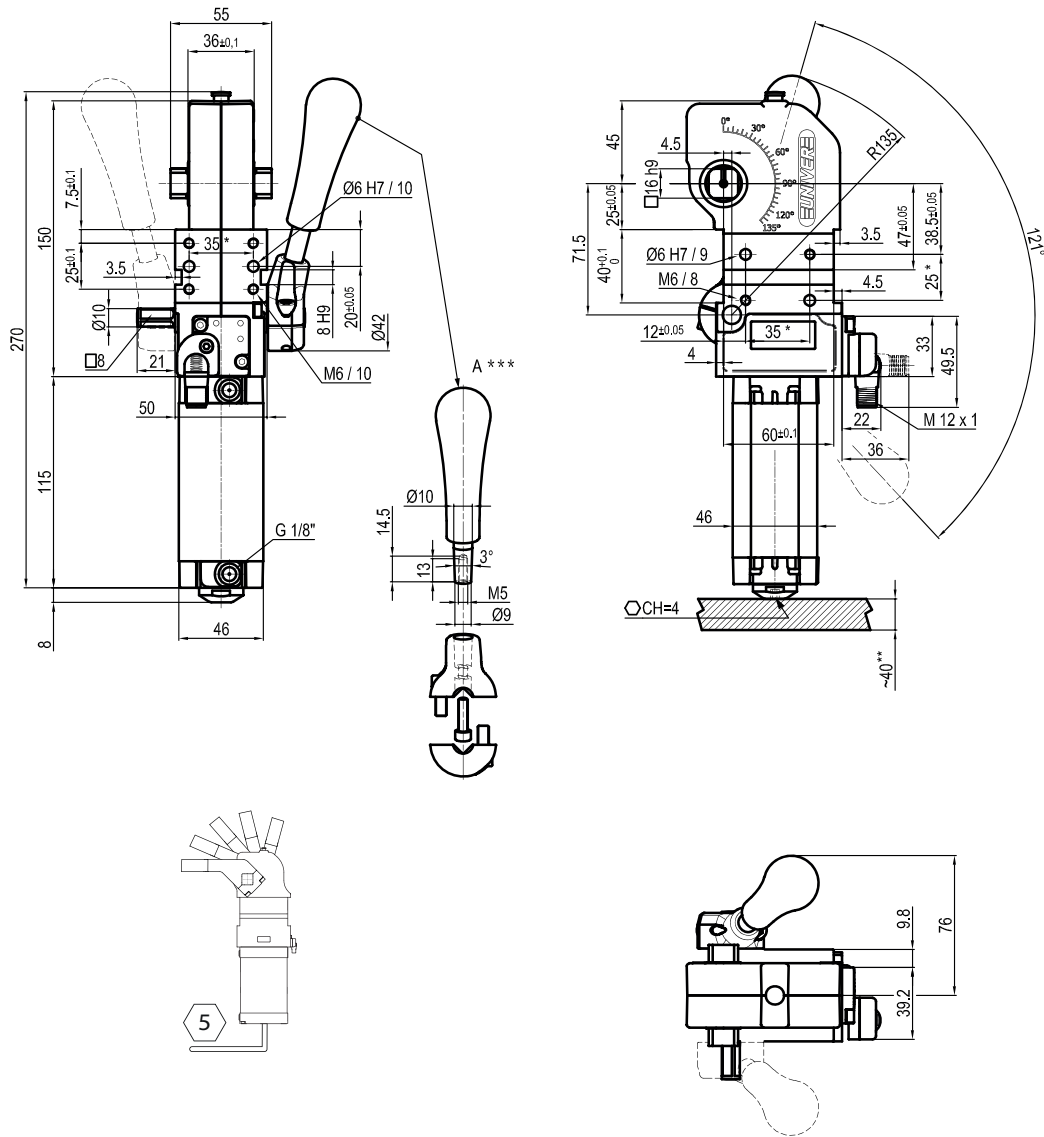
PRODUCT REVISION

Assigned by UNIVER

10

ATEX

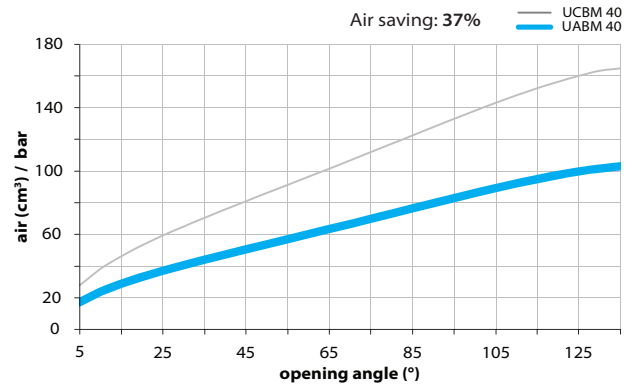
X = ATEX option
See ATEX Catalogue for types and versions



**TOLERANCE BETWEEN DOWELS $\pm 0,02$ BETWEEN SCREW HOLES $\pm 0,1$
 **AREA TO ACCESS ANGLE ADJUSTMENT
 ***DIMENSIONS TO BE RESPECTED IN CASE OTHER MANUAL LEVERS ARE USED

Air Consumption per Cycle

Compared with standard version

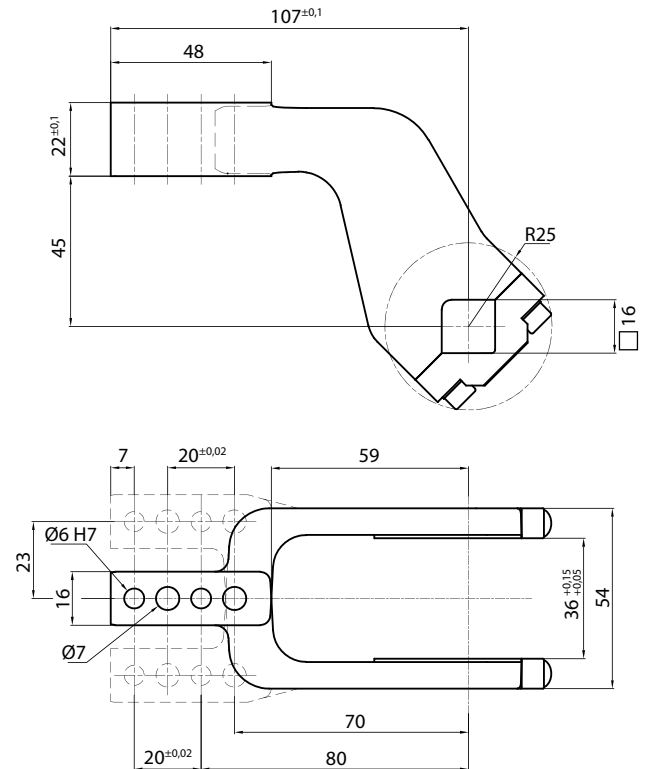
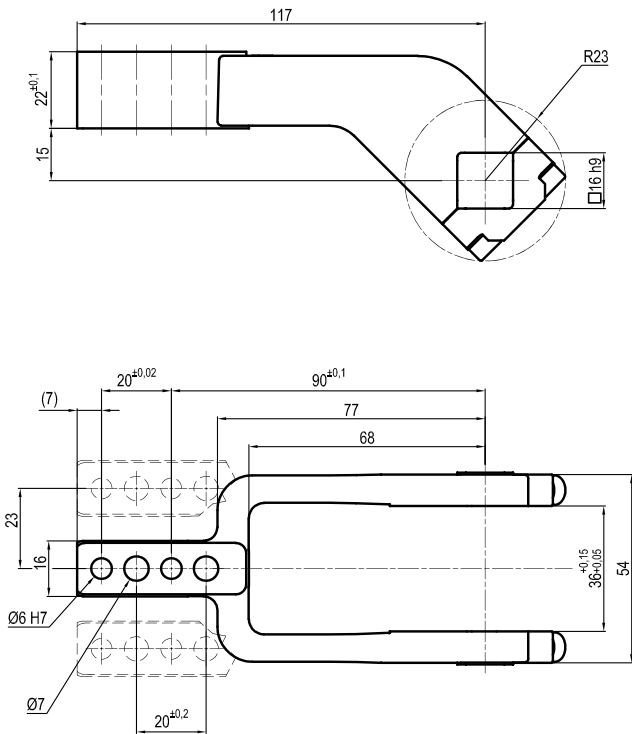


Clamping Arms

Arm Offset 15mm

Arm Offset 45mm

2



Armcode	Offset	Material	Arm style	Weight (Kg)	Opening angle (90°)	Opening angle (180°)
LKP01CST	15	ALUMINIUM	CENTRAL	0,2	0±95°	0±95°
LKP01DST	15	ALUMINIUM	RIGHT	0,2	0±95°	0±95°
LKP01SST	15	ALUMINIUM	LEFT	0,2	0±95°	0±95°
UP120151441S	15	STEEL	CENTRAL	0,4	0±95°	0±95°
UP120151442S	15	STEEL	RIGHT	0,4	0±95°	0±95°
UP120151443S	15	STEEL	LEFT	0,4	0±95°	0±95°
UKP01E	45	ALUMINIUM	CENTRAL	0,25	0±95°	0±95°
UKP01F	45	ALUMINIUM	RIGHT	0,25	0±95°	0±95°
UKP01L	45	ALUMINIUM	LEFT	0,25	0±95°	0±95°
UKP01ES	45	STEEL	CENTRAL	0,4	0±95°	0±95°
UKP01FS	45	STEEL	RIGHT	0,4	0±95°	0±95°
UKP01LS	45	STEEL	LEFT	0,4	0±95°	0±95°

Sensors



Electronic (optical)

DF-K PNP M12
DF-J NPN M12
DF-Y PNP M12 White LED

Accessories



Handlever

UBF2540



Self holding system

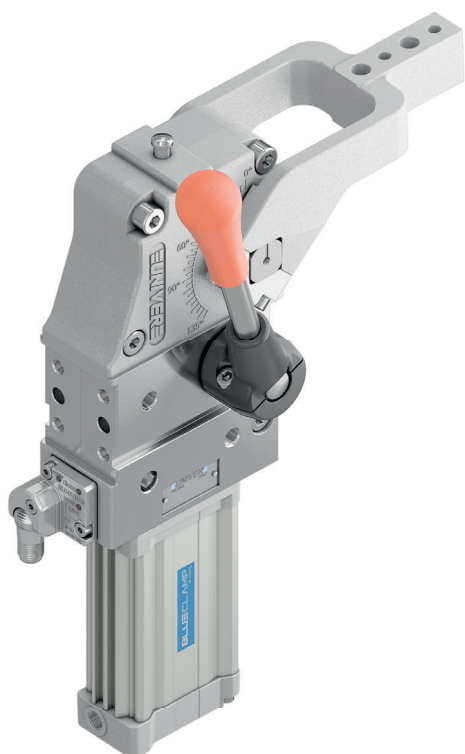
UBK46P16 For arm 15 offset
UBK46P16-45 For arm 45 offset

UABM 50

Air saving pneumatic power clamps size 50, with hand lever

AIR SAVING Pneumatic power clamps with compensation system, toggle-joint mechanism and stepless adjustable opening angle. The special construction enables a relevant reduction in air consumption, without affecting standard performances required from the market.

- Air consumption saving up to 35%
- Reduced dimensions compared to standard power clamps
- Integrated compensation
- Hand lever mount on both sides
- Fully optical electronic sensor
- Fixing pattern on 4 sides
- Manual unlocking in case of air loss
- Self-holding system for open position available
- Clamping arm in aluminium or steel



CHARACTERISTICS

Operating temperature	5° ÷ 45° C
Min./Max. Operating pressure	0,4 / 0,6 MPa
Opening angle*	0° ÷ 135°
Size	50
Cylinder bore Ø	40 mm
Holding moment	1250 Nm
Clamping moment (0,5 MPa)	170 Nm
Weight (clamping arm not included)	3 Kg
Pneumatic supply ports	G1/4 on both sides
Sensor	electronic (optical)
Supply voltage	10 ÷ 30 Vdc
IP code	IP65

*The opening angle range may vary according to the arm position and style.

CODIFICATION KEY

UA	B	M	50	O	E	A	K	0	
1	2	3	4	5	6	7	8	9	10



AIR SAVING



COMPENSATION



LIGHTWEIGHT



IRREVERSIBLE



ANGLE ADJUSTMENT



OPTICAL SENSOR



COMPACT

1 SERIES
UA = BLUECLAMP Power clamps air saving

2 STANDARD
B = European standard

3 VERSION
M = Pneumatic with hand lever

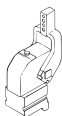
4 SIZE
50 = Size 50 (Cylinder Ø40 mm)

5 ARM POSITION

V = 90°



O = 180°



N = No arm



6 ARM STYLE
C = Central, 15 mm offset
D = Right, 15 mm offset
S = Right, 15 mm offset
E = Central, 45 mm offset
F = Central, 45 mm offset
L = Central, 45 mm offset
N = No arm
For other versions contact our Sales Dept.

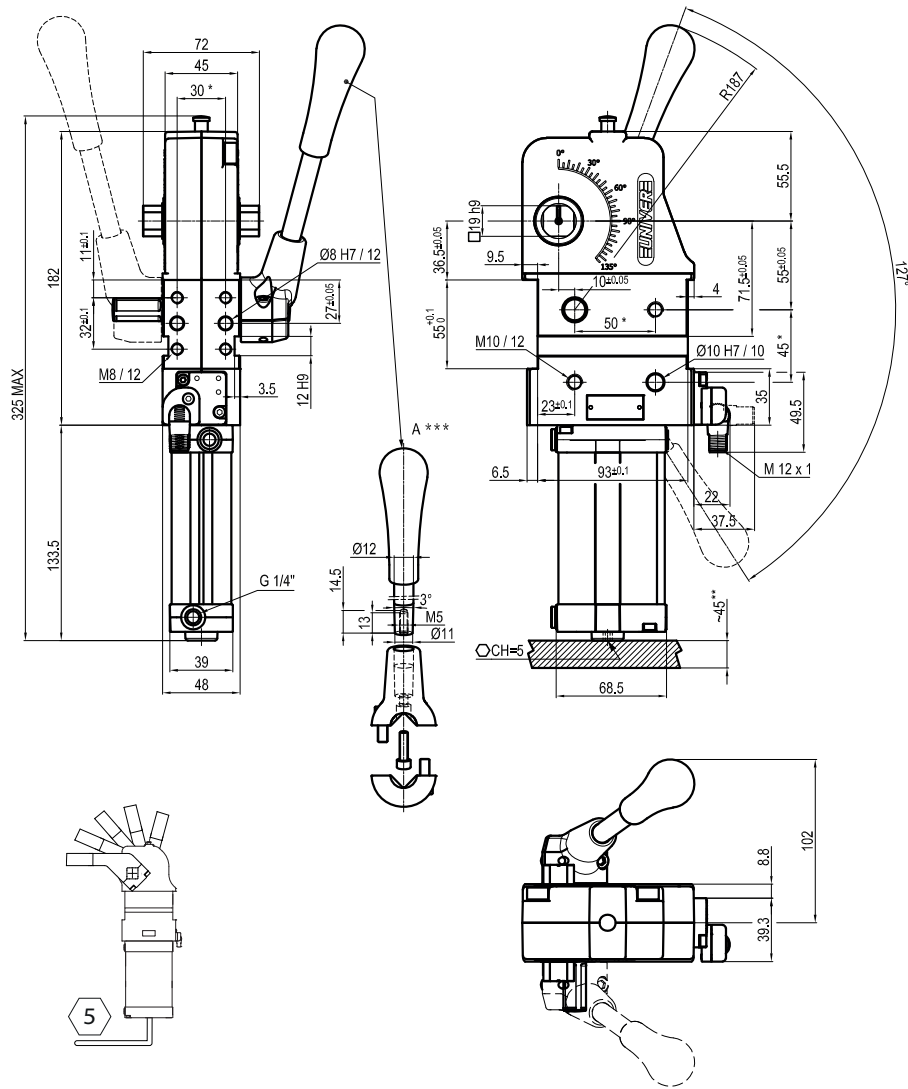
7 ARM TYPE
A = Aluminium
S = Steel
N = No arm

8 SENSOR
N = No sensor (with protection plate)
K = Electronic sensor PNP (M12) (DF-K)
J = Electronic sensor NPN (optical) (DF-J)
Y = Electronic sensor PNP (M12) (DF-Y) white LED

9 PRODUCT REVISION
Assigned by UNIVER

10 ATEX
X = ATEX option
See ATEX Catalogue for types and versions

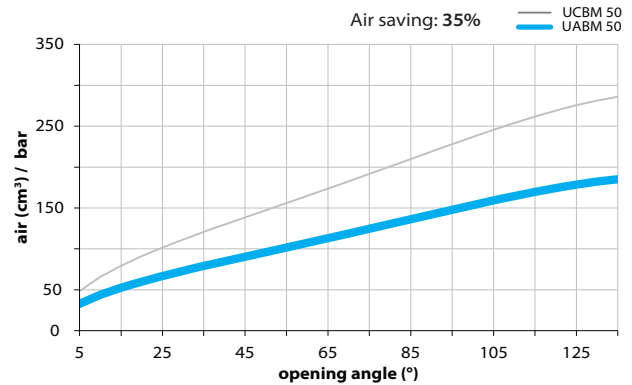
2



*TOLERANCE BETWEEN DOWELS $\pm 0,02$ BETWEEN SCREW HOLES $\pm 0,1$
 **AREA TO ACCESS ANGLE ADJUSTMENT
 ***DIMENSIONS TO BE RESPECTED IN CASE OTHER MANUAL LEVERS ARE USED

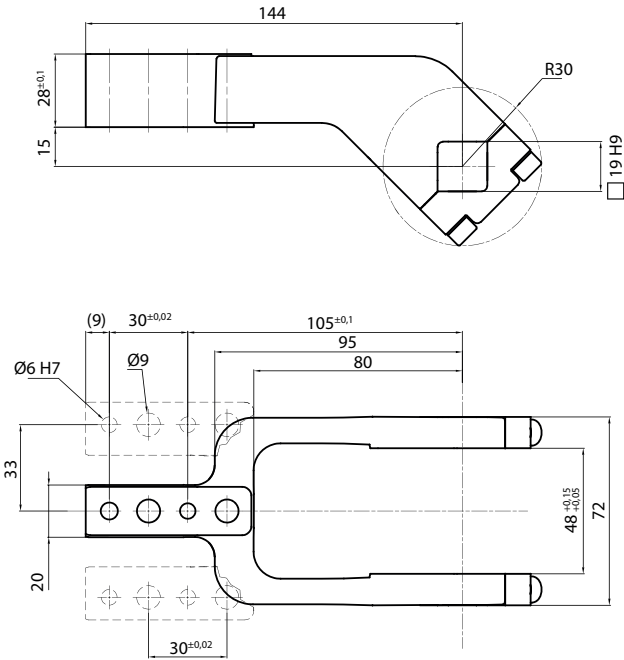
Air Consumption per Cycle

Compared with standard version

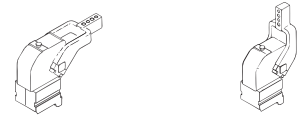
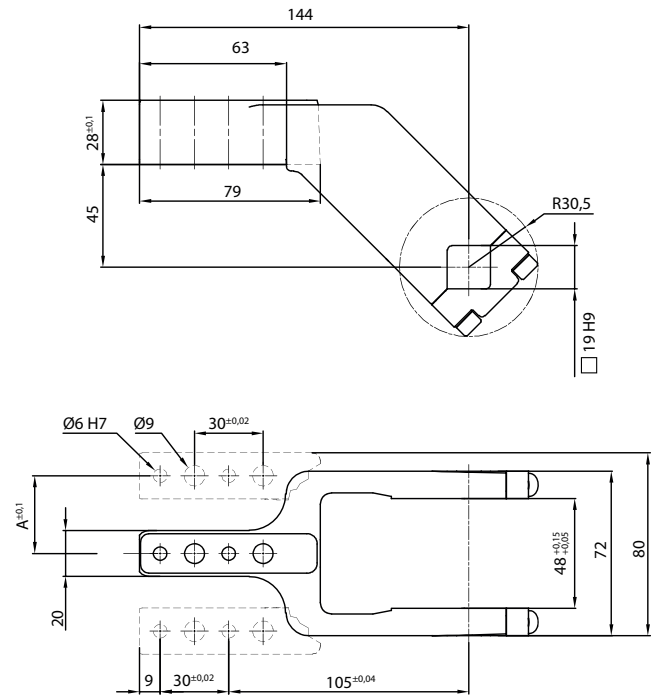


Clamping Arms

Arm Offset 15mm



Arm Offset 45mm



Armcode	Offset	Material	Arm style	Weight (Kg)	Opening angle (90°)	Opening angle (180°)
LKP00CL	15	ALUMINIUM	CENTRAL	0,4	0±135°	0±105°
LKP00DL	15	ALUMINIUM	RIGHT	0,4	0±135°	0±105°
LKP00SL	15	ALUMINIUM	LEFT	0,4	0±135°	0±105°
UP210151441G	15	STEEL	CENTRAL	0,8	0±135°	0±105°
UP210151442G	15	STEEL	RIGHT	0,8	0±135°	0±105°
UP210151443G	15	STEEL	LEFT	0,8	0±135°	0±105°
UKP5063E	45	ALUMINIUM	CENTRAL	0,45	0±135°	0±135°
UKP50F	45	ALUMINIUM	RIGHT	0,45	0±135°	0±135°
UKP50L	45	ALUMINIUM	LEFT	0,45	0±135°	0±135°
UKP5063ES	45	STEEL	CENTRAL	1,16	0±135°	0±135°
UKP50FS	45	STEEL	RIGHT	1,16	0±135°	0±135°
UKP50LS	45	STEEL	LEFT	1,16	0±135°	0±135°

Sensors



Electronic (optical)

DF-K PNP M12
DF-J NPN M12
DF-Y PNP M12 White LED

Accessories



Handlever

UBF255063



Self holding system

UBK46P19

UABM 63

Air saving pneumatic power clamps size 63, with hand lever

AIR SAVING pneumatic power clamps with compensation system, toggle-joint mechanism and stepless adjustable opening angle. The special construction enables a relevant reduction in air consumption, without affecting standard performances required from the market.

- Air consumption saving up to 27%
- Reduced dimensions compared to standard power clamps
- Integrated compensation
- Hand lever mount on both sides
- Fully optical electronic sensor
- Fixing pattern on 4 sides
- Manual unlocking in case of air loss
- Self-holding system for open position available
- Clamping arm in aluminium or steel

CHARACTERISTICS

Operating temperature	5° ÷ 45° C
Min./Max. Operating pressure	0,4 / 0,6 MPa
Opening angle*	0° ÷ 135°
Size	63
Cylinder bore Ø	50 mm
Holding moment	1750 Nm
Clamping moment (0,5 MPa)	380 Nm
Weight (clamping arm not included)	3,8 Kg
Pneumatic supply ports	G1/4 on both sides
Sensor	electronic (optical)
Supply voltage	10 ÷ 30 Vdc
IP code	IP65

*The opening angle range may vary according to the arm position and style.

CODIFICATION KEY

UA	B	M	63	O	E	A	K	0	
1	2	3	4	5	6	7	8	9	10



AIR SAVING



COMPENSATION



LIGHTWEIGHT



IRREVERSIBLE



ANGLE ADJUSTMENT



OPTICAL SENSOR



COMPACT

1 SERIES
UA = BLUECLAMP Power clamps air saving

2 STANDARD
B = European standard

3 VERSION
M = Pneumatic with hand lever

4 SIZE
63 = Size 63 (Cylinder Ø50 mm)

5 ARM POSITION

V = 90°

O = 180°

N = No arm

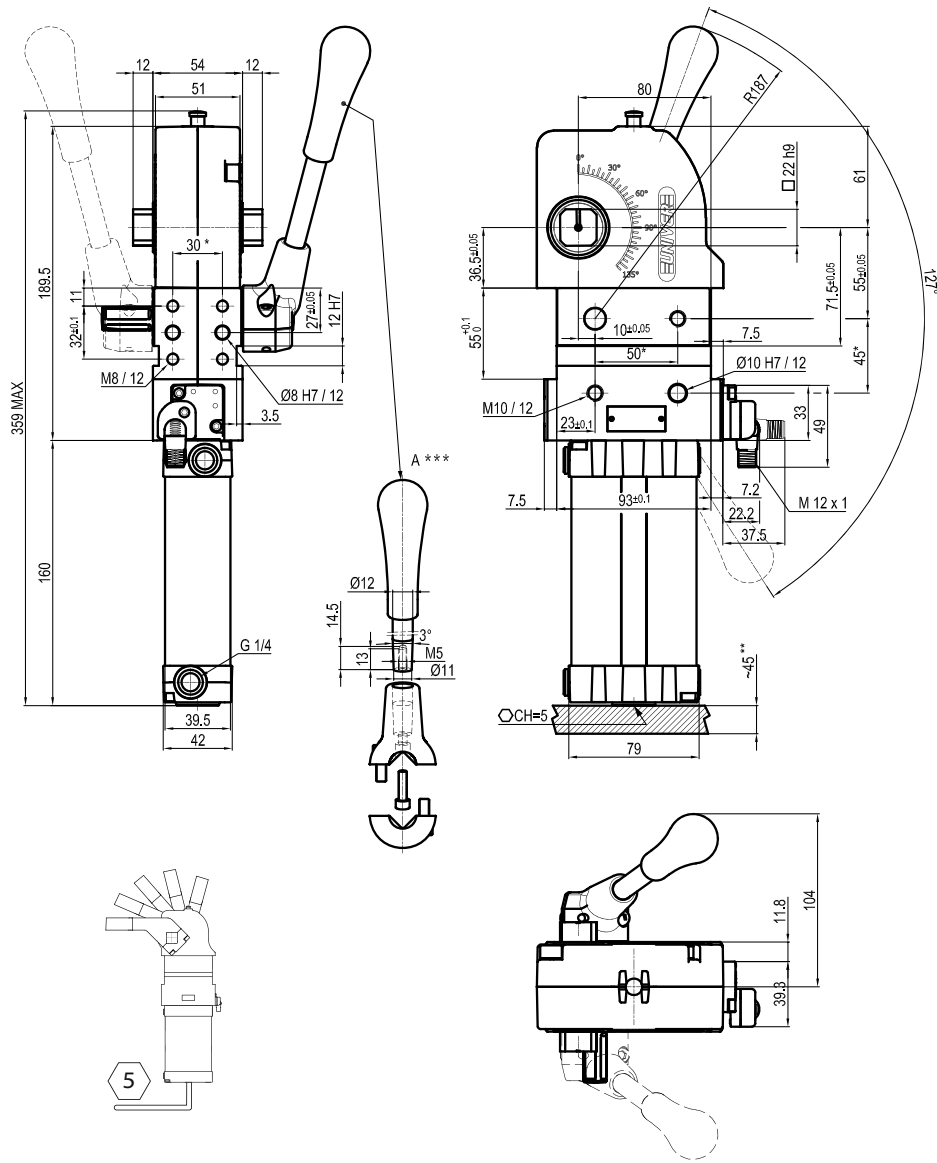
6 ARM STYLE
C = Central, 15 mm offset
D = Right, 15 mm offset
S = Right, 15 mm offset
E = Central, 45 mm offset
F = Central, 45 mm offset
L = Central, 45 mm offset
N = No arm
For other versions contact our Sales Dept.

7 ARM TYPE
A = Aluminium
S = Steel
N = No arm

8 SENSOR
N = No sensor (with protection plate)
K = Electronic sensor PNP (M12) (DF-K)
J = Electronic sensor NPN (optical) (DF-J)
Y = Electronic sensor PNP (M12) (DF-Y) white LED

9 PRODUCT REVISION
Assigned by UNIVER

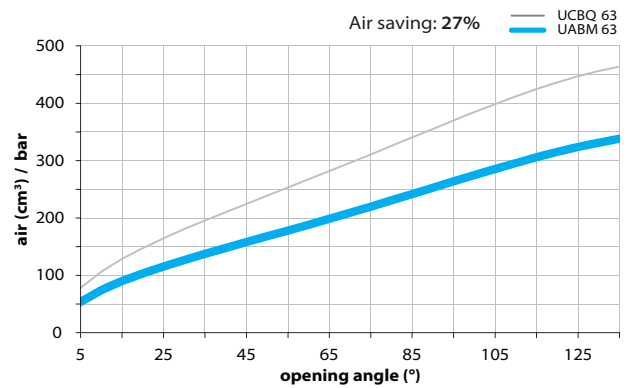
10 ATEX
X = ATEX option
See ATEX Catalogue for types and versions



*TOLERANCE BETWEEN DOWELS $\pm 0,02$ BETWEEN SCREW HOLES $\pm 0,1$
 **AREA TO ACCESS ANGLE ADJUSTMENT
 ***DIMENSIONS TO BE RESPECTED IN CASE OTHER MANUAL LEVERS ARE USED

Air Consumption per Cycle

Compared with standard version

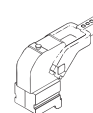
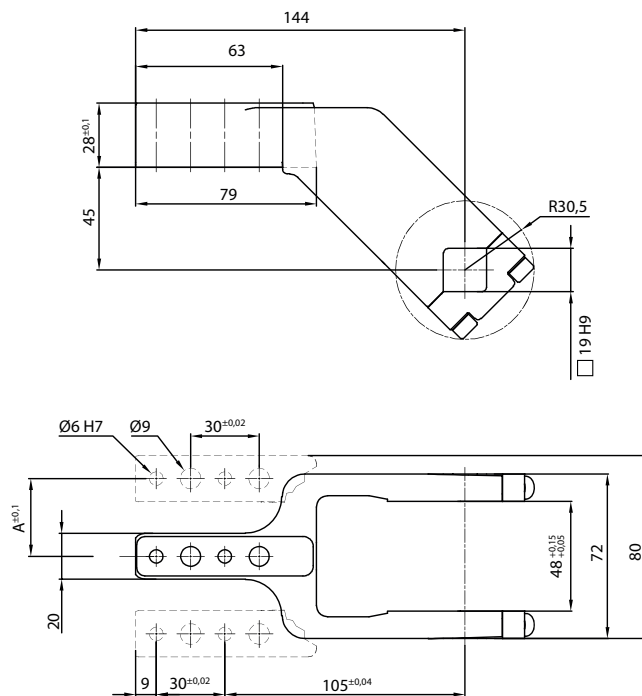
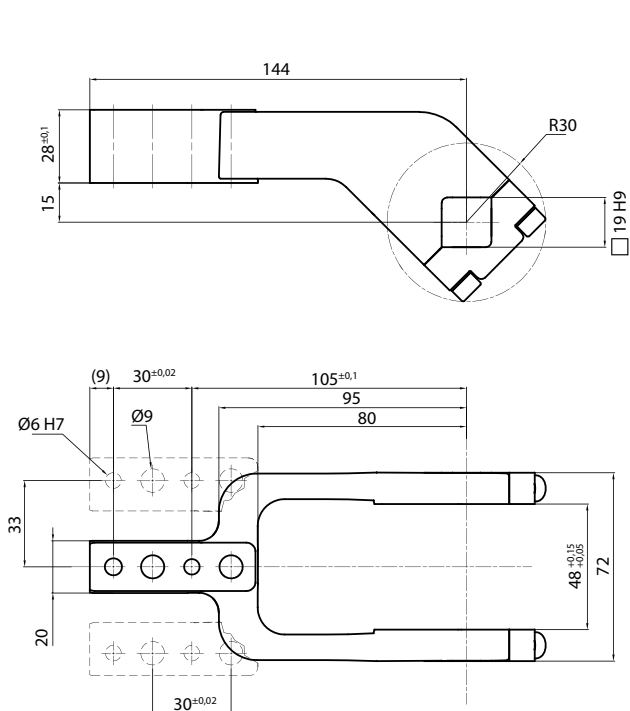


Clamping Arms

Arm Offset 15mm

Arm Offset 45mm

2



Armcode	Offset	Material	Arm style	Weight (Kg)	Opening angle (90°)	Opening angle (180°)
UP310151441A	15	ALUMINIUM	CENTRAL	0,3	0÷135°	0÷105°
UP310151442A	15	ALUMINIUM	RIGHT	0,3	0÷135°	0÷105°
UP310151443A	15	ALUMINIUM	LEFT	0,3	0÷135°	0÷105°
UP310151441S	15	STEEL	CENTRAL	1,2	0÷135°	0÷105°
UP310151442S	15	STEEL	RIGHT	1,2	0÷135°	0÷105°
UP310151443S	15	STEEL	LEFT	1,2	0÷135°	0÷105°
UP310451441A	45	ALUMINIUM	CENTRAL	0,3	0÷135°	0÷135°
UP310451442A	45	ALUMINIUM	RIGHT	0,3	0÷135°	0÷135°
UP310451443A	45	ALUMINIUM	LEFT	0,3	0÷135°	0÷135°
UP310451441S	45	STEEL	CENTRAL	1,4	0÷135°	0÷135°
UP310451442S	45	STEEL	RIGHT	1,4	0÷135°	0÷135°
UP310451443S	45	STEEL	LEFT	1,4	0÷135°	0÷135°

Sensors



Electronic (optical)

- DF-K PNP M12
- DF-J NPN M12
- DF-Y PNP M12 White LED

Accessories



Handlever

UBF255063



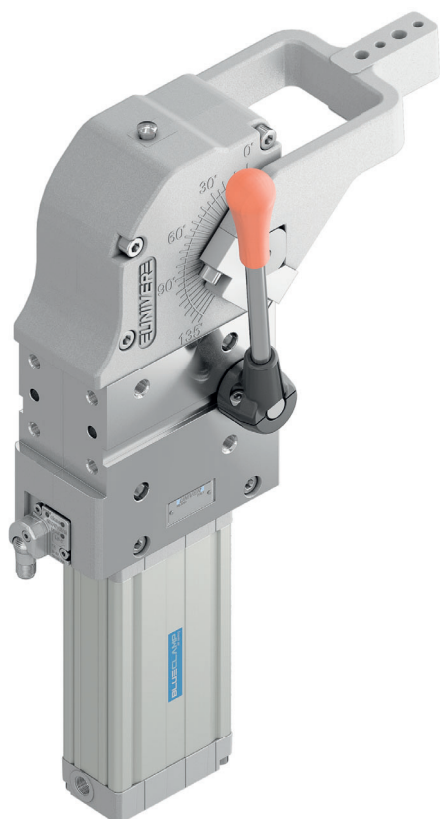
Self holding system

UBK46P22

UABM 80

Air saving pneumatic power clamps size 80, with hand lever

AIR SAVING pneumatic power clamps with compensation system, toggle-joint mechanism and stepless adjustable opening angle. The special construction enables a relevant reduction in air consumption, without affecting standard performances required from the market.



- Air consumption saving up to 38%
- Reduced dimensions compared to standard power clamps
- Integrated compensation
- Hand lever mount on both sides
- Fully optical electronic sensor
- Fixing pattern on 4 sides
- Manual unlocking in case of air loss
- Self-holding system for open position available
- Clamping arm in aluminium or steel

CHARACTERISTICS

Operating temperature	5° ÷ 45° C
Min./Max. Operating pressure	0,4 / 0,6 MPa
Opening angle*	0° ÷ 135°
Size	80
Cylinder bore Ø	63 mm
Holding moment	4000 Nm
Clamping moment (0,5 MPa)	880 Nm
Weight (clamping arm not included)	7,5 Kg
Pneumatic supply ports	G1/4 on both sides
Sensor	electronic (optical)
Supply voltage	10 ÷ 30 Vdc
IP code	IP65

*The opening angle range may vary according to the arm position and style.

CODIFICATION KEY

UA | B | M | 80 | O | E | A | K | 0 | 10



AIR SAVING



COMPENSATION



LIGHTWEIGHT



IRREVERSIBLE



ANGLE ADJUSTMENT



OPTICAL SENSOR



COMPACT

1

SERIES

UA = BLUECLAMP Power clamps air saving

2

STANDARD

B = European standard

3

VERSION

M = Pneumatic with hand lever

4

SIZE

80 = Size 80 (Cylinder Ø63 mm)

5

ARM POSITION

V = 90°



O = 180°



N = No arm



6

ARM STYLE

C = Central, 20 mm offset

D = Right, 20 mm offset

S = Right, 20 mm offset

E = Central, 45 mm offset

F = Central, 45 mm offset

L = Central, 45 mm offset

P = Double, 20 mm offset

N = No arm

For other versions contact our Sales Dept.

7

ARM TYPE

A = Aluminium

S = Steel

N = No arm

8

SENSOR

N = No sensor (with protection plate)

K = Electronic sensor PNP (M12) (DF-K)

J = Electronic sensor NPN (optical) (DF-J)

Y = Electronic sensor PNP (M12) (DF-Y) white LED

9

PRODUCT REVISION

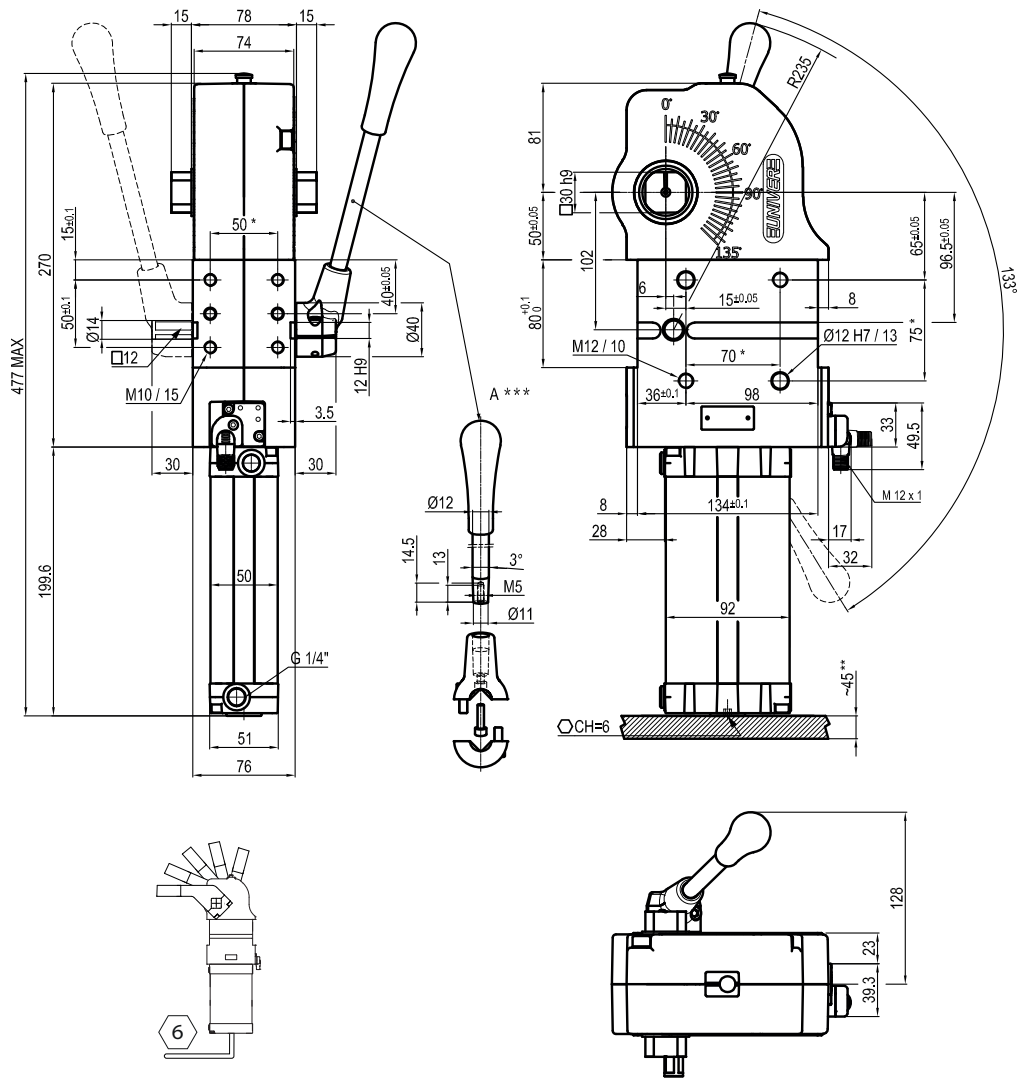
Assigned by UNIVER

10

ATEX

X = ATEX option

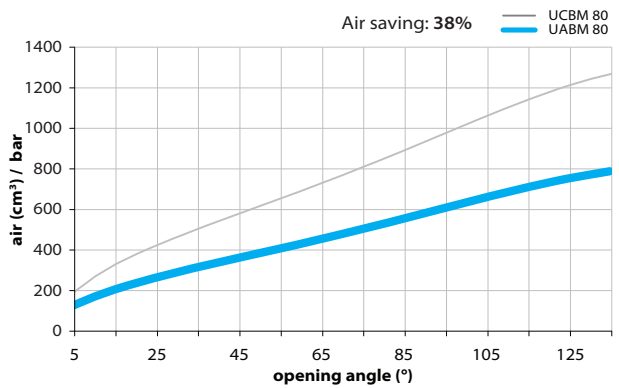
See ATEX Catalogue for types and versions



*TOLERANCE BETWEEN DOWELS $\pm 0,02$ BETWEEN SCREW HOLES $\pm 0,1$
 **AREA TO ACCESS ANGLE ADJUSTMENT
 ***DIMENSIONS TO BE RESPECTED IN CASE OTHER MANUAL LEVERS ARE USED

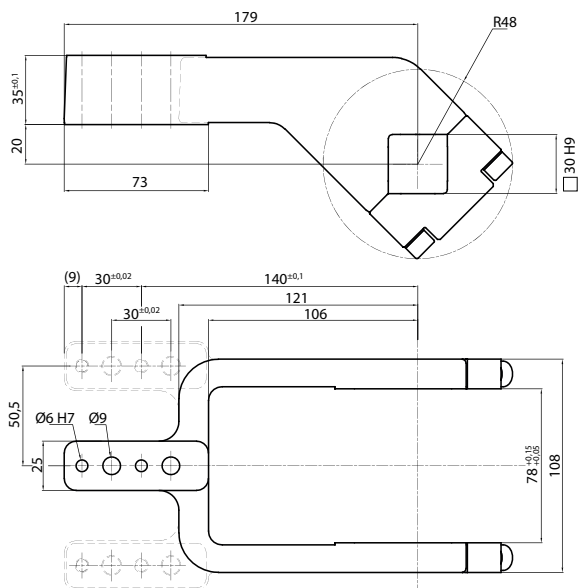
Air Consumption per Cycle

Compared with standard version

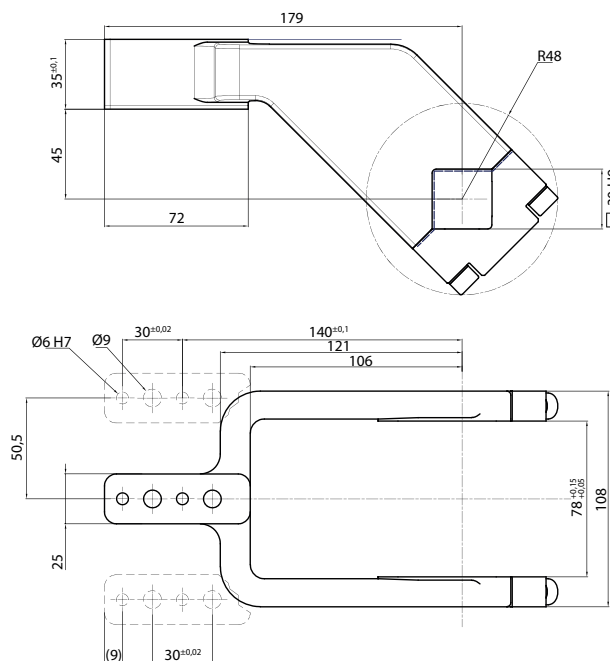


Clamping Arms

Arm Offset 20mm



Arm Offset 45mm



2



Armcode	Offset	Material	Arm style	Weight (Kg)	Opening angle (90°)	Opening angle (180°)
LKP80C	20	ALUMINIUM	CENTRAL	0,6	0±135°	0±105°
LKP80D	20	ALUMINIUM	RIGHT	0,6	0±135°	0±105°
LKP80S	20	ALUMINIUM	LEFT	0,6	0±135°	0±105°
UKP80CS	20	STEEL	CENTRAL	2,3	0±135°	0±105°
UKP80DS	20	STEEL	RIGHT	2,3	0±135°	0±105°
UKP80SS	20	STEEL	LEFT	2,3	0±135°	0±105°
UKP80E	45	ALUMINIUM	CENTRAL	0,6	0±135°	0±125°
UKP80F	45	ALUMINIUM	RIGHT	0,6	0±135°	0±125°
UKP80L	45	ALUMINIUM	LEFT	0,6	0±135°	0±125°
UKP80ES	45	STEEL	CENTRAL	2,2	0±135°	0±125°
UKP80FS	45	STEEL	RIGHT	2,2	0±135°	0±125°
UKP80LS	45	STEEL	LEFT	2,2	0±135°	0±125°

Sensors



Electronic (optical)

- DF-K PNP M12
- DF-J NPN M12
- DF-Y PNP M12 White LED

Accessories



Handlever

UBF2580



Self holding system

UBK46P30

UANP 50

Air saving pneumatic power clamps conforming to the NAAMS standard, size 50

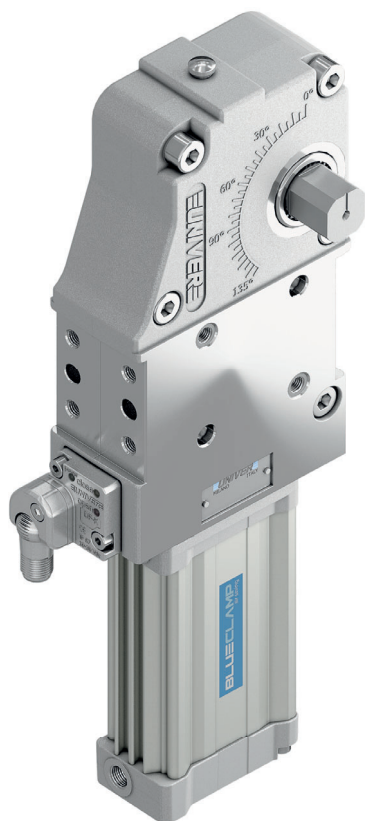
AIR SAVING pneumatic power clamps size 50, conforming to the NAAMS standard, with compensation system, toggle-joint mechanism and stepless adjustable opening angle. The special construction enables a relevant reduction in air consumption, without affecting standard performances required from the market.

- Air consumption saving up to 35%
- Reduced dimensions compared to standard power clamps
- Integrated compensation
- Version with hand lever available
- Fully optical electronic sensor
- Fixing pattern on 4 sides
- Manual unlocking in case of air loss
- Drive shaft for wishbone or blade arms

CHARACTERISTICS

Operating temperature	5° ÷ 45° C
Min./Max. Operating pressure	0,4/0,6 Mpa
Opening angle*	0° ÷ 135°
Size	50
Cylinder bore Ø	40 mm
Holding moment	1250 Nm
Clamping moment (0,5 MPa)	170 Nm
Weight (clamping arm not included)	2,3 Kg
Pneumatic supply ports	1/4 on both sides
Sensor	electronic (optical)
Supply voltage	10 ÷ 30 Vdc
IP code	IP65

*The opening angle range may vary according to the arm position and style.



AIR SAVING



COMPENSATION



LIGHTWEIGHT



IRREVERSIBLE



ANGLE ADJUSTMENT



OPTICAL SENSOR




COMPACT

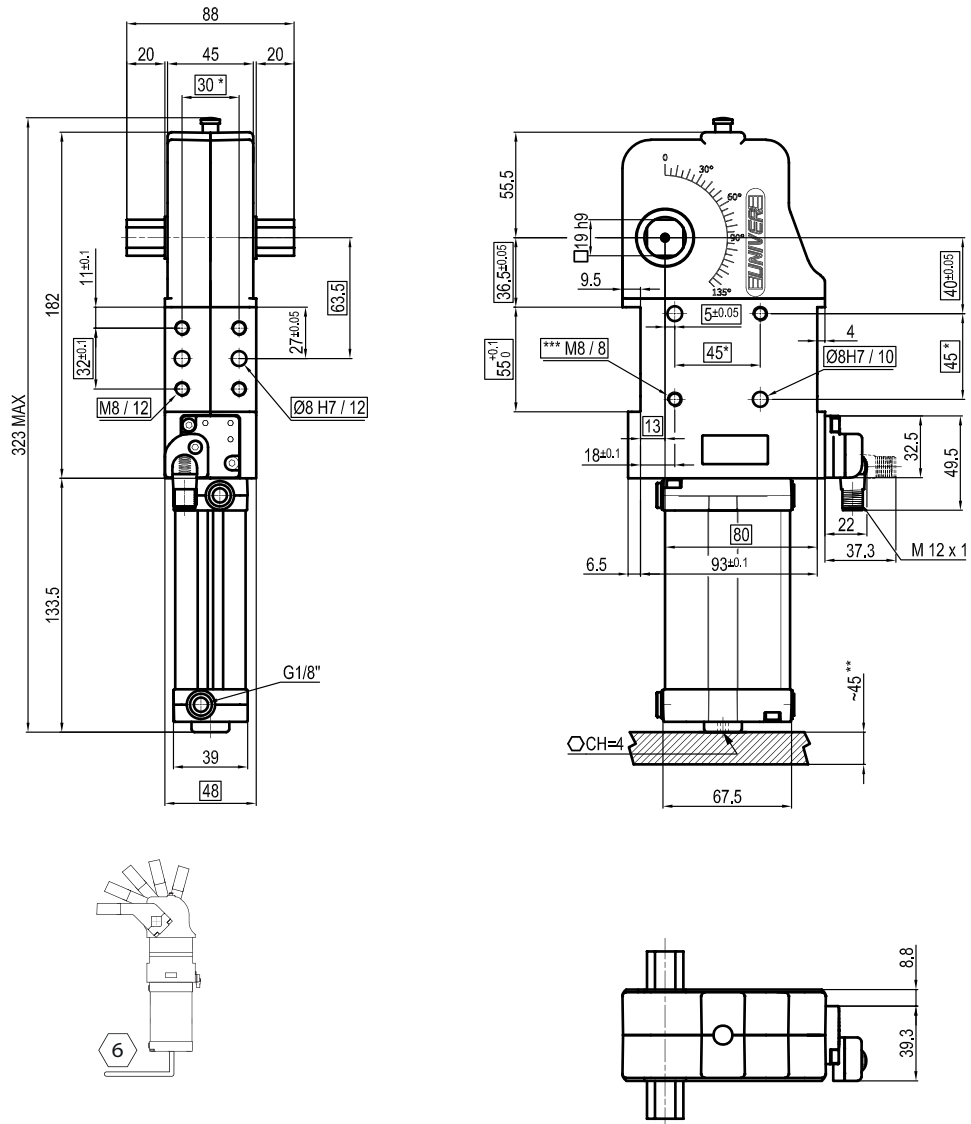
CODIFICATION KEY

UA | N | P | 50 | N | N | K | G | 0 | 10

1 2 3 4 5 6 7 8 9 10

1	SERIES UA = BLUECLAMP Power clamps air saving	6	SQUARE SHAFT R = Right side only L = Left side only N = Both sides
2	STANDARD N = NAAMS Standard	7	SENSOR N = No sensor (with protection plate) K = Electronic sensor PNP, M12 (DF-K)
3	VERSION P = Pneumatic	8	PORT THREAD G = Gas
4	SIZE 50 = Size 50 (Cylinder Ø40 mm)	9	PRODUCT REVISION Assigned by UNIVER
5	ARM POSITION N = No arm 	10	ATEX X = ATEX option See ATEX Catalogue for types and versions

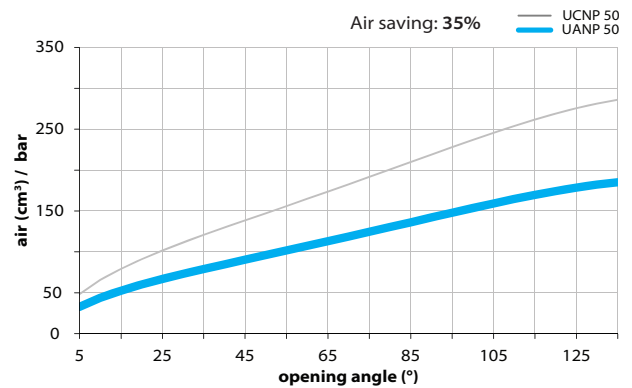
For clamping arms according to NAAMS standard, please contact our Sales Dept.



*TOLERANCE BETWEEN DOWELS ± 0,02 BETWEEN SCREW HOLES ± 0,1
 **AREA TO ACCESS ANGLE ADJUSTMENT
 ***SCREW THREAD INSERT

Air Consumption per Cycle

Compared with standard version



Sensors



Electronic (optical)

- DF-K** PNP M12
- DF-J** NPN M12
- DF-Y** PNP M12 White LED

Accessories



Self holding system

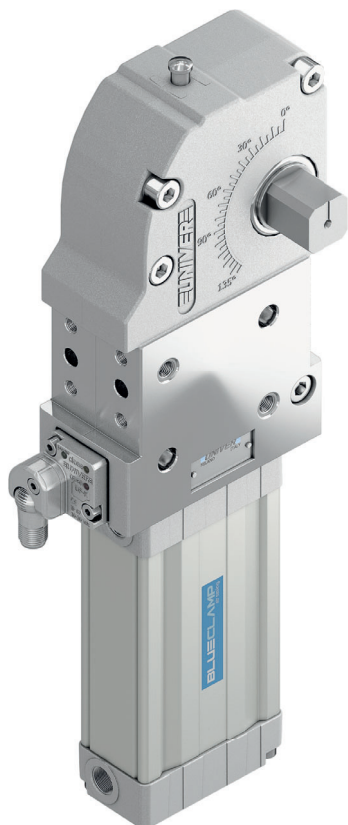
- UBK46P19N** For blade arms
- UBK46P19ND** For wishbone arms

UANP 63

Air saving pneumatic power clamps conforming to the NAAMS standard, size 63

AIR SAVING pneumatic power clamps size 63, conforming to the NAAMS standard, with compensation system, toggle-joint mechanism and stepless adjustable opening angle. The special construction enables a relevant reduction in air consumption, without affecting standard performances required from the market.

- Air consumption saving up to 38%
- Reduced dimensions compared to standard power clamps
- Integrated compensation
- Version with hand lever available
- Fully optical electronic sensor
- Fixing pattern on 4 sides
- Manual unlocking in case of air loss
- Drive shaft for wishbone or blade arms




CHARACTERISTICS

Operating temperature	5° ÷ 45° C
Min./Max. Operating pressure	0,4/0,6 Mpa
Opening angle*	0° ÷ 135°
Size	63
Cylinder bore Ø	50 mm
Holding moment	1750 Nm
Clamping moment (0,5 MPa)	380 Nm
Weight (clamping arm not included)	3,2 Kg
Pneumatic supply ports	1/4 on both sides
Sensor	electronic (optical)
Supply voltage	10 ÷ 30 Vdc
IP code	IP65

*The opening angle range may vary according to the arm position and style.

CODIFICATION KEY

1	2	3	4	5	6	7	8	9	10
UA	N	P	63	N	N	K	G	0	

1	SERIES UA = BLUECLAMP Power clamps air saving	6	SQUARE SHAFT R = Right side only L = Left side only N = Both sides
2	STANDARD N = NAAMS Standard	7	SENSOR N = No sensor (with protection plate) K = Electronic sensor PNP, M12 (DF-K)
3	VERSION P = Pneumatic	8	PORT THREAD G = Gas N = NTP
4	SIZE 63 = Size 63 (Cylinder Ø50 mm)	9	PRODUCT REVISION Assigned by UNIVER
5	ARM POSITION N = No arm 	10	ATEX X = ATEX option See ATEX Catalogue for types and versions
For clamping arms according to NAAMS standard, please contact our Sales Dept.			



AIR SAVING



COMPENSATION



LIGHTWEIGHT



IRREVERSIBLE



ANGLE ADJUSTMENT

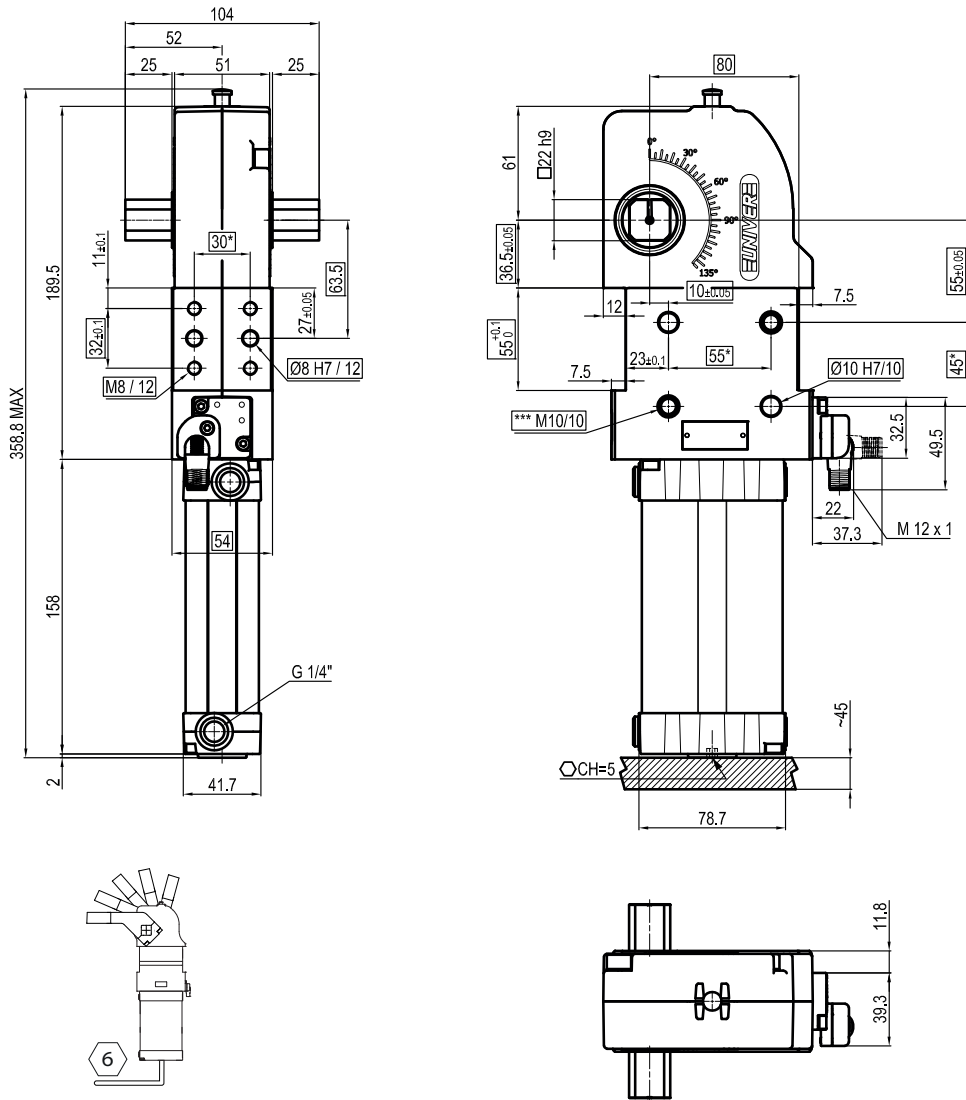


OPTICAL SENSOR



COMPACT

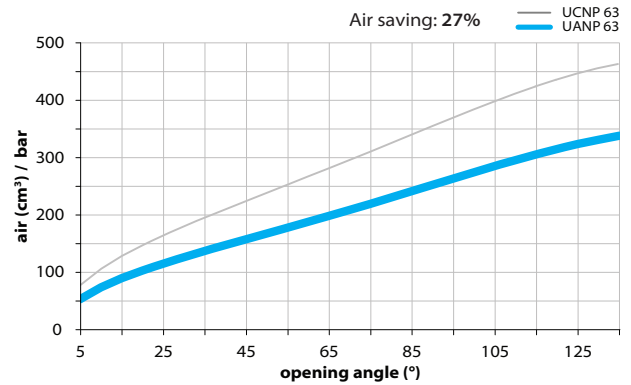
2



*TOLERANCE BETWEEN DOWELS $\pm 0,02$ BETWEEN SCREW HOLES $\pm 0,1$
 **AREA TO ACCESS ANGLE ADJUSTMENT
 ***SCREW THREAD INSERT

Air Consumption per Cycle

Compared with standard version



Sensors



Electronic (optical)

- DF-K** PNP M12
- DF-J** NPN M12
- DF-Y** PNP M12 White LED

Accessories



Self holding system

- UBK46P22N** For blade arms
- UBK46P22ND** For wishbone arms

UANP 80

Air saving pneumatic power clamps conforming to the NAAMS standard, size 80

AIR SAVING pneumatic power clamps size 80, conforming to the NAAMS standard, with compensation system, toggle-joint mechanism and stepless adjustable opening angle. The special construction enables a relevant reduction in air consumption, without affecting standard performances required from the market.

- Air consumption saving up to 38%
- Reduced dimensions compared to standard power clamps
- Integrated compensation
- Version with hand lever available
- Fully optical electronic sensor or pneumatic sensor
- Fixing pattern on 4 sides
- Manual unlocking in case of air loss
- Drive shaft for wishbone or blade arms

CHARACTERISTICS


Operating temperature	5° ÷ 45° C
Min./Max. Operating pressure	0,4/0,6 Mpa
Opening angle*	0° ÷ 135°
Size	80
Cylinder bore Ø	63 mm
Holding moment	4000 Nm
Clamping moment (0,5 MPa)	880 Nm
Weight (clamping arm not included)	7 Kg
Pneumatic supply ports	1/4 on both sides
Sensor	electronic (optical)
Supply voltage	10 ÷ 30 Vdc
IP code	

*The opening angle range may vary according to the arm position and style.

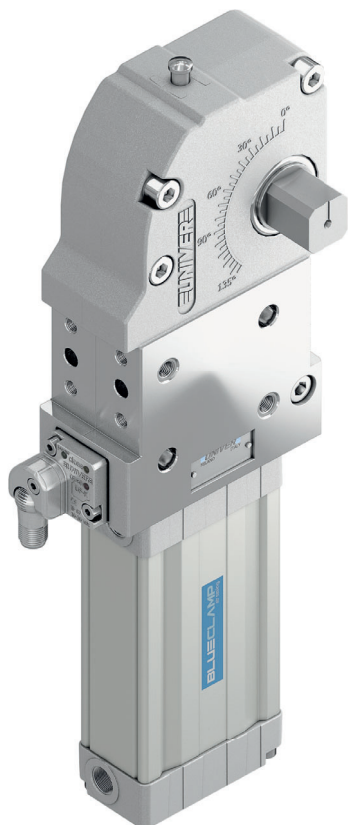


CODIFICATION KEY

UA	N	P	80	N	N	K	G	0	
1	2	3	4	5	6	7	8	9	10

1	SERIES UA = BLUECLAMP Power clamps air saving	6	SQUARE SHAFT R = Right side only L = Left side only N = Both sides
2	STANDARD N = NAAMS Standard	7	SENSOR N = No sensor (with protection plate) K = Electronic sensor PNP, M12 (DF-K)
3	VERSION P = Pneumatic	8	PORT THREAD G = Gas N = NTP
4	SIZE 80 = Size 80 (Cylinder Ø63 mm)	9	PRODUCT REVISION Assigned by UNIVER
5	ARM POSITION N = No arm 	10	ATEX X = ATEX option See ATEX Catalogue for types and versions

For clamping arms according to NAAMS standard, please contact our Sales Dept.



AIR SAVING



COMPENSATION



LIGHTWEIGHT



IRREVERSIBLE



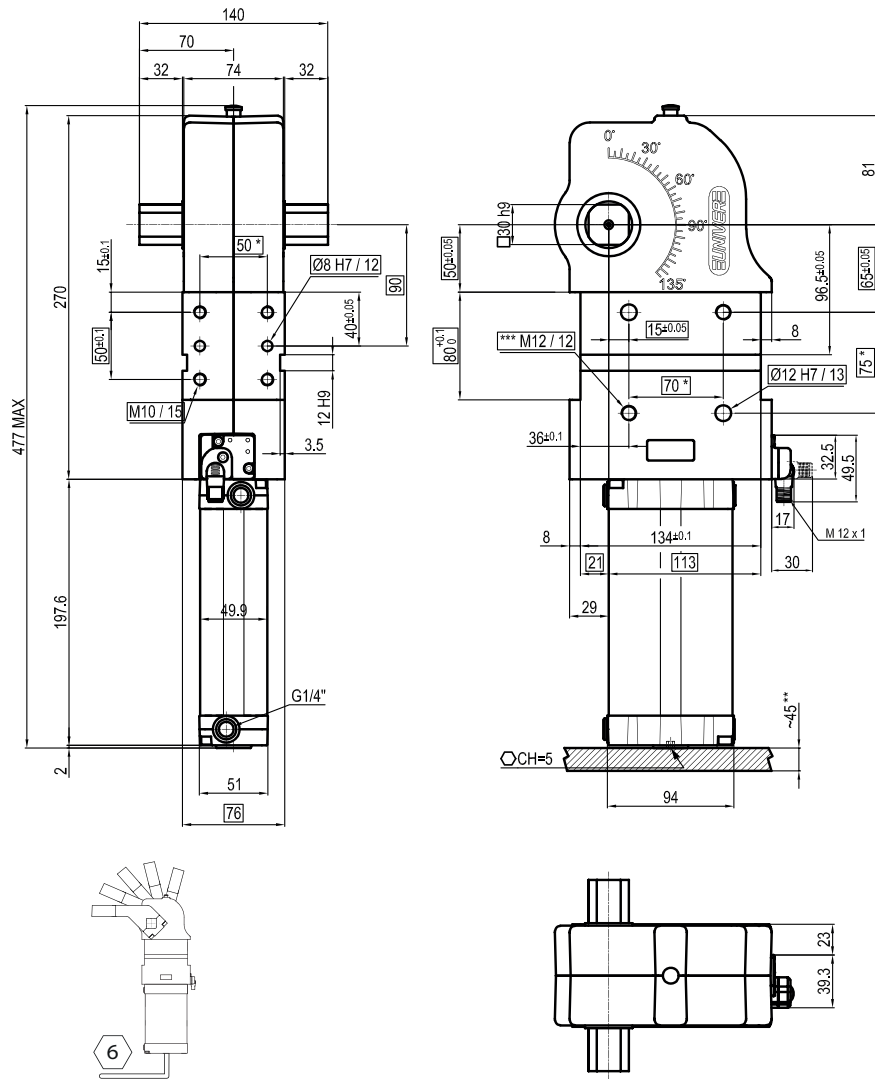
ANGLE ADJUSTMENT



OPTICAL SENSOR



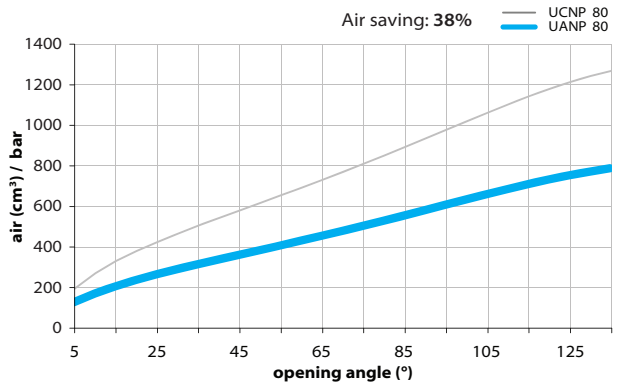
COMPACT



*TOLERANCE BETWEEN DOWELS $\pm 0,02$ BETWEEN SCREW HOLES $\pm 0,1$
 **AREA TO ACCESS ANGLE ADJUSTMENT
 ***SCREW THREAD INSERT

Air Consumption per Cycle

Compared with standard version



Sensors



2

Electronic (optical)

- DF-K PNP M12
- DF-J NPN M12
- DF-Y PNP M12 White LED

Accessories



Self holding system

- UBK46P30N For blade arms
- UBK46P30ND For wishbone arms

UANM 50

Air saving pneumatic power clamps conforming to the NAAMS standard, size 50 with hand lever

AIR SAVING pneumatic power clamps size 50, conforming to the NAAMS standard, with compensation system, toggle-joint mechanism and stepless adjustable opening angle. The special construction enables a relevant reduction in air consumption, without affecting standard performances required from the market.



- Air consumption saving up to 35%
- Reduced dimensions compared to standard power clamps
- Integrated compensation
- Hand lever mount on both sides
- Fully optical electronic sensor
- Fixing pattern on 4 sides
- Manual unlocking in case of air loss


CHARACTERISTICS

Operating temperature	5° ÷ 45° C
Min./Max. Operating pressure	0,4/0,6 Mpa
Opening angle*	0° ÷ 135°
Size	50
Cylinder bore Ø	40 mm
Holding moment	1250 Nm
Clamping moment (0,5 MPa)	170 Nm
Weight (clamping arm not included)	3 Kg
Pneumatic supply ports	1/4 on both sides
Sensor	electronic (optical)
Supply voltage	10 ÷ 30 Vdc
IP code	IP65

*The opening angle range may vary according to the arm position and style.

CODIFICATION KEY

1	2	3	4	5	6	7	8	9	10
UA	N	M	50	N	N	K	G	0	

1	SERIES UA = BLUECLAMP Power clamps air saving	6	SQUARE SHAFT R = Right side only L = Left side only N = Both sides
2	STANDARD N = NAAMS Standard	7	SENSOR N = No sensor (with protection plate) K = Electronic sensor PNP, M12 (DF-K)
3	VERSION M = Pneumatic with hand lever	8	PORT THREAD G = Gas
4	SIZE 50 = Size 50 (Cylinder Ø40 mm)	9	PRODUCT REVISION Assigned by UNIVER
5	ARM POSITION N = No arm 	10	ATEX X = ATEX option See ATEX Catalogue for types and versions

For clamping arms according to NAAMS standard, please contact our Sales Dept.



AIR SAVING



COMPENSATION



LIGHTWEIGHT



IRREVERSIBLE



ANGLE ADJUSTMENT

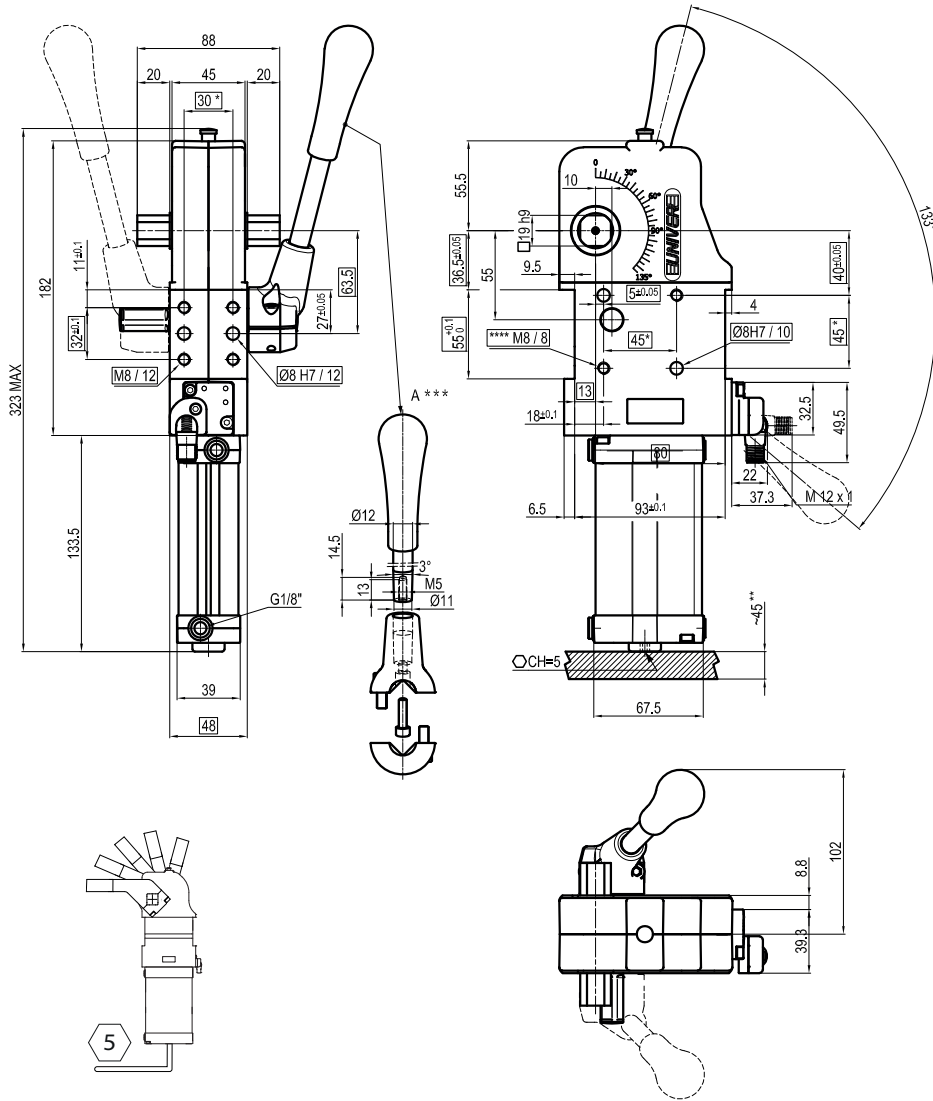


OPTICAL SENSOR



COMPACT

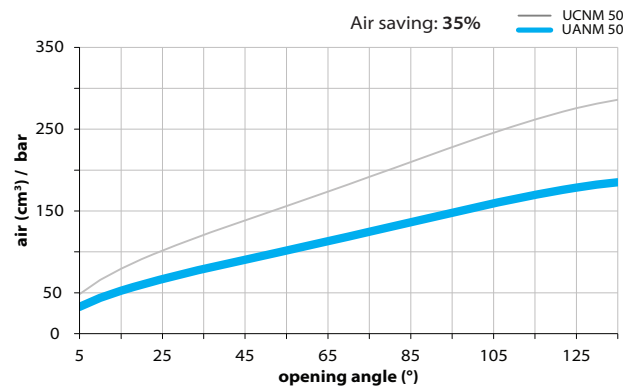
2



*TOLERANCE BETWEEN DOWELS $\pm 0,02$ BETWEEN SCREW HOLES $\pm 0,1$
 **AREA TO ACCESS ANGLE ADJUSTMENT
 ***DIMENSIONS TO BE RESPECTED IN CASE OTHER MANUAL LEVERS ARE USED
 ****SCREW THREAD INSERT

Air Consumption per Cycle

Compared with standard version





Sensors



Electronic (optical)

- DF-K** PNP M12
- DF-J** NPN M12
- DF-Y** PNP M12 White LED

Accessories



Handlever

UBF255063



Self holding system

- UBK46P19N** For blade arms
- UBK46P19ND** For wishbone arms

UANM 63

Air saving pneumatic power clamps conforming to the NAAMS standard, size 63 with hand lever

AIR SAVING pneumatic power clamps size Ø63, conforming to the NAAMS standard, with compensation system, toggle-joint mechanism and stepless adjustable opening angle. The special construction enables a relevant reduction in air consumption, without affecting standard performances required from the market.

- Air consumption saving up to 27%
- Reduced dimensions compared to standard power clamps
- Integrated compensation
- Hand lever mount on both sides
- Fully optical electronic sensor
- Fixing pattern on 4 sides
- Manual unlocking in case of air loss
- Drive shaft for wishbone or blade arms

CHARACTERISTICS


Operating temperature	5° ÷ 45° C
Min./Max. Operating pressure	0,4/0,6 Mpa
Opening angle*	0° ÷ 135°
Size	63
Cylinder bore Ø	50 mm
Holding moment	1750 Nm
Clamping moment (0,5 MPa)	380 Nm
Weight (clamping arm not included)	3,8 Kg
Pneumatic supply ports	1/4 on both sides
Sensor	electronic (optical)
Supply voltage	10 ÷ 30 Vdc
IP code	IP65

*The opening angle range may vary according to the arm position and style.



CODIFICATION KEY

1	2	3	4	5	6	7	8	9	10
UA	N	M	63	N	N	K	G	0	

1	SERIES UA = BLUECLAMP Power clamps air saving	6	SQUARE SHAFT R = Right side only L = Left side only N = Both sides
2	STANDARD N = NAAMS Standard	7	SENSOR N = No sensor (with protection plate) K = Electronic sensor PNP, M12 (DF-K)
3	VERSION M = Pneumatic with hand lever	8	PORT THREAD G = Gas N = NTP
4	SIZE 63 = Size 63 (Cylinder Ø50 mm)	9	PRODUCT REVISION Assigned by UNIVER
5	ARM POSITION N = No arm 	10	ATEX X = ATEX option See ATEX Catalogue for types and versions
For clamping arms according to NAAMS standard, please contact our Sales Dept.			



AIR SAVING



COMPENSATION



LIGHTWEIGHT



IRREVERSIBLE



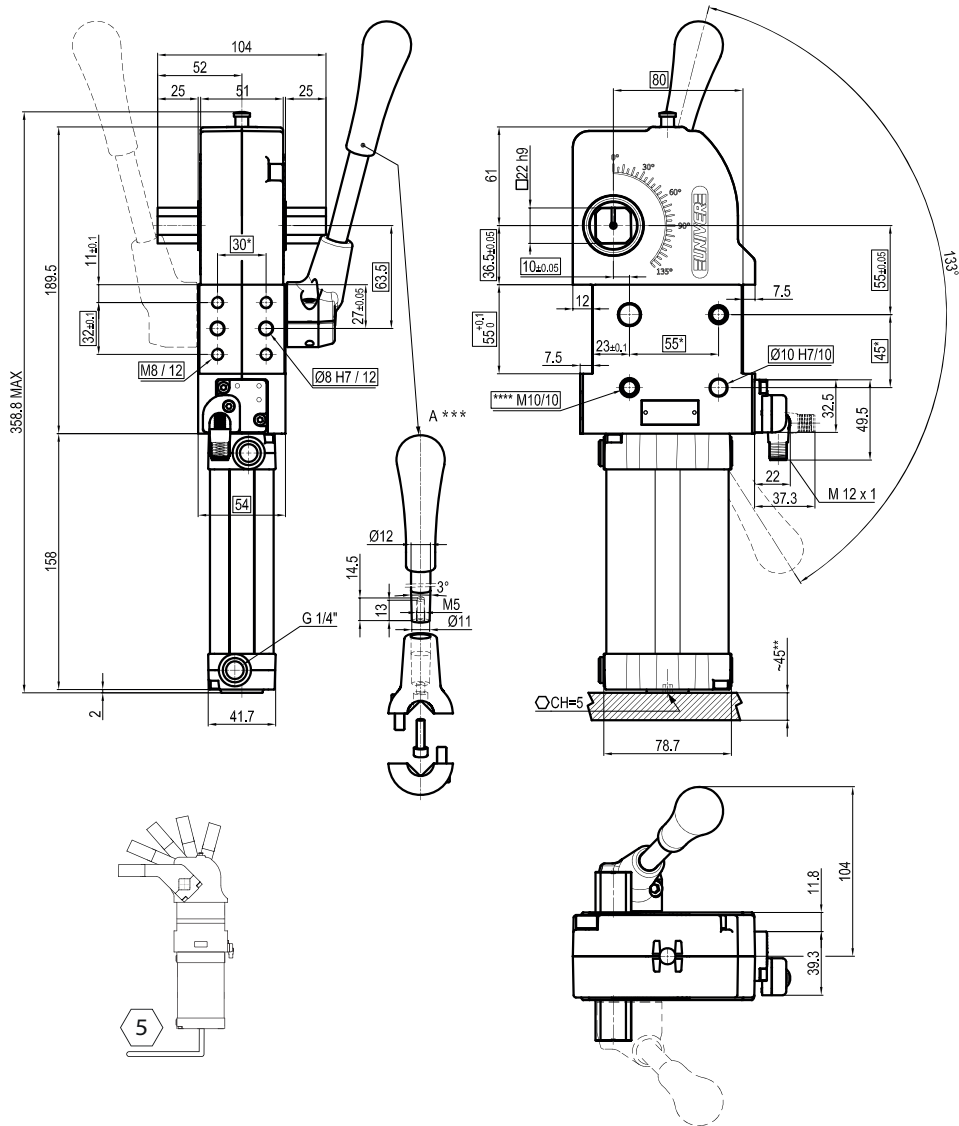
ANGLE ADJUSTMENT



OPTICAL SENSOR



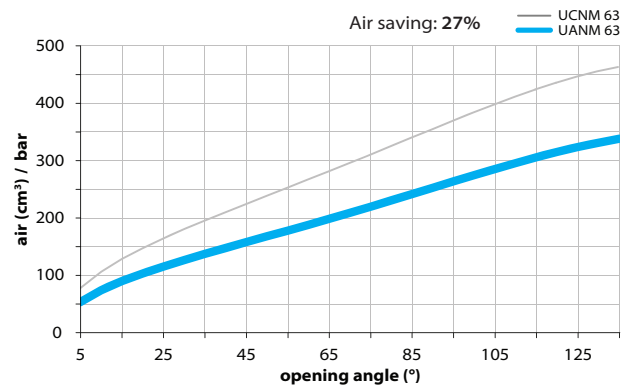
COMPACT



*TOLERANCE BETWEEN DOWELS $\pm 0,02$ BETWEEN SCREW HOLES $\pm 0,1$
 **AREA TO ACCESS ANGLE ADJUSTMENT
 ***DIMENSIONS TO BE RESPECTED IN CASE OTHER MANUAL LEVERS ARE USED
 ****SCREW THREAD INSERT

Air Consumption per Cycle

Compared with standard version





Sensors



Electronic (optical)

DF-K PNP M12
DF-J NPN M12
DF-Y PNP M12 White LED

Accessories



Handlever

UBF255063



Self holding system

UBK46P22N For blade arms
UBK46P22ND For wishbone arms

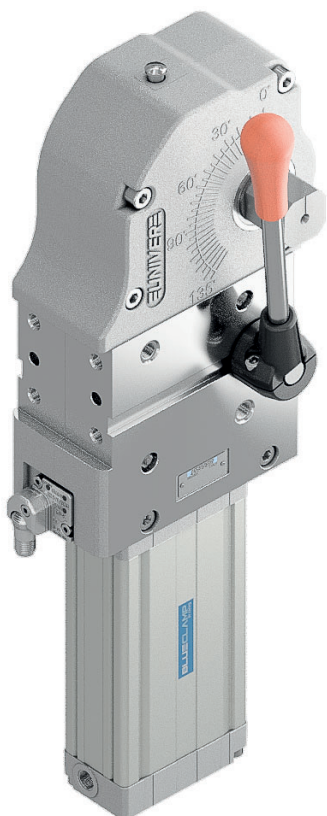
2

UANM 80

Air saving pneumatic power clamps conforming to the NAAMS standard, size 80 with hand lever

AIR SAVING pneumatic power clamps size 80, conforming to the NAAMS standard, with compensation system, toggle-joint mechanism and stepless adjustable opening angle. The special construction enables a relevant reduction in air consumption, without affecting standard performances required from the market.

- Air consumption saving up to 38%
- Reduced dimensions compared to standard power clamps
- Integrated compensation
- Hand lever mount on both sides
- Fully optical electronic sensor
- Fixing pattern on 4 sides
- Manual unlocking in case of air loss
- Drive shaft for wishbone or blade arms



AIR SAVING



COMPENSATION



LIGHTWEIGHT



IRREVERSIBLE



ANGLE ADJUSTMENT



OPTICAL SENSOR



COMPACT


CHARACTERISTICS

Operating temperature	5° ÷ 45° C
Min./Max. Operating pressure	0,4/0,6 Mpa
Opening angle*	0° ÷ 135°
Size	80
Cylinder bore Ø	63 mm
Holding moment	4000 Nm
Clamping moment (0,5 MPa)	880 Nm
Weight (clamping arm not included)	7,5 Kg
Pneumatic supply ports	1/4 on both sides
Sensor	electronic (optical)
Supply voltage	10 ÷ 30 Vdc
IP code	

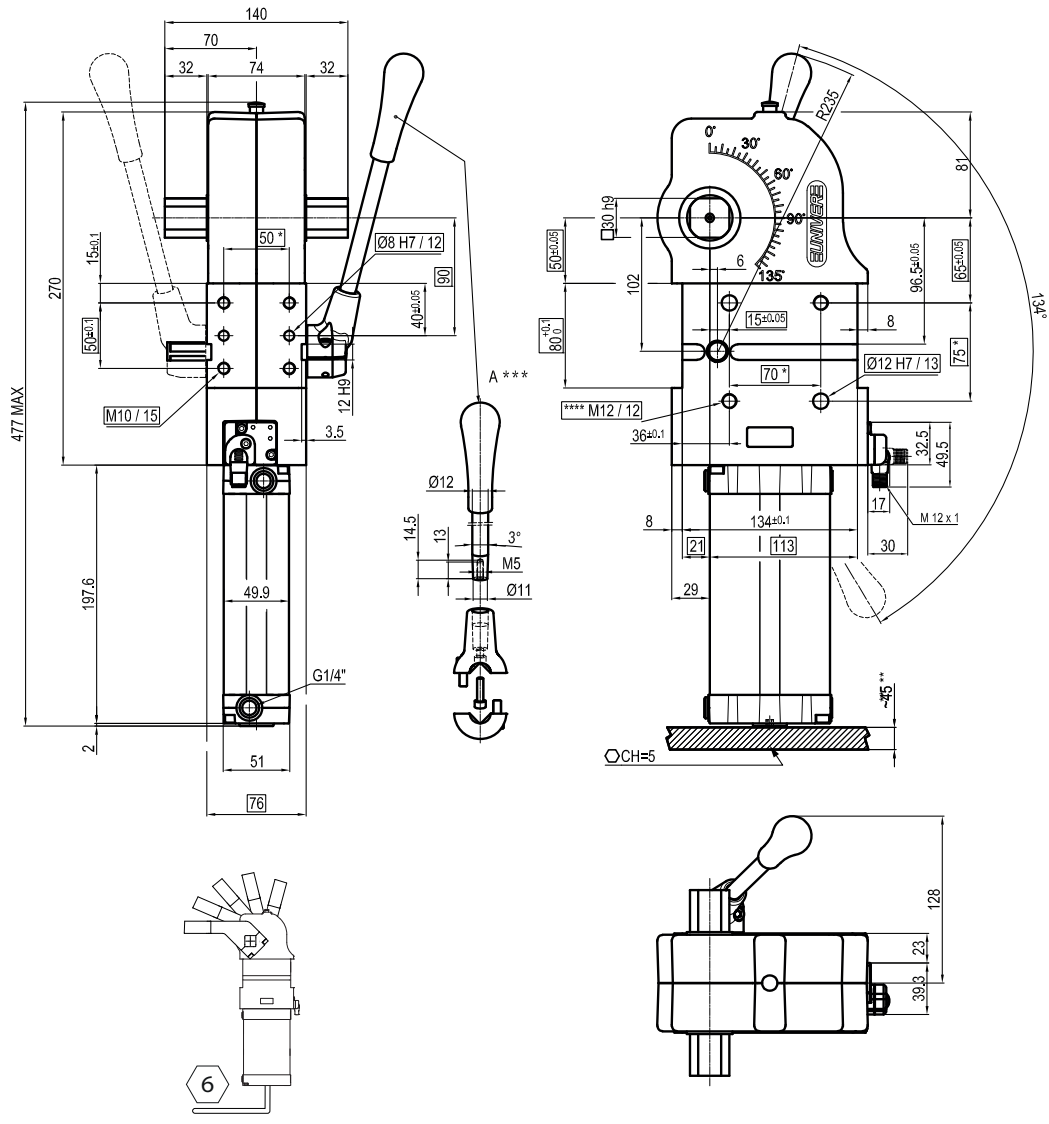
*The opening angle range may vary according to the arm position and style.

CODIFICATION KEY

UA | N | M | 80 | N | N | K | G | 0 | |
1 | 2 | 3 | 4 | 5 | 6 | 7 | 8 | 9 | 10

1	SERIES UA = BLUECLAMP Power clamps air saving	6	SQUARE SHAFT R = Right side only L = Left side only N = Both sides
2	STANDARD N = NAAMS Standard	7	SENSOR N = No sensor (with protection plate) K = Electronic sensor PNP, M12 (DF-K)
3	VERSION M = Pneumatic with hand lever	8	PORT THREAD G = Gas N = NTP
4	SIZE 80 = Size 80 (Cylinder Ø63 mm)	9	PRODUCT REVISION Assigned by UNIVER
5	ARM POSITION N = No arm 	10	ATEX X = ATEX option See ATEX Catalogue for types and versions
For clamping arms according to NAAMS standard, please contact our Sales Dept.			

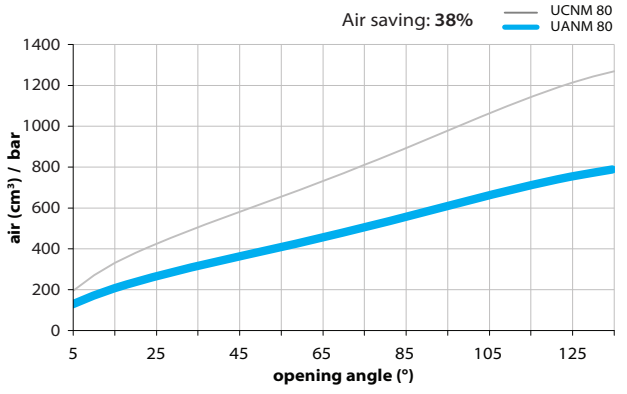
2



*TOLERANCE BETWEEN DOWELS $\pm 0,02$ BETWEEN SCREW HOLES $\pm 0,1$
 **AREA TO ACCESS ANGLE ADJUSTMENT
 ***DIMENSIONS TO BE RESPECTED IN CASE OTHER MANUAL LEVERS ARE USED
 ****SCREW THREAD INSERT

Air Consumption per Cycle

Compared with standard version





Sensors



Electronic (optical)

DF-K PNP M12
DF-J NPN M12
DF-Y PNP M12 White LED

Accessories



Handlever

UBF2580



Self holding system

UBK46P30N For blade arms
UBK46P30ND For wishbone arms