

# UNP63

Unità di bloccaggio **UNIVERSAL**  
standard **NAAMS**



<b>U</b>	<b>N</b>	<b>P</b>	<b>6</b>	<b>3</b>	<b>N</b>	<b>N</b>	<b>K</b>	<b>N</b>	<b>H</b>
<b>1</b>	<b>2</b>	<b>3</b>	<b>4</b>	<b>5</b>	<b>6</b>	<b>7</b>			



## 1 Serie

**UN** = Unità di bloccaggio **UNIVERSAL**  
standard **NAAMS** con regolazione  
continua angolo d'apertura da:  
**0° a 135° max**

## 2 Versione

**P** = Pneumatica

## 3 Taglia

**63** = Ø 63 mm

## 4 Posizione pressore

**N** = Senza pressore

## 5 Uscita albero quadro

**R** = Singolo lato destro  
**L** = Singolo lato sinistro  
**N** = Entrambi i lati

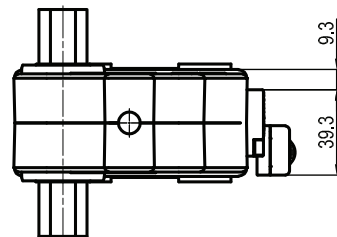
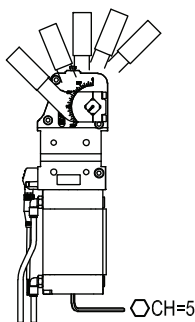
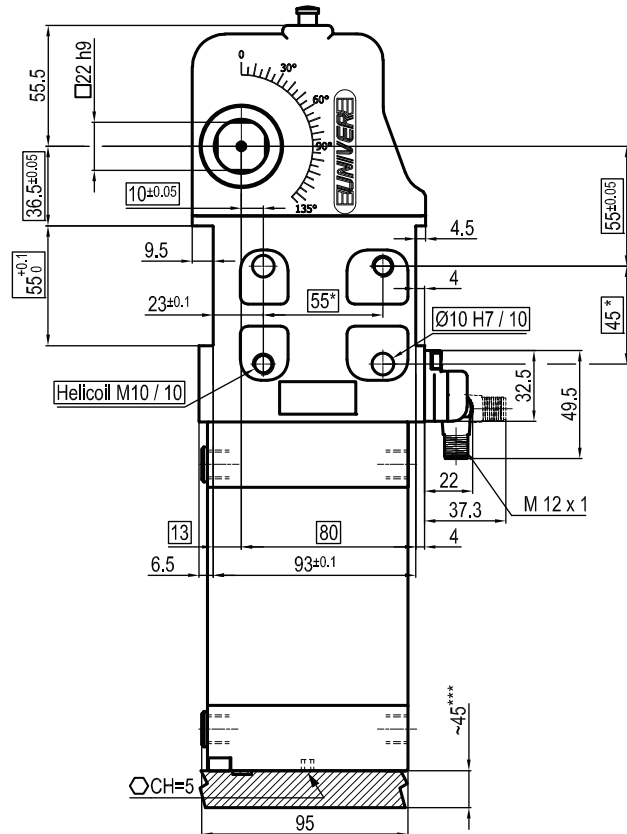
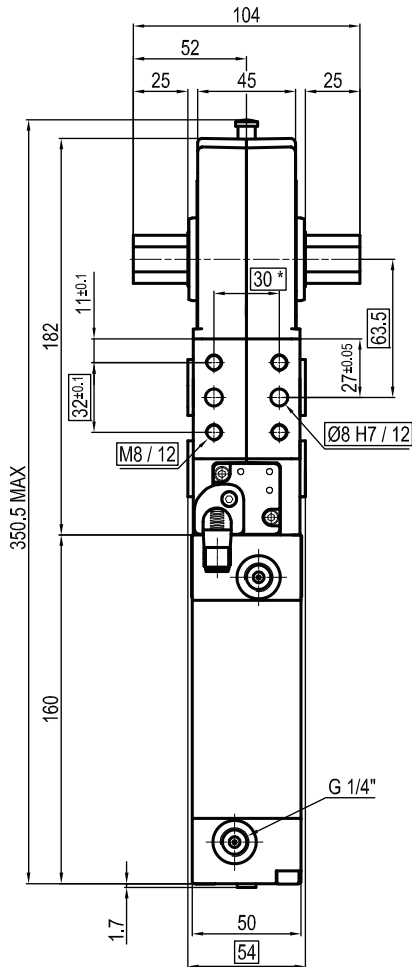
## 6 Sensore di posizione

**N** = Senza sensore  
(con piastra di chiusura)  
**K** = Sensore elettronico PNP  
(ottico) (DF-K)

## 7 Filetto alimentazioni

**G** = Gas  
**NH** = NPT

# UNP63NNKG



Bore Ø	Holding moment	Clamping moment (0,5 MPa)	Weight (clamping arm not included)
63 mm	1750 Nm	420 Nm	3,2 Kg

Min./Max. operating pressure: **0,4 / 0,6 MPa**

Operating temperature: **5° ÷ 45° C**

Opening angle: **adjustable**

Without arm

Electronic sensor with M12 swivel connector, from 0° to 90°

Supply voltage: 10 ÷ 30 Vdc

IP code: **IP 65**

Pneumatic ports on both sides

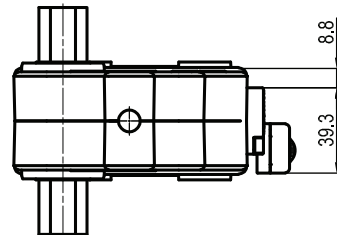
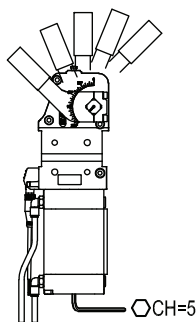
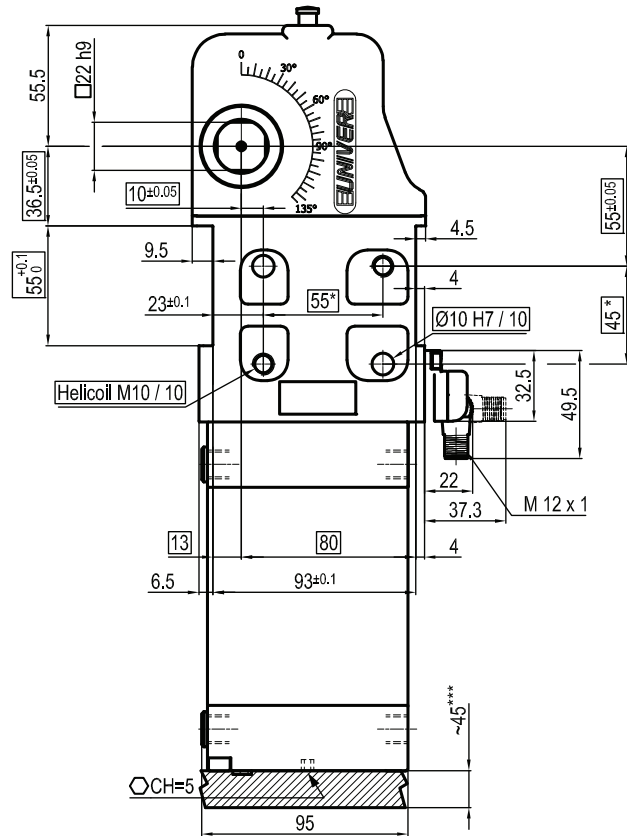
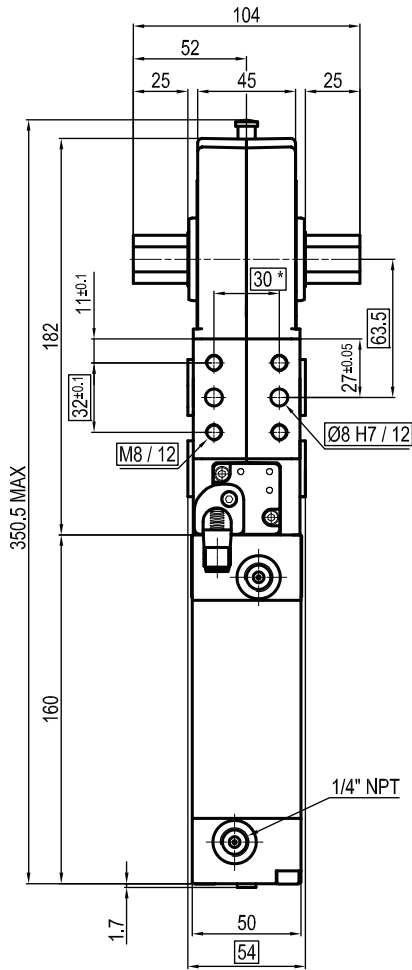
\*: TOLERANCE BETWEEN DOWELS ± 0,02, BETWEEN SCREW HOLES ± 0,1

\*\* : THE MEASURES REFER TO NAAMS STANDARD

\*\*\*: AREA TO ACCESS ANGLE ADJUSTMENT

Subject to technical modifications without notice

Rev. 00 26.08.20

**UNP63NNKNH**


Bore Ø	Holding moment	Clamping moment (0,5 MPa)	Weight (clamping arm not included)
63 mm	1750 Nm	420 Nm	3,2 Kg

 Min./Max. operating pressure: **0,4 / 0,6 MPa**

 Operating temperature: **5° ÷ 45° C**

 Opening angle: **adjustable**

Without arm

Electronic sensor with M12 swivel connector, from 0° to 90°

Supply voltage: 10 ÷ 30 Vdc

 IP code: **IP 65**

Pneumatic ports on both sides

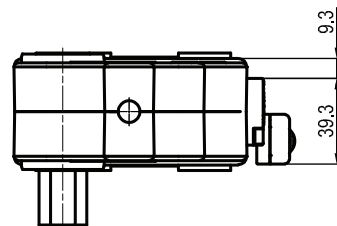
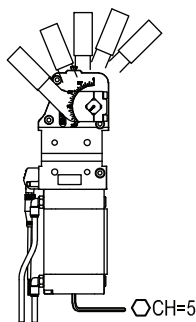
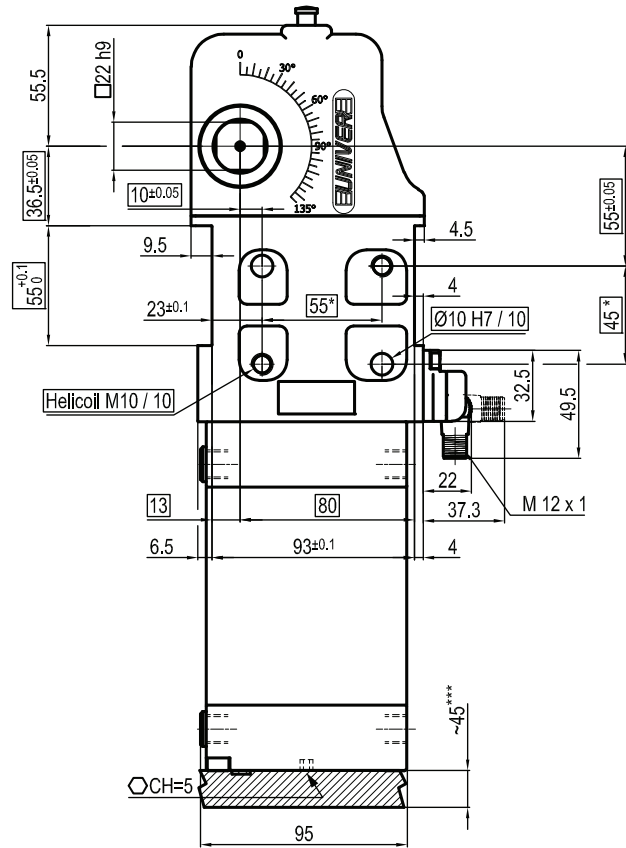
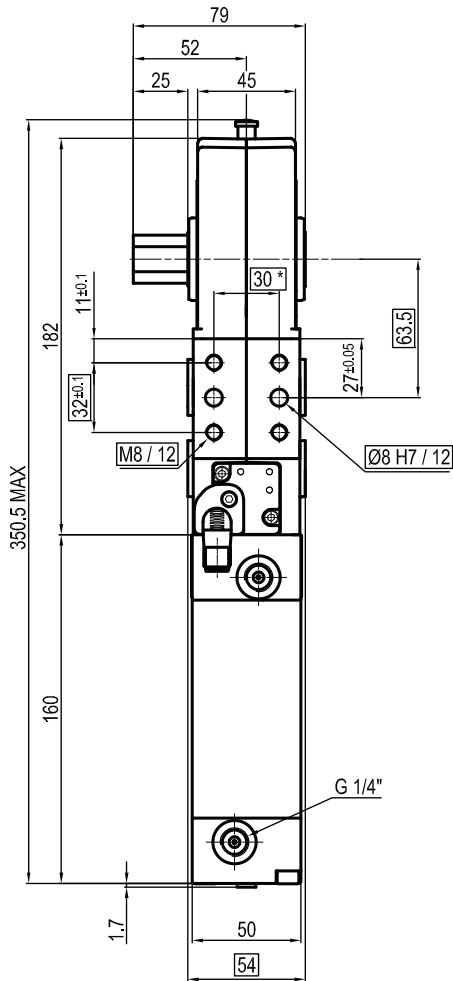
\*: TOLERANCE BETWEEN DOWELS ± 0,02, BETWEEN SCREW HOLES ± 0,1

\*\*: THE MEASURES REFER TO NAAMS STANDARD

\*\*\*: AREA TO ACCESS ANGLE ADJUSTMENT

Subject to technical modifications without notice

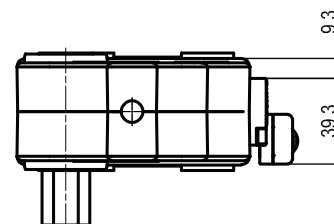
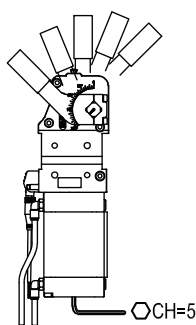
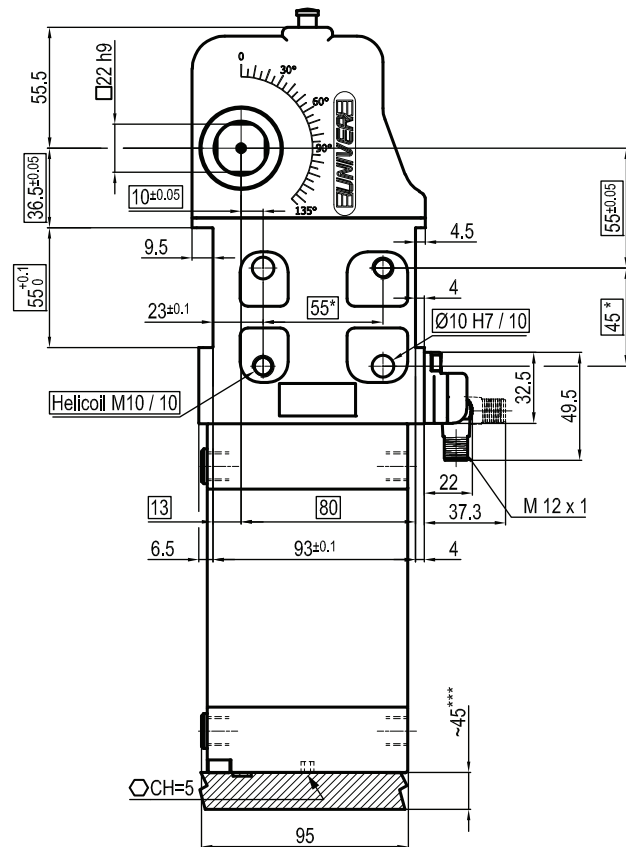
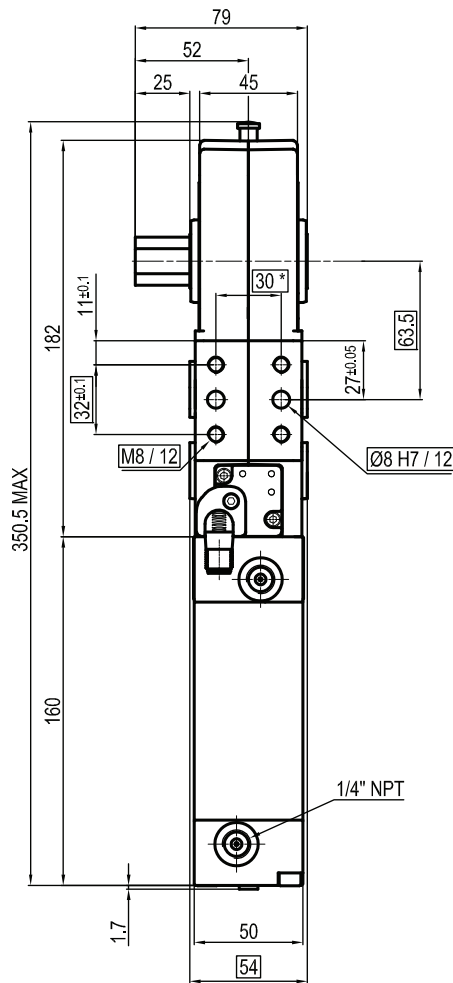
Rev. 00 10.03.20

**UNP63NLKG**


Bore Ø	Holding moment	Clamping moment (0,5 MPa)	Weight (clamping arm not included)
63 mm	1750 Nm	420 Nm	3,2 Kg

Min./Max. operating pressure: **0,4 / 0,6 MPa**  
 Operating temperature: **5° ÷ 45° C**  
 Opening angle: **adjustable**  
 Without arm  
 Electronic sensor with M12 swivel connector, from 0° to 90°  
 Supply voltage: 10 ÷ 30 Vdc  
 IP code: **IP 65**  
 Pneumatic ports on both sides

\*: TOLERANCE BETWEEN DOWELS ± 0,02, BETWEEN SCREW HOLES ± 0,1  
 \*\*: THE MEASURES REFER TO NAAMS STANDARD  
 \*\*\*: AREA TO ACCESS ANGLE ADJUSTMENT

**UNP63NLKNH**


Bore Ø	Holding moment	Clamping moment (0,5 MPa)	Weight (clamping arm not included)
63 mm	1750 Nm	420 Nm	3,2 Kg

 Min./Max. operating pressure: **0,4 / 0,6 MPa**

 Operating temperature: **5° ÷ 45° C**

 Opening angle: **adjustable**

Without arm

Electronic sensor with M12 swivel connector, from 0° to 90°

Supply voltage: 10 ÷ 30 Vdc

 IP code: **IP 65**

Pneumatic ports on both sides

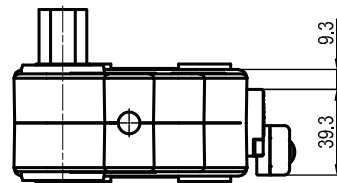
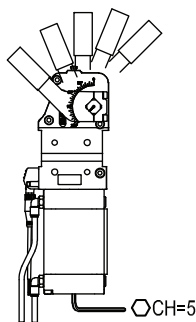
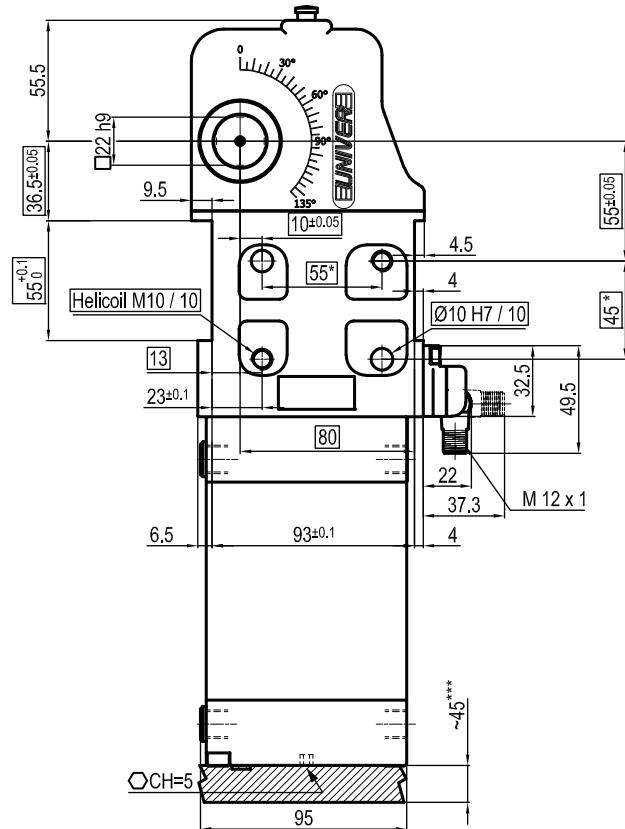
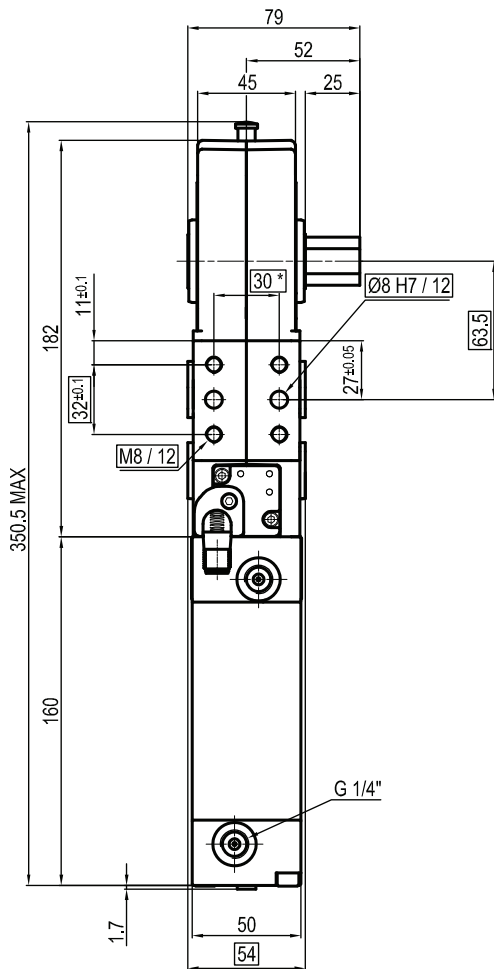
\*: TOLERANCE BETWEEN DOWELS ± 0,02, BETWEEN SCREW HOLES ± 0,1

\*\*: THE MEASURES REFER TO NAAMS STANDARD

\*\*\*: AREA TO ACCESS ANGLE ADJUSTMENT

Subject to technical modifications without notice

Rev. 00 26.08.20

**UNP63NRKG**


Bore Ø	Holding moment	Clamping moment (0,5 MPa)	Weight (clamping arm not included)
63 mm	1750 Nm	420 Nm	3,2 Kg

 Min./Max. operating pressure: **0,4 / 0,6 MPa**

 Operating temperature: **5° ÷ 45° C**

 Opening angle: **adjustable**

Without arm

Electronic sensor with M12 swivel connector, from 0° to 90°

Supply voltage: 10 ÷ 30 Vdc

 IP code: **IP 65**

Pneumatic ports on both sides

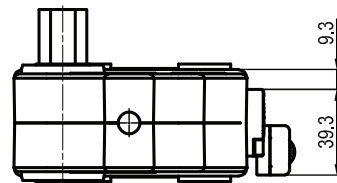
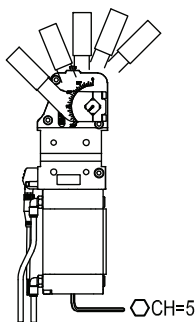
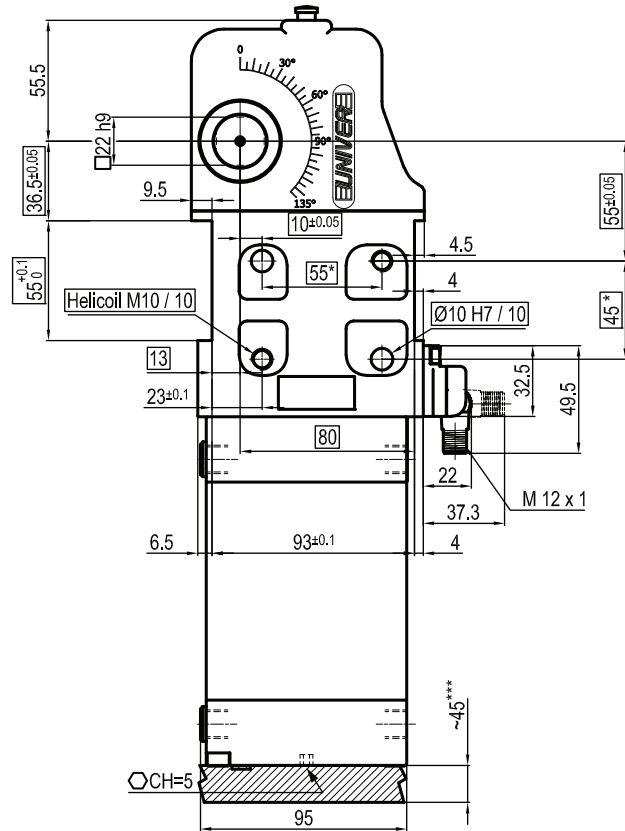
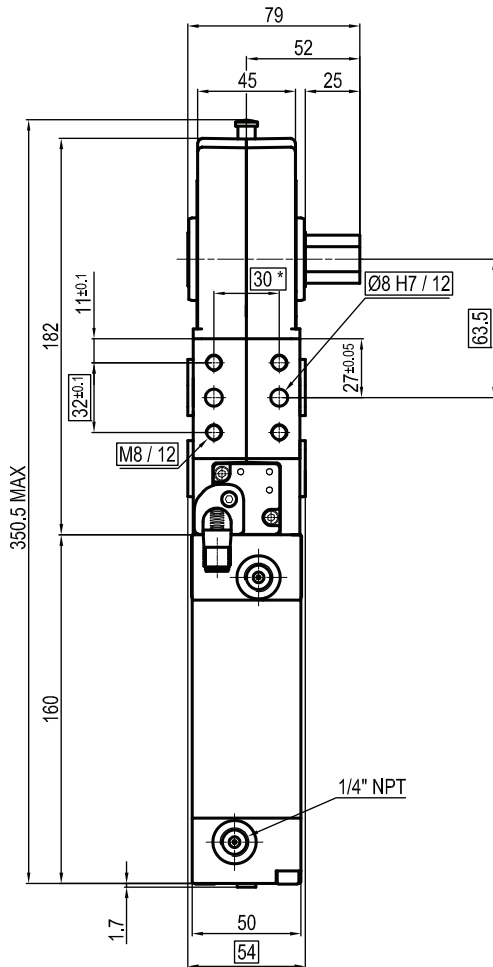
\*: TOLERANCE BETWEEN DOWELS ± 0,02, BETWEEN SCREW HOLES ± 0,1

\*\*: THE MEASURES REFER TO NAAMS STANDARD

\*\*\*: AREA TO ACCESS ANGLE ADJUSTMENT

Subject to technical modifications without notice

Rev. 00 26.08.20

**UNP63NRKNH**


Bore Ø	Holding moment	Clamping moment (0,5 MPa)	Weight (clamping arm not included)
63 mm	1750 Nm	420 Nm	3,2 Kg

 Min./Max. operating pressure: **0,4 / 0,6 MPa**

 Operating temperature: **5° ÷ 45° C**

 Opening angle: **adjustable**

Without arm

Electronic sensor with M12 swivel connector, from 0° to 90°

Supply voltage: 10 ÷ 30 Vdc

 IP code: **IP 65**

Pneumatic ports on both sides

\*: TOLERANCE BETWEEN DOWELS ± 0,02, BETWEEN SCREW HOLES ± 0,1

\*\*: THE MEASURES REFER TO NAAMS STANDARD

\*\*\*: AREA TO ACCESS ANGLE ADJUSTMENT

Subject to technical modifications without notice

Rev. 00 26.08.20