

# UNM50

Unità di bloccaggio **UNIVERSAL** con azionamento manuale standard **NAAMS**



U	N	M	5	0	N	N	K	N	H
1	2	3	4	5	6	7			



<b>1 Serie</b>	<b>2 Versione</b>	<b>3 Taglia</b>
----------------	-------------------	-----------------

**UN** = Unità di bloccaggio **UNIVERSAL** standard **NAAMS** con regolazione continua angolo d'apertura da: **0° a 135° max**

**M** = Pneumatica con azionamento manuale

**50** = Ø 50 mm

<b>4 Posizione pressore</b>	<b>5 Uscita albero quadro</b>	<b>6 Sensore di posizione</b>
-----------------------------	-------------------------------	-------------------------------

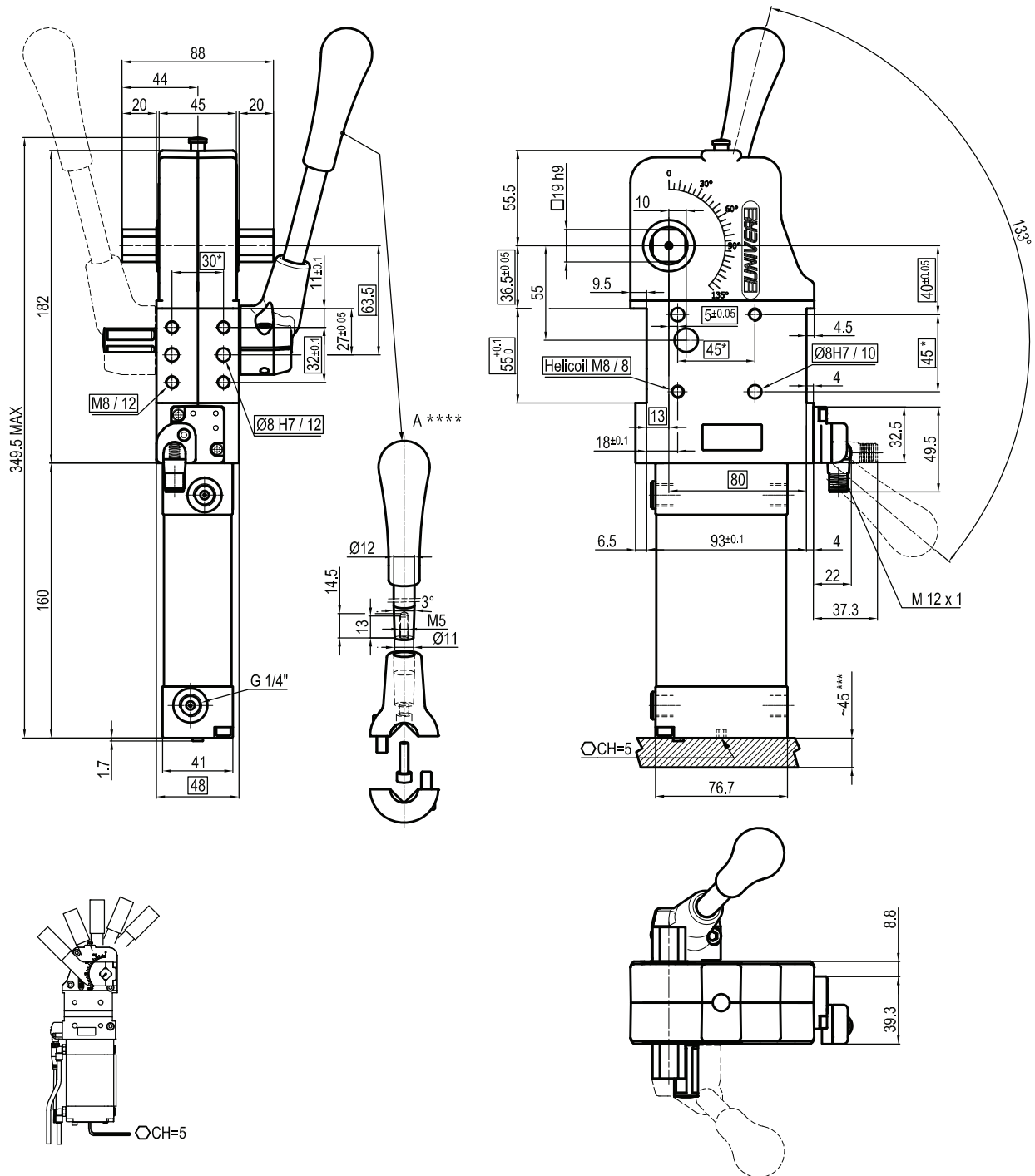
**N** = Senza pressore

**R** = Singolo lato destro  
**L** = Singolo lato sinistro  
**N** = Entrambi i lati

**N** = Senza sensore (con piastra di chiusura)  
**K** = Sensore elettronico PNP (ottico) (DF-K)

<b>7 Filetto alimentazioni</b>
--------------------------------

**G** = Gas  
**NH** = NPT

**UNM50NNKG**


Bore Ø	Holding moment	Clamping moment (0,5 MPa)	Weight (clamping arm not included)
50 mm	1250 Nm	280 Nm	3,5 Kg

 Min./Max. operating pressure: **0,4 / 0,6 MPa**

 Operating temperature: **5° ÷ 45° C**

 Opening angle: **adjustable**

Without arm

With manual lever

Electronic sensor with M12 swivel connector, from 0° to 90°

Supply voltage: 10 ÷ 30 Vdc

 IP code: **IP 65**

Pneumatic ports on both sides

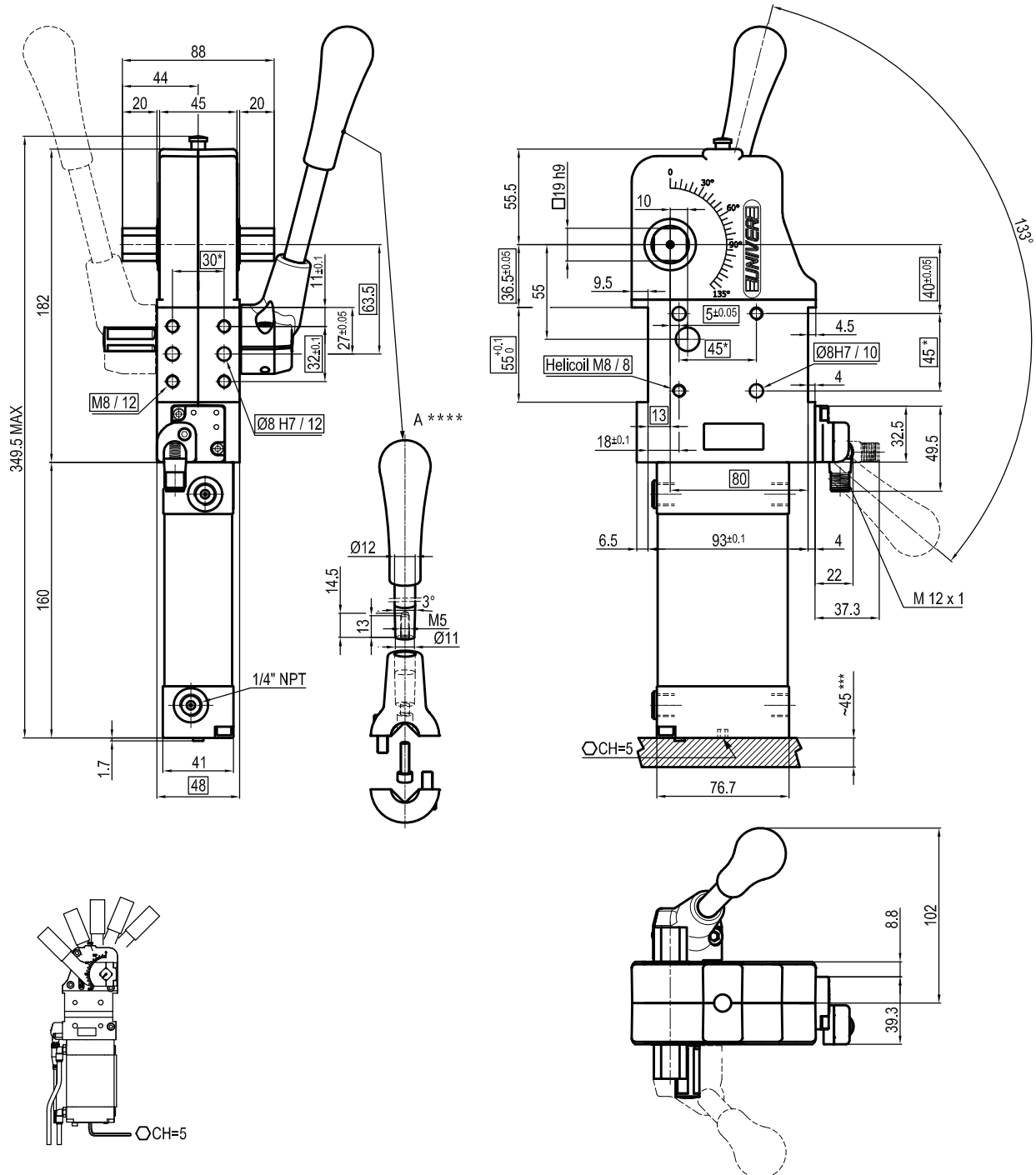
\*: TOLERANCE BETWEEN DOWELS ± 0,02, BETWEEN SCREW HOLES ± 0,1

\*\*: THE MEASURES REFER TO NAAMS STANDARD

\*\*\*: AREA TO ACCESS ANGLE ADJUSTMENT

\*\*\*\*: DIMENSIONS TO BE RESPECTED IN CASE OTHER MANUAL LEVERS ARE USED

Subject to technical modifications without notice

**UNM50NNKNH**


Bore Ø	Holding moment	Clamping moment (0,5 MPa)	Weight (clamping arm not included)
50 mm	1250 Nm	280 Nm	3,5 Kg

 Min./Max. operating pressure: **0,4 / 0,6 MPa**

 Operating temperature: **5° ÷ 45° C**

 Opening angle: **adjustable**

Without arm

With manual lever

Electronic sensor with M12 swivel connector, from 0° to 90°

Supply voltage: 10 ÷ 30 Vdc

 IP code: **IP 65**

Pneumatic ports on both sides

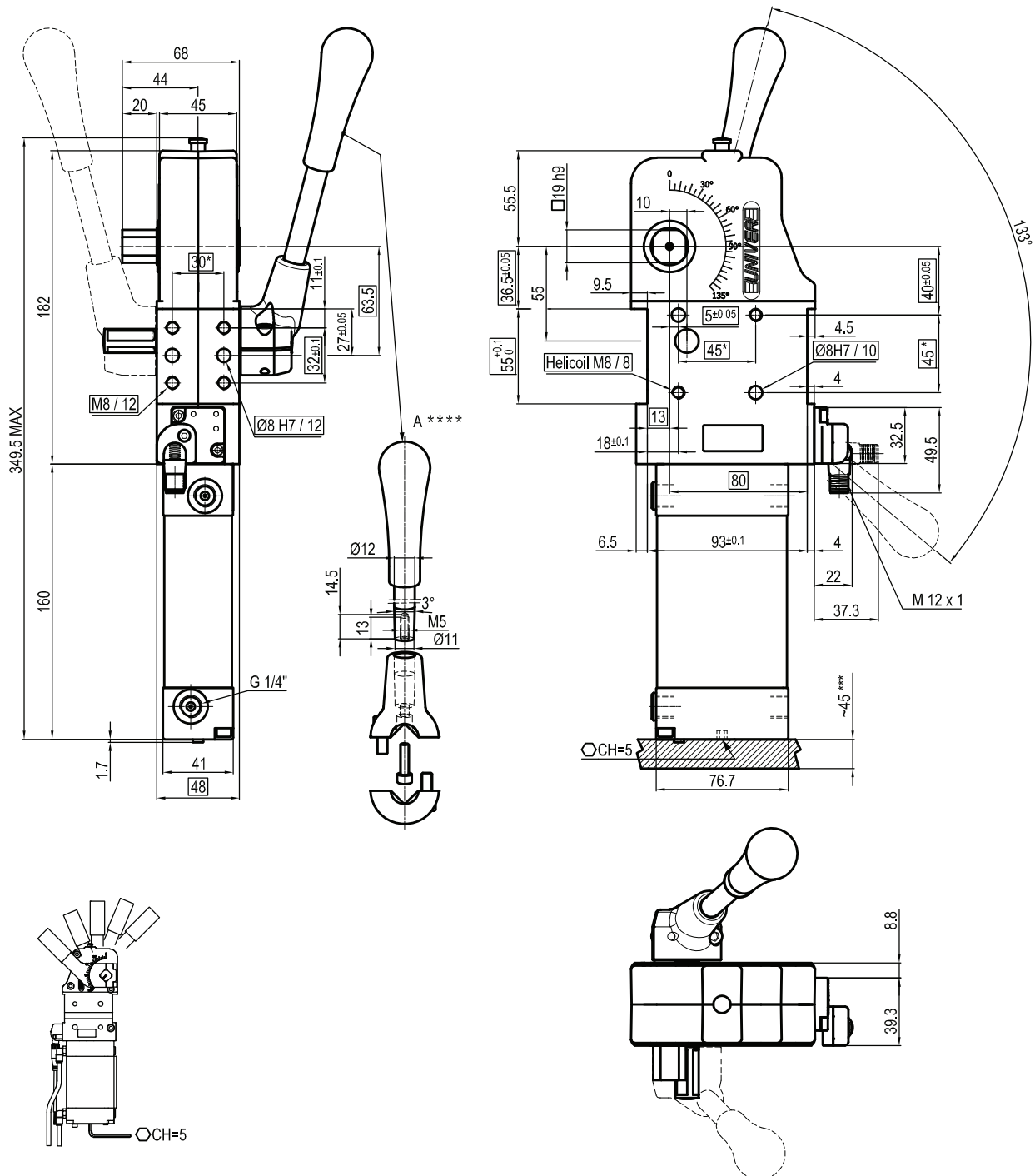
\*: TOLERANCE BETWEEN DOWELS ± 0,02, BETWEEN SCREW HOLES ± 0,1

\*\*: THE MEASURES REFER TO NAAMS STANDARD

\*\*\*: AREA TO ACCESS ANGLE ADJUSTMENT

\*\*\*\*: DIMENSIONS TO BE RESPECTED IN CASE OTHER MANUAL LEVERS ARE USED

Subject to technical modifications without notice

**UNM50NLKG**


Bore Ø	Holding moment	Clamping moment (0,5 MPa)	Weight (clamping arm not included)
50 mm	1250 Nm	280 Nm	3,5 Kg

 Min./Max. operating pressure: **0,4 / 0,6 MPa**

 Operating temperature: **5° ÷ 45° C**

 Opening angle: **adjustable**

Without arm

With manual lever

Electronic sensor with M12 swivel connector, from 0° to 90°

Supply voltage: 10 ÷ 30 Vdc

 IP code: **IP 65**

Pneumatic ports on both sides

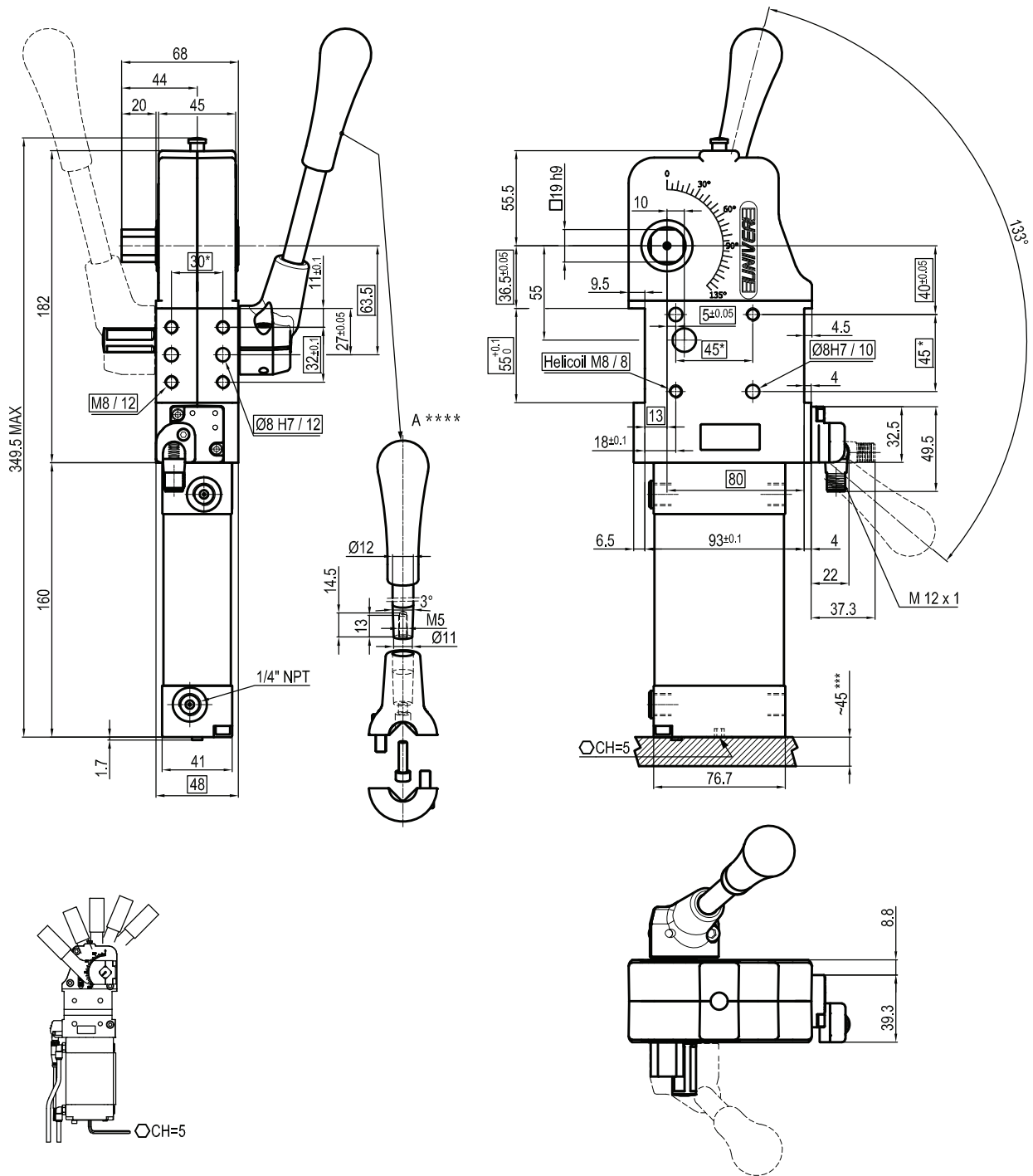
\*: TOLERANCE BETWEEN DOWELS ± 0,02, BETWEEN SCREW HOLES ± 0,1

\*\*: THE MEASURES REFER TO NAAMS STANDARD

\*\*\*: AREA TO ACCESS ANGLE ADJUSTMENT

\*\*\*\*: DIMENSIONS TO BE RESPECTED IN CASE OTHER MANUAL LEVERS ARE USED

Subject to technical modifications without notice

**UNM50NLKNH**


Bore Ø	Holding moment	Clamping moment (0,5 MPa)	Weight (clamping arm not included)
50 mm	1250 Nm	280 Nm	3,5 Kg

 Min./Max. operating pressure: **0,4 / 0,6 MPa**

 Operating temperature: **5° ÷ 45° C**

 Opening angle: **adjustable**

Without arm

With manual lever

Electronic sensor with M12 swivel connector, from 0° to 90°

Supply voltage: 10 ÷ 30 Vdc

 IP code: **IP 65**

Pneumatic ports on both sides

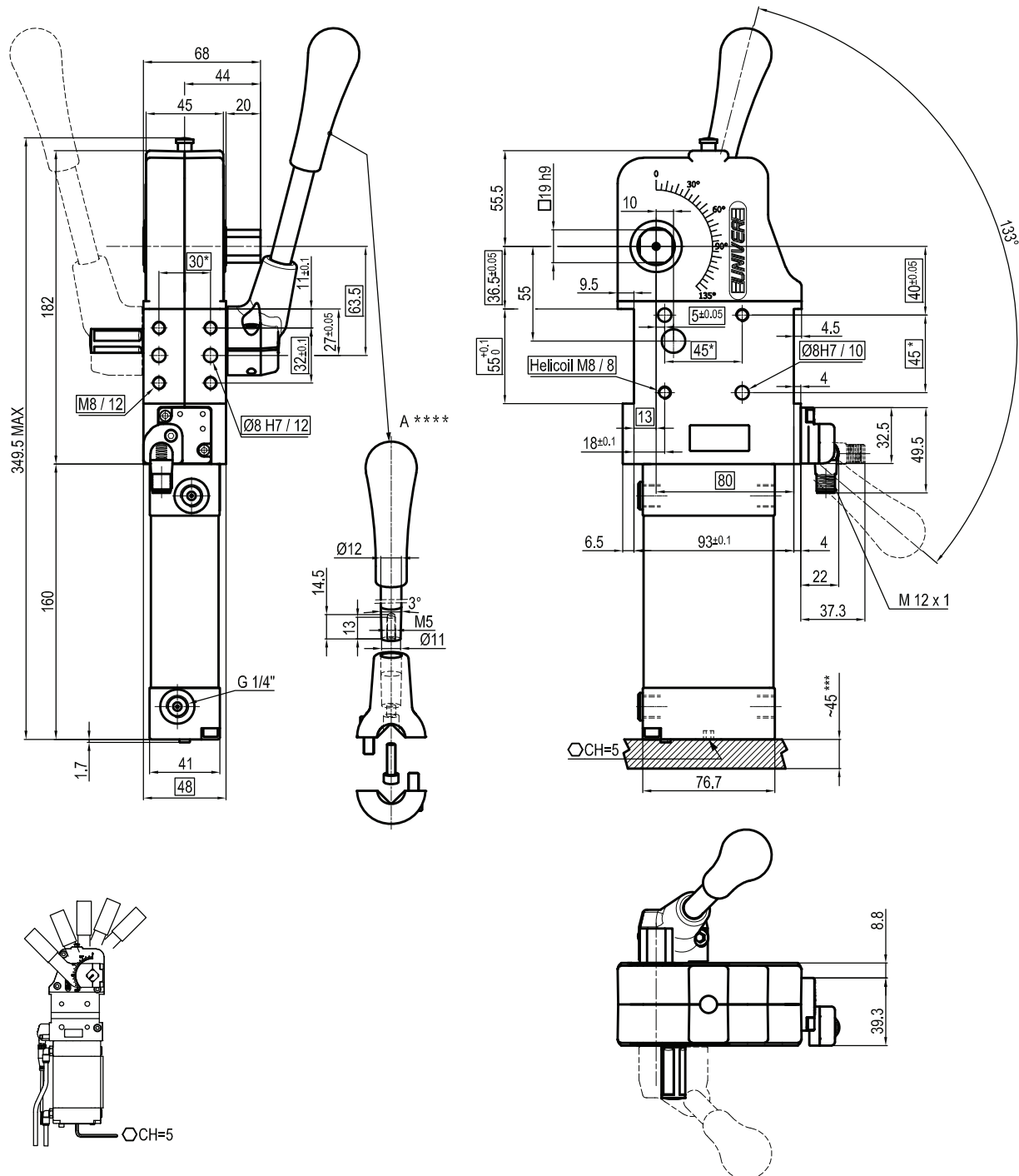
\*: TOLERANCE BETWEEN DOWELS ± 0,02, BETWEEN SCREW HOLES ± 0,1

\*\*: THE MEASURES REFER TO NAAMS STANDARD

\*\*\*: AREA TO ACCESS ANGLE ADJUSTMENT

\*\*\*\*: DIMENSIONS TO BE RESPECTED IN CASE OTHER MANUAL LEVERS ARE USED

Subject to technical modifications without notice

**UNM50NRKG**


Bore Ø	Holding moment	Clamping moment (0,5 MPa)	Weight (clamping arm not included)
50 mm	1250 Nm	280 Nm	3,5 Kg

 Min./Max. operating pressure: **0,4 / 0,6 MPa**

 Operating temperature: **5° ÷ 45° C**

 Opening angle: **adjustable**

Without arm

With manual lever

Electronic sensor with M12 swivel connector, from 0° to 90°

Supply voltage: 10 ÷ 30 Vdc

 IP code: **IP 65**

Pneumatic ports on both sides

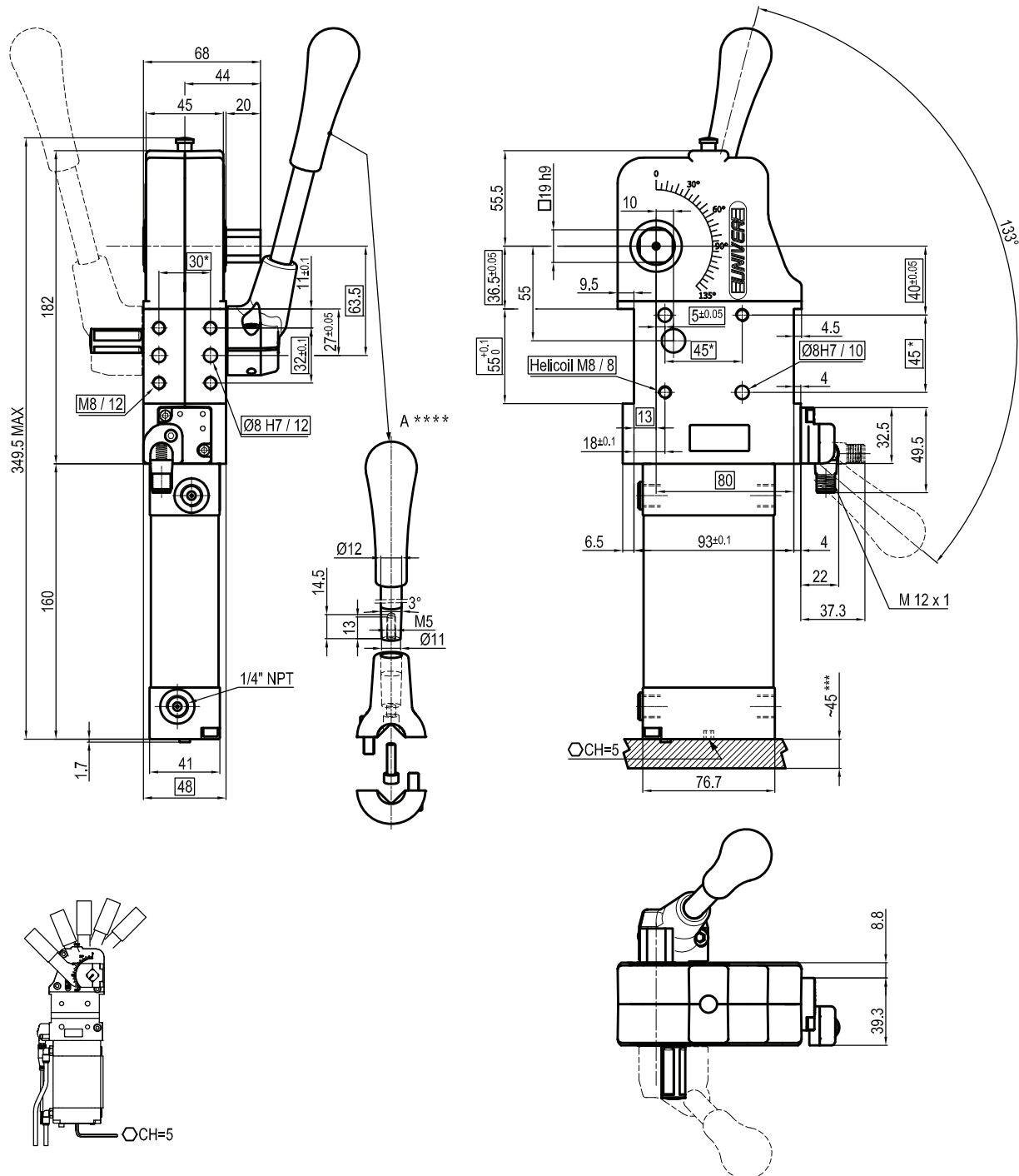
\*: TOLERANCE BETWEEN DOWELS ± 0,02, BETWEEN SCREW HOLES ± 0,1

\*\*: THE MEASURES REFER TO NAAMS STANDARD

\*\*\*: AREA TO ACCESS ANGLE ADJUSTMENT

\*\*\*\*: DIMENSIONS TO BE RESPECTED IN CASE OTHER MANUAL LEVERS ARE USED

Subject to technical modifications without notice

**UNM50NRKNH**


Bore Ø	Holding moment	Clamping moment (0,5 MPa)	Weight (clamping arm not included)
50 mm	1250 Nm	280 Nm	3,5 Kg

 Min./Max. operating pressure: **0,4 / 0,6 MPa**

 Operating temperature: **5° ÷ 45° C**

 Opening angle: **adjustable**

Without arm

With manual lever

Electronic sensor with M12 swivel connector, from 0° to 90°

Supply voltage: 10 ÷ 30 Vdc

 IP code: **IP 65**

Pneumatic ports on both sides

\*: TOLERANCE BETWEEN DOWELS ± 0,02, BETWEEN SCREW HOLES ± 0,1

\*\*: THE MEASURES REFER TO NAAMS STANDARD

\*\*\*: AREA TO ACCESS ANGLE ADJUSTMENT

\*\*\*\*: DIMENSIONS TO BE RESPECTED IN CASE OTHER MANUAL LEVERS ARE USED

Subject to technical modifications without notice