

# UBP32

Unità di bloccaggio UNIVERSAL



U	B	P	3	2	N	N	E
1	2	3	4	5	6		

## 1 Serie

**UB** = Unità di bloccaggio **UNIVERSAL**  
con regolazione continua  
angolo d'apertura da:  
**0° a 135° max**  
L'angolo di apertura può variare a seconda  
della posizione e della tipologia del pressore

## 2 Versione

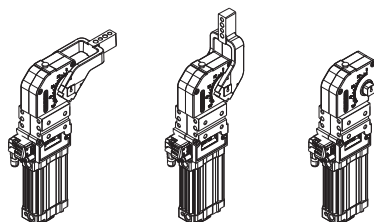
**P** = Pneumatica standard

## 3 Taglia

**32** = Ø 32 mm

## 4 Posizione pressore

**V** = 90°   **O** = 180°   **N** = Senza pressore

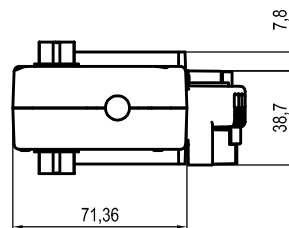
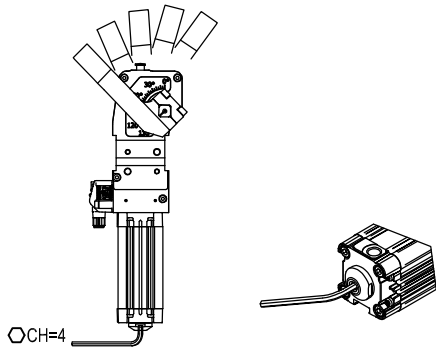
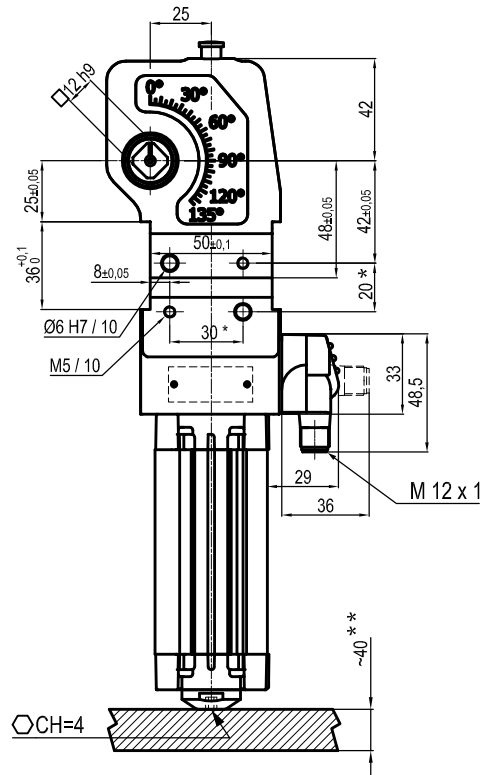
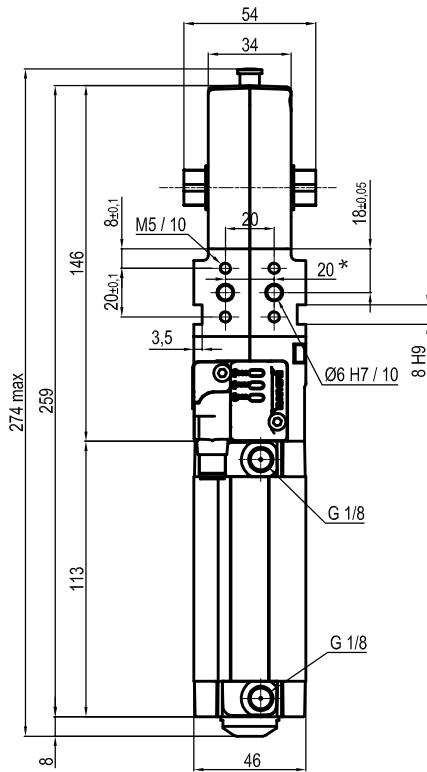


## 5 Tipo di pressore

**B** = Centrale, 0 mm offset  
**C** = Centrale, 10 mm offset  
**N** = Senza pressore

## 6 Sensore di posizione

**N** = Senza sensore  
(con piastra di chiusura)  
**E** = Sensore elettronico con  
connettore M12 orientabile



Bore Ø	Holding moment	Clamping moment	Weight (Clamping arm not included)
32 mm	250 Nm	75 Nm	1.3 Kg

Min./Max. operating pressure: **0,4 / 0,8 MPa**

Operating temperature: **5° + 45° C**

Opening angle: **adjustable**

Electronic sensor with M12 swivel connector that can be orientated at 0° or 90°

Supply voltage: 10+30 Vdc

IP code: **IP 65**

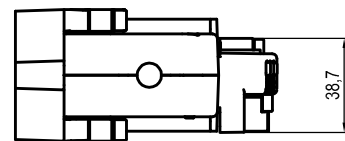
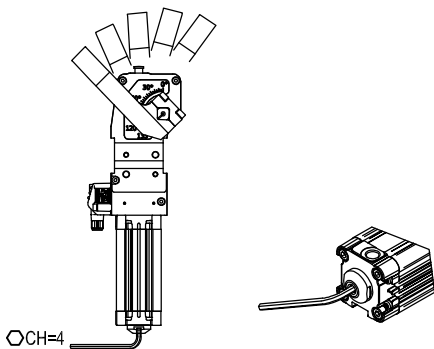
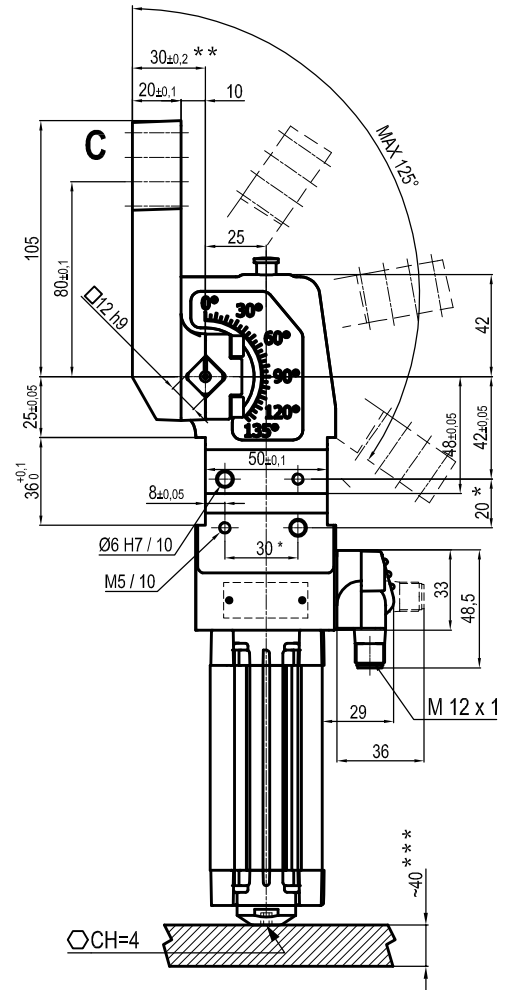
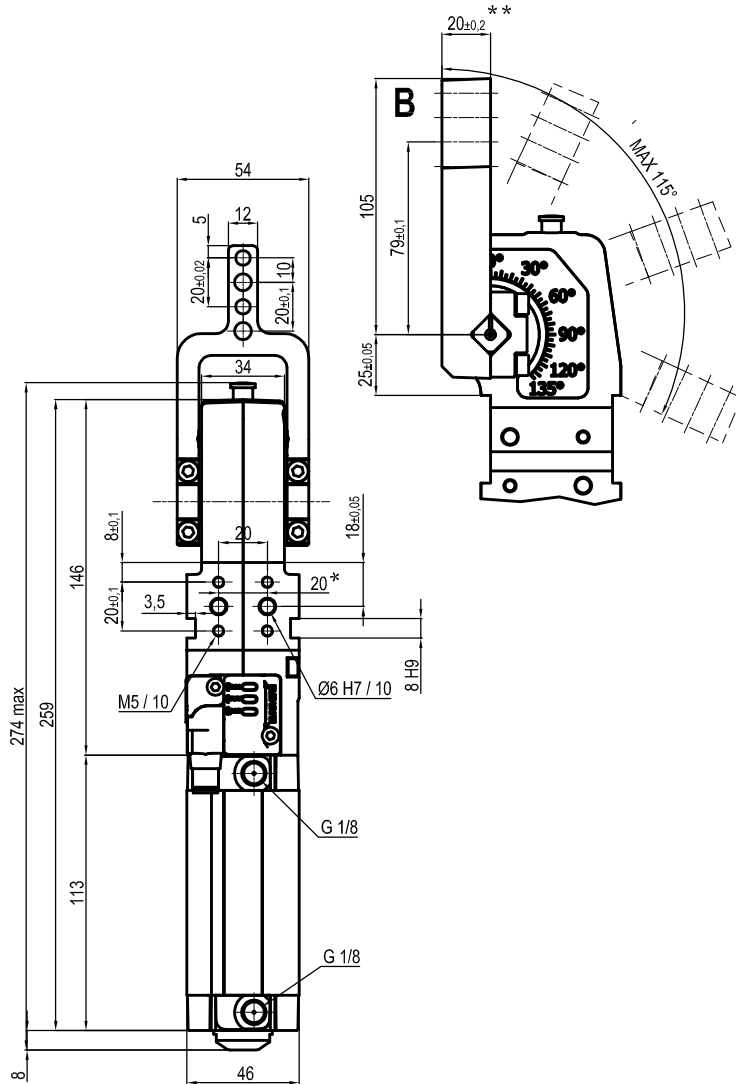
Pneumatic ports on both sides

\* : TOLERANCE BETWEEN DOWELS ± 0.02, TO SCREW HOLES ± 0.1

\*\* : AREA TO ACCES ANGLE ADJUSTMENT

Subject to technical modifications without notice

## UNIVERSAL Pneumatic clamp



Bore Ø	Holding moment	Clamping moment	Weight (Clamping arm not included)
32 mm	250 Nm	75 Nm	1.3 Kg

Min./Max. operating pressure: 0,4 / 0,8 MPa

Operating temperature: 5° ± 45° C

Opening angle: adjustable from 0° to 125°

Electronic sensor with M12 swivel connector that can be orientated at 0° or 90°

Supply voltage: 10\*30 Vdc

IP code: IP 65

Pneumatic ports on both sides

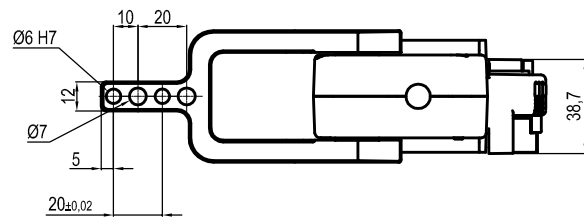
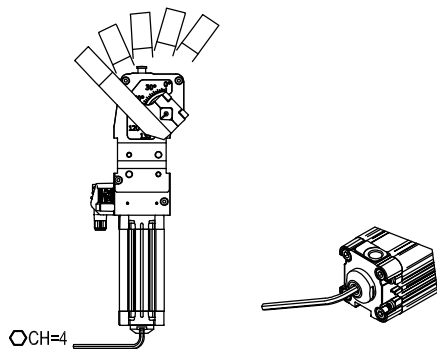
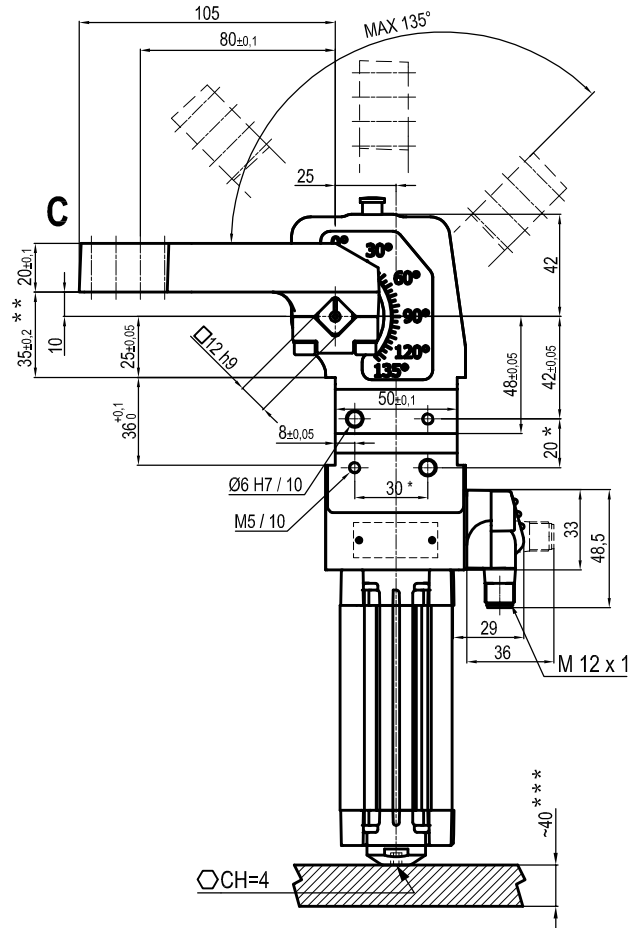
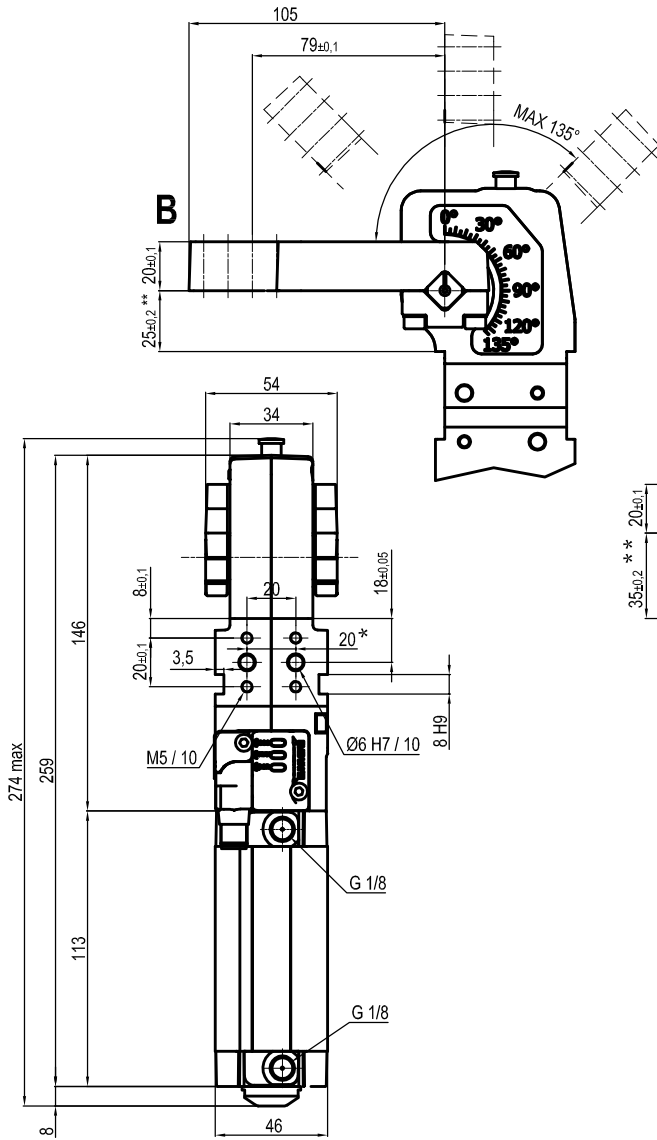
\* : TOLERANCE BETWEEN DOWELS ± 0.02, TO SCREW HOLES ± 0.1

\*\* : TOLERANCE AT 80 mm FROM PIVOT POINT

\*\*\* : AREA TO ACCES ANGLE ADJUSTMENT

Subject to technical modifications without notice

## UNIVERSAL Pneumatic clamp



Bore Ø	Holding moment	Clamping moment	Weight (Clamping arm not included)
32 mm	250 Nm	75 Nm	1.3 Kg

Min./Max. operating pressure: 0,4 / 0,8 MPa

Operating temperature: 5° + 45° C

Opening angle: adjustable from 0° to 135°

Electronic sensor with M12 swivel connector that can be orientated at 0° or 90°

Supply voltage: 10+30 Vdc

IP code: IP 65

Pneumatic ports on both sides

\* : TOLERANCE BETWEEN DOWELS ± 0.02, TO SCREW HOLES ± 0.1

\*\* : TOLERANCE AT 80 mm FROM PIVOT POINT

\*\*\* : AREA TO ACCES ANGLE ADJUSTMENT

Subject to technical modifications without notice