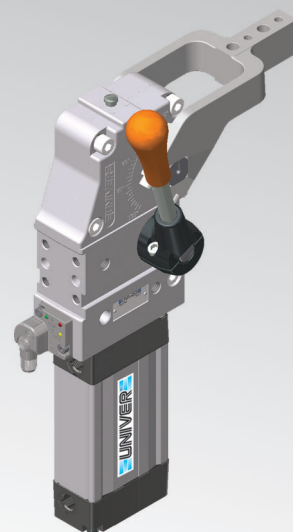


UBM50

Unità di bloccaggio UNIVERSAL



U	B	M	5	0	O	E	K	
1	2	3	4	5	6	7		

1 Serie	2 Versione	3 Taglia
---------	------------	----------

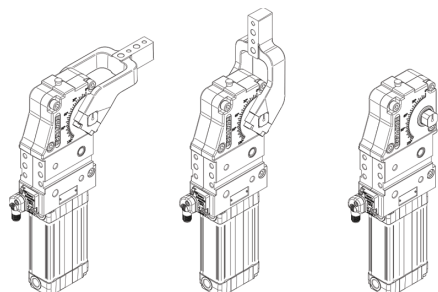
UB = Unità di bloccaggio UNIVERSAL con regolazione continua angolo d'apertura da: **0° a 135° Max**
L'angolo di apertura può variare a seconda della posizione e della tipologia del pressore

M = Pneumatica con leva manuale

50 = Ø 50 mm

4 Posizione pressore	5 Tipo di pressore	6 Sensore di posizione
----------------------	--------------------	------------------------

V = 90° **O** = 180° **N** = Senza pressore

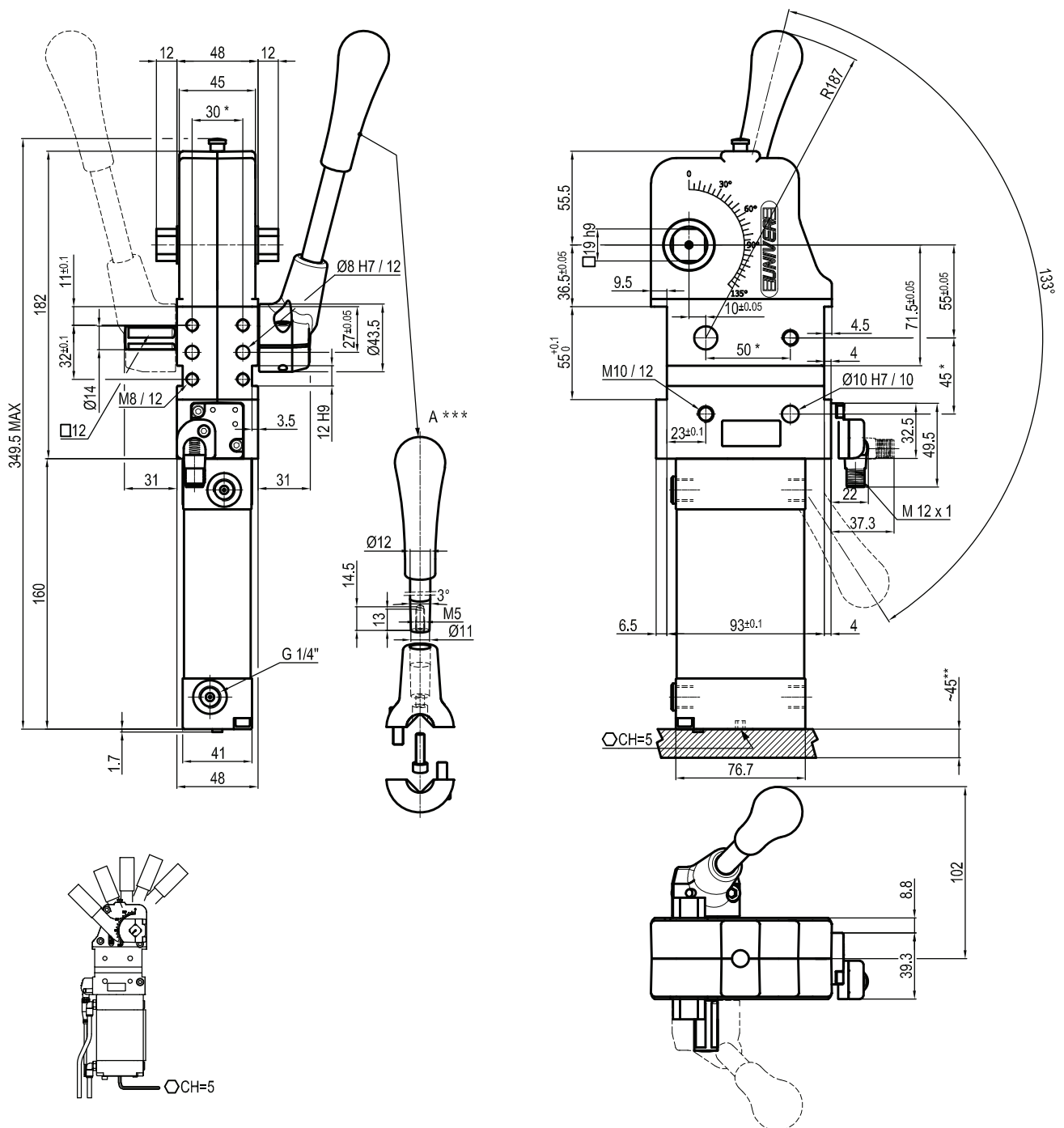


- C** = Centrale, 15 mm offset
- D** = Destro, 15 mm offset
- S** = Sinistro, 15 mm offset
- E** = Centrale, 45 mm offset
- F** = Destro, 45 mm offset
- L** = Sinistro, 45 mm offset
- X*** = Centrale con fori maggiorati Ø 8 H7, 15 mm offset
- Y*** = Destro con fori maggiorati Ø 8 H7, 15 mm offset
- Z*** = Sinistro con fori maggiorati Ø 8 H7, 15 mm offset
- T*** = Centrale con fori maggiorati Ø 8 H7, 45 mm offset
- U*** = Destro con fori maggiorati Ø 8 H7, 45 mm offset
- V*** = Sinistro con fori maggiorati Ø 8 H7, 45 mm offset
- N** = Senza pressore
- *** = Disponibili su richiesta

- N** = Senza sensore (con piastra di chiusura)
- K** = Sensore elettronico PNP (ottico) (DF-K)
- D** = Sensore pneumatico

7 Materiale pressore

S = Acciaio
Se non specificato verrà fornita la versione in alluminio

UBM50NNK


Bore Ø	Holding moment	Clamping moment (0,5 MPa)	Weight (clamping arm not included)
50 mm	1250 Nm	280 Nm	3,5 Kg

 Min./Max. operating pressure: **0,4 / 0,6 MPa**

 Operating temperature: **5° ÷ 45° C**

 Opening angle: **adjustable**

Without arm

With manual lever

Electronic sensor with M12 swivel connector, from 0° to

90° Supply voltage: 10 ÷ 30 Vdc

 IP code: **IP 65**

Pneumatic ports on both sides

*: TOLERANCE BETWEEN DOWELS ± 0,02, BETWEEN SCREW HOLES ± 0,1

**: AREA TO ACCESS ANGLE ADJUSTMENT

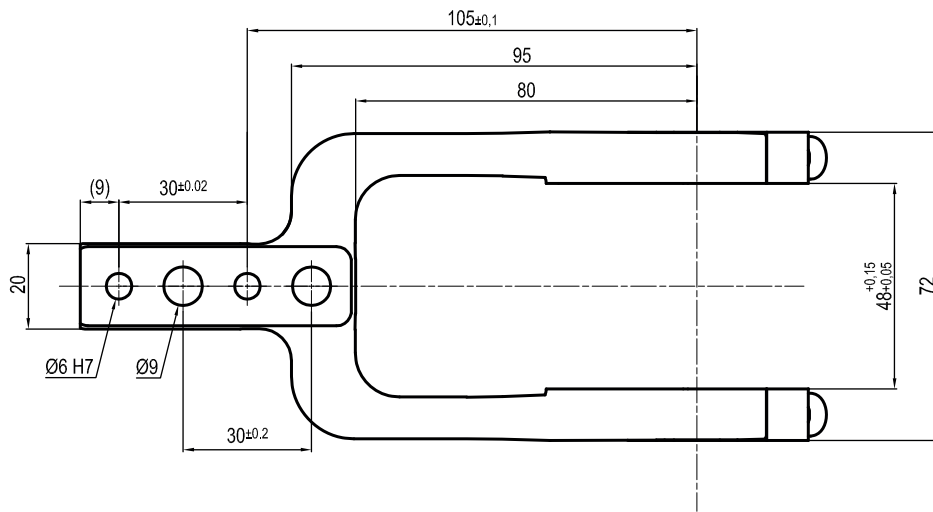
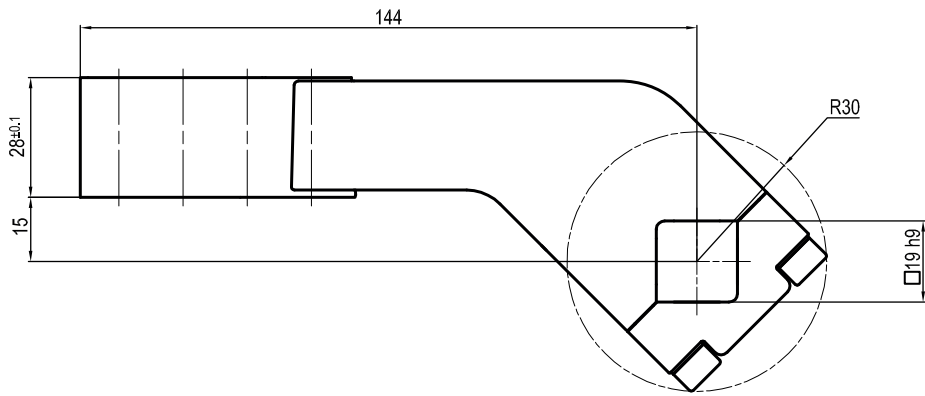
***: DIMENSIONS TO BE RESPECTED IN CASE OTHER MANUAL LEVERS ARE USED

Subject to technical modifications without notice

Rev. 00 05.02.20

LKP00CL

□ 19 mm - offset 15 mm



Clamp size	Material	Weight
50/63 mm	Aluminium	0,4 Kg

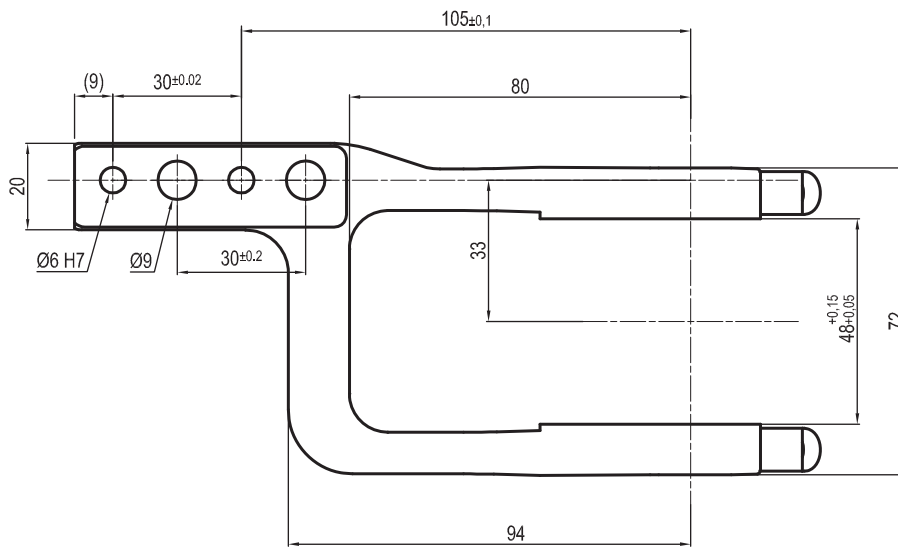
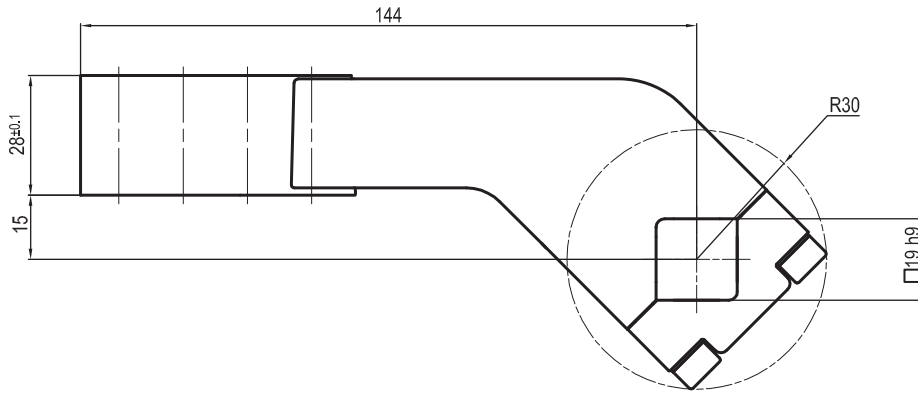
THE CLAMPING ARM INCLUDES THE NECESSARY SCREWS

Subject to technical modifications without notice

Rev. 01 09.02.16

LKP00DL

□ 19 mm - offset 15 mm



Clamp size	Material	Weight
50/63 mm	Aluminium	0,4 Kg

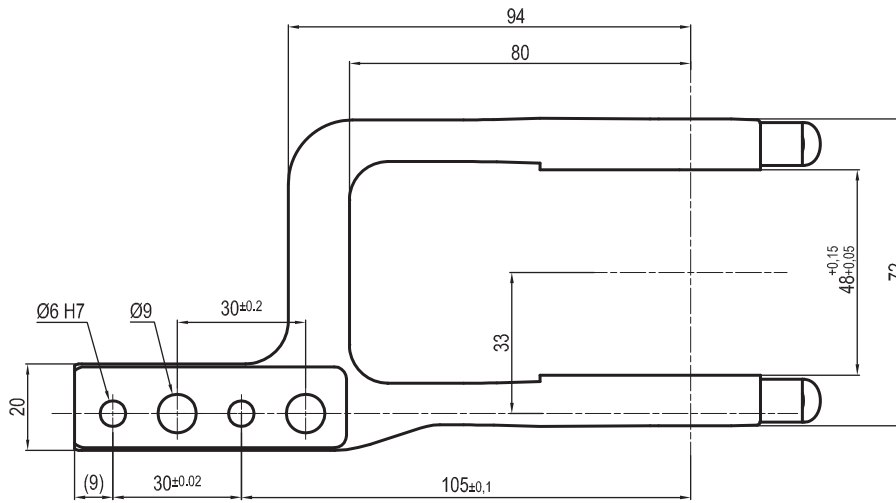
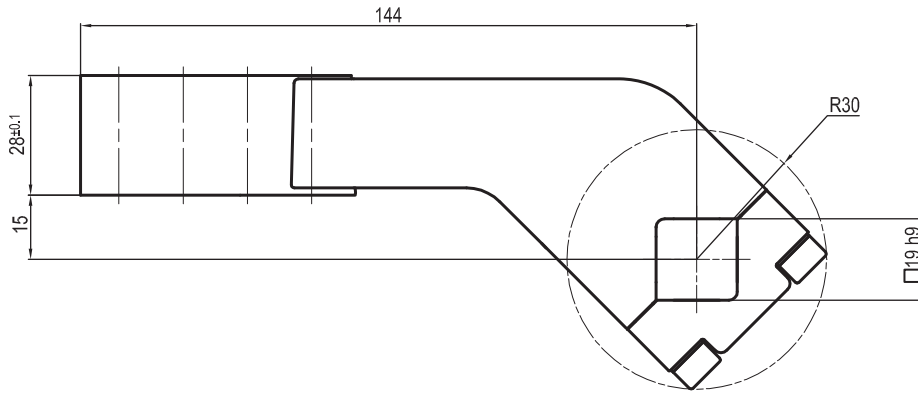
THE CLAMPING ARM INCLUDES THE NECESSARY SCREWS

Subject to technical modifications without notice

Rev. 02 14.07.16

LKP00SL

□ 19 mm - offset 15 mm



Clamp size	Material	Weight
50/63 mm	Aluminium	0,4 Kg

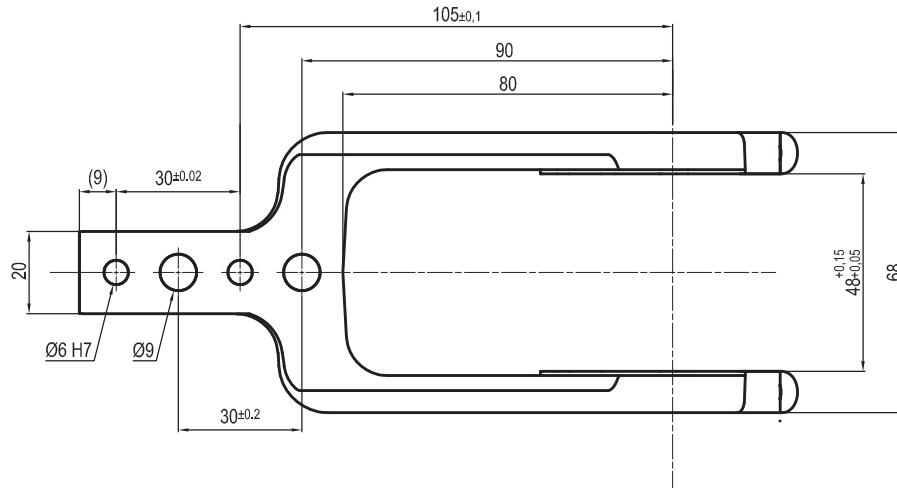
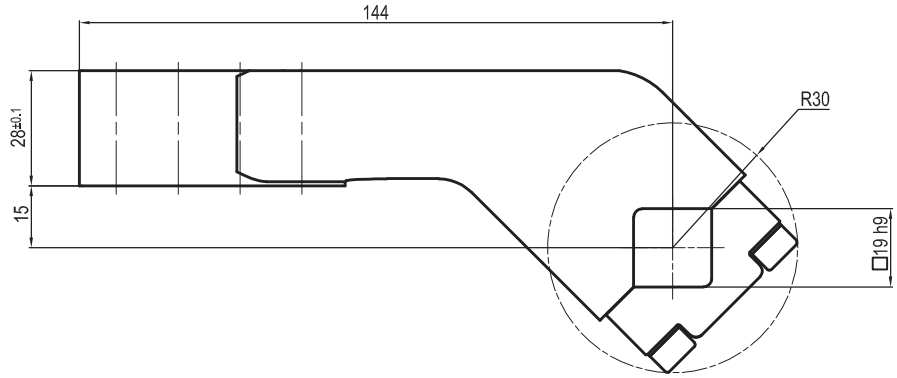
THE CLAMPING ARM INCLUDES THE NECESSARY SCREWS

Subject to technical modifications without notice

Rev. 02 15.07.16

UP210151441G

□ 19 mm - offset 15 mm



Clamp size	Material	Weight
50/63 mm	Steel	0,8 Kg

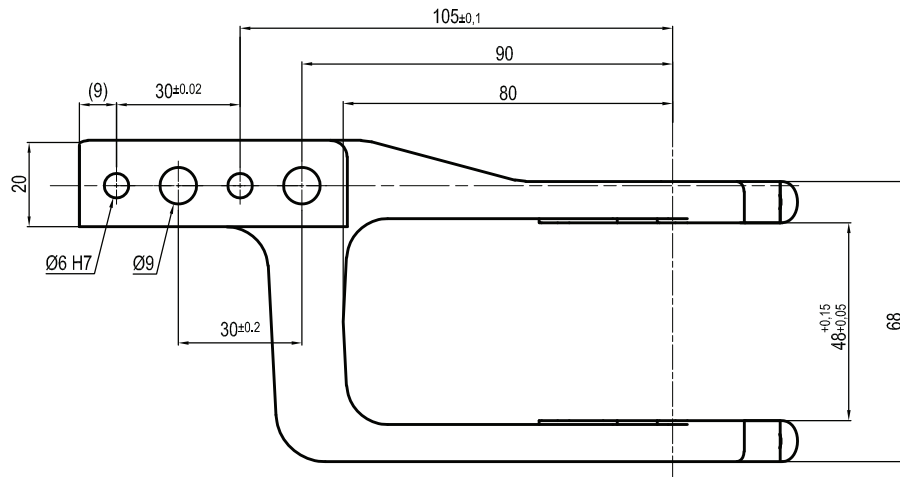
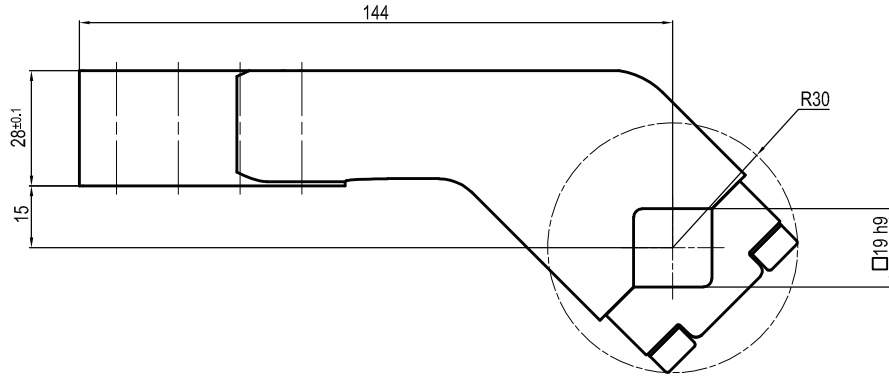
THE CLAMPING ARM INCLUDES THE NECESSARY SCREWS

Subject to technical modifications without notice

Rev. 01 15.01.16

UP210151442G

□ 19 mm - offset 15 mm



Clamp size	Material	Weight
50/63 mm	Steel	0,8 Kg

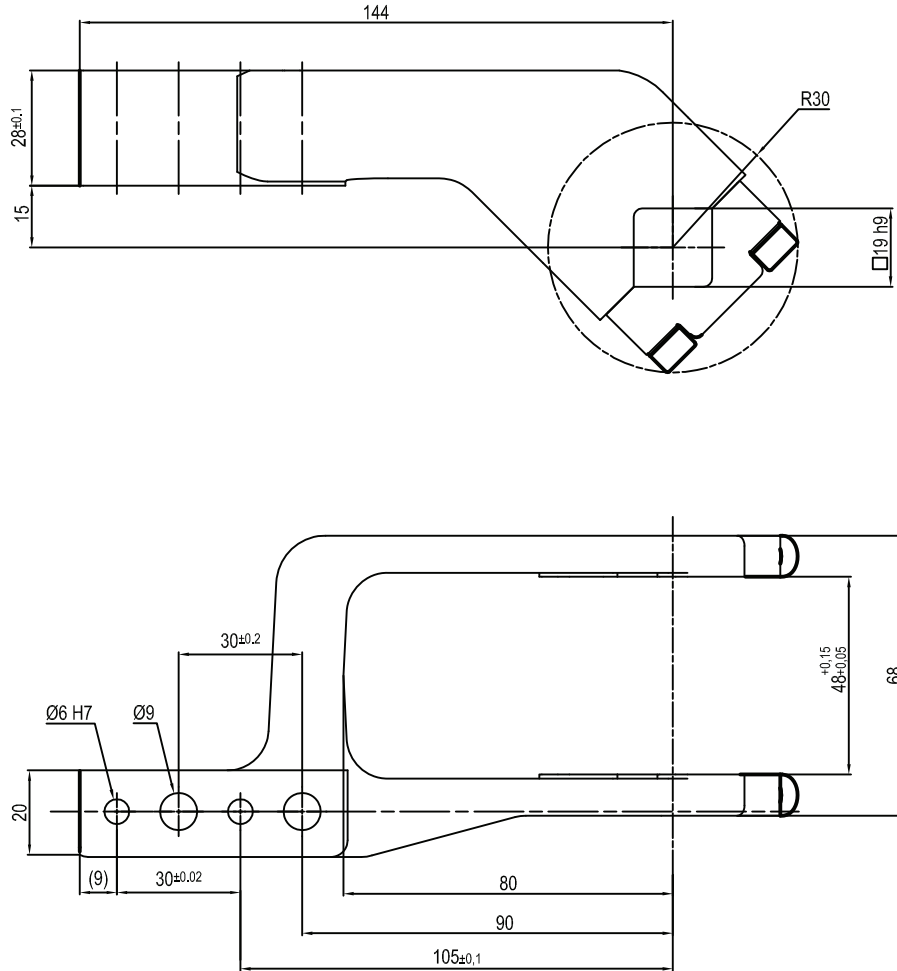
THE CLAMPING ARM INCLUDES THE NECESSARY SCREWS

Subject to technical modifications without notice

Rev. 01 15.01.16

UP210151443G

□ 19 mm - offset 15 mm



Clamp size	Material	Weight
50/63 mm	Steel	0,8 Kg

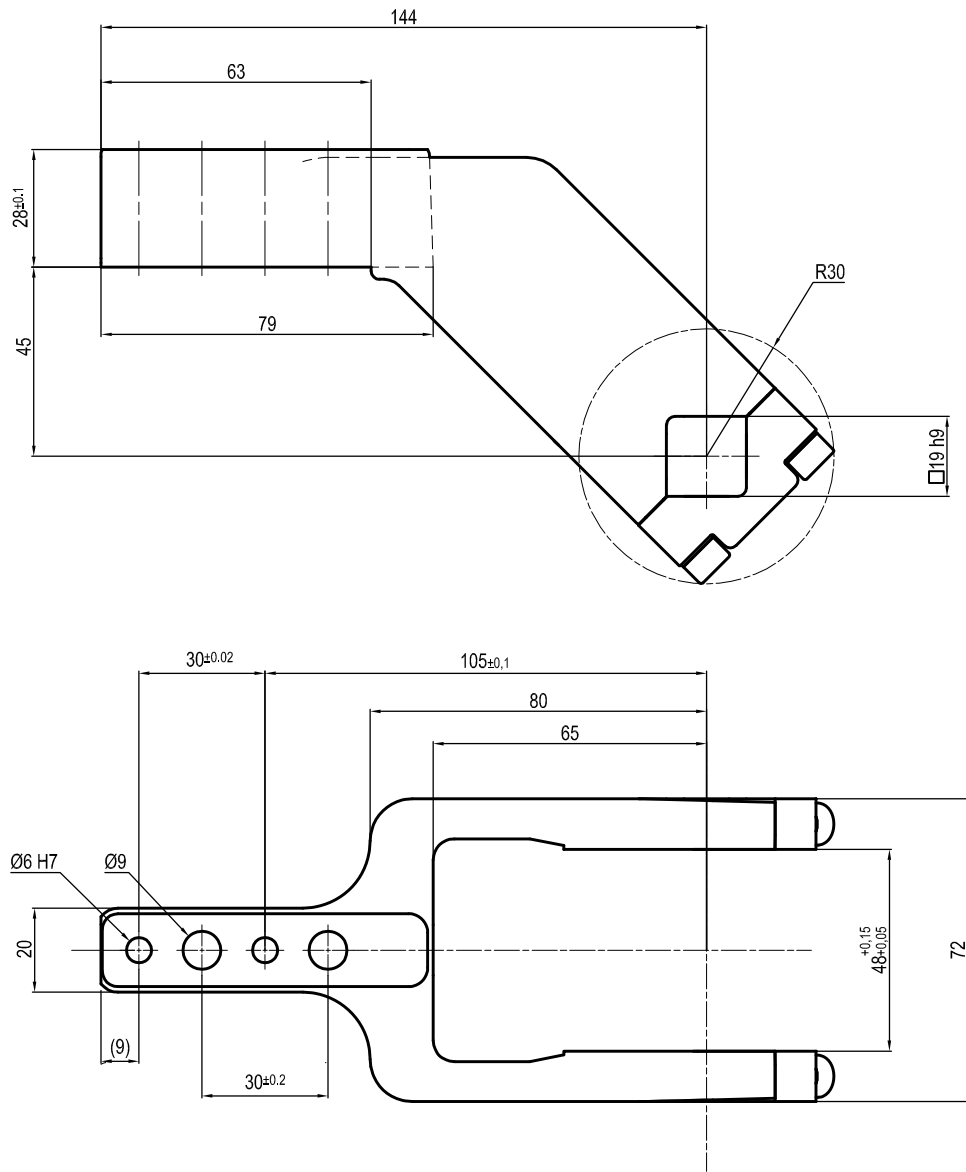
THE CLAMPING ARM INCLUDES THE NECESSARY SCREWS

Subject to technical modifications without notice

Rev. 01 15.01.16

UKP5063E

□ 19 mm - offset 45 mm



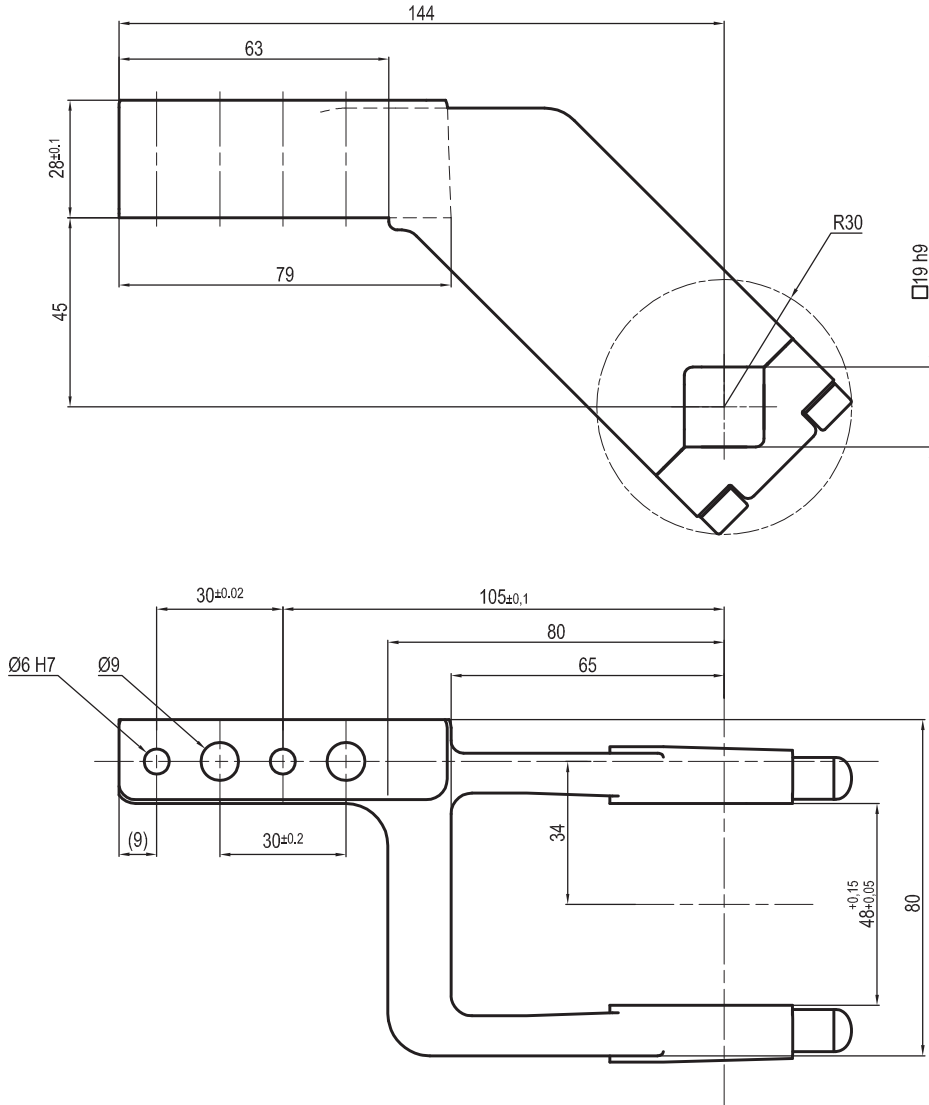
Clamp size	Material	Weight
50/63 mm	Aluminium	0,45 Kg

THE CLAMPING ARM INCLUDES THE NECESSARY SCREWS

Subject to technical modifications without notice

UKP50F

□ 19 mm - offset 45 mm



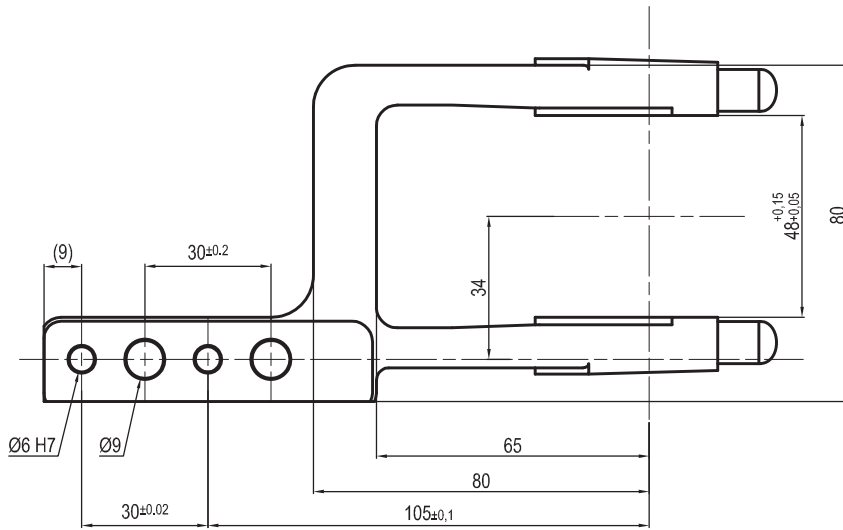
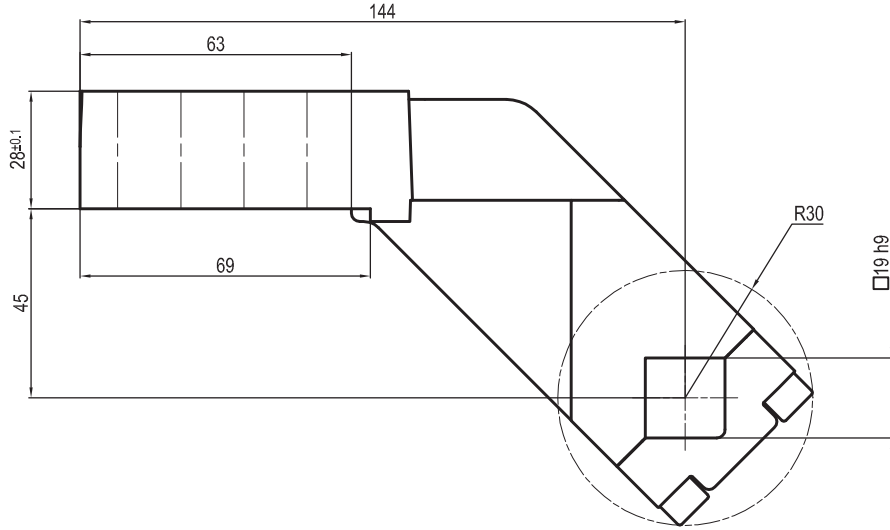
Clamp size	Material	Weight
50 mm	Aluminium	0,45 Kg

THE CLAMPING ARM INCLUDES THE NECESSARY SCREWS

Subject to technical modifications without notice

UKP50L

□ 19 mm - offset 45 mm



Clamp size	Material	Weight
50 mm	Aluminium	0,45 Kg

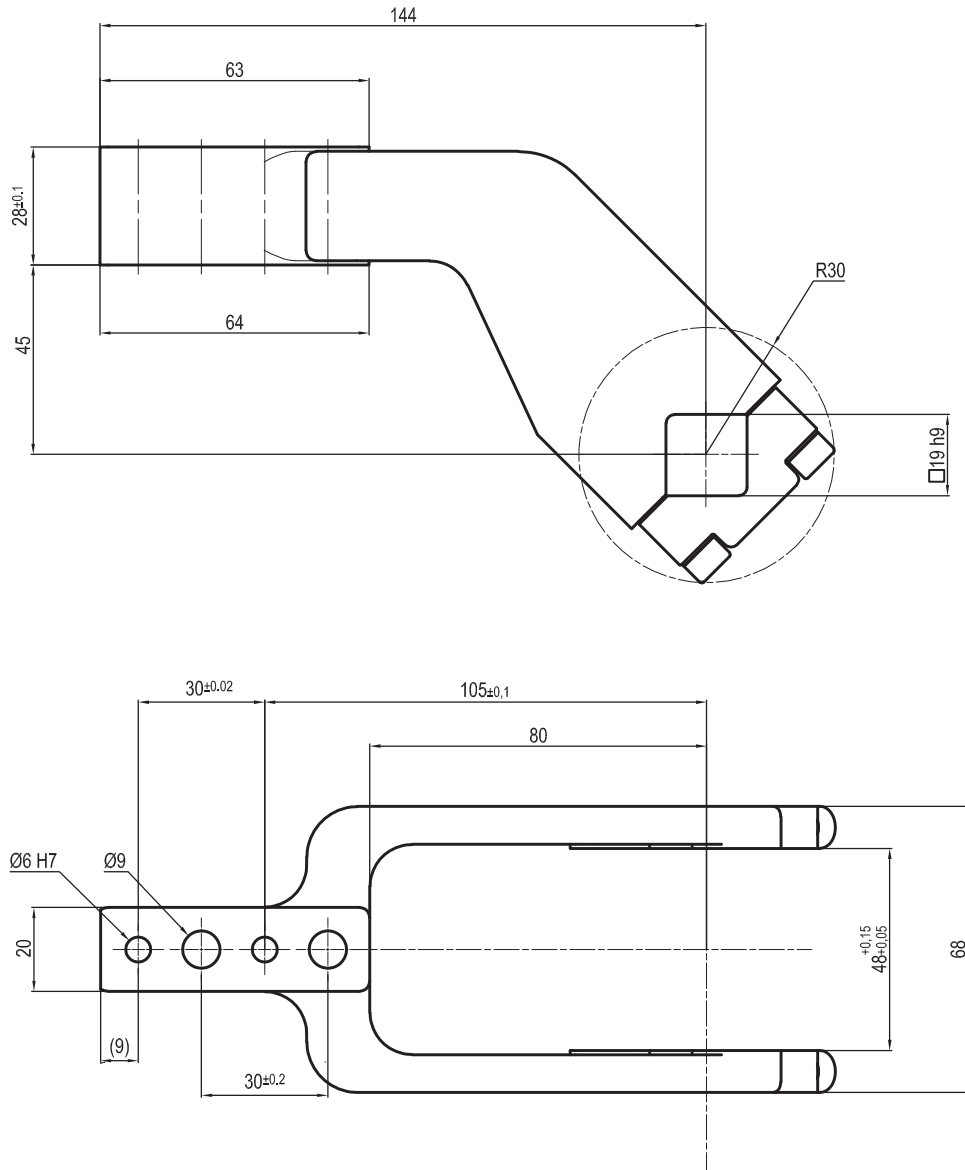
THE CLAMPING ARM INCLUDES THE NECESSARY SCREWS

Subject to technical modifications without notice

Rev. 01 15.07.16

UKP5063ES

□ 19 mm - offset 45 mm



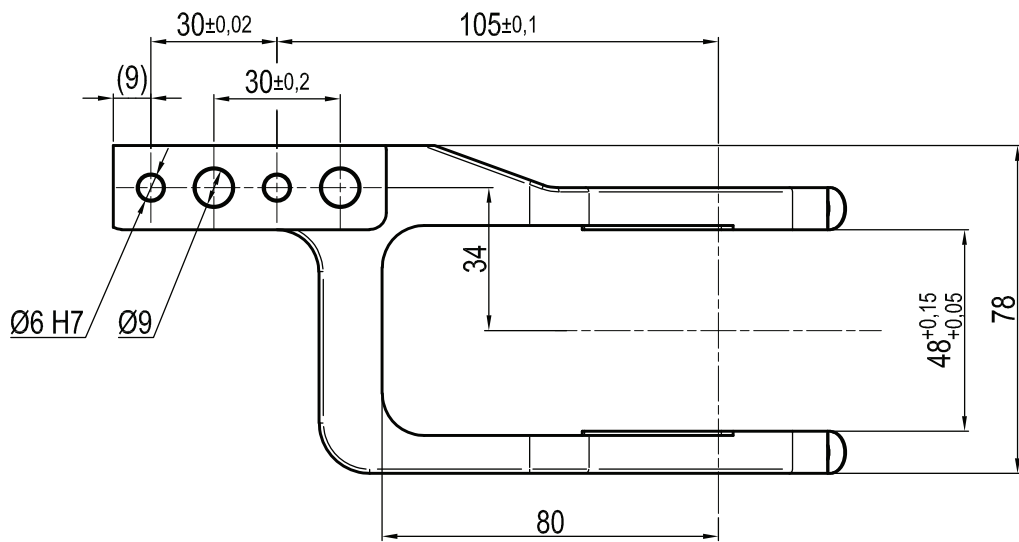
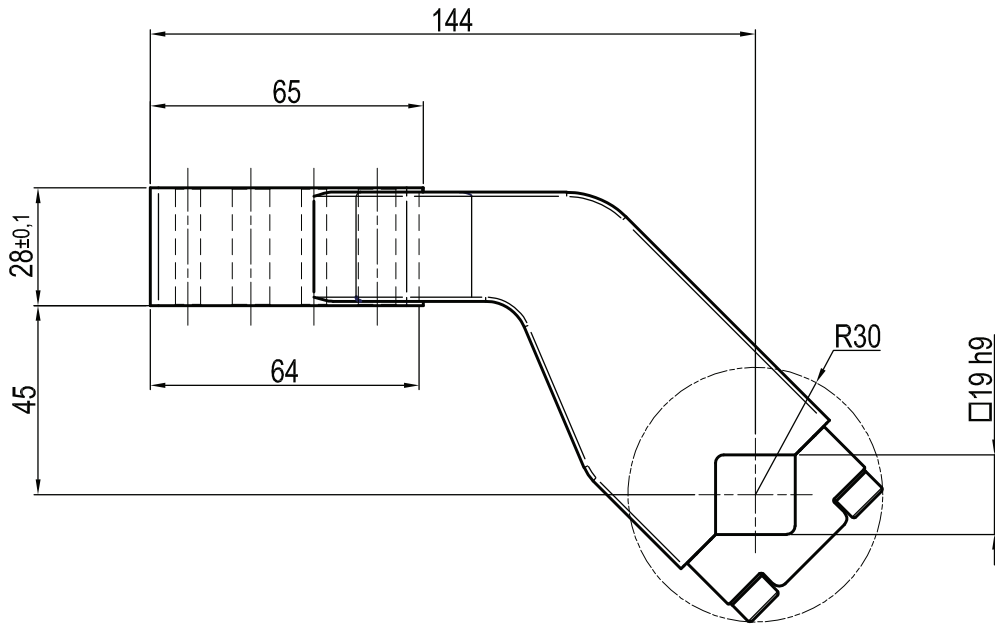
Clamp size	Material	Weight
50/63 mm	Steel	0,92 Kg

THE CLAMPING ARM INCLUDES THE NECESSARY SCREWS

Subject to technical modifications without notice

UKP50FS

□ 19 mm - offset 45 mm



Clamp size	Material	Weight
50 mm	Steel	1,16 Kg

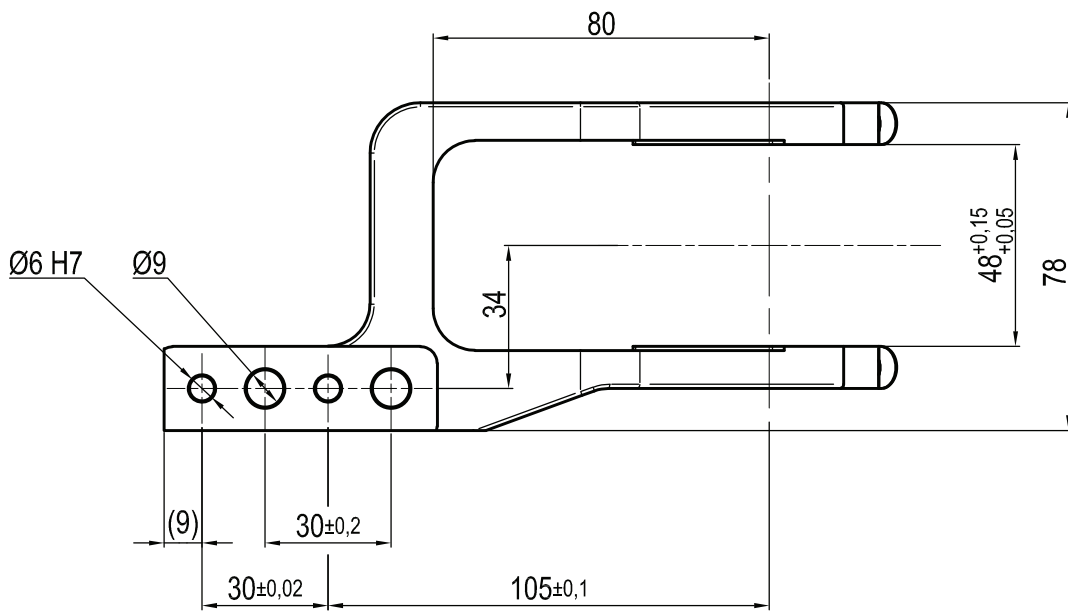
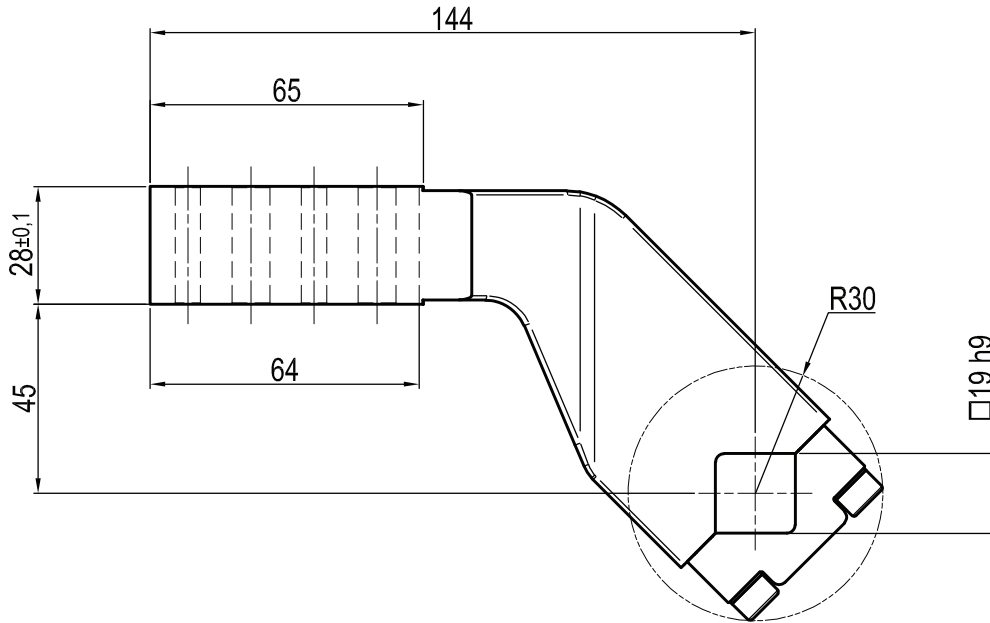
THE CLAMPING ARM INCLUDES THE NECESSARY SCREWS

Subject to technical modifications without notice

Rev. 00 16.07.20

UKP50LS

□ 19 mm - offset 45 mm



Clamp size	Material	Weight
50 mm	Steel	1,16 Kg

THE CLAMPING ARM INCLUDES THE NECESSARY SCREWS

Subject to technical modifications without notice

Rev. 00 16.07.20