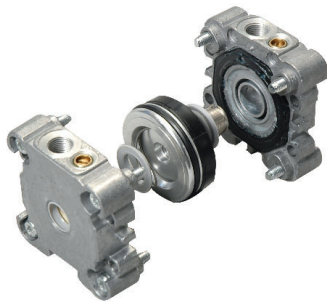


ISO 21287

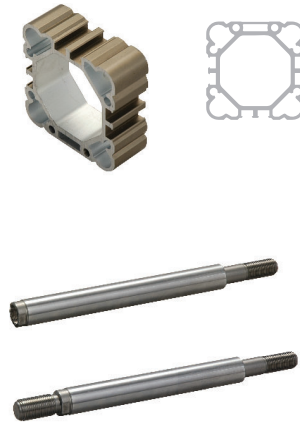
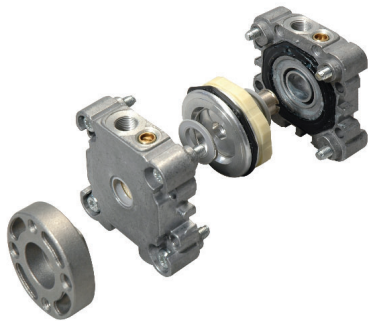
■ RP-RM

Cilindri compatti Ø 16 ÷ 100 mm



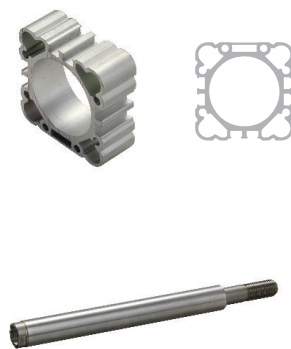
■ RO-RN

Cilindri compatti Ø 16 ÷ 63 mm



■ RS

Cilindri STRONG Ø 32 ÷ 100 mm



■ RQ

Cilindri STRONG Ø 32 ÷ 63 mm

