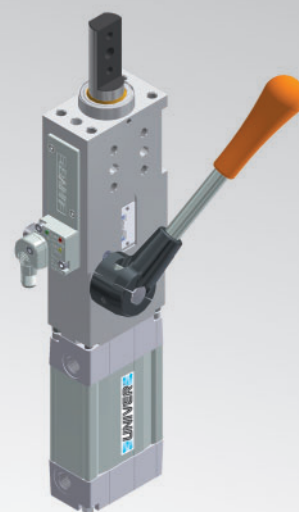


LCM50

Unità di centraggio pneumatica
con azionamento manuale,
singola asta

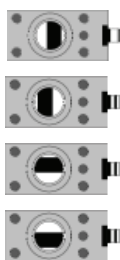


L	C	M	5	0	0	5	0	K	A	E	R
1	2	3	4				5	6	7	8	

1 Serie	2 Versione	3 Taglia
LC = Unità di centraggio	M = Pneumatica con azionamento manuale, singola asta	50 = Ø 50 mm

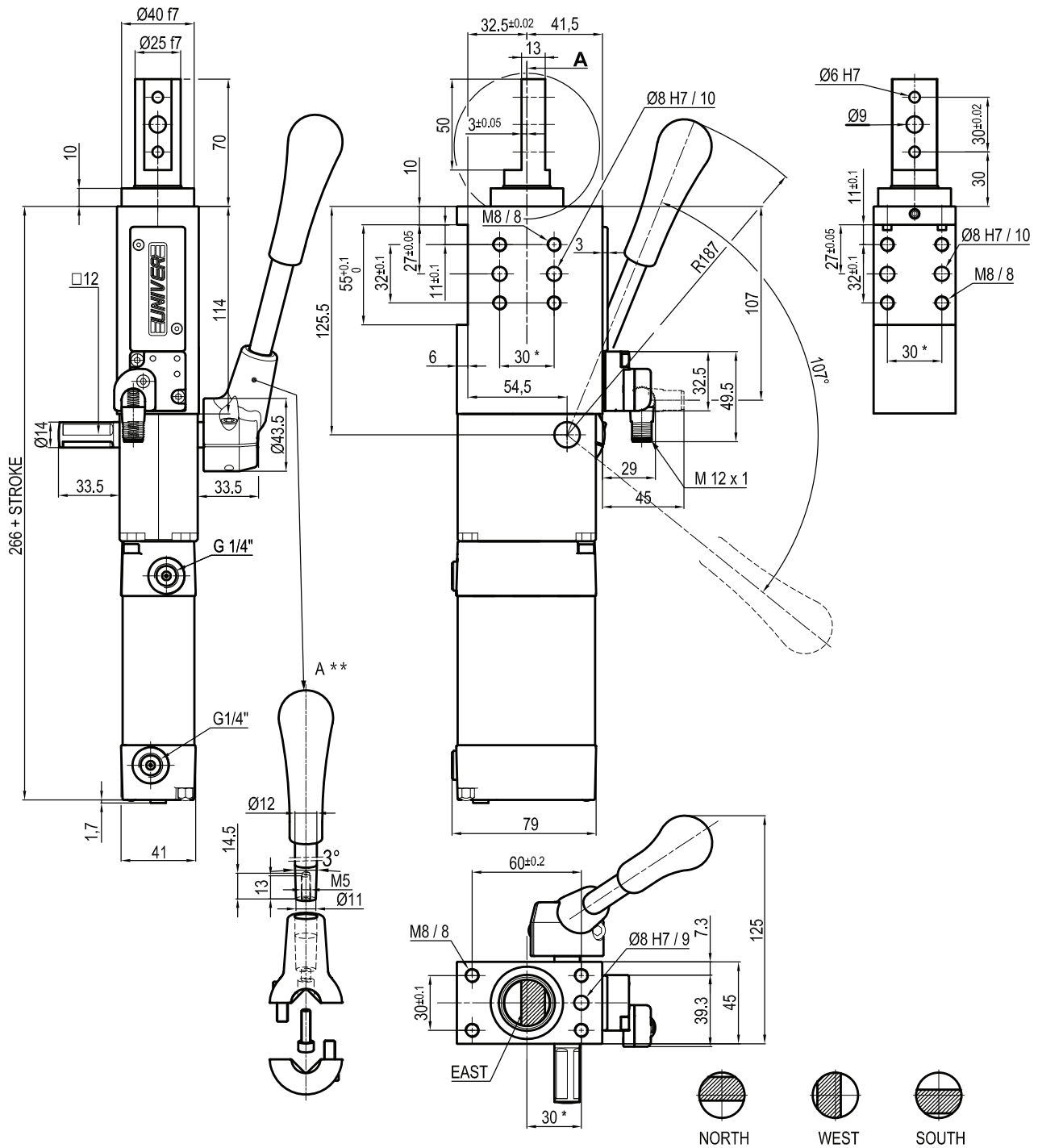
4 Corse	5 Sensore di posizione	6 Terminale asta
015 = 15 mm 025 = 25 mm 040 = 40 mm 050 = 50 mm 060 = 60 mm	D = Sensore pneumatico N = Senza sensore (con piastra di chiusura) K = Sensore elettronico PNP (ottico) (DF-K)	A = Asta per centraggi dislocati B = Asta con impronta a chiavetta C = Asta con impronta a chiavetta a croce, Ø interno 16 mm D = Asta per centraggi dislocati con fori spina maggiorati E = Asta con impronta chiavetta a croce, Ø interno 10 mm F = Asta con sede fissaggio laterale H = Asta con terminale piatto, Ø interno 10 mm I = Asta con terminale piatto, Ø interno 12 mm L = Asta con Ø interno 12 mm compatibile con CNOMO standard M = Asta con Ø interno 20 mm compatibile con CNOMO standard

7 Orientamento asta	8 Opzione
E = est, standard O = ovest N = nord S = sud	R = Raschiastelo metallico



Solo con terminale asta A o D

LCM50__KA_R



Bore Ø	Max. pull force 0,5 MPa	Max. push force 0,5 MPa	Max. torque 6 Nm	Max. deflection moment 7,5 Nm	Weight
50 mm	560 N	615 N	± 0,06°	± 0,03°	3,4 Kg

 Min./Max. operating pressure: **0,4 / 0,6 MPa**

 Operating temperature: **5°± 45° C**

 Strokes in mm.: **15 - 25 - 40 - 50 - 60**

With manual lever

Electronic sensor with M12 swivel connector, from 0° to 90°

Supply voltage: 10 ÷ 30 Vdc

 IP code: **IP 65**

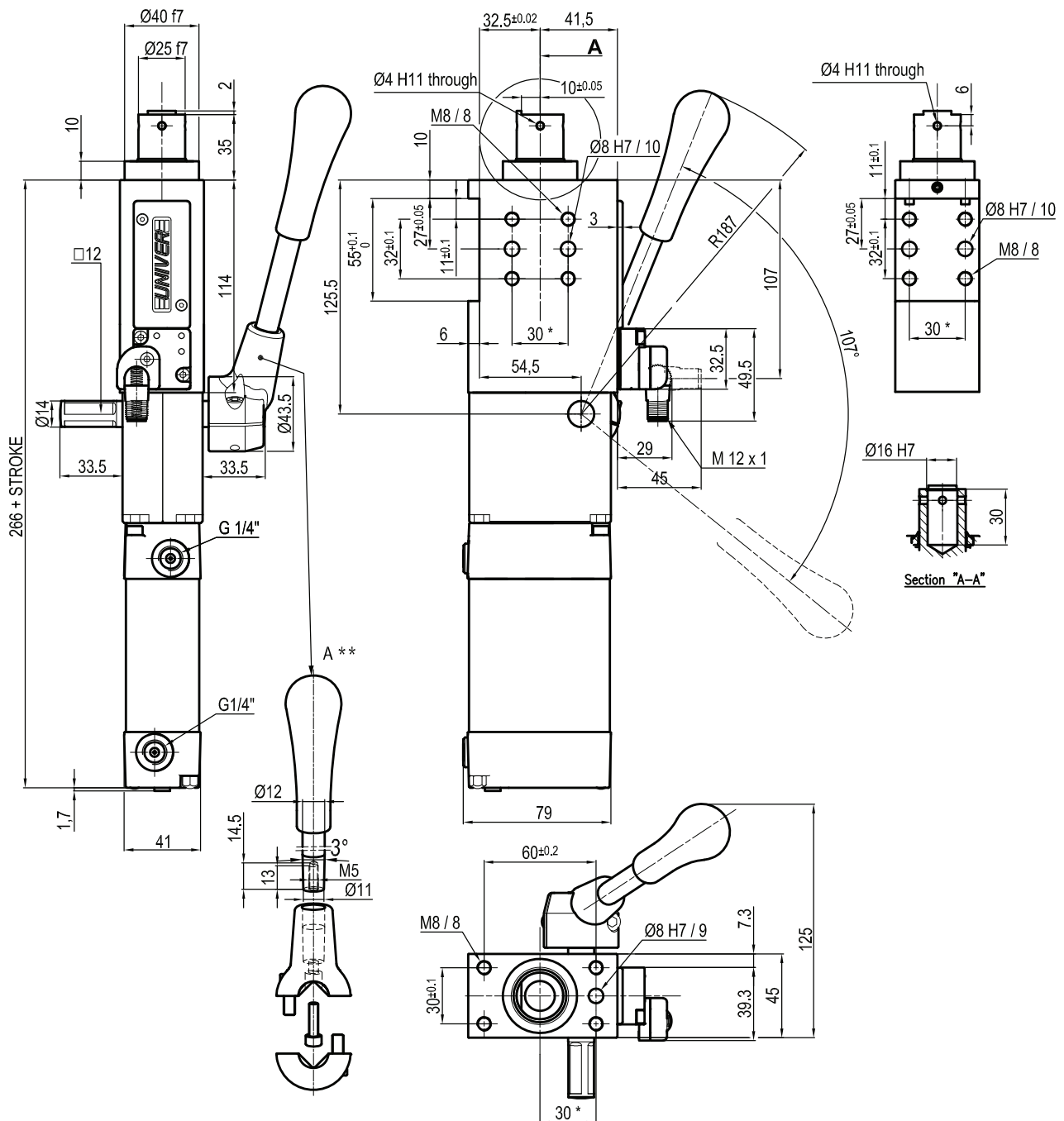
Pneumatic ports on both sides

* : TOLERANCE BETWEEN DOWELS ± 0,02, BETWEEN SCREW HOLES ± 0,1

**: DIMENSIONS TO BE RESPECTED IN CASE OTHER MANUAL LEVERS ARE USED

Subject to technical modifications without notice

LCM50 ___ KBR



Bore Ø	Max. pull force 0,5 MPa	Max. push force 0,5 MPa	Max. torque 6 Nm	Max. deflection moment 7,5 Nm	Weight
50 mm	560 N	615 N	± 0,06°	± 0,03°	3,4 Kg

 Min./Max. operating pressure: **0,4 / 0,6 MPa**

 Operating temperature: **5° ± 45° C**

 Strokes in mm.: **15 - 25 - 40 - 50 - 60**

With manual lever

Electronic sensor with M12 swivel connector, from 0° to 90°

Supply voltage: 10 ÷ 30 Vdc

 IP code: **IP 65**

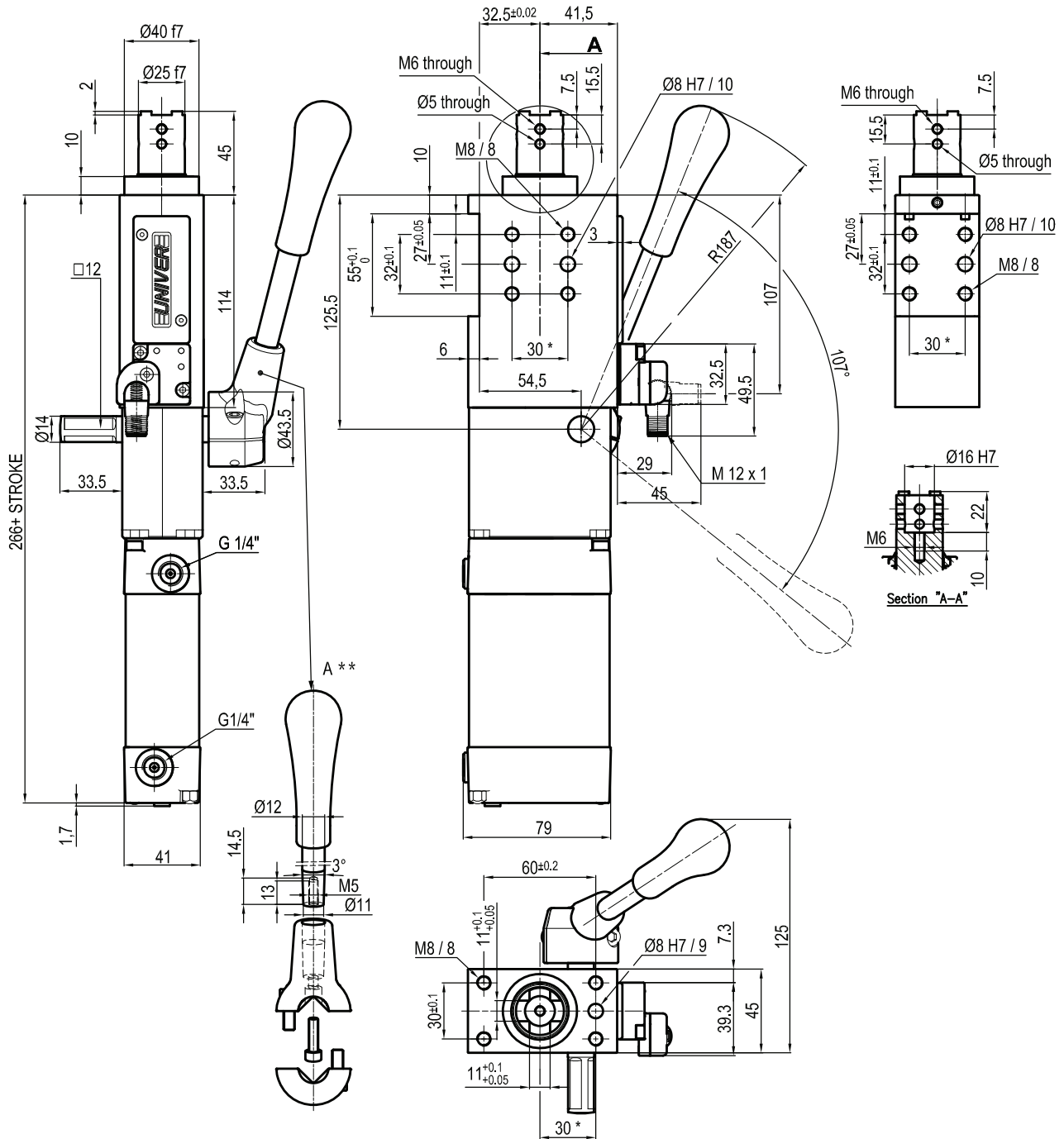
Pneumatic ports on both sides

* : TOLERANCE BETWEEN DOWELS ± 0,02, BETWEEN SCREW HOLES ± 0,1

**: DIMENSIONS TO BE RESPECTED IN CASE OTHER MANUAL LEVERS ARE USED

Subject to technical modifications without notice

LCM50 ___ KCR



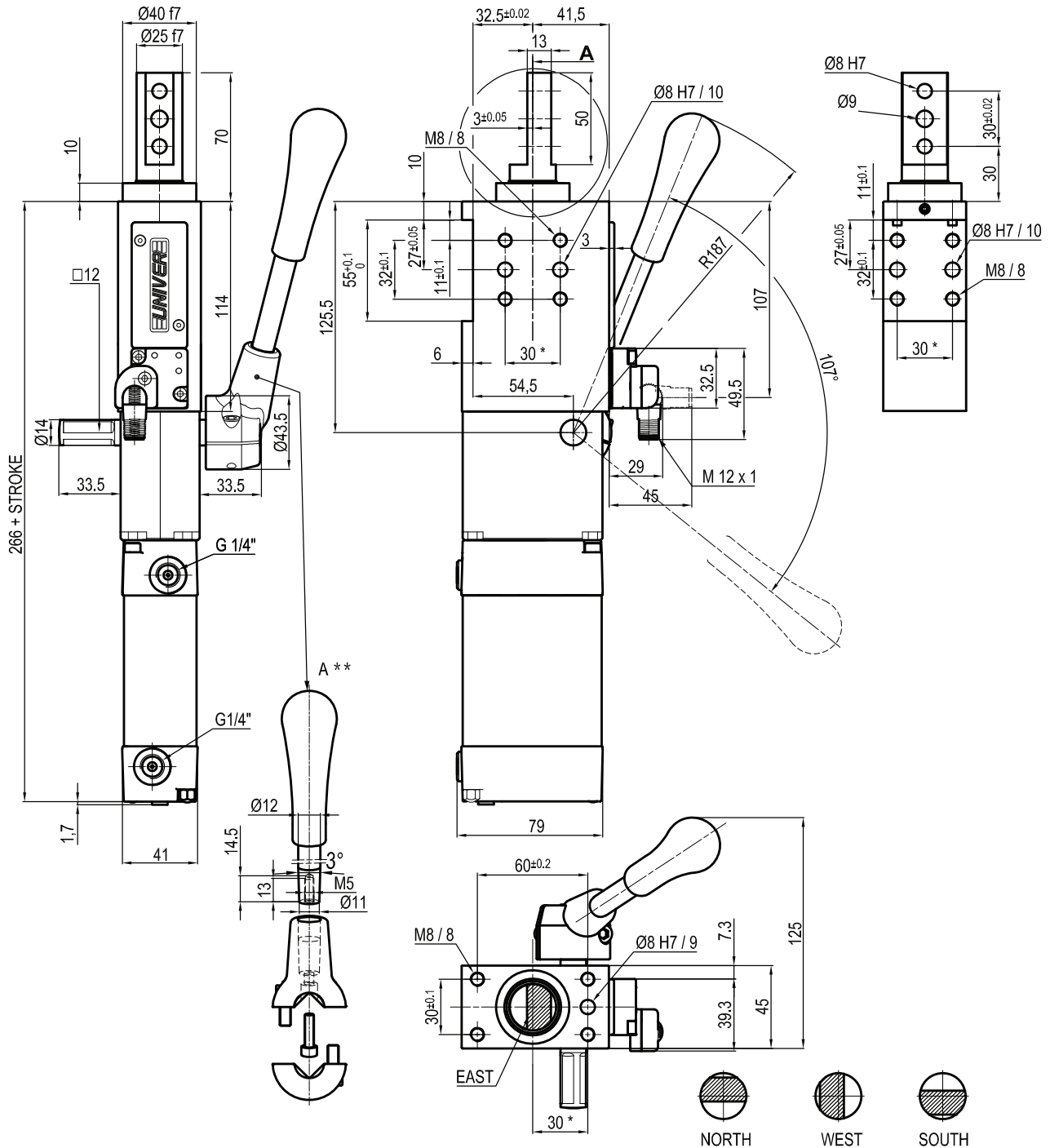
Bore \varnothing	Max. pull force 0,5 MPa	Max. push force 0,5 MPa	Max. torque 6 Nm	Max. deflection moment 7,5 Nm	Weight
50 mm	560 N	615 N	$\pm 0,06^{\circ}$	$\pm 0,03^{\circ}$	3,4 Kg

* : TOLERANCE BETWEEN DOWELS $\pm 0,02$, BETWEEN SCREW HOLES $\pm 0,1$
 **: DIMENSIONS TO BE RESPECTED IN CASE OTHER MANUAL LEVERS ARE USED

Min./Max. operating pressure: **0,4 / 0,6 MPa**
 Operating temperature: **$5^{\circ} \pm 45^{\circ} \text{C}$**
 Strokes in mm.: **15 - 25 - 40 - 50 - 60**
 With manual lever
 Electronic sensor with M12 swivel connector, from 0° to 90°
 Supply voltage: $10 \pm 30 \text{Vdc}$
 IP code: **IP 65**
 Pneumatic ports on both sides

Subject to technical modifications without notice

LCM50 ___ KD_R



Bore \varnothing	Max. pull force 0,5 MPa	Max. push force 0,5 MPa	Max. torque 6 Nm	Max. deflection moment 7,5 Nm	Weight
50 mm	560 N	615 N	$\pm 0,06^\circ$	$\pm 0,03^\circ$	3,4 Kg

 Min./Max. operating pressure: **0,4 / 0,6 MPa**

 Operating temperature: **5 \pm 45 $^\circ$ C**

 Strokes in mm.: **15 - 25 - 40 - 50 - 60**

With manual lever

 Electronic sensor with M12 swivel connector, from 0 $^\circ$ to 90 $^\circ$

 Supply voltage: 10 \pm 30 Vdc

 IP code: **IP 65**

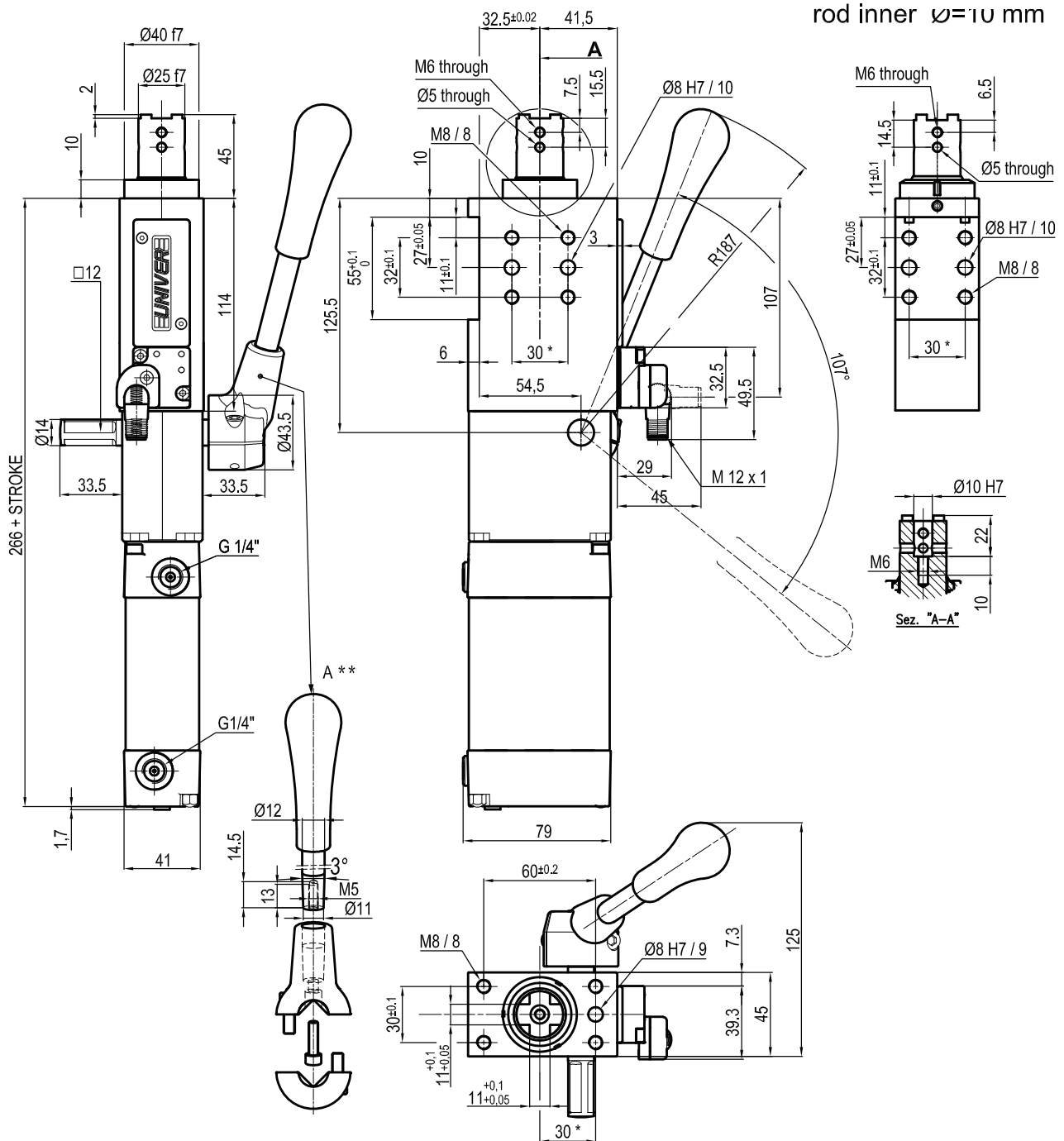
Pneumatic ports on both sides

 *: TOLERANCE BETWEEN DOWELS $\pm 0,02$, BETWEEN SCREW HOLES $\pm 0,1$

**: DIMENSIONS TO BE RESPECTED IN CASE OTHER MANUAL LEVERS ARE USED

Subject to technical modifications without notice

LCM50 ___ KER



Bore \varnothing	Max. pull force 0,5 MPa	Max. push force 0,5 MPa	Max. torque 6 Nm	Max. deflection moment 7,5 Nm	Weight
50 mm	560 N	615 N	$\pm 0,06^\circ$	$\pm 0,03^\circ$	3,4 Kg

 Min./Max. operating pressure: **0,4 / 0,6 MPa**

 Operating temperature: **5° ± 45° C**

 Strokes in mm.: **15 - 25 - 40 - 50 - 60**

With manual lever

Electronic sensor with M12 swivel connector, from 0° to 90°

Supply voltage: 10 ÷ 30 Vdc

 IP code: **IP 65**

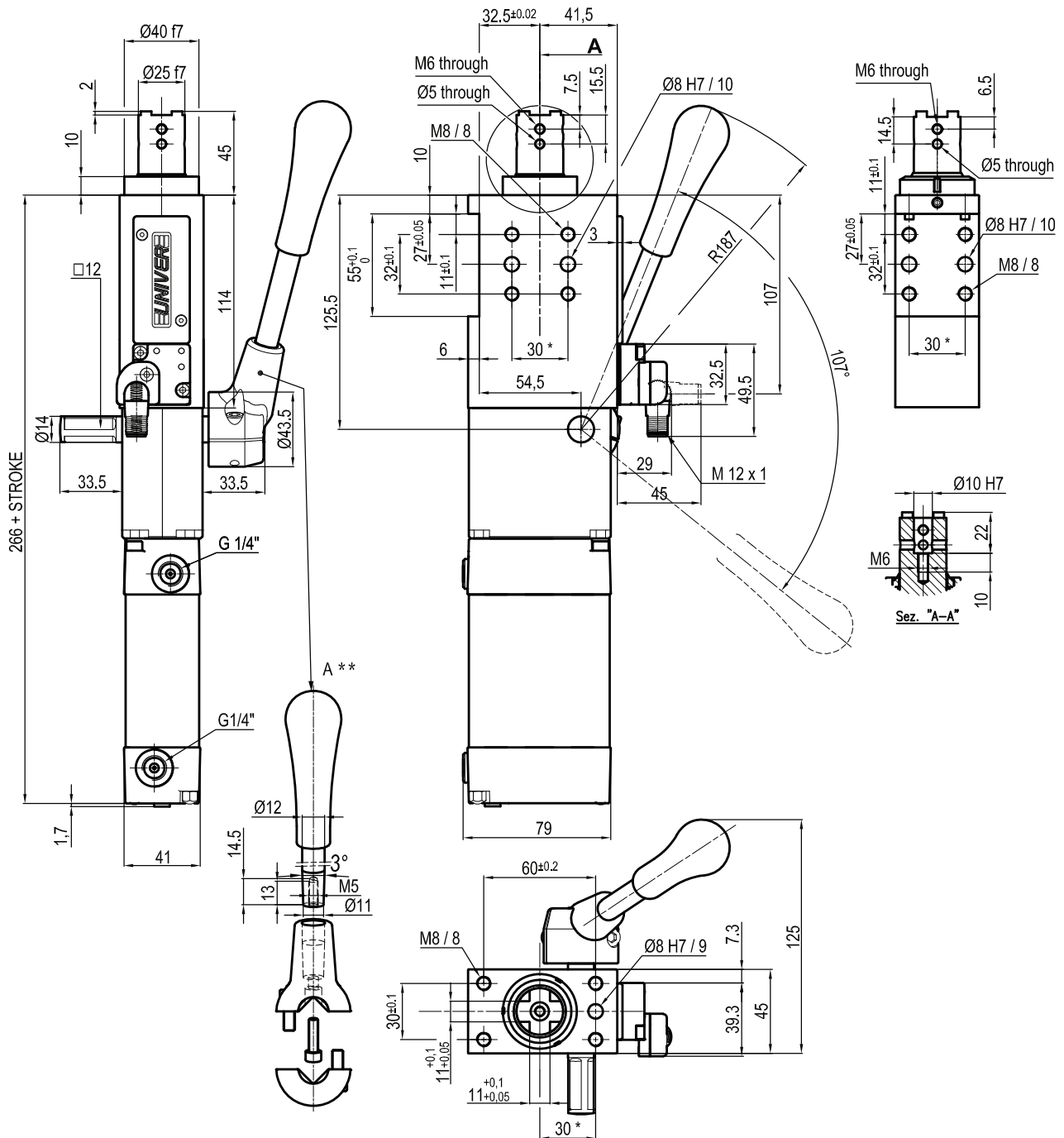
Pneumatic ports on both sides

 * : TOLERANCE BETWEEN DOWELS $\pm 0,02$, BETWEEN SCREW HOLES $\pm 0,1$

**: DIMENSIONS TO BE RESPECTED IN CASE OTHER MANUAL LEVERS ARE USED

Subject to technical modifications without notice

LCM50 ___ KFR



Bore Ø	Max. pull force 0,5 MPa	Max. push force 0,5 MPa	Max. torque 6 Nm	Max. deflection moment 7,5 Nm	Weight
50 mm	560 N	615 N	± 0,06°	± 0,03°	3,4 Kg

 Min./Max. operating pressure: **0,4 / 0,6 MPa**

 Operating temperature: **5° ± 45° C**

 Strokes in mm.: **15 - 25 - 40 - 50 - 60**

With manual lever

Electronic sensor with M12 swivel connector, from 0° to 90°

Supply voltage: 10 ÷ 30 Vdc

 IP code: **IP 65**

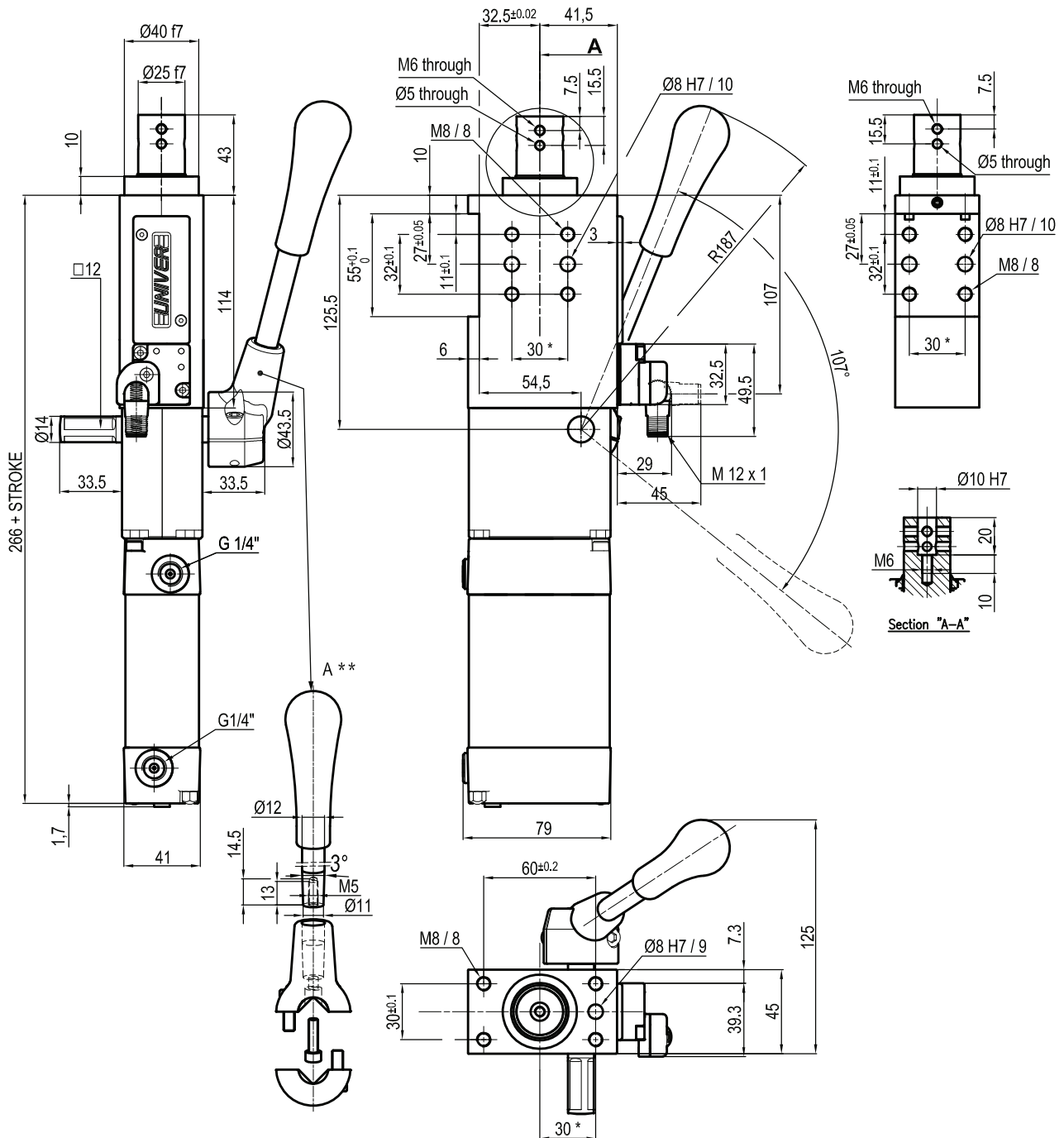
Pneumatic ports on both sides

*: TOLERANCE BETWEEN DOWELS ± 0,02, BETWEEN SCREW HOLES ± 0,1

**: DIMENSIONS TO BE RESPECTED IN CASE OTHER MANUAL LEVERS ARE USED

Subject to technical modifications without notice

LCM50 ___ KHR



Bore Ø	Max. pull force 0,5 MPa	Max. push force 0,5 MPa	Max. torque 6 Nm	Max. deflection moment 7,5 Nm	Weight
50 mm	560 N	615 N	± 0,06°	± 0,03°	3,4 Kg

 Min./Max. operating pressure: **0,4 / 0,6 MPa**

 Operating temperature: **5° ± 45° C**

 Strokes in mm.: **15 - 25 - 40 - 50 - 60**

With manual lever

Electronic sensor with M12 swivel connector, from 0° to 90°

Supply voltage: 10 ÷ 30 Vdc

 IP code: **IP 65**

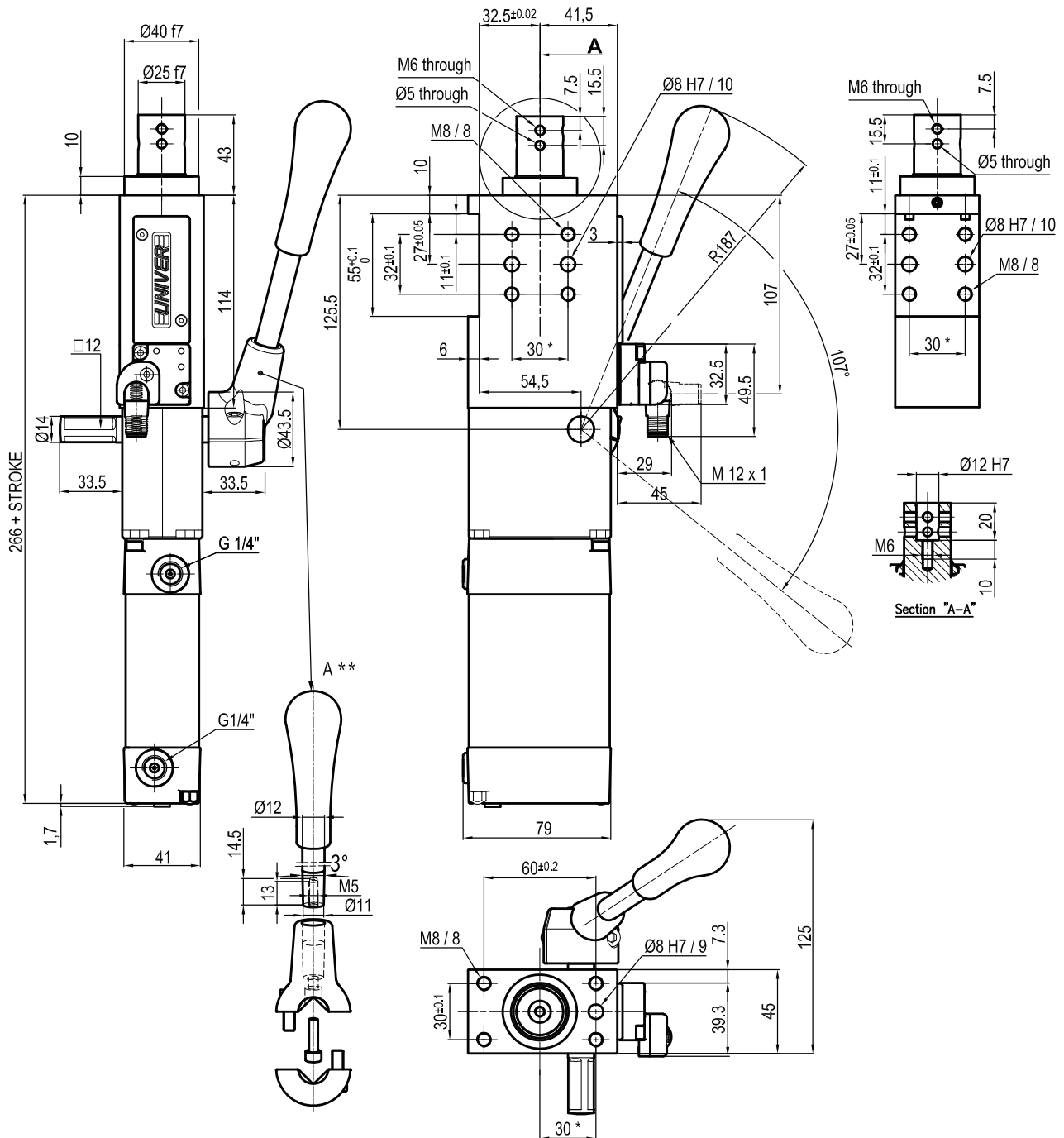
Pneumatic ports on both sides

* : TOLERANCE BETWEEN DOWELS ± 0,02, BETWEEN SCREW HOLES ± 0,1

**: DIMENSIONS TO BE RESPECTED IN CASE OTHER MANUAL LEVERS ARE USED

Subject to technical modifications without notice

LCM50 _ _ _ KIR



Bore Ø	Max. pull force 0,5 MPa	Max. push force 0,5 MPa	Max. torque 6 Nm	Max. deflection moment 7,5 Nm	Weight
50 mm	560 N	615 N	± 0,06°	± 0,03°	3,4 Kg

 Min./Max. operating pressure: **0,4 / 0,6 MPa**

 Operating temperature: **5° ± 45° C**

 Strokes in mm.: **15 - 25 - 40 - 50 - 60**

With manual lever

Electronic sensor with M12 swivel connector, from 0° to 90°

Supply voltage: 10 ÷ 30 Vdc

 IP code: **IP 65**

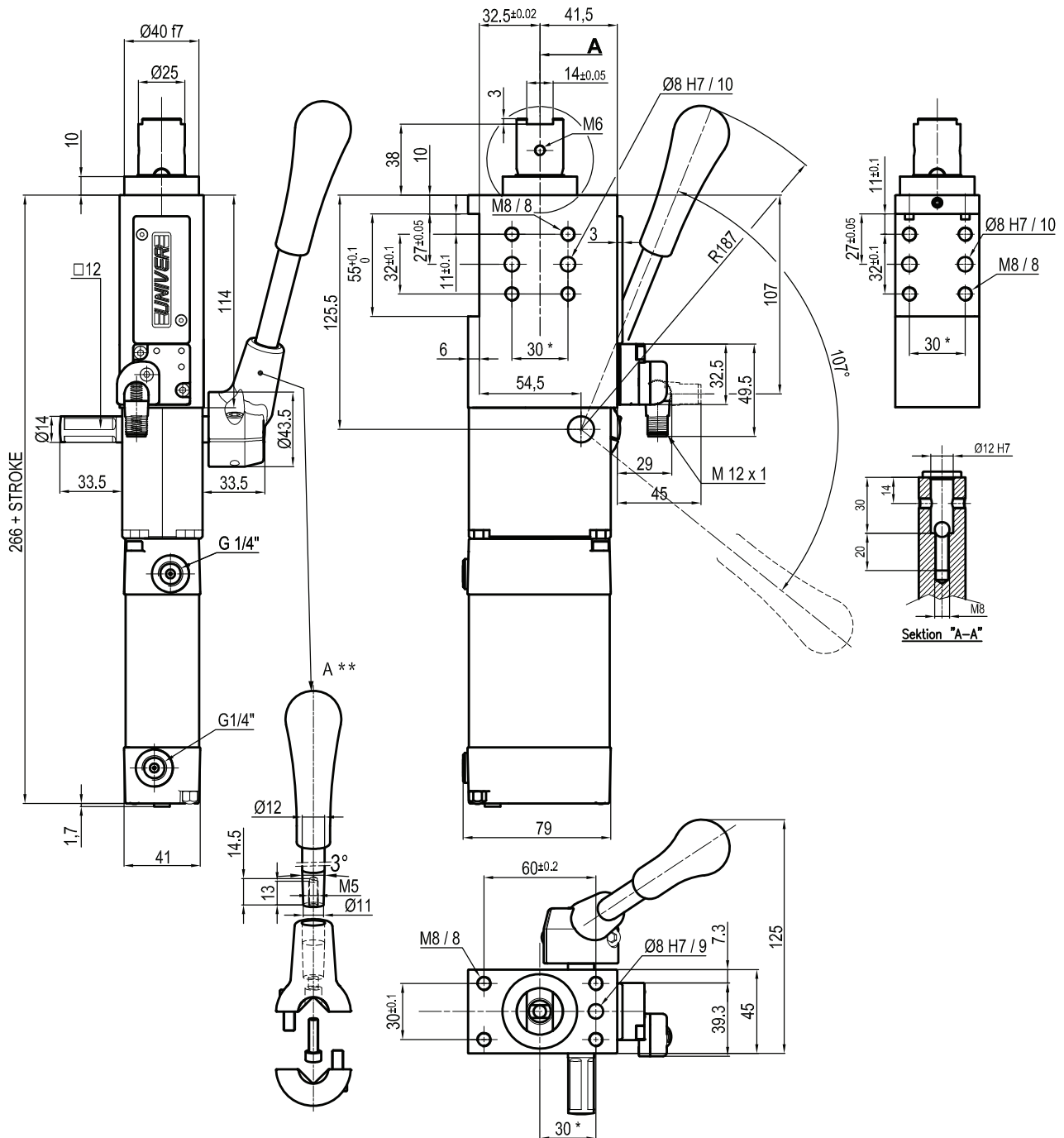
Pneumatic ports on both sides

* : TOLERANCE BETWEEN DOWELS ± 0,02, BETWEEN SCREW HOLES ± 0,1

**: DIMENSIONS TO BE RESPECTED IN CASE OTHER MANUAL LEVERS ARE USED

Subject to technical modifications without notice

LCM50 _ _ _ KLR



Bore Ø	Max. pull force 0,5 MPa	Max. push force 0,5 MPa	Max. torque 6 Nm	Max. deflection moment 7,5 Nm	Weight
50 mm	560 N	615 N	± 0,06°	± 0,03°	3,4 Kg

 Min./Max. operating pressure: **0,4 / 0,6 MPa**

 Operating temperature: **5° ± 45° C**

 Strokes in mm.: **15 - 25 - 40 - 50 - 60**

With manual lever

Electronic sensor with M12 swivel connector, from 0° to 90°

Supply voltage: 10 ÷ 30 Vdc

 IP code: **IP 65**

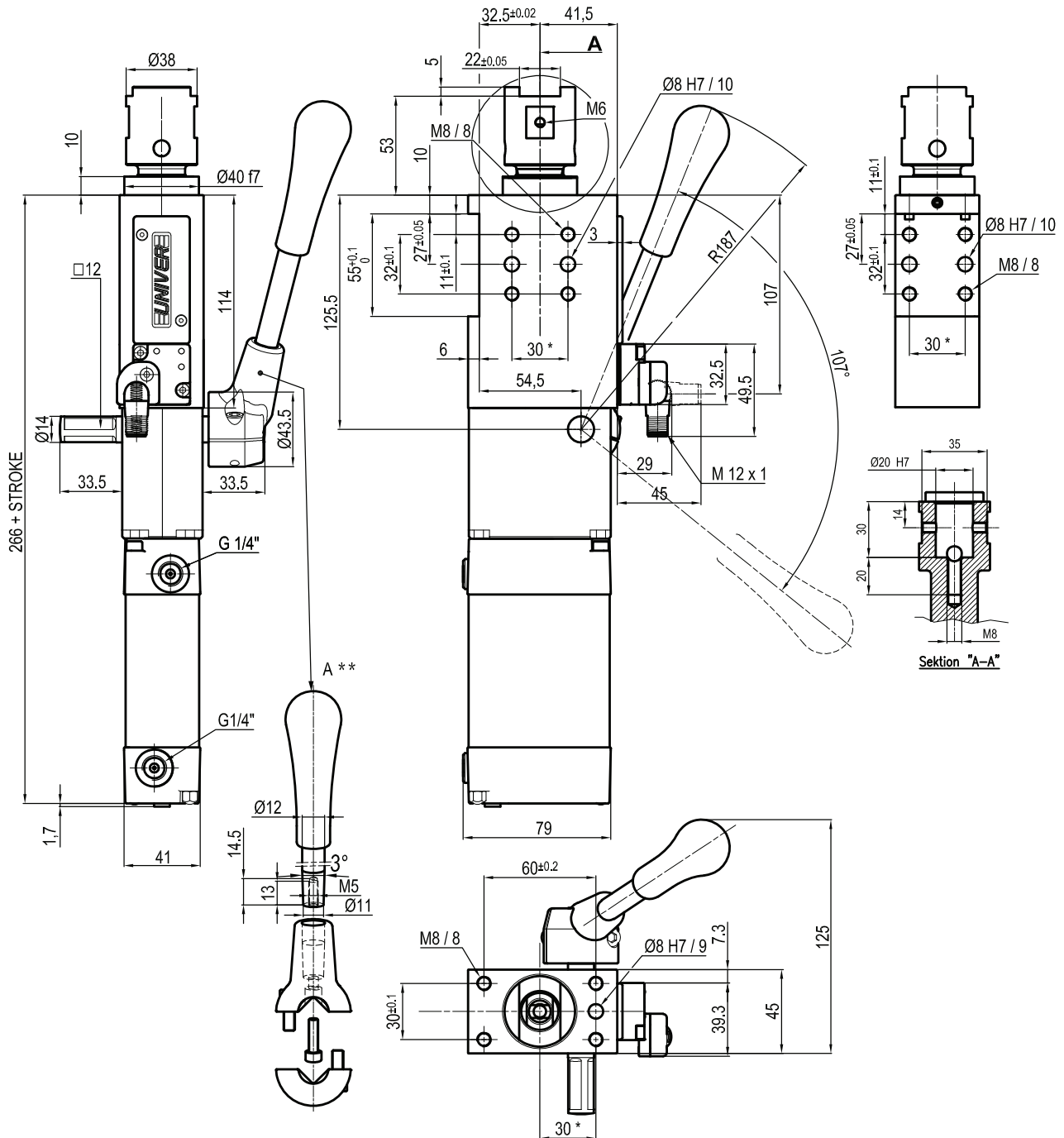
Pneumatic ports on both sides

* : TOLERANCE BETWEEN DOWELS ± 0,02, BETWEEN SCREW HOLES ± 0,1

**: DIMENSIONS TO BE RESPECTED IN CASE OTHER MANUAL LEVERS ARE USED

Subject to technical modifications without notice

LCM50 ___ KMR



Bore Ø	Max. pull force 0,5 MPa	Max. push force 0,5 MPa	Max. torque 6 Nm	Max. deflection moment 7,5 Nm	Weight
50 mm	560 N	615 N	± 0,06°	± 0,03°	3,4 Kg

 Min./Max. operating pressure: **0,4 / 0,6 MPa**

 Operating temperature: **5° ± 45° C**

 Strokes in mm.: **15 - 25 - 40 - 50 - 60**

With manual lever

Electronic sensor with M12 swivel connector, from 0° to 90°

Supply voltage: 10 ÷ 30 Vdc

 IP code: **IP 65**

Pneumatic ports on both sides

* : TOLERANCE BETWEEN DOWELS ± 0,02, BETWEEN SCREW HOLES ± 0,1

**: DIMENSIONS TO BE RESPECTED IN CASE OTHER MANUAL LEVERS ARE USED

Subject to technical modifications without notice