

# LAE350

Unità di bloccaggio elettriche



L	A	E	3	5	0	V	C	3	1
1		2			3	4	5		

## 1 Serie

LAE = Unità di bloccaggio elettriche

## 2 Taglia

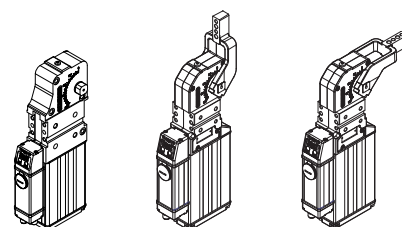
350 = 350 Nm  
Fissaggi intercambiabili con  
unità di bloccaggio pneumatica,  
Ø63 mm

## 3 Posizione pressore

N = Senza  
pressore

O = 180°

V = 90°

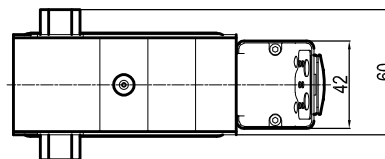
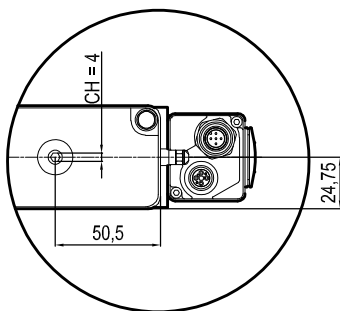
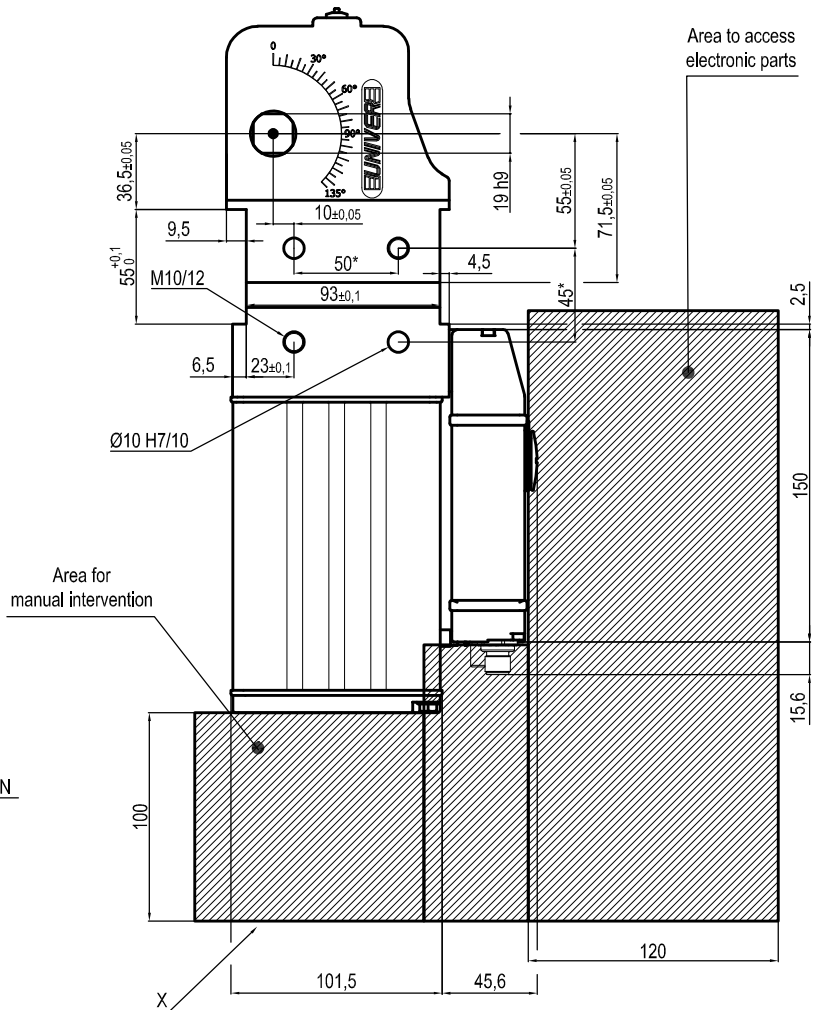
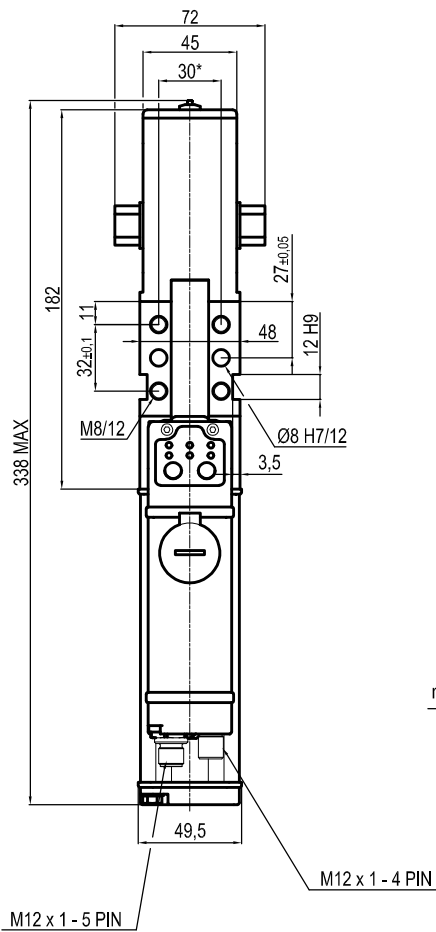


## 4 Tipologia di pressore

C = Centrale, 15 mm offset  
D = Destro, 15 mm offset  
S = Sinistro, 15 mm offset  
N = Senza pressore

## 5 Unità di controllo

31 = 1 connettore M12 4 poli T CODE  
+1 connettore M12 5 poli A CODE

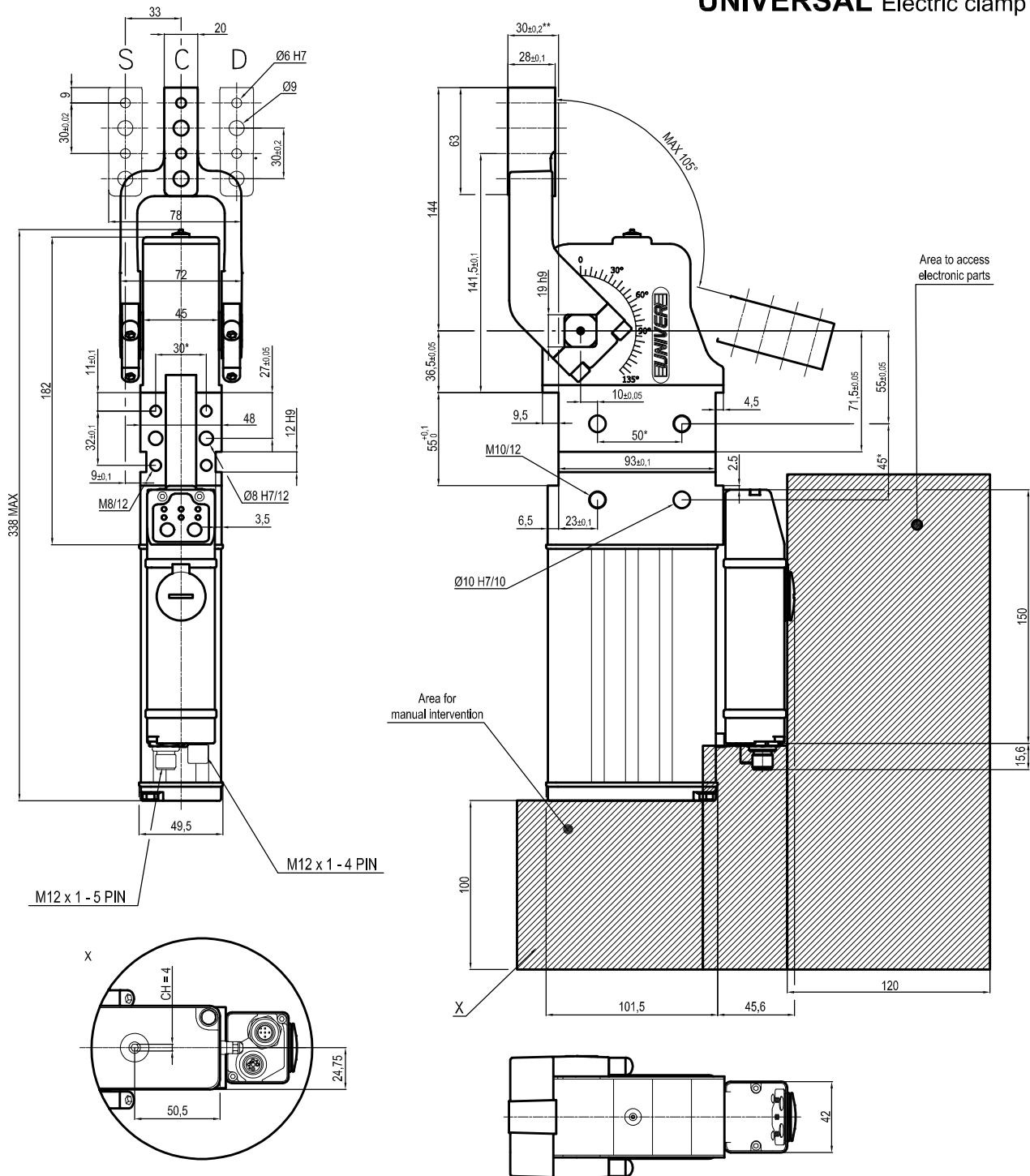


Size	Clamping moment	Closing time**	Weight
350	350 Nm	1.2 sec x 90°	4.3 Kg

Operating temperature : 5° + 40° C  
 Opening angle : -  
 IP code : IP 65

\* : TOLERANCE BETWEEN DOWELS ± 0.02, TO SCREW HOLES ± 0.1  
 \*\* : FOR MORE DETAILS SEE TECHNICAL SPECIFICATIONS

## UNIVERSAL Electric clamp



Size	Clamping moment	Closing time***	Weight (Without arm)
350	350 Nm	1.2 sec x 90°	4.3 Kg

Operating temperature : 5° + 40° C  
 Opening angle : 105° - 90° - 75° - 60° - 45° - 30° - 15°  
 Horizontal arm mount position  
 IP code : IP 65

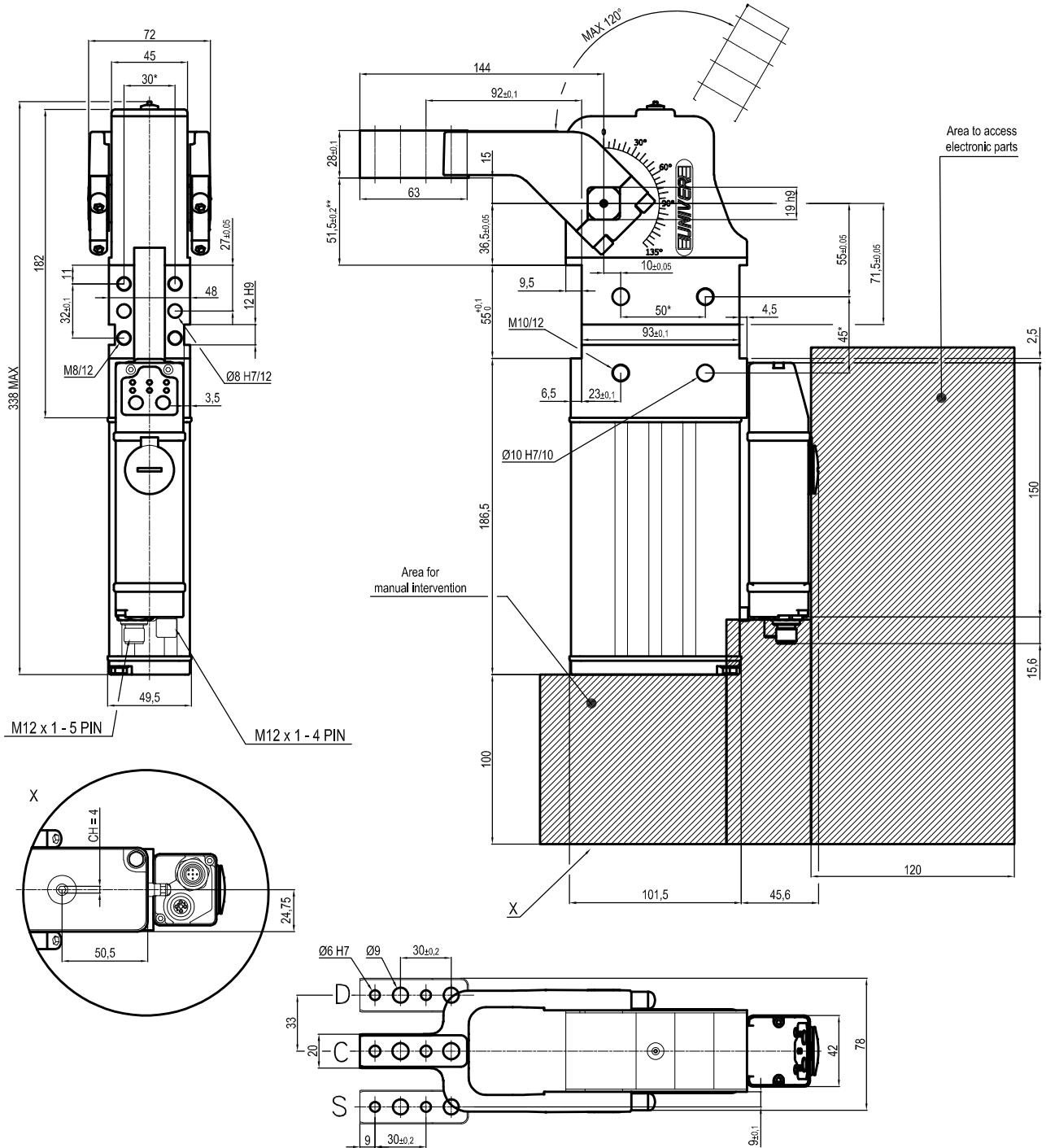
\* : TOLERANCE BETWEEN DOWELS ± 0.02, TO SCREW HOLES ± 0.1

\*\* : TOLERANCE AT 80mm FROM PIVOT POINT

\*\*\* : FOR MORE DETAILS SEE TECHNICAL SPECIFICATIONS

Subject to technical modifications without notice

## UNIVERSAL Electric clamp



Size	Clamping moment	Closing time***	Weight (Without arm)
350	350 Nm	1.2 sec x 90°	4.3 Kg

Operating temperature : 5° + 40° C  
 Opening angle : 120° - 105° - 90° - 75° - 60° - 45° - 30° - 15°  
 Vertical arm mount position  
 IP code : IP 65

\* : TOLERANCE BETWEEN DOWELS ± 0.02, TO SCREW HOLES ± 0.1

\*\* : TOLERANCE AT 80mm FROM PIVOT POINT

\*\*\* : FOR MORE DETAILS SEE TECHNICAL SPECIFICATIONS

Subject to technical modifications without notice