

UCBP 40

Pneumatic power clamps Ø40 mm

Pneumatic power clamps with compensation system, toggle-joint mechanism and stepless adjustable opening angle, typically used for handling and holding metal sheets in welding applications

- Lightweight aluminium construction ideal for mounting on grippers
- Compact dimensions
- Integrated compensation system up to 2 mm
- Version with hand lever available
- Fully optical electronic sensor or pneumatic sensor
- Fixing pattern on 4 sides
- Manual unlocking in case of air loss
- Self-holding system for open position available
- Clamping arm in aluminium or steel

CHARACTERISTICS

Operating temperature	5° ÷ 45° C
Min./Max. Operating pressure	0,4 / 0,6 MPa
Opening angle*	0° ÷ 135°
Bore Ø	40 mm
Holding moment	600 Nm
Clamping moment (0,5 MPa)	170 Nm
Weight (clamping arm not included)	1,5 Kg
Pneumatic supply ports	G1/8 on both sides
Sensor	electronic (optical)
Supply voltage	10 ÷ 30 Vdc
IP code	IP65

*The opening angle range may vary according to the arm position and style.

CODIFICATION KEY

UC | B | P | 40 | O | E | A | K | 0 | 10



COMPENSATION



LIGHTWEIGHT



IRREVERSIBLE



ANGLE ADJUSTMENT



OPTICAL SENSOR



COMPACT

1

SERIES
UC = UNICLAMP Power clamps

2

STANDARD
B = European standard

3

VERSION
P = Pneumatic

4

SIZE
40 = Ø 40 mm

5

ARM POSITION

V = 90°



O = 180°



N = No arm



6

ARM STYLE
C = Central, 15 mm offset
D = Right, 15 mm offset
S = Left, 15 mm offset
E = Central, 45 mm offset
F = Right, 45 mm offset
L = Left, 45 mm offset
N = No arm
For other versions contact our Sales Dept.

7

ARM TYPE
A = Aluminium
S = Steel
N = No arm

8

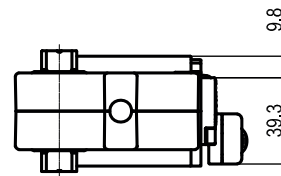
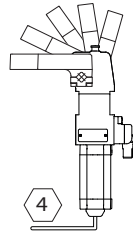
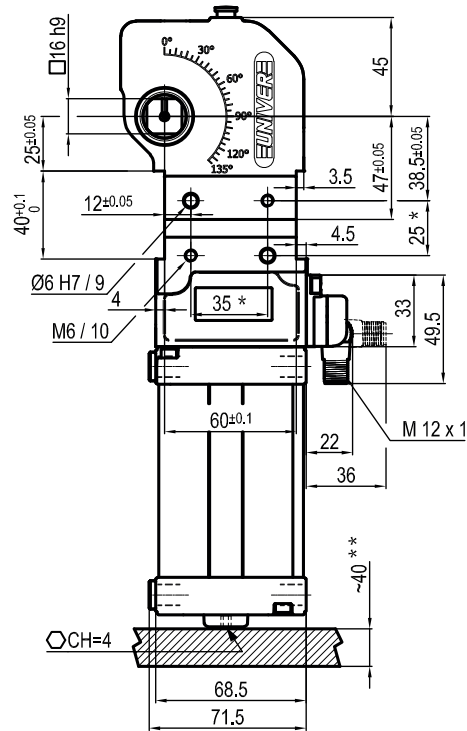
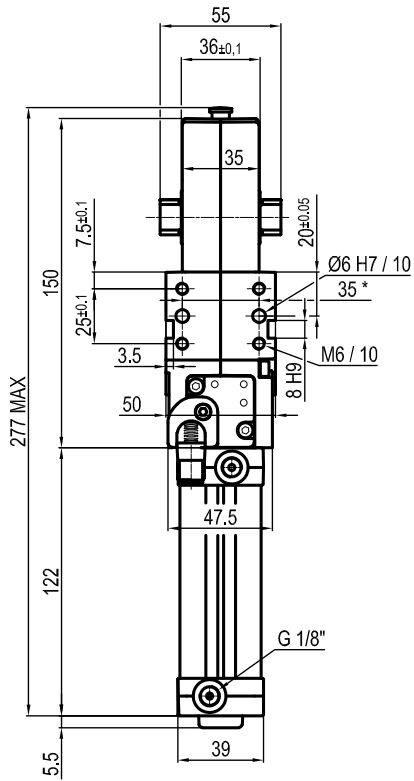
SENSOR
N = No sensor (with protection plate)
K = Electronic sensor PNP, M12 (DF-K)
D = Pneumatic sensor (DF-UPNW)
J = Electronic sensor NPN, optical (DF-J)
Y = Electronic sensor PNP, M12 (DF-Y) white LED

9

PRODUCT REVISION
Assigned by UNIVER

10

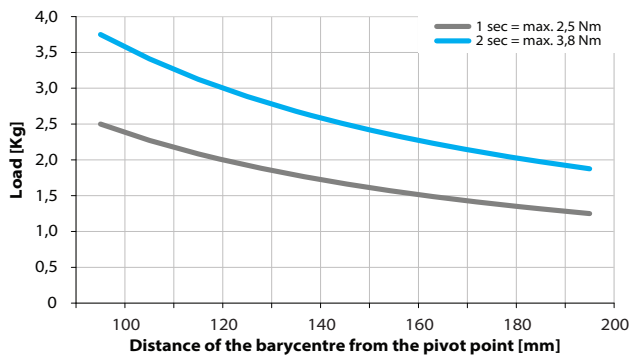
ATEX
X = ATEX option
See ATEX Catalogue for types and versions



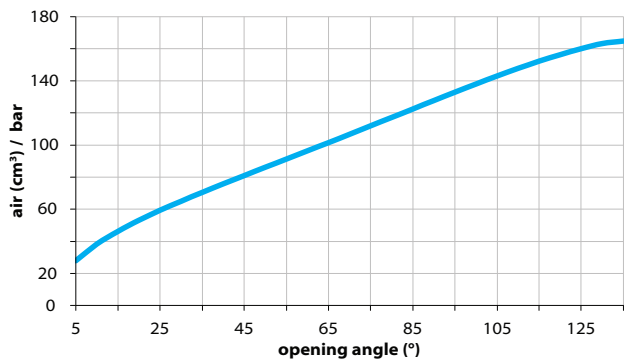
*TOLERANCE BETWEEN DOWELS ± 0,02 BETWEEN SCREW HOLES ± 0,1
 **AREA TO ACCESS ANGLE ADJUSTMENT

Maximum Applicable Load

Pressure: 5 bar - 90° cycle time (Open - Close)



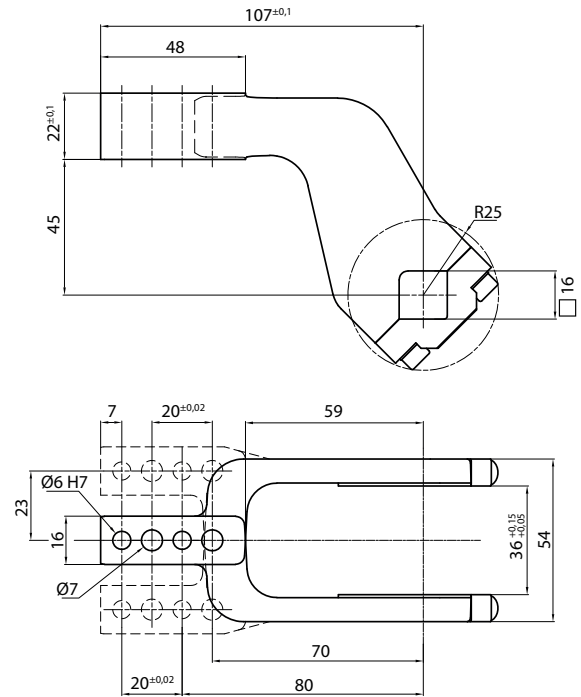
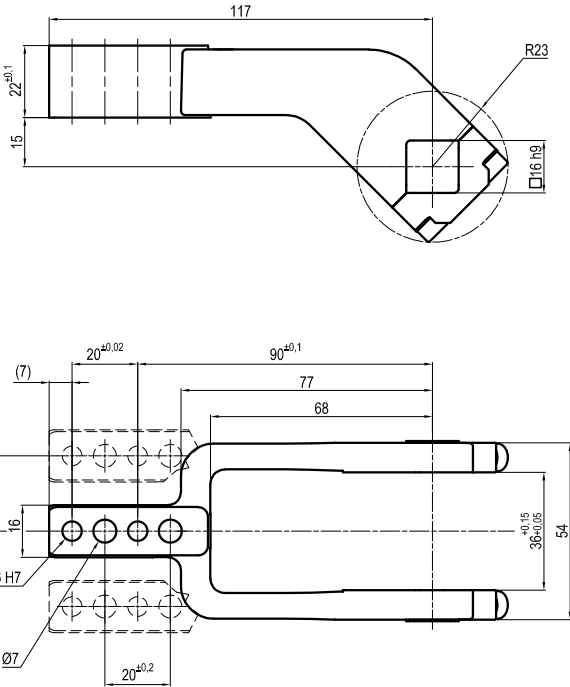
Air Consumption per Cycle



Clamping Arms

Arm Offset 15mm

Arm Offset 45mm



Armcode	Offset	Material	Arm style	Weight (Kg)	Opening angle (90°)	Opening angle (180°)
LKP01CST	15	ALUMINIUM	CENTRAL	0,2	0÷135°	0÷125°
LKP01DST	15	ALUMINIUM	RIGHT	0,2	0÷135°	0÷125°
LKP01SST	15	ALUMINIUM	LEFT	0,2	0÷135°	0÷125°
UP120151441S	15	STEEL	CENTRAL	0,4	0÷135°	0÷125°
UP120151442S	15	STEEL	RIGHT	0,4	0÷135°	0÷125°
UP120151443S	15	STEEL	LEFT	0,4	0÷135°	0÷125°
UKP01E	45	ALUMINIUM	CENTRAL	0,25	0÷125°	0÷135°
UKP01F	45	ALUMINIUM	RIGHT	0,25	0÷125°	0÷135°
UKP01L	45	ALUMINIUM	LEFT	0,25	0÷125°	0÷135°
UKP01ES	45	STEEL	CENTRAL	0,4	0÷125°	0÷135°
UKP01FS	45	STEEL	RIGHT	0,4	0÷125°	0÷135°
UKP01LS	45	STEEL	LEFT	0,4	0÷125°	0÷135°

Sensors

Accessories



Electronic (optical)

Pneumatic

Self holding system

DF-K PNP M12
DF-J NPN M12
DF-Y PNP M12 White LED

DF-UPNW

UBK46P16 For arm 15 offset
UBK46P16-45 For arm 45 offset

UCBP 50

Pneumatic power clamps Ø50 mm

Pneumatic power clamps with compensation system, toggle-joint mechanism and stepless adjustable opening angle, typically used for handling and holding metal sheets in welding applications

- Lightweight aluminium construction
- Compact dimensions
- Integrated compensation system up to 1,7 mm
- Version with hand lever available
- Fully optical electronic sensor or pneumatic sensor
- Fixing pattern on 4 sides
- Manual unlocking in case of air loss
- Self-holding system for open position available
- Clamping arm in aluminium or steel

CHARACTERISTICS

Operating temperature	5° ÷ 45° C
Min./Max. Operating pressure	0,4 / 0,6 MPa
Opening angle*	0° ÷ 135°
Bore Ø	50 mm
Holding moment	1250 Nm
Clamping moment (0,5 MPa)	280 Nm
Weight (clamping arm not included)	2,5 Kg
Pneumatic supply ports	G1/4 on both sides
Sensor	electronic (optical)
Supply voltage	10 ÷ 30 Vdc
IP code	IP65

*The opening angle range may vary according to the arm position and style.

CODIFICATION KEY

UC	B	P	50	O	E	A	K	0	
1	2	3	4	5	6	7	8	9	10



COMPENSATION



LIGHTWEIGHT



IRREVERSIBLE



ANGLE ADJUSTMENT



OPTICAL SENSOR



COMPACT

1 SERIES
UC = UNICLAMP Power clamps

2 STANDARD
B = European standard

3 VERSION
P = Pneumatic

4 SIZE
50 = Ø 50 mm

5 ARM POSITION

V = 90°



O = 180°



N = No arm



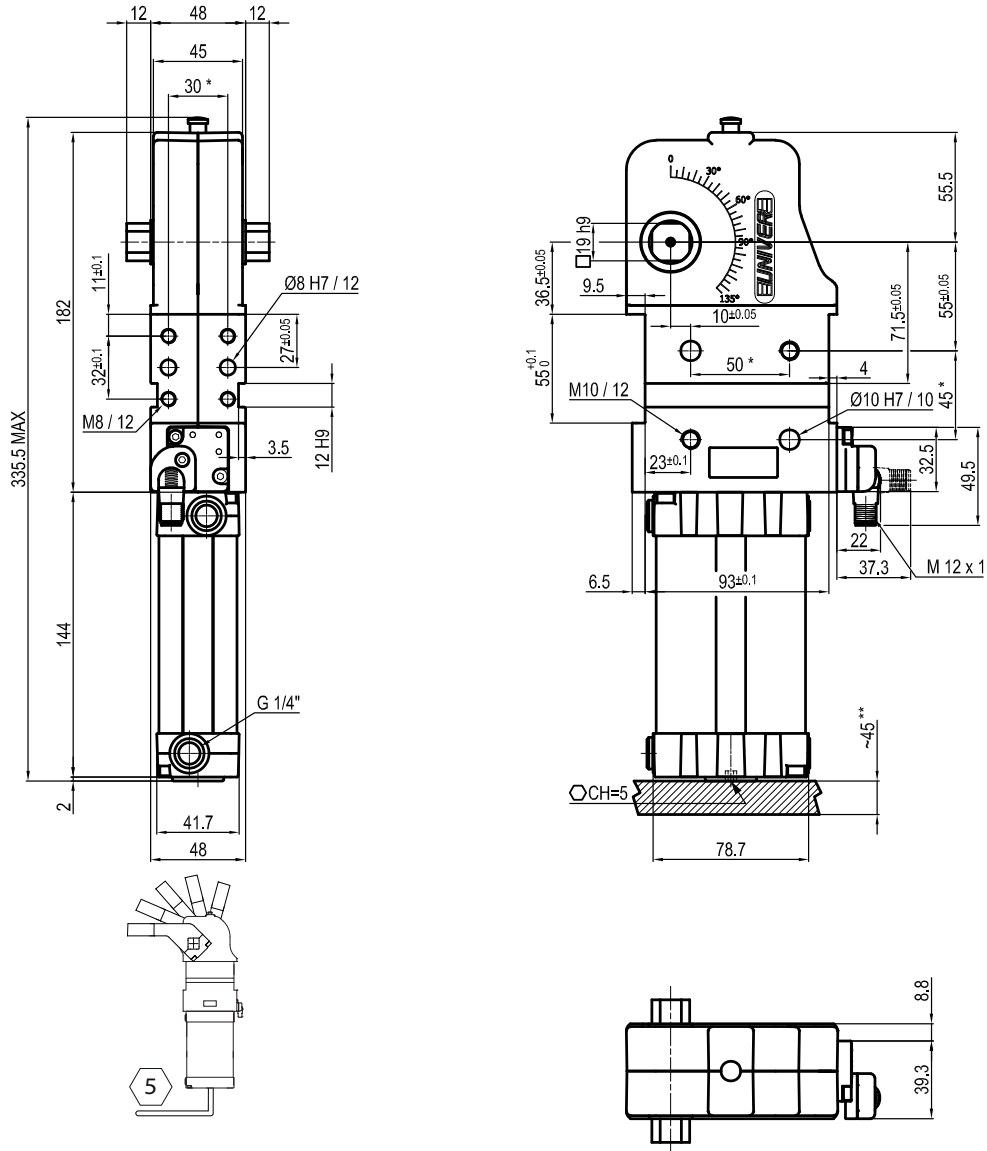
6 ARM STYLE
C = Central, 15 mm offset
D = Right, 15 mm offset
S = Left, 15 mm offset
E = Central, 45 mm offset
F = Right, 45 mm offset
L = Left, 45 mm offset
N = No arm
For other versions contact our Sales Dept.

7 ARM TYPE
A = Aluminium
S = Steel
N = No arm

8 SENSOR
N = No sensor (with protection plate)
K = Electronic sensor PNP, M12 (DF-K)
D = Pneumatic sensor (DF-UPNW)
J = Electronic sensor NPN, optical (DF-J)
Y = Electronic sensor PNP, M12 (DF-Y) white LED

9 PRODUCT REVISION
Assigned by UNIVER

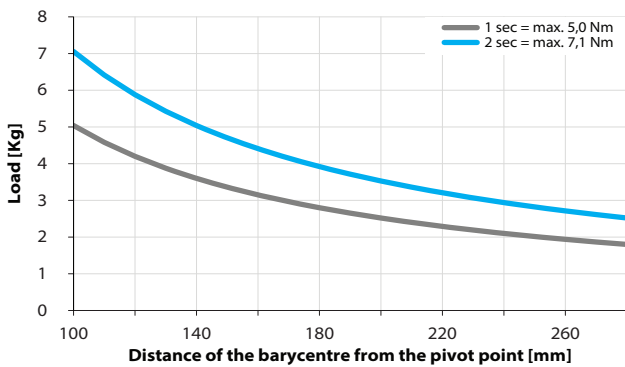
10 ATEX
X = ATEX option
See ATEX Catalogue for types and versions



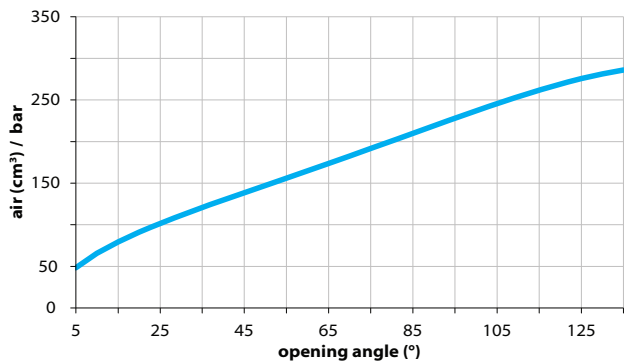
*TOLERANCE BETWEEN DOWELS ± 0,02 BETWEEN SCREW HOLES ± 0,1
 **AREA TO ACCESS ANGLE ADJUSTMENT

Maximum Applicable Load

Pressure: 5 bar - 90° cycle time (Open - Close)



Air Consumption per Cycle

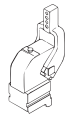
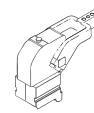
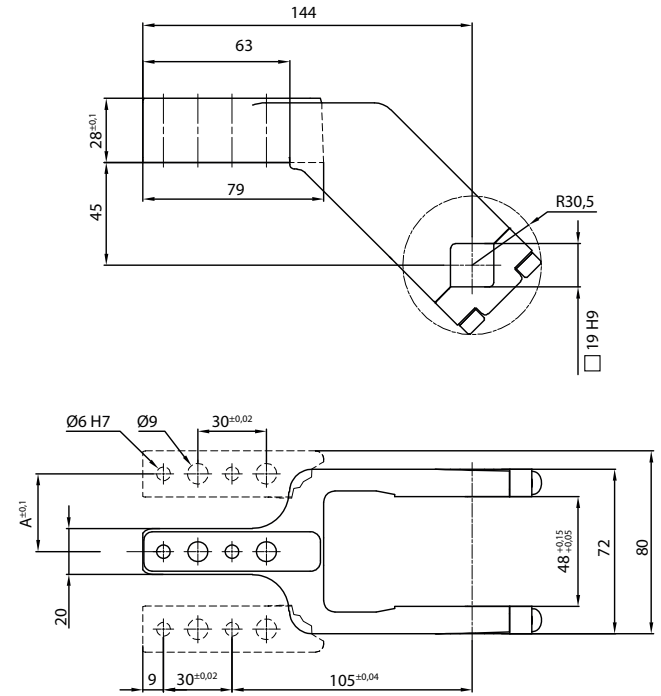
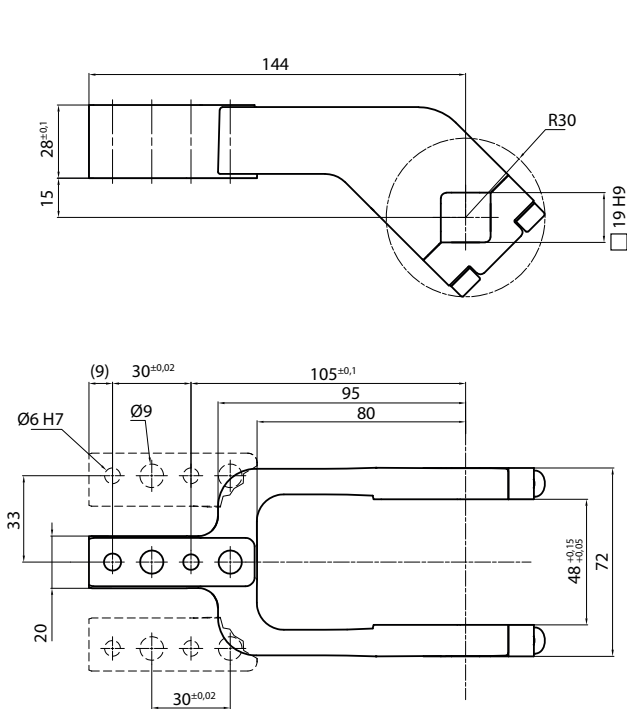


Clamping Arms

Arm Offset 15mm

Arm Offset 45mm

2



Armcode	Offset	Material	Arm style	Weight (Kg)	Opening angle (90°)	Opening angle (180°)
LKP00CL	15	ALUMINIUM	CENTRAL	0,4	0±135°	0±105°
LKP00DL	15	ALUMINIUM	RIGHT	0,4	0±135°	0±105°
LKP00SL	15	ALUMINIUM	LEFT	0,4	0±135°	0±105°
UP210151441G	15	STEEL	CENTRAL	0,8	0±135°	0±105°
UP210151442G	15	STEEL	RIGHT	0,8	0±135°	0±105°
UP210151443G	15	STEEL	LEFT	0,8	0±135°	0±105°
UKP5063E	45	ALUMINIUM	CENTRAL	0,45	0±135°	0±135°
UKP50F	45	ALUMINIUM	RIGHT	0,45	0±135°	0±135°
UKP50L	45	ALUMINIUM	LEFT	0,45	0±135°	0±135°
UKP5063ES	45	STEEL	CENTRAL	1,16	0±135°	0±135°
UKP50FS	45	STEEL	RIGHT	1,16	0±135°	0±135°
UKP50LS	45	STEEL	LEFT	1,16	0±135°	0±135°

Sensors

Accessories



Electronic (optical)

Pneumatic

Self holding system

DF-K PNP M12
DF-J NPN M12
DF-Y PNP M12 White LED

DF-UPNW

UBK46P19

UCBP 63

Pneumatic power clamps Ø63 mm

Pneumatic power clamps with compensation system, toggle-joint mechanism and stepless adjustable opening angle, typically used for handling and holding metal sheets in welding applications

- Lightweight aluminium construction
- Compact dimensions
- Integrated compensation system up to 2,7 mm
- Version with hand lever available
- Fully optical electronic sensor or pneumatic sensor
- Fixing pattern on 4 sides
- Manual unlocking in case of air loss
- Self-holding system for open position available
- Clamping arm in aluminium or steel



2

CHARACTERISTICS

Operating temperature	5° ÷ 45° C
Min./Max. Operating pressure	0,4 / 0,6 MPa
Opening angle*	0° ÷ 135°
Bore Ø	63 mm
Holding moment	1750 Nm
Clamping moment (0,5 MPa)	420 Nm
Weight (clamping arm not included)	2,9 Kg
Pneumatic supply ports	G1/4 on both sides
Sensor	electronic (optical)
Supply voltage	10 ÷ 30 Vdc
IP code	IP65

*The opening angle range may vary according to the arm position and style.

CODIFICATION KEY

UC | B | P | 63 | O | E | A | K | 0 | |

1 2 3 4 5 6 7 8 9 10



COMPENSATION



LIGHTWEIGHT



IRREVERSIBLE



ANGLE ADJUSTMENT



OPTICAL SENSOR



COMPACT

1 SERIES
UC = UNICLAMP Power clamps

2 STANDARD
B = European standard

3 VERSION
P = Pneumatic

4 SIZE
63 = Ø63 mm

5 ARM POSITION

V = 90°



O = 180°



N = No arm



6 ARM STYLE
C = Central, 15 mm offset
D = Right, 15 mm offset
S = Left, 15 mm offset
E = Central, 45 mm offset
F = Right, 45 mm offset
L = Left, 45 mm offset
N = No arm
For other versions contact our Sales Dept.

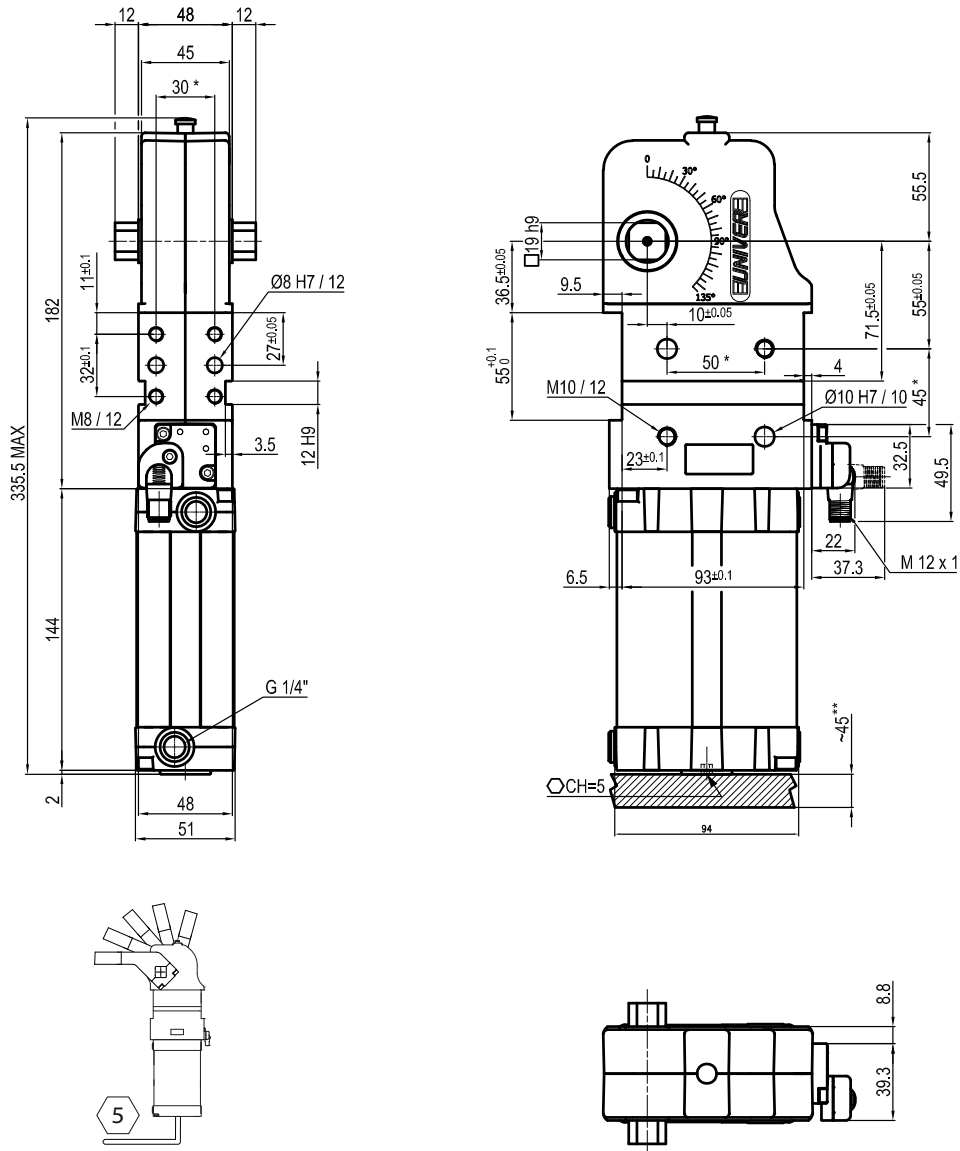
7 ARM TYPE
A = Aluminium
S = Steel
N = No arm

8 SENSOR
N = No sensor (with protection plate)
K = Electronic sensor PNP, M12 (DF-K)
D = Pneumatic sensor (DF-UPNW)
J = Electronic sensor NPN, optical (DF-J)
Y = Electronic sensor PNP, M12 (DF-Y) white LED

9 PRODUCT REVISION
Assigned by UNIVER

10 ATEX
X = ATEX option
See ATEX Catalogue for types and versions

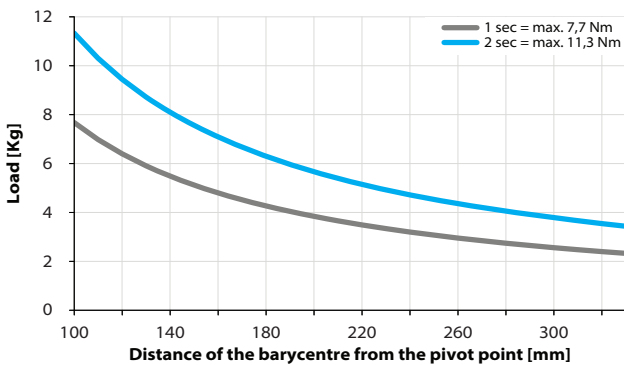
2



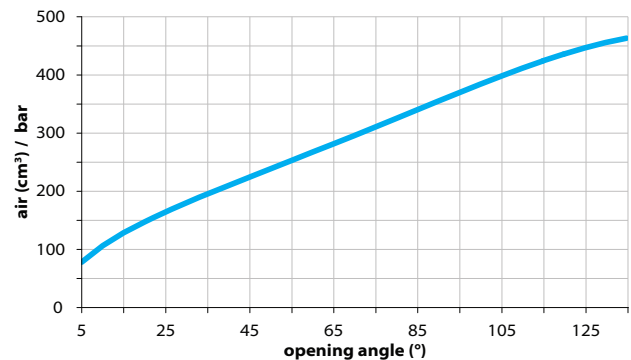
* TOLERANCE BETWEEN DOWELS $\pm 0,02$, BETWEEN SCREW HOLES $\pm 0,1$
 ** AREA TO ACCESS ANGLE ADJUSTMENT

Maximum Applicable Load

Pressure: 5 bar - 90° cycle time (Open - Close)

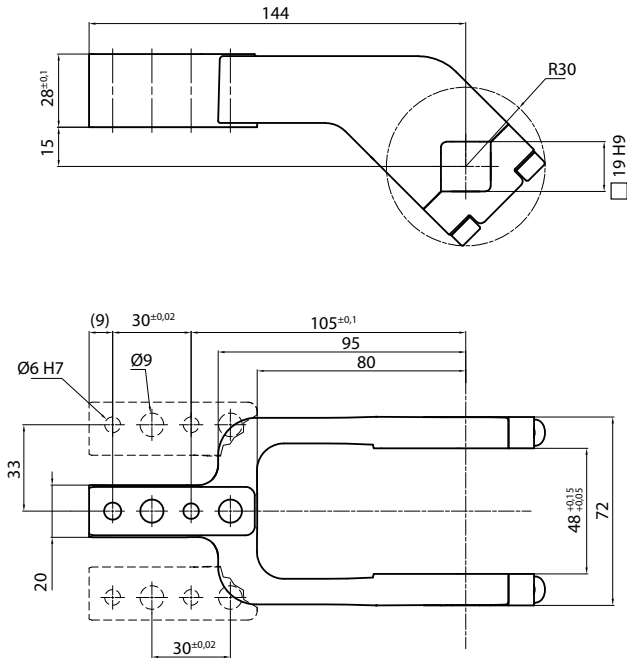


Air Consumption per Cycle

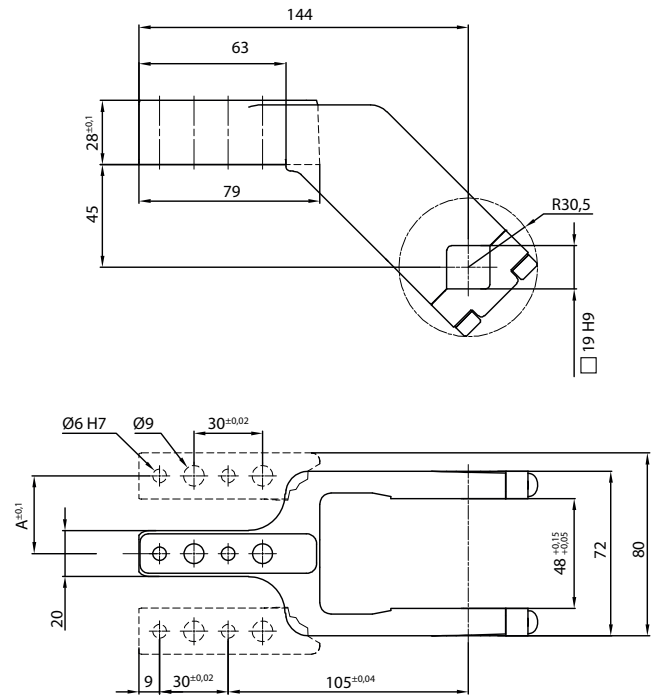


Clamping Arms

Arm Offset 15mm



Arm Offset 45mm



Armcode	Offset	Material	Arm style	Weight (Kg)	Opening angle (90°)	Opening angle (180°)
LKP00CL	15	ALUMINIUM	CENTRAL	0,4	0÷135°	0÷105°
LKP00DL	15	ALUMINIUM	RIGHT	0,4	0÷135°	0÷105°
LKP00SL	15	ALUMINIUM	LEFT	0,4	0÷135°	0÷105°
UP210151441G	15	STEEL	CENTRAL	0,8	0÷135°	0÷105°
UP210151442G	15	STEEL	RIGHT	0,8	0÷135°	0÷105°
UP210151443G	15	STEEL	LEFT	0,8	0÷135°	0÷105°
UKP5063E	45	ALUMINIUM	CENTRAL	0,45	0÷135°	0÷135°
UKP63F	45	ALUMINIUM	RIGHT	0,45	0÷135°	0÷135°
UKP63L	45	ALUMINIUM	LEFT	0,45	0÷135°	0÷135°
UKP5063ES	45	STEEL	CENTRAL	1,16	0÷135°	0÷135°
UKP63FS	45	STEEL	RIGHT	1,16	0÷135°	0÷135°
UKP63LS	45	STEEL	LEFT	1,16	0÷135°	0÷135°

Sensors



Electronic (optical)

DF-K PNP M12
DF-J NPN M12
DF-Y PNP M12 White LED



Pneumatic

DF-UPNW

Accessories



Self holding system

UBK46P19

UCBP 80

Pneumatic power clamps Ø80 mm

Pneumatic power clamps with compensation system, toggle-joint mechanism and stepless adjustable opening angle, typically used for handling and holding metal sheets in welding applications

- Lightweight aluminium construction
- Integrated compensation system up to 2,9 mm
- Version with manual hand lever available
- Fully optical electronic sensor or pneumatic sensor
- Fixing pattern on 4 sides
- Manual unlocking in case of air loss
- Self-holding system for open position available
- Clamping arm in aluminium or steel



2

CHARACTERISTICS

Operating temperature	5° ÷ 45° C
Min./Max. Operating pressure	0,4 / 0,6 MPa
Opening angle*	0° ÷ 135°
Bore Ø	80 mm
Holding moment	4000 Nm
Clamping moment (0,5 MPa)	1100 Nm
Weight (clamping arm not included)	8,6 Kg
Pneumatic supply ports	G1/4 on both sides
Sensor	electronic (optical)
Supply voltage	10 ÷ 30 Vdc
IP code	IP65

*The opening angle range may vary according to the arm position and style.

CODIFICATION KEY

UC	B	P	80	O	E	A	K	0	
1	2	3	4	5	6	7	8	9	10



COMPENSATION



LIGHTWEIGHT



IRREVERSIBLE



ANGLE ADJUSTMENT



OPTICAL SENSOR

1

SERIES
UC = UNICLAMP Power clamps

2

STANDARD
B = European standard

3

VERSION
P = Pneumatic

4

SIZE
80 = Ø80 mm

5

ARM POSITION

V = 90°



O = 180°



N = No arm



6

ARM STYLE
C = Central, 20 mm offset
D = Right, 20 mm offset
S = Left, 20 mm offset
E = Central, 45 mm offset
F = Right, 45 mm offset
L = Left, 45 mm offset
N = No arm
For other versions contact our Sales Dept.

7

ARM TYPE
A = Aluminium
S = Steel
N = No arm

8

SENSOR
N = No sensor (with protection plate)
K = Electronic sensor PNP, M12 (DF-K)
D = Pneumatic sensor (DF-UPNW80)
J = Electronic sensor NPN, optical (DF-J)
Y = Electronic sensor PNP, M12 (DF-Y) white LED

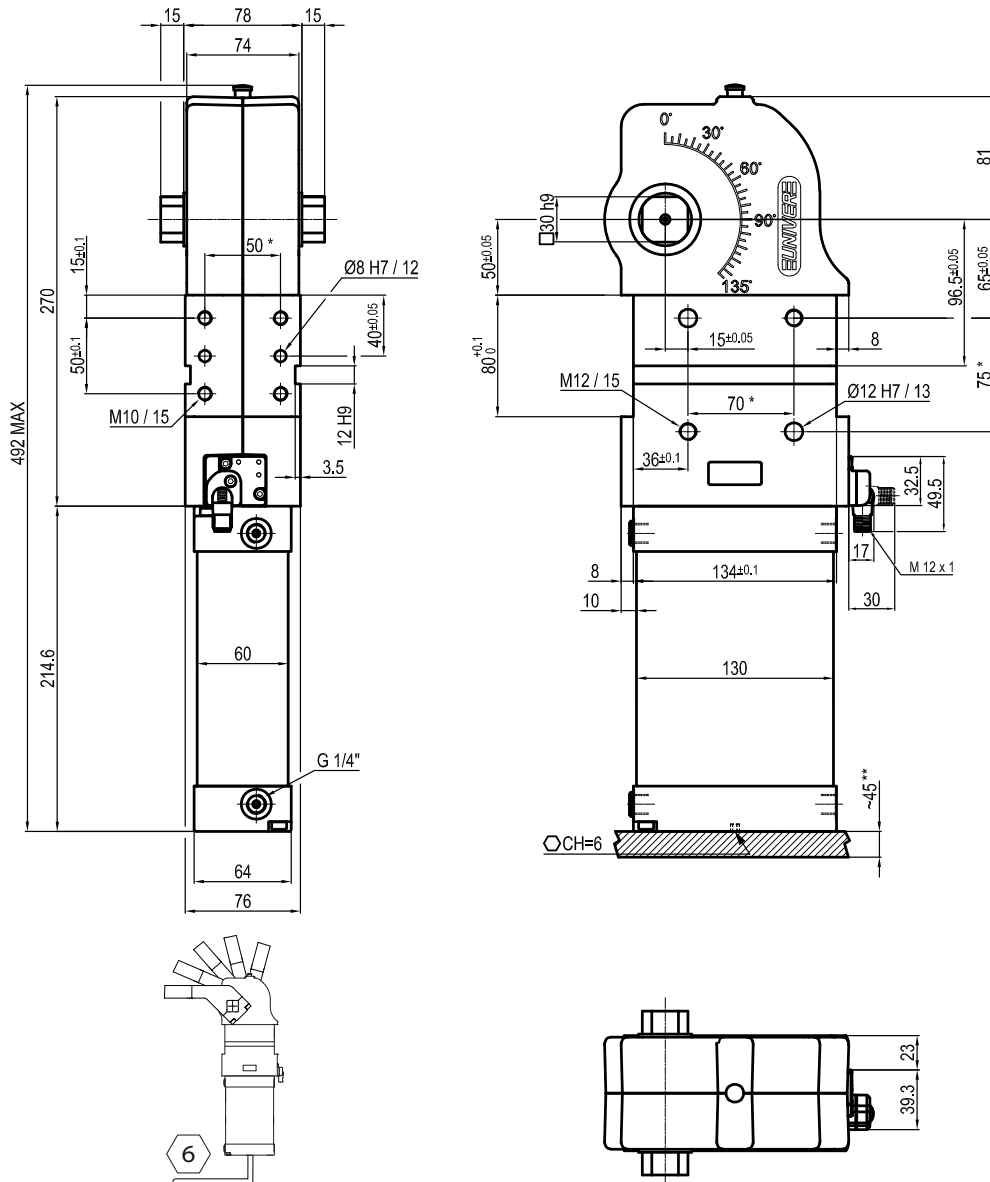
9

PRODUCT REVISION
Assigned by UNIVER

10

ATEX
X = ATEX option

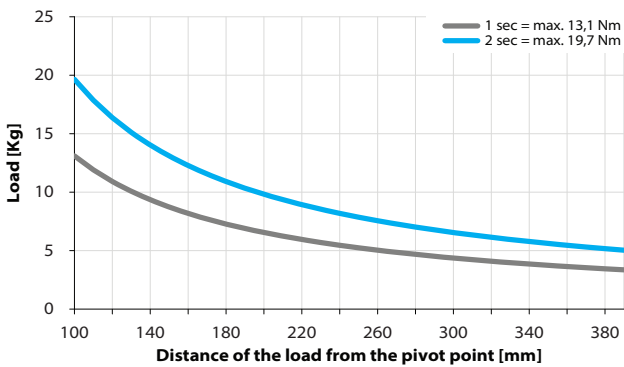
2



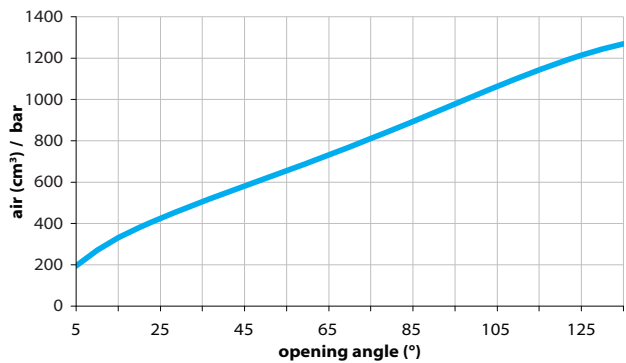
* TOLERANCE BETWEEN DOWELS ± 0,02, BETWEEN SCREW HOLES ± 0,1
 **AREA TO ACCESS ANGLE ADJUSTMENT

Maximum Applicable Load

Pressure: 5 bar - 90° cycle time (Open - Close)

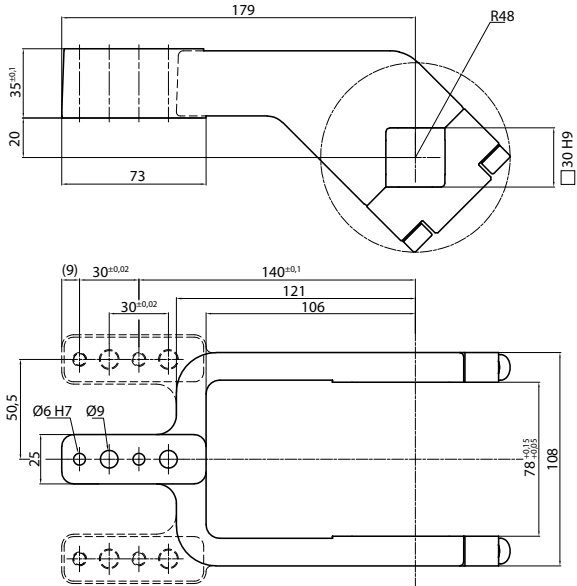


Air Consumption per Cycle

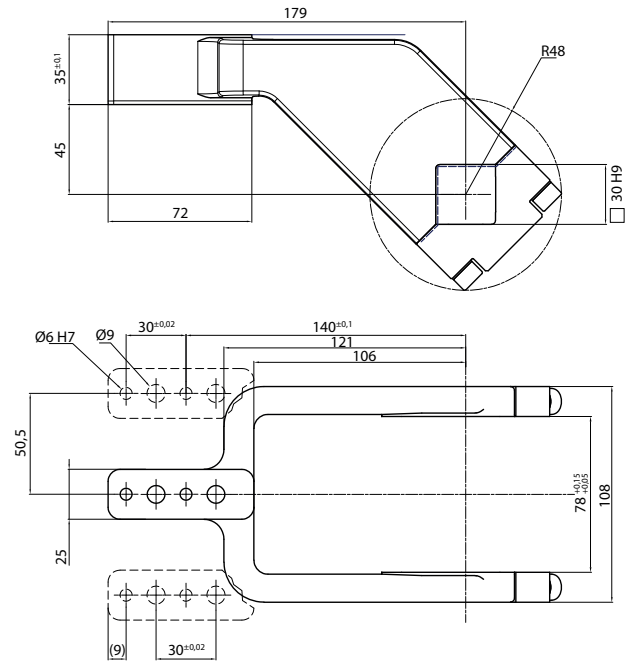


Clamping Arms

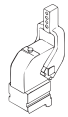
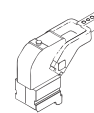
Arm Offset 20mm



Arm Offset 45mm



2



Armcode	Offset	Material	Arm style	Weight (Kg)	Opening angle (90°)	Opening angle (180°)
LKP80C	20	ALUMINIUM	CENTRAL	0,6	0±135°	0±105°
LKP80D	20	ALUMINIUM	RIGHT	0,6	0±135°	0±105°
LKP80S	20	ALUMINIUM	LEFT	0,6	0±135°	0±105°
UKP80CS	20	STEEL	CENTRAL	2,3	0±135°	0±105°
UKP80DS	20	STEEL	RIGHT	2,3	0±135°	0±105°
UKP80SS	20	STEEL	LEFT	2,3	0±135°	0±105°
UKP80E	45	ALUMINIUM	CENTRAL	0,6	0±135°	0±125°
UKP80F	45	ALUMINIUM	RIGHT	0,6	0±135°	0±125°
UKP80L	45	ALUMINIUM	LEFT	0,6	0±135°	0±125°
UKP80ES	45	STEEL	CENTRAL	2,2	0±135°	0±125°
UKP80FS	45	STEEL	RIGHT	2,2	0±135°	0±125°
UKP80LS	45	STEEL	LEFT	2,2	0±135°	0±125°

Sensors



Electronic (optical)

- DF-K PNP M12
- DF-J NPN M12
- DF-Y PNP M12 White LED



Pneumatic

DF-UPNW80

Accessories



Self holding system

UBK46P30

UCBM 40

Pneumatic power clamps Ø40 mm with hand lever

Pneumatic power clamps with compensation system, toggle-joint mechanism and stepless adjustable opening angle, typically used for handling and holding metal sheets in welding applications

- Lightweight aluminium construction ideal for mounting on grippers
- Compact dimensions
- Integrated compensation system up to 2 mm
- Hand lever mount on both sides
- Fully optical electronic sensor or pneumatic sensor
- Fixing pattern on 4 sides
- Manual unlocking in case of air loss
- Self-holding system for open position available
- Clamping arm in aluminium or steel

CHARACTERISTICS

Operating temperature	5° ÷ 45° C
Min./Max. Operating pressure	0,4 / 0,6 MPa
Opening angle*	0° ÷ 135°
Bore Ø	40 mm
Holding moment	600 Nm
Clamping moment (0,5 MPa)	170 Nm
Weight (clamping arm not included)	1,8 Kg
Pneumatic supply ports	G1/8 on both sides
Sensor	electronic (optical)
Supply voltage	10 ÷ 30 Vdc
IP code	IP65

*The opening angle range may vary according to the arm position and style.

CODIFICATION KEY

UC | B | M | 40 | O | E | A | K | 0 | 10



COMPENSATION



LIGHTWEIGHT



IRREVERSIBLE



ANGLE ADJUSTMENT



OPTICAL SENSOR



COMPACT

1

SERIES
UC = UNICLAMP Power clamps

2

STANDARD
B = European standard

3

VERSION
M = Pneumatic with hand lever

4

SIZE
40 = Ø40 mm

5

ARM POSITION

V = 90°



O = 180°



N = No arm



6

ARM STYLE
C = Central, 15 mm offset
D = Right, 15 mm offset
S = Left, 15 mm offset
E = Central, 45 mm offset
F = Right, 45 mm offset
L = Left, 45 mm offset
N = No arm
For other versions contact our Sales Dept.

7

ARM TYPE
A = Aluminium
S = Steel
N = No arm

8

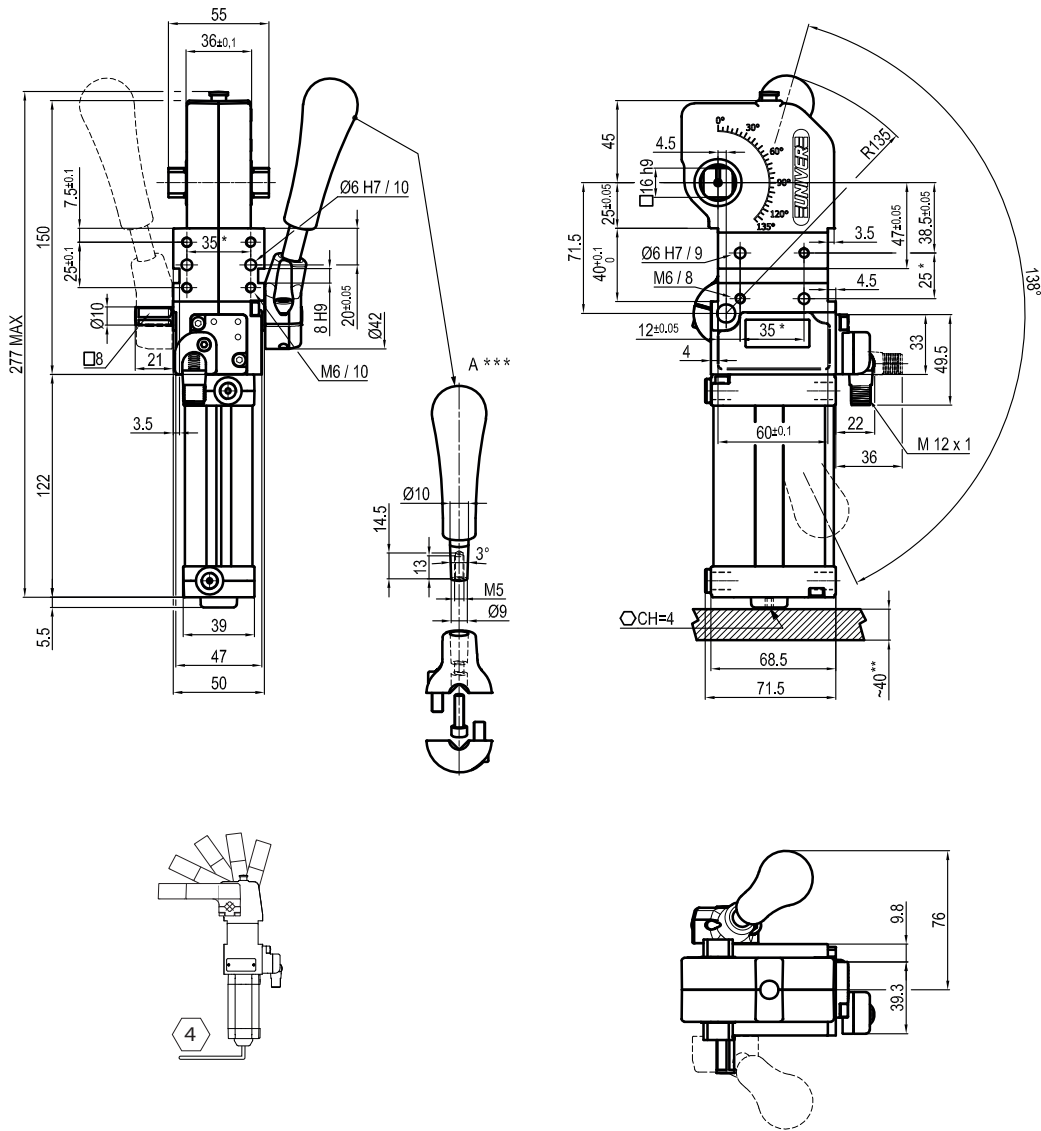
SENSOR
N = No sensor (with protection plate)
K = Electronic sensor PNP, M12 (DF-K)
D = Pneumatic sensor (DF-UPNW)
J = Electronic sensor NPN, optical (DF-J)
Y = Electronic sensor PNP, M12 (DF-Y) white LED

9

PRODUCT REVISION
Assigned by UNIVER

10

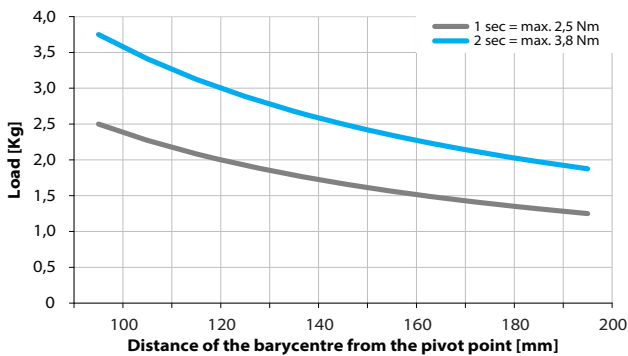
ATEX
X = ATEX option
See ATEX Catalogue for types and versions



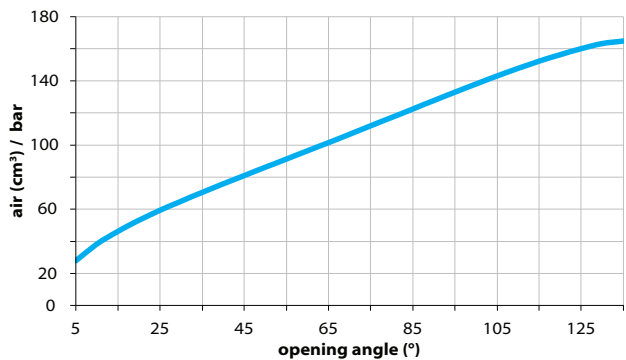
*TOLERANCE BETWEEN DOWELS $\pm 0,02$ BETWEEN SCREW HOLES $\pm 0,1$
 **AREA TO ACCESS ANGLE ADJUSTMENT
 ***DIMENSIONS TO BE RESPECTED IN CASE OTHER HAND LEVERS ARE USED

Maximum Applicable Load

Pressure: 5 bar - 90° cycle time (Open - Close)



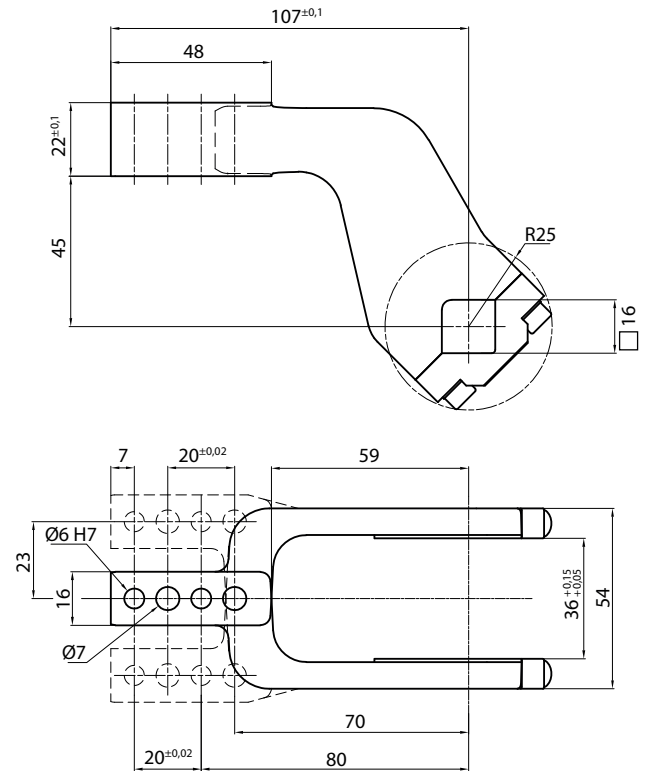
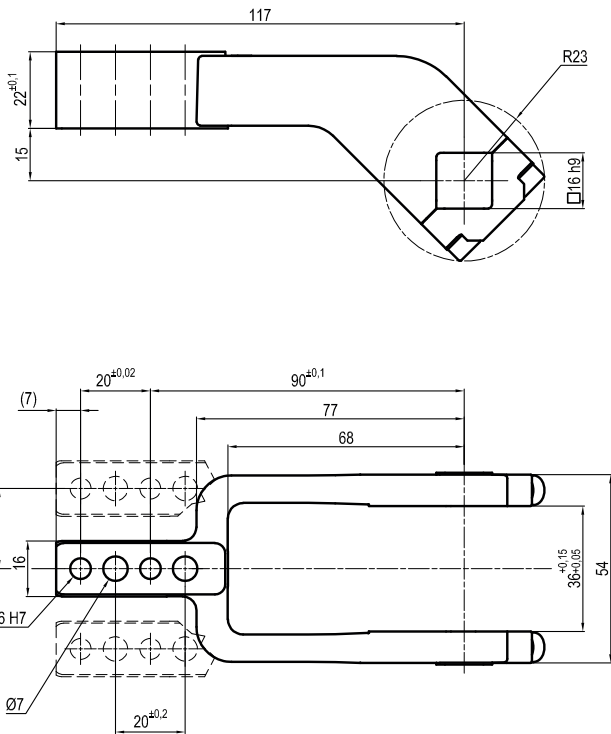
Air Consumption per Cycle



Clamping Arms

Arm Offset 15mm

Arm Offset 45mm



Armcode	Offset	Material	Arm style	Weight (Kg)	Opening angle (90°)	Opening angle (180°)
LKP01CST	15	ALUMINIUM	CENTRAL	0,2	0÷135°	0÷125°
LKP01DST	15	ALUMINIUM	RIGHT	0,2	0÷135°	0÷125°
LKP01SST	15	ALUMINIUM	LEFT	0,2	0÷135°	0÷125°
UP120151441S	15	STEEL	CENTRAL	0,4	0÷135°	0÷125°
UP120151442S	15	STEEL	RIGHT	0,4	0÷135°	0÷125°
UP120151443S	15	STEEL	LEFT	0,4	0÷135°	0÷125°
UKP01E	45	ALUMINIUM	CENTRAL	0,25	0÷125°	0÷135°
UKP01F	45	ALUMINIUM	RIGHT	0,25	0÷125°	0÷135°
UKP01L	45	ALUMINIUM	LEFT	0,25	0÷125°	0÷135°
UKP01ES	45	STEEL	CENTRAL	0,4	0÷125°	0÷135°
UKP01FS	45	STEEL	RIGHT	0,4	0÷125°	0÷135°
UKP01LS	45	STEEL	LEFT	0,4	0÷125°	0÷135°

Sensors

Accessories



Electronic (optical)

Pneumatic

Handlever

Self holding system

DF-K PNP M12
DF-J NPN M12
DF-Y PNP M12 White LED

DF-UPNW

UBF2540

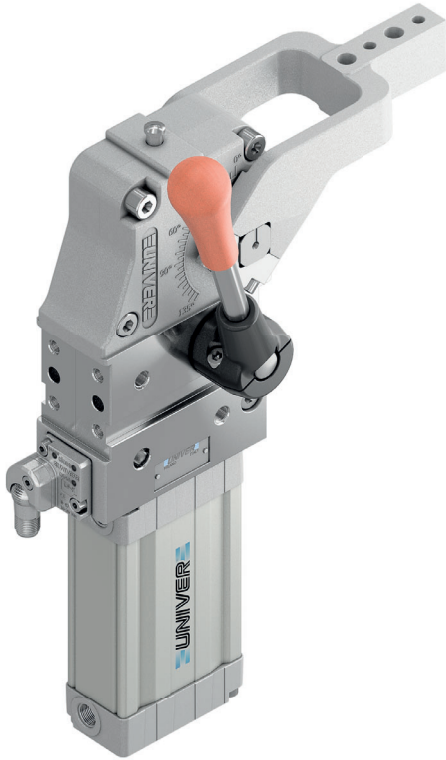
UBK46P16 For arm 15 offset
UBK46P16-45 For arm 45 offset

UCBM 50

Pneumatic power clamps Ø50 mm with hand lever

Pneumatic power clamps with compensation system, toggle-joint mechanism and stepless adjustable opening angle, typically used for handling and holding metal sheets in welding applications

- Lightweight aluminium construction
- Compact dimensions
- Integrated compensation system up to 1,7 mm
- Hand lever mount on both sides
- Fully optical electronic sensor or pneumatic sensor
- Fixing pattern on 4 sides
- Manual unlocking in case of air loss
- Self-holding system for open position available
- Clamping arm in aluminium or steel



2

CHARACTERISTICS

Operating temperature	5° ÷ 45° C
Min./Max. Operating pressure	0,4 / 0,6 MPa
Opening angle*	0° ÷ 135°
Bore Ø	50 mm
Holding moment	1250 Nm
Clamping moment (0,5 MPa)	280 Nm
Weight (clamping arm not included)	3,2 Kg
Pneumatic supply ports	G1/4 on both sides
Sensor	electronic (optical)
Supply voltage	10 ÷ 30 Vdc
IP code	IP65

*The opening angle range may vary according to the arm position and style.

CODIFICATION KEY

UC | B | M | 50 | O | E | A | K | 0 | |

1 2 3 4 5 6 7 8 9 10



COMPENSATION



LIGHTWEIGHT



IRREVERSIBLE



ANGLE ADJUSTMENT



OPTICAL SENSOR



COMPACT

1 SERIES
UC = UNICLAMP Power clamps

2 STANDARD
B = European standard

3 VERSION
M = Pneumatic with hand lever

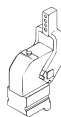
4 SIZE
50 = Ø50 mm

5 ARM POSITION

V = 90°



O = 180°



N = No arm



6 ARM STYLE
C = Central, 15 mm offset
D = Right, 15 mm offset
S = Left, 15 mm offset
E = Central, 45 mm offset
F = Right, 45 mm offset
L = Left, 45 mm offset
N = No arm
For other versions contact our Sales Dept.

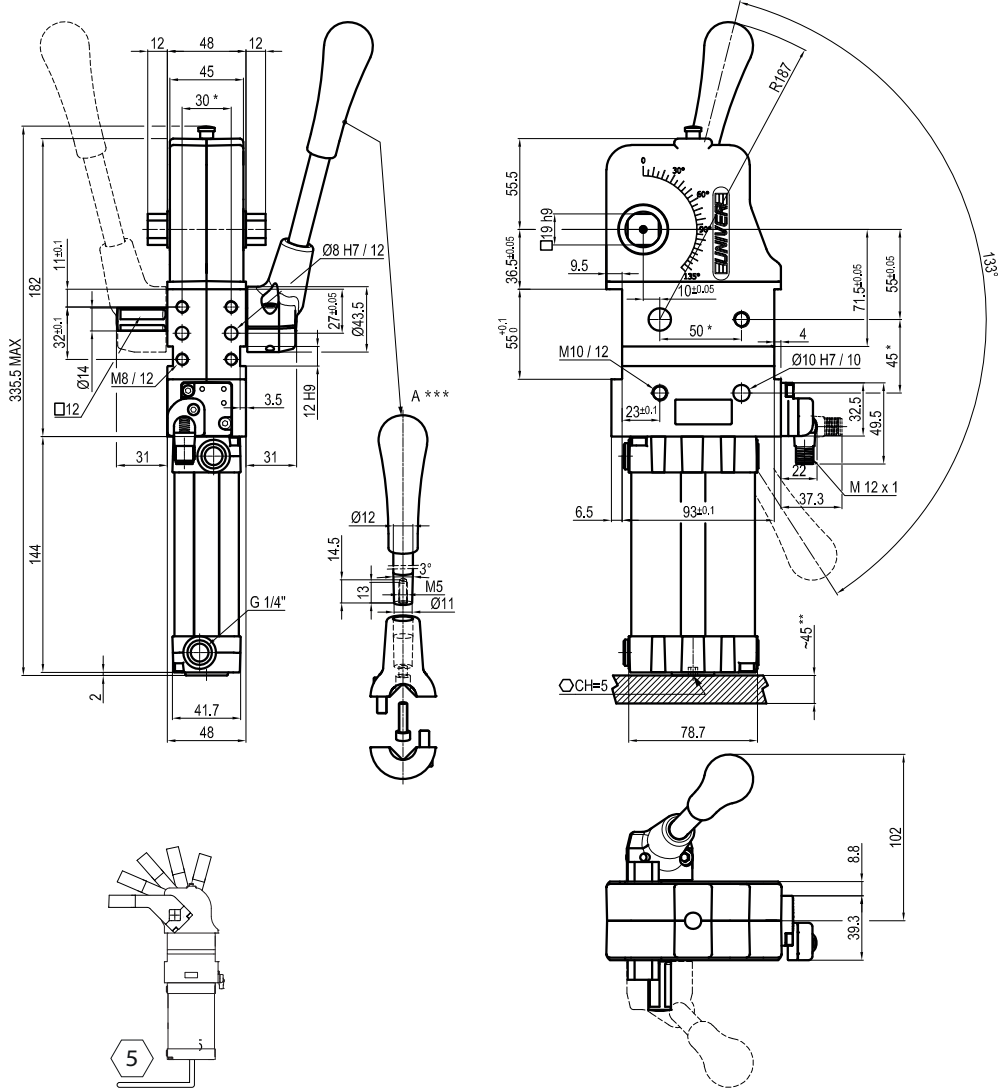
7 ARM TYPE
A = Aluminium
S = Steel
N = No arm

8 SENSOR
N = No sensor (with protection plate)
K = Electronic sensor PNP, M12 (DF-K)
D = Pneumatic sensor (DF-UPNW)
J = Electronic sensor NPN, optical (DF-J)
Y = Electronic sensor PNP, M12 (DF-Y) white LED

9 PRODUCT REVISION
Assigned by UNIVER

10 ATEX
X = ATEX option
See ATEX Catalogue for types and versions

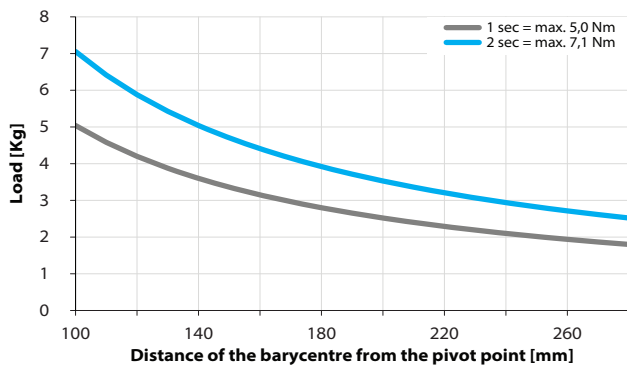
2



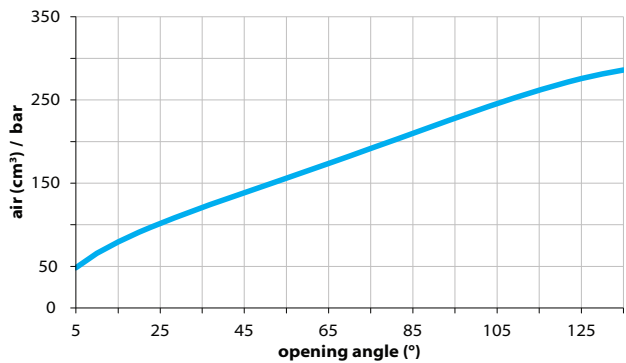
*TOLERANCE BETWEEN DOWELS ± 0,02 BETWEEN SCREW HOLES ± 0,1
 **AREA TO ACCESS ANGLE ADJUSTMENT
 ***DIMENSIONS TO BE RESPECTED IN CASE OTHER MANUAL LEVERS ARE USED

Maximum Applicable Load

Pressure: 5 bar - 90° cycle time (Open - Close)

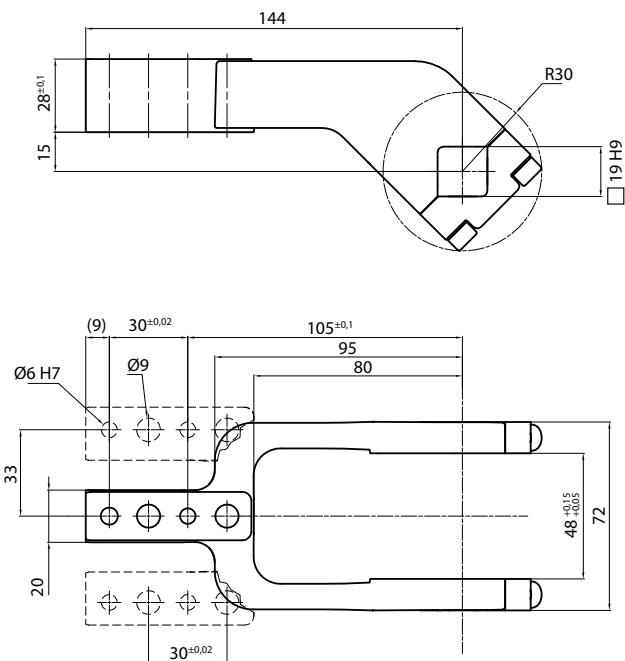


Air Consumption per Cycle

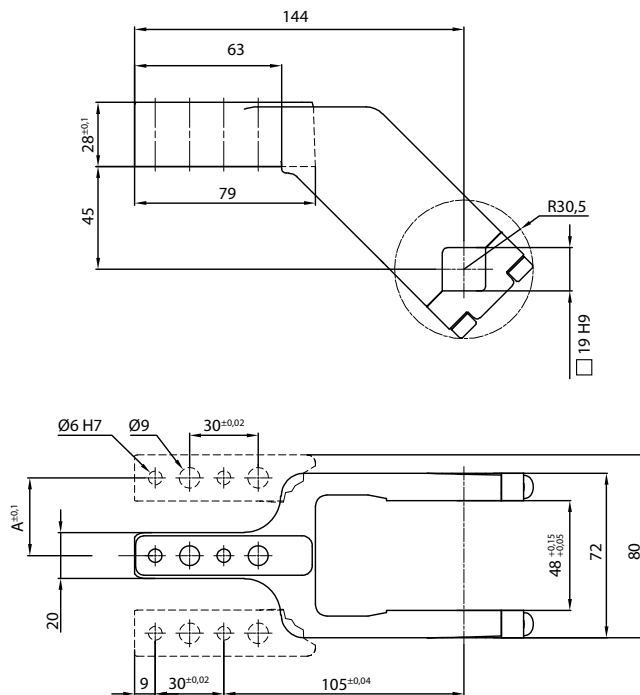


Clamping Arms

Arm Offset 15mm



Arm Offset 45mm



2



Armcode	Offset	Material	Arm style	Weight (Kg)	Opening angle (90°)	Opening angle (180°)
LKP00CL	15	ALUMINIUM	CENTRAL	0,4	0÷135°	0÷105°
LKP00DL	15	ALUMINIUM	RIGHT	0,4	0÷135°	0÷105°
LKP00SL	15	ALUMINIUM	LEFT	0,4	0÷135°	0÷105°
UP210151441G	15	STEEL	CENTRAL	0,8	0÷135°	0÷105°
UP210151442G	15	STEEL	RIGHT	0,8	0÷135°	0÷105°
UP210151443G	15	STEEL	LEFT	0,8	0÷135°	0÷105°
UKP5063E	45	ALUMINIUM	CENTRAL	0,45	0÷135°	0÷135°
UKP50F	45	ALUMINIUM	RIGHT	0,45	0÷135°	0÷135°
UKP50L	45	ALUMINIUM	LEFT	0,45	0÷135°	0÷135°
UKP5063ES	45	STEEL	CENTRAL	1,16	0÷135°	0÷135°
UKP50FS	45	STEEL	RIGHT	1,16	0÷135°	0÷135°
UKP50LS	45	STEEL	LEFT	1,16	0÷135°	0÷135°

Sensors



Electronic (optical)

- DF-K PNP M12
- DF-J NPN M12
- DF-Y PNP M12 White LED



Pneumatic

DF-UPNW

Accessories



Handlever

UBF255063



Self holding system

UBK46P19

UCBM 63

Pneumatic power clamps Ø63 mm with hand lever

Pneumatic power clamps with compensation system, toggle-joint mechanism and stepless adjustable opening angle, typically used for handling and holding metal sheets in welding applications

- Lightweight aluminium construction
- Compact dimensions
- Integrated compensation system up to 2,7 mm
- Hand lever mount on both sides
- Fully optical electronic sensor or pneumatic sensor
- Fixing pattern on 4 sides
- Manual unlocking in case of air loss
- Self-holding system for open position available
- Clamping arm in aluminium or steel

CHARACTERISTICS

Operating temperature	5° ÷ 45° C
Min./Max. Operating pressure	0,4 / 0,6 MPa
Opening angle*	0° ÷ 135°
Bore Ø	63 mm
Holding moment	1750 Nm
Clamping moment (0,5 MPa)	420 Nm
Weight (clamping arm not included)	3,6 Kg
Pneumatic supply ports	G1/4 on both sides
Sensor	electronic (optical)
Supply voltage	10 ÷ 30 Vdc
IP code	IP65

*The opening angle range may vary according to the arm position and style.

CODIFICATION KEY

UC	B	M	63	O	E	A	K	0		
1	2	3	4	5	6	7	8	9	10	



COMPENSATION



LIGHTWEIGHT



IRREVERSIBLE



ANGLE ADJUSTMENT



OPTICAL SENSOR



COMPACT

- 1** SERIES
UC = UNICLAMP Power clamps
- 2** STANDARD
B = European standard
- 3** VERSION
M = Pneumatic with hand lever

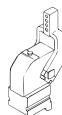
- 4** SIZE
63 = Ø63 mm

- 5** ARM POSITION

V = 90°



O = 180°



N = No arm



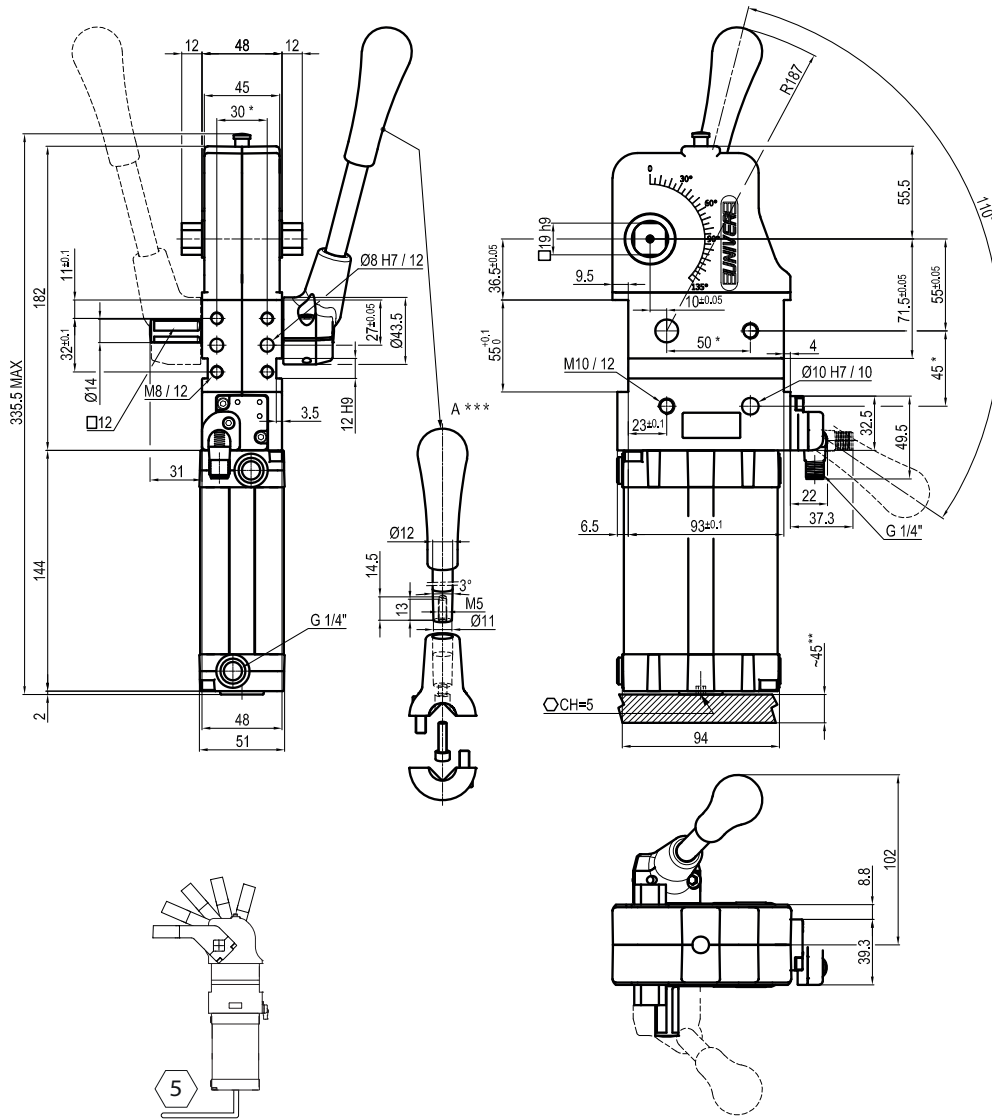
- 6** ARM STYLE
C = Central, 15 mm offset
D = Right, 15 mm offset
S = Left, 15 mm offset
E = Central, 45 mm offset
F = Right, 45 mm offset
L = Left, 45 mm offset
N = No arm
For other versions contact our Sales Dept.

- 7** ARM TYPE
A = Aluminium
S = Steel
N = No arm

- 8** SENSOR
N = No sensor (with protection plate)
K = Electronic sensor PNP, M12 (DF-K)
D = Pneumatic sensor (DF-UPNW)
J = Electronic sensor NPN, optical (DF-J)
Y = Electronic sensor PNP, M12 (DF-Y) white LED

- 9** PRODUCT REVISION
Assigned by UNIVER

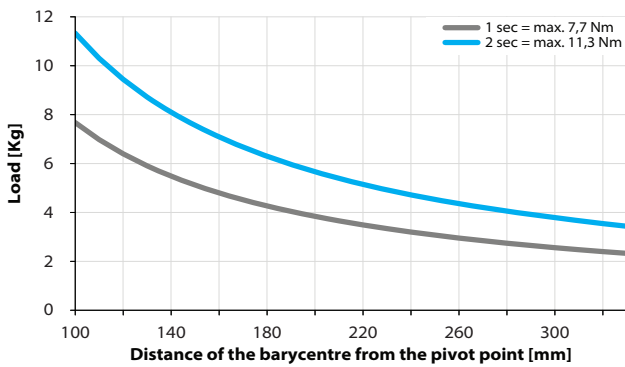
- 10** ATEX
X = ATEX option
See ATEX Catalogue for types and versions



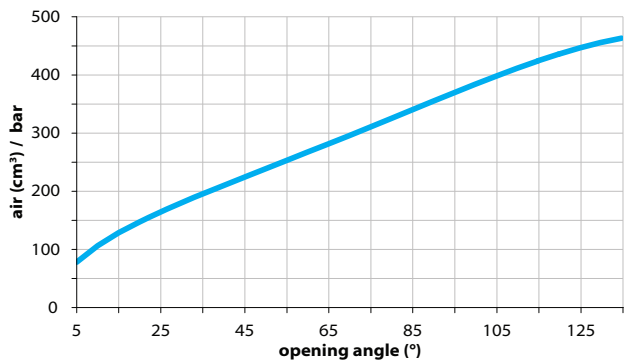
* TOLERANCE BETWEEN DOWELS $\pm 0,02$, BETWEEN SCREW HOLES $\pm 0,1$
 ** AREA TO ACCESS ANGLE ADJUSTMENT
 *** DIMENSION TO BE RESPECTED IN CASE OTHER MANUAL LEVERS ARE USED

Maximum Applicable Load

Pressure: 5 bar - 90° cycle time (Open - Close)



Air Consumption per Cycle

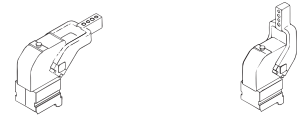
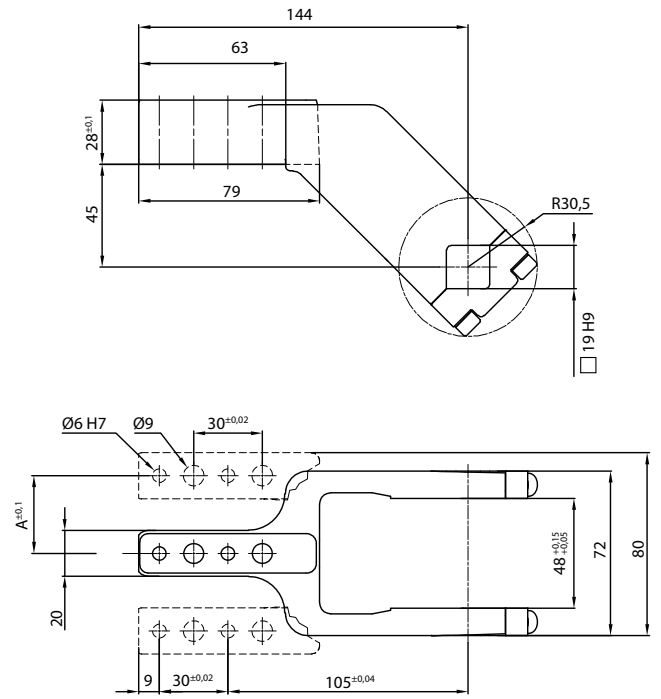
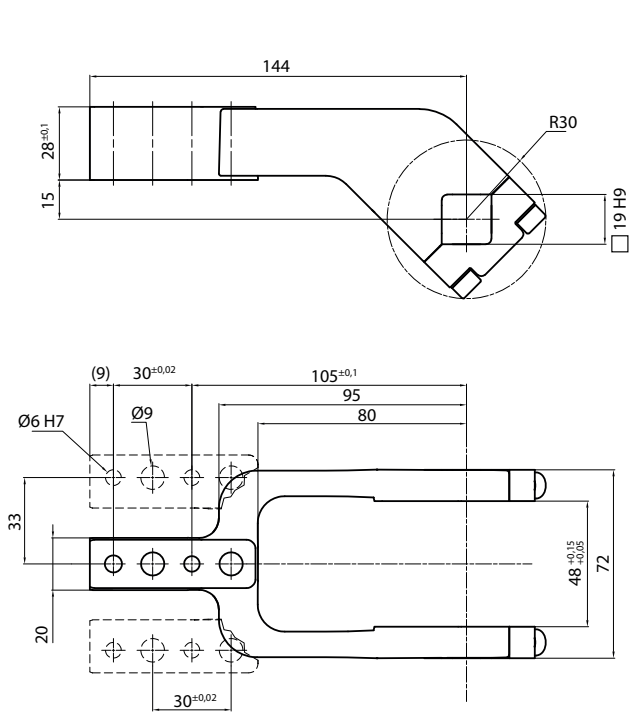


Clamping Arms

Arm Offset 15mm

Arm Offset 45mm

2



Armcode	Offset	Material	Arm style	Weight (Kg)	Opening angle (90°)	Opening angle (180°)
LKP00CL	15	ALUMINIUM	CENTRAL	0,4	0±135°	0±105°
LKP00DL	15	ALUMINIUM	RIGHT	0,4	0±135°	0±105°
LKP00SL	15	ALUMINIUM	LEFT	0,4	0±135°	0±105°
UP210151441G	15	STEEL	CENTRAL	0,8	0±135°	0±105°
UP210151442G	15	STEEL	RIGHT	0,8	0±135°	0±105°
UP210151443G	15	STEEL	LEFT	0,8	0±135°	0±105°
UKP5063E	45	ALUMINIUM	CENTRAL	0,45	0±135°	0±135°
UKP63F	45	ALUMINIUM	RIGHT	0,45	0±135°	0±135°
UKP63L	45	ALUMINIUM	LEFT	0,45	0±135°	0±135°
UKP5063ES	45	STEEL	CENTRAL	1,16	0±135°	0±135°
UKP63FS	45	STEEL	RIGHT	1,16	0±135°	0±135°
UKP63LS	45	STEEL	LEFT	1,16	0±135°	0±135°

Sensors

Accessories



Electronic (optical)

Pneumatic

Handlever

Self holding system

DF-K PNP M12
DF-J NPN M12
DF-Y PNP M12 White LED

DF-UPNW

UBF255063

UBK46P19

UCBM 80

Pneumatic power clamps Ø80 mm with hand lever

Pneumatic power clamps with compensation system, toggle-joint mechanism and stepless adjustable opening angle, typically used for handling and holding metal sheets in welding applications

- Lightweight aluminium construction
- Integrated compensation system up to 2,9 mm
- Hand lever mount on both sides
- Fully optical electronic sensor or pneumatic sensor
- Fixing pattern on 4 sides
- Manual unlocking in case of air loss
- Self-holding system for open position available
- Clamping arm in aluminium or steel



2

CHARACTERISTICS

Operating temperature	5° ÷ 45° C
Min./Max. Operating pressure	0,4 / 0,6 MPa
Opening angle*	0° ÷ 135°
Bore Ø	80 mm
Holding moment	4000 Nm
Clamping moment (0,5 MPa)	1100 Nm
Weight (clamping arm not included)	9,5 Kg
Pneumatic supply ports	G1/4 on both sides
Sensor	electronic (optical)
Supply voltage	10 ÷ 30 Vdc
IP code	IP65

*The opening angle range may vary according to the arm position and style.

CODIFICATION KEY



COMPENSATION



LIGHTWEIGHT



IRREVERSIBLE



ANGLE ADJUSTMENT



OPTICAL SENSOR

1

SERIES
UC = UNICLAMP Power clamps

2

STANDARD
B = European standard

3

VERSION
M = Pneumatic with hand lever

4

SIZE
80 = Ø 80 mm

5

ARM POSITION

V = 90°



O = 180°



N = No arm



6

ARM STYLE
C = Central, 20 mm offset
D = Right, 20 mm offset
S = Left, 20 mm offset
E = Central, 45 mm offset
F = Right, 45 mm offset
L = Left, 45 mm offset
N = No arm
For other versions contact our Sales Dept.

7

ARM TYPE
A = Aluminium
S = Steel
N = No arm

8

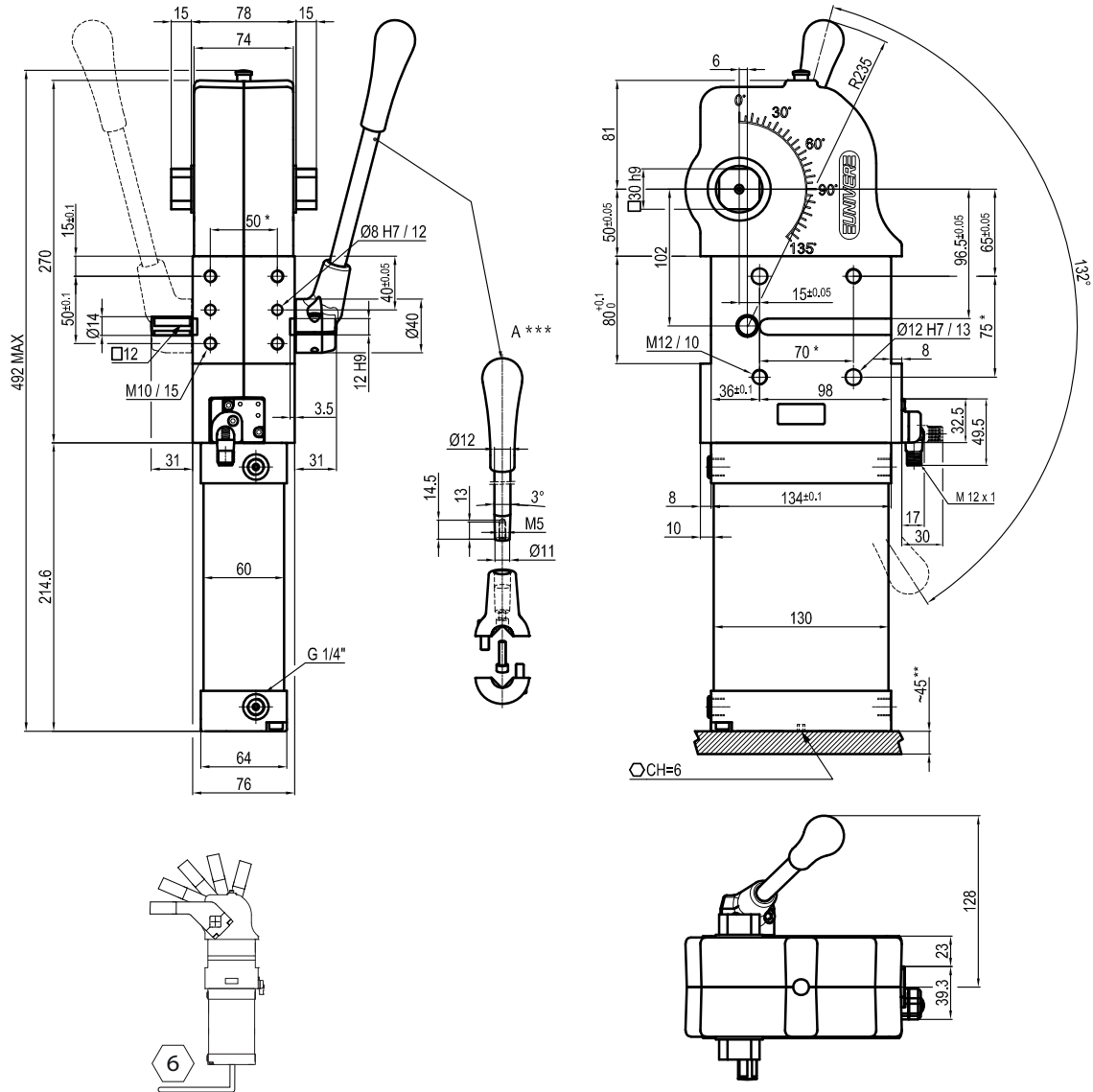
SENSOR
N = No sensor (with protection plate)
K = Electronic sensor PNP, M12 (DF-K)
D = Pneumatic sensor (DF-UPNW80)
J = Electronic sensor NPN, optical (DF-J)
Y = Electronic sensor PNP, M12 (DF-Y) white LED

9

PRODUCT REVISION
Assigned by UNIVER

10

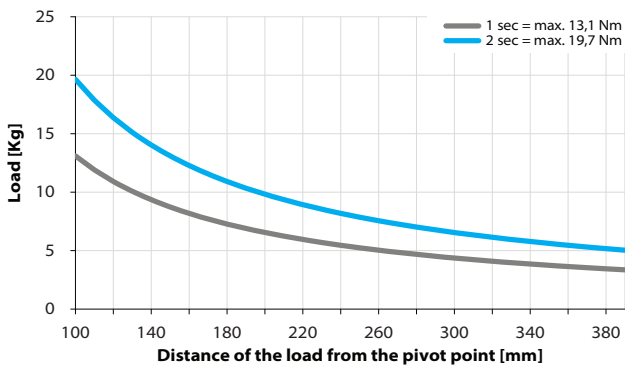
ATEX
X = ATEX option
See ATEX Catalogue for types and versions



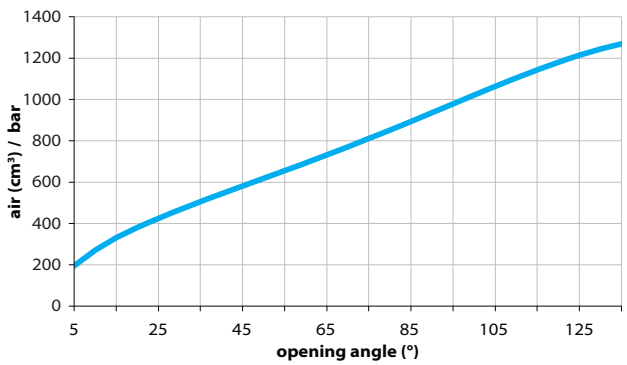
* TOLERANCE BETWEEN DOWELS ± 0,02, BETWEEN SCREW HOLES ± 0,1
 ** AREA TO ACCESS ANGLE ADJUSTMENT
 *** DIMENSION TO BE RESPECTED IN CASE OTHER MANUAL LEVERS ARE USED

Maximum Applicable Load

Pressure: 5 bar - 90° cycle time (Open - Close)

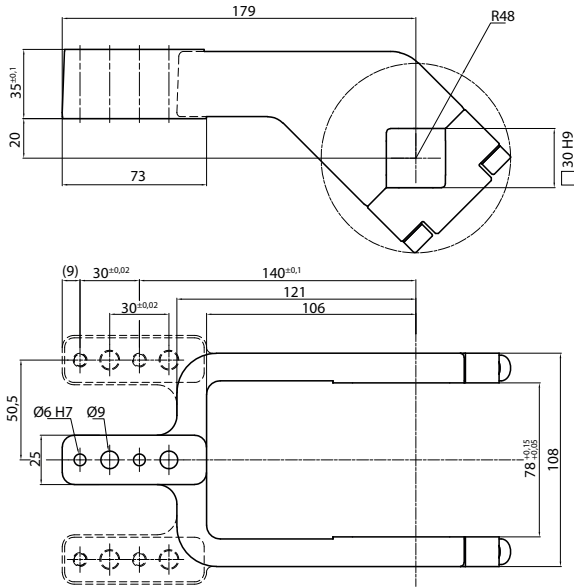


Air Consumption per Cycle

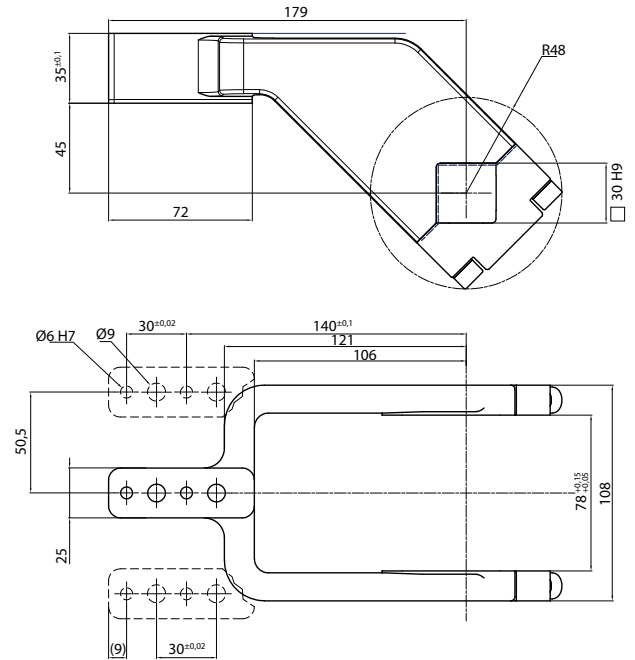


Clamping Arms

Arm Offset 20mm



Arm Offset 45mm



Armcode	Offset	Material	Arm style	Weight (Kg)	Opening angle (90°)	Opening angle (180°)
LKP80C	20	ALUMINIUM	CENTRAL	0,6	0±135°	0±105°
LKP80D	20	ALUMINIUM	RIGHT	0,6	0±135°	0±105°
LKP80S	20	ALUMINIUM	LEFT	0,6	0±135°	0±105°
UKP80CS	20	STEEL	CENTRAL	2,26	0±135°	0±105°
UKP80DS	20	STEEL	RIGHT	2,3	0±135°	0±105°
UKP80SS	20	STEEL	LEFT	2,3	0±135°	0±105°
UKP80E	45	ALUMINIUM	CENTRAL	0,6	0±135°	0±125°
UKP80F	45	ALUMINIUM	RIGHT	0,6	0±135°	0±125°
UKP80L	45	ALUMINIUM	LEFT	0,6	0±135°	0±125°
UKP80ES	45	STEEL	CENTRAL	2,2	0±135°	0±125°
UKP80FS	45	STEEL	RIGHT	2,2	0±135°	0±125°
UKP80LS	45	STEEL	LEFT	2,2	0±135°	0±125°

Sensors



Electronic (optical)

DF-K PNP M12
DF-J NPN M12
DF-Y PNP M12 White LED



Pneumatic

DF-UPNW80

Accessories



Handlever

UBF2580



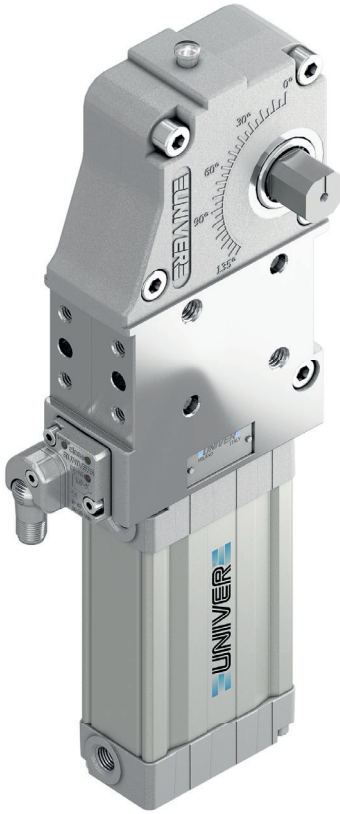
Self holding system

UBK46P30

UCNP 50

Pneumatic power clamps conforming to the NAAMS standard, Ø50 mm

Pneumatic power clamps size Ø50 mm, conforming to the NAAMS standard, with compensation system, toggle-joint mechanism and stepless adjustable opening angle, typically used for handling and holding metal sheets in welding applications



- Lightweight aluminium construction
- Compact dimensions
- Integrated compensation system up to 1,7 mm
- Version with manual hand lever available
- Fully optical electronic sensor or pneumatic sensor
- Fixing pattern on 4 sides
- Manual unlocking in case of air loss
- Drive shaft for wishbone or blade arms
- NPT or GAS connections
- Self-holding system for open position available

CHARACTERISTICS

Operating temperature	5° ÷ 45° C
Min./Max. operating pressure	0,4/0,6 Mpa
Opening angle*	0° ÷ 135°
Bore Ø	50 mm
Holding moment	1250 Nm
Clamping moment (0,5 MPa)	280 Nm
Weight (clamping arm not included)	2,7 Kg
Pneumatic supply ports	1/4 on both sides
Sensor	electronic (optical)
Supply voltage	10 ÷ 30 Vdc
IP code	IP65

*The opening angle range may vary according to the arm position and style.

CODIFICATION KEY

UC | N | P | 50 | N | N | K | G | 0 | |

1 2 3 4 5 6 7 8 9 10



COMPENSATION



LIGHTWEIGHT



IRREVERSIBLE



ANGLE ADJUSTMENT



OPTICAL SENSOR



COMPACT

1 SERIES
UC = UNICLAMP Power clamps

2 STANDARD
N = NAAMS Standard

3 VERSION
P = Pneumatic

4 SIZE
50 = Ø 50 mm

5 ARM POSITION

N = No arm



For clamping arms according to NAAMS standard, please contact our Sales Dept.

6 SQUARE SHAFT
R = Right side only
L = Left side only
N = Both sides

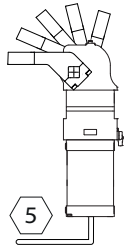
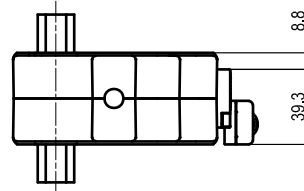
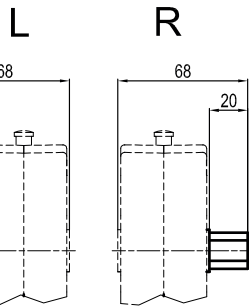
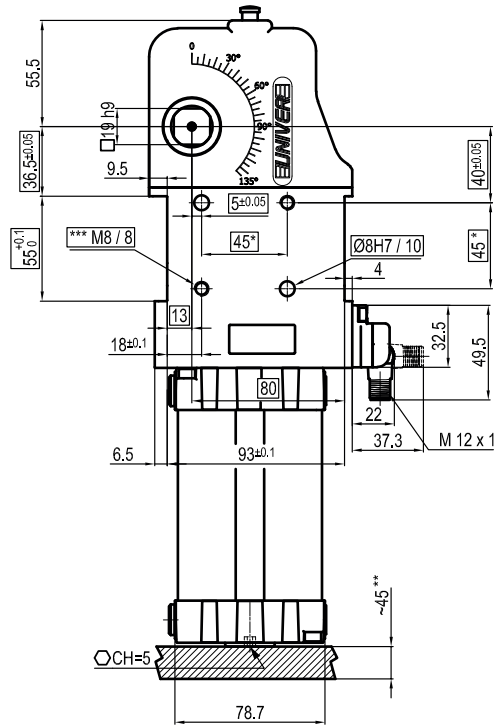
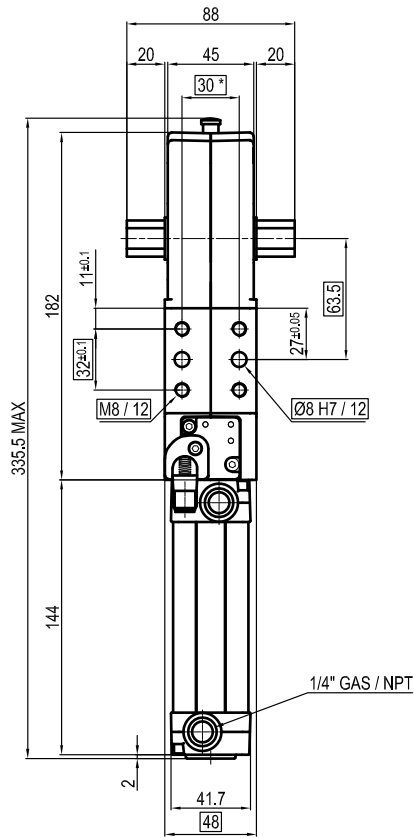
7 SENSOR
N = No sensor (with protection plate)
K = Electronic sensor PNP, M12 (DF-K)
D = Pneumatic sensor (DF-UPNW)
J = Electronic sensor NPN, optical (DF-J)
Y = Electronic sensor PNP, M12 (DF-Y) white LED

8 PORT THREAD
G = Gas
N = NPT

9 PRODUCT REVISION
Assigned by UNIVER

10 ATEX
X = ATEX option
See ATEX Catalogue for types and versions

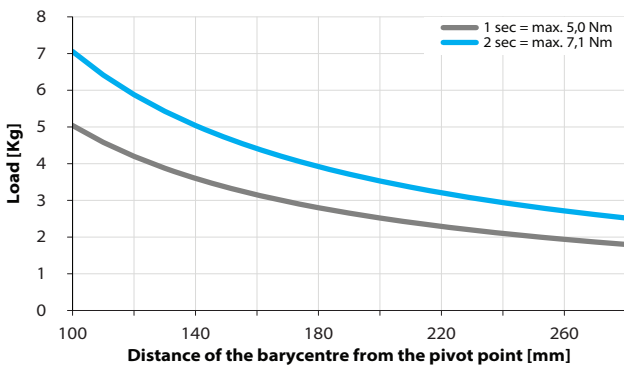
2



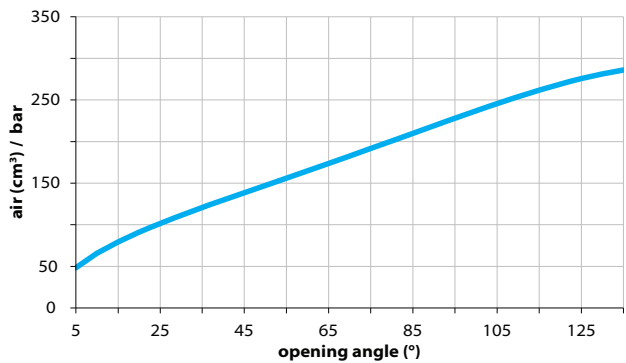
*TOLERANCE BETWEEN DOWELS $\pm 0,02$ BETWEEN SCREW HOLES $\pm 0,1$
 **AREA TO ACCESS ANGLE ADJUSTMENT
 ***SCREW THREAD INSERT

Maximum Applicable Load

Pressure: 5 bar - 90° cycle time (Open - Close)



Air Consumption per Cycle



Sensors



Electronic (optical)

DF-K PNP M12
DF-J NPN M12
DF-Y PNP M12 White LED



Pneumatic

DF-UPNW

Accessories



Self holding system

UBK46P19N For blade arms
UBK46P19ND For wishbone arms

UCNP 63

Pneumatic power clamps conforming to the NAAMS standard, Ø63 mm

Pneumatic power clamps size Ø63 mm conforming to the NAAMS standard with compensation system, toggle-joint mechanism and stepless adjustable opening angle, typically used for handling and holding metal sheets in welding applications

- Lightweight aluminium construction
- Compact dimensions
- Integrated compensation system up to 2,7 mm
- Version with manual hand lever available
- Fully optical electronic sensor or pneumatic sensor
- Fixing pattern on 4 sides
- Manual unlocking in case of air loss
- Drive shaft for wishbone or blade arms
- NPT or GAS connections
- Self-holding system for open position available

CHARACTERISTICS


Operating temperature	5° ÷ 45° C
Min./Max. operating pressure	0,4/0,6 Mpa
Opening angle*	0° ÷ 135°
Bore Ø	63 mm
Holding moment	1750 Nm
Clamping moment (0,5 MPa)	420 Nm
Weight (clamping arm not included)	3,1 Kg
Pneumatic supply ports	1/4 on both sides
Sensor	electronic (optical)
Supply voltage	10 ÷ 30 Vdc
IP code	IP65

*The opening angle range may vary according to the arm position and style.



CODIFICATION KEY

UC	N	P	63	N	N	K	G	0	
1	2	3	4	5	6	7	8	9	10

1	SERIES UC = UNICLAMP Power clamps	6	SQUARE SHAFT R = Right side only L = Left side only N = Both sides
2	STANDARD N = NAAMS Standard	7	SENSOR N = No sensor (with protection plate) K = Electronic sensor PNP, M12 (DF-K) D = Pneumatic sensor (DF-UPNW) J = Electronic sensor NPN, optical (DF-J) Y = Electronic sensor PNP, M12 (DF-Y) white LED
3	VERSION P = Pneumatic	8	PORT THREAD G = Gas N = NPT
4	SIZE 63 = Ø 63 mm	9	PRODUCT REVISION Assigned by UNIVER
5	ARM POSITION N = No arm  For clamping arms according to NAAMS standard, please contact our Sales Dept.	10	ATEX X = ATEX option See ATEX Catalogue for types and versions



COMPENSATION



LIGHTWEIGHT



IRREVERSIBLE



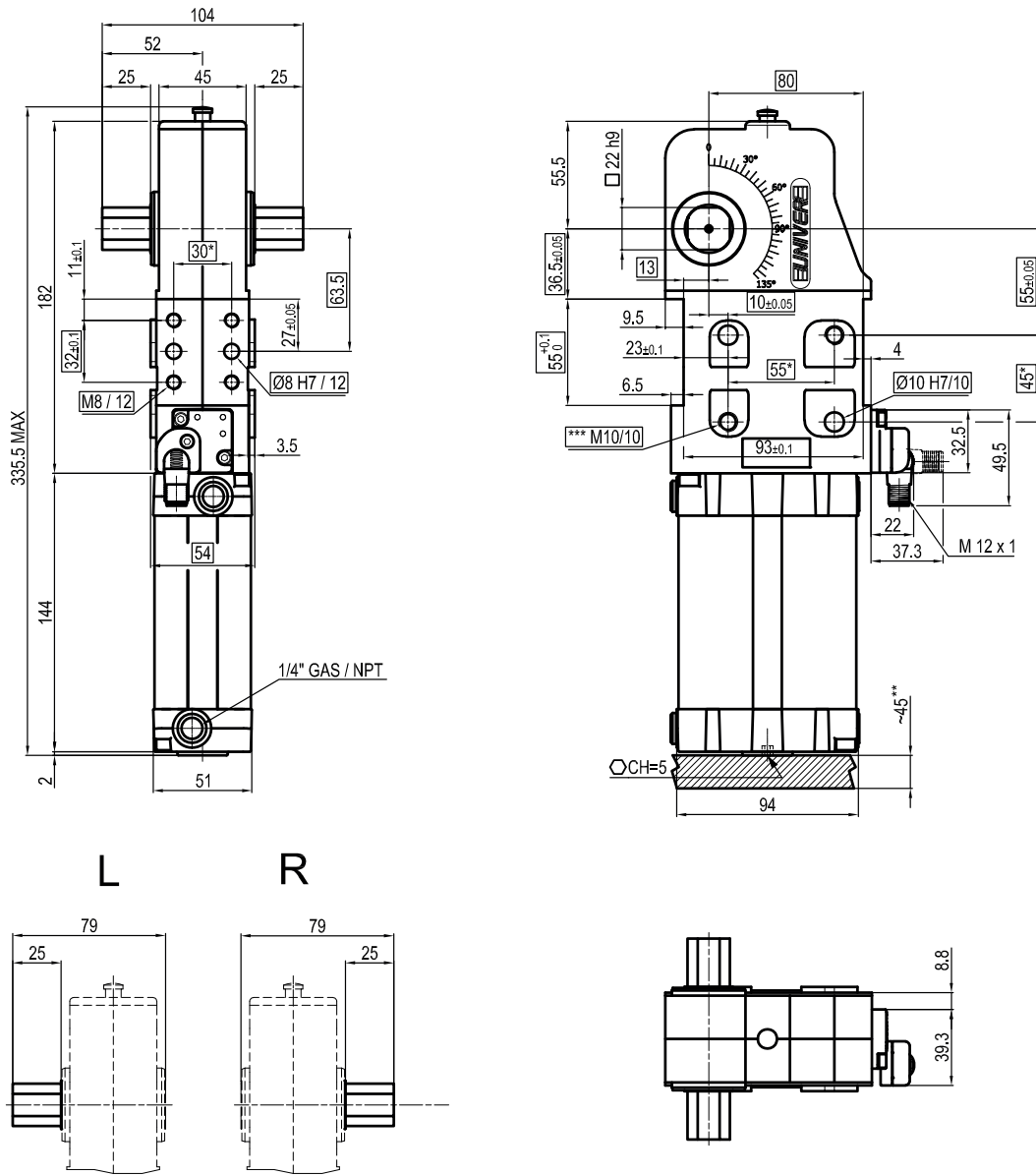
ANGLE ADJUSTMENT



OPTICAL SENSOR



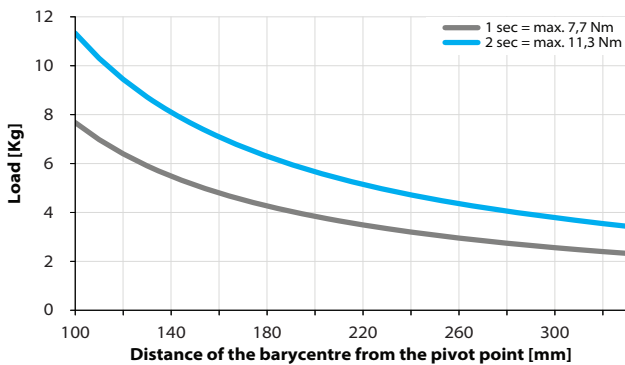
COMPACT



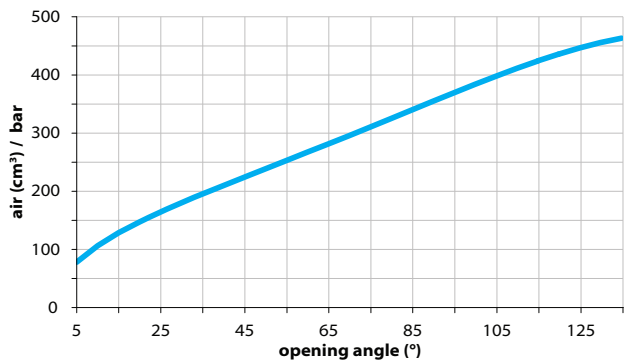
*TOLERANCE BETWEEN DOWELS ± 0,02 BETWEEN SCREW HOLES ± 0,1
 **AREA TO ACCESS ANGLE ADJUSTMENT
 ***SCREW THREAD INSERT

Maximum Applicable Load

Pressure: 5 bar - 90° cycle time (Open - Close)



Air Consumption per Cycle



Sensors



Electronic (optical)

DF-K PNP M12
DF-J NPN M12
DF-Y PNP M12 White LED



Pneumatic

DF-UPNW

Accessories



Self holding system

UBK46P22N For blade arms
UBK46P22ND For wishbone arms

UCNP 80

Pneumatic power clamps conforming to the NAAMS standard, Ø80 mm
 Pneumatic power clamps size Ø80 mm conforming to the NAAMS standard with compensation system, toggle-joint mechanism and stepless adjustable opening angle, typically used for handling and holding metal sheets in welding applications



- Lightweight aluminium construction
- Integrated compensation system up to 2,9 mm
- Version with manual hand lever available
- Fully optical electronic sensor or pneumatic sensor
- Fixing pattern on 4 sides
- Manual unlocking in case of air loss
- Drive shaft for wishbone or blade arms
- NPT or GAS connections
- Self-holding system for open position available

2

CHARACTERISTICS

Operating temperature	5° ÷ 45° C
Min./Max. operating pressure	0,4/0,6 Mpa
Opening angle*	0° ÷ 135°
Bore Ø	80 mm
Holding moment	4000 Nm
Clamping moment (0,5 MPa)	1100 Nm
Weight (clamping arm not included)	8,6 Kg
Pneumatic supply ports	1/4 on both sides
Sensor	electronic (optical)
Supply voltage	10 ÷ 30 Vdc
IP code	IP65

*The opening angle range may vary according to the arm position and style.

CODIFICATION KEY

UC | N | P | 80 | N | N | K | G | 0 | |
 1 | 2 | 3 | 4 | 5 | 6 | 7 | 8 | 9 | 10



COMPENSATION



LIGHTWEIGHT




IRREVERSIBLE



ANGLE ADJUSTMENT

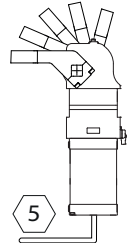
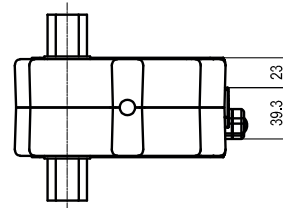
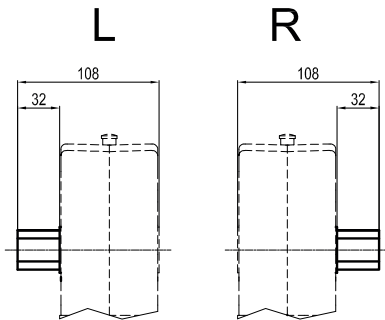
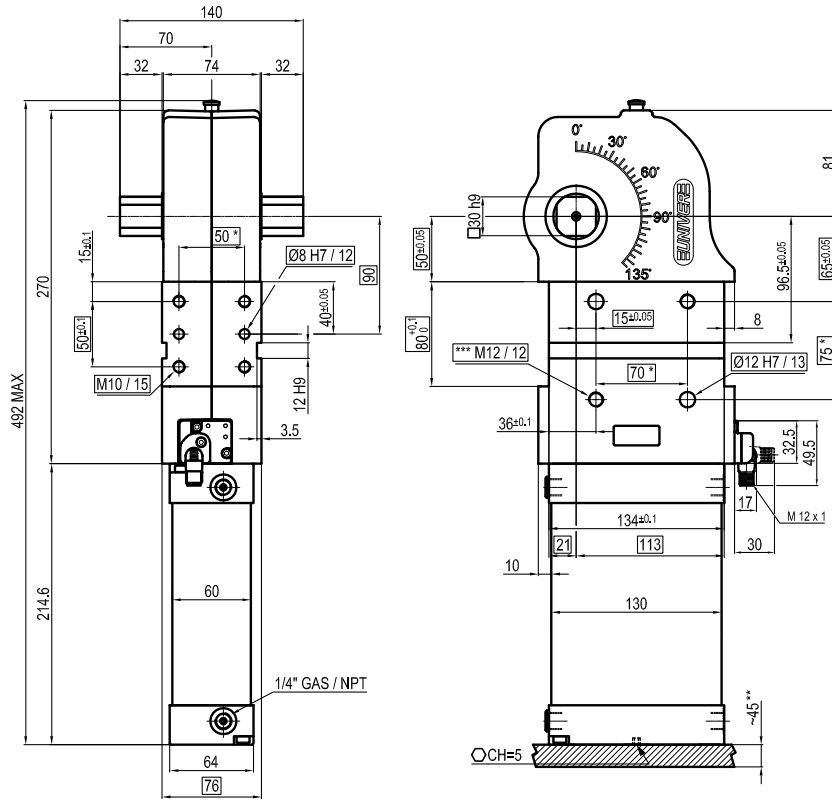


OPTICAL SENSOR

- 1 SERIES
UC = UNICLAMP Power clamps
- 2 STANDARD
N = NAAMS Standard
- 3 VERSION
P = Pneumatic
- 4 SIZE
80 = Ø 80 mm
- 5 ARM POSITION
N = No arm 
For clamping arms according to NAAMS standard, please contact our Sales Dept.

- 6 SQUARE SHAFT
R = Right side only
L = Left side only
N = Both sides
- 7 SENSOR
N = No sensor (with protection plate)
K = Electronic sensor PNP, M12 (DF-K)
D = Pneumatic sensor (DF-UPNW80)
J = Electronic sensor NPN, optical (DF-J)
Y = Electronic sensor PNP, M12 (DF-Y) white LED
- 8 PORT THREAD
G = Gas
N = NPT
- 9 PRODUCT REVISION
Assigned by UNIVER
- 10 ATEX
X = ATEX option
See ATEX Catalogue for types and versions

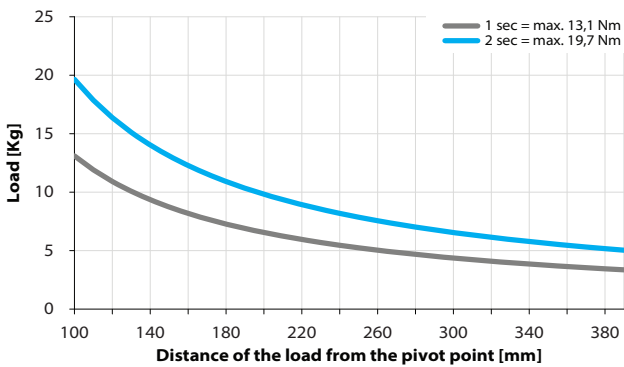
2



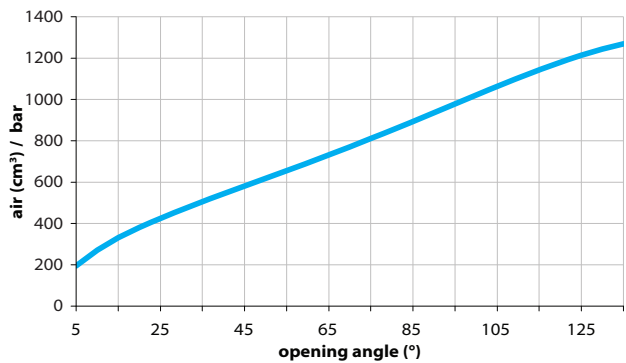
**TOLERANCE BETWEEN DOWELS ± 0,02 BETWEEN SCREW HOLES ± 0,1
 **AREA TO ACCESS ANGLE ADJUSTMENT
 ***SCREW THREAD INSERT

Maximum Applicable Load

Pressure: 5 bar - 90° cycle time (Open - Close)



Air Consumption per Cycle



Sensors



Electronic (optical)

DF-K PNP M12
DF-J NPN M12
DF-Y PNP M12 White LED



Pneumatic

DF-UPNW80

Accessories



Self holding system

UBK46P30N For blade arms
UBK46P30ND For wishbone arms

UCNM 50

Pneumatic power clamps conforming to the NAAMS standard, Ø50 mm with hand lever

Pneumatic power clamps size Ø50 mm, conforming to the NAAMS standard with hand lever, compensation system, toggle-joint mechanism and stepless adjustable opening angle, typically used for handling and holding metal sheets in welding applications

- Lightweight aluminium construction and compact dimensions
- Integrated compensation system up to 1,7 mm
- Hand lever mount on both sides
- Fully optical electronic sensor or pneumatic sensor
- Fixing pattern on 4 sides
- Manual unlocking in case of air loss
- Drive shaft for wishbone or blade arms
- NPT or GAS connections
- Self-holding system for open position available

CHARACTERISTICS

Operating temperature	5° ÷ 45° C
Min./Max. operating pressure	0,4/0,6 Mpa
Opening angle*	0° ÷ 135°
Bore Ø	50 mm
Holding moment	1250 Nm
Clamping moment (0,5 MPa)	280 Nm
Weight (clamping arm not included)	3,4 Kg
Pneumatic supply ports	1/4 on both sides
Sensor	electronic (optical)
Supply voltage	10 ÷ 30 Vdc
IP code	IP65

*The opening angle range may vary according to the arm position and style.



CODIFICATION KEY

UC	N	M	50	N	N	K	G	0	
1	2	3	4	5	6	7	8	9	10



COMPENSATION



LIGHTWEIGHT



IRREVERSIBLE



ANGLE ADJUSTMENT



OPTICAL SENSOR



COMPACT

1 SERIES
UC = UNICLAMP Power clamps

2 STANDARD
N = NAAMS Standard

3 VERSION
M = Pneumatic with hand lever

4 SIZE
50 = Ø 50 mm

5 ARM POSITION

N = No arm



For clamping arms according to NAAMS standard, please contact our Sales Dept.

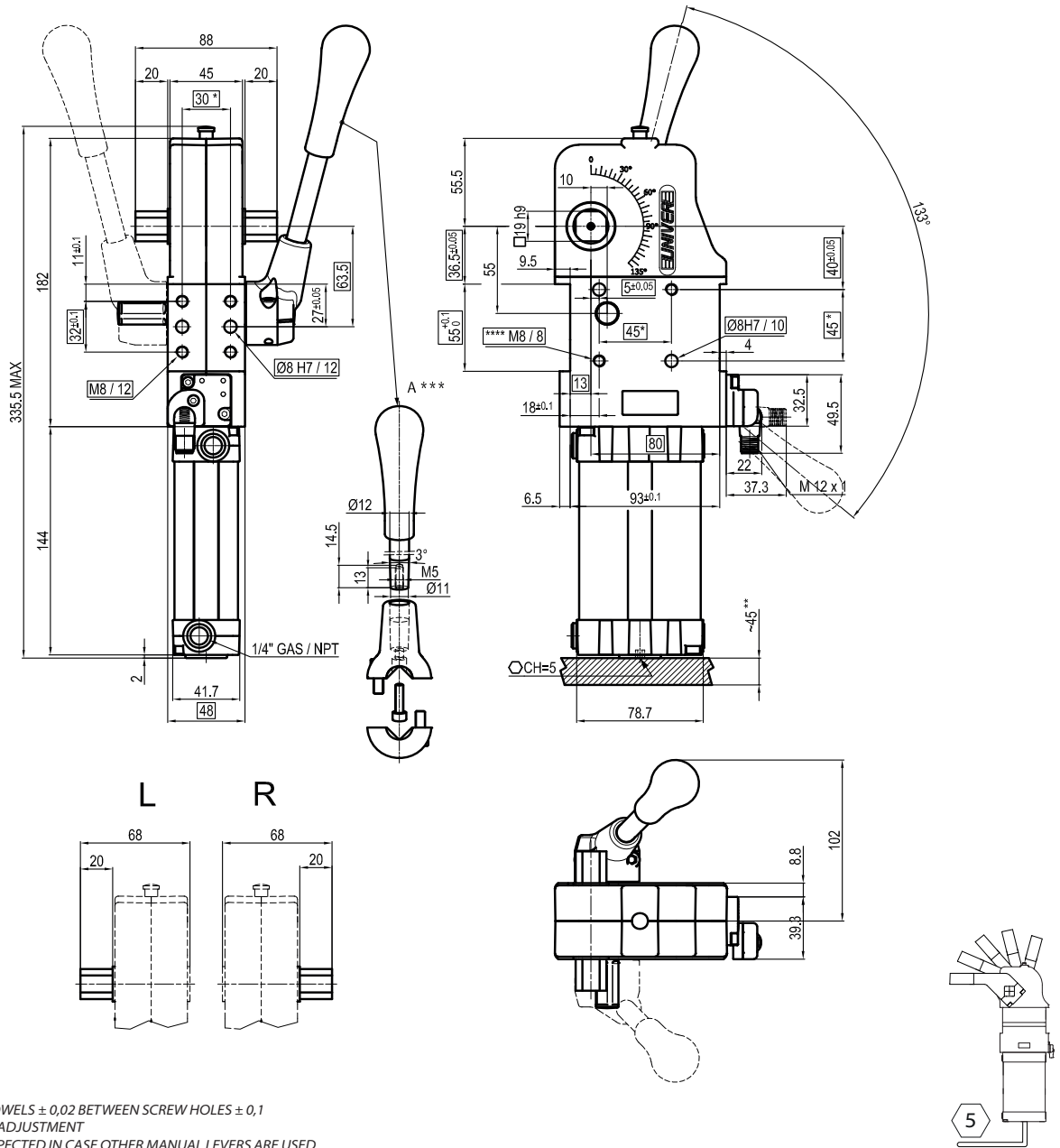
6 SQUARE SHAFT
R = Right side only
L = Left side only
N = Both sides

7 SENSOR
N = No sensor (with protection plate)
K = Electronic sensor PNP, M12 (DF-K)
D = Pneumatic sensor (DF-UPNW)
J = Electronic sensor NPN, optical (DF-J)
Y = Electronic sensor PNP, M12 (DF-Y) white LED

8 PORT THREAD
G = Gas
N = NPT

9 PRODUCT REVISION
Assigned by UNIVER

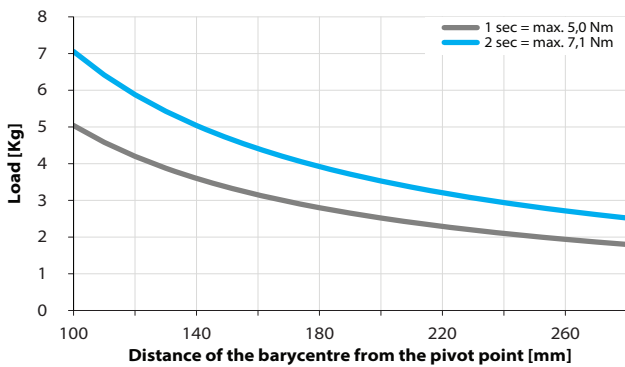
10 ATEX
X = ATEX option
See ATEX Catalogue for types and versions



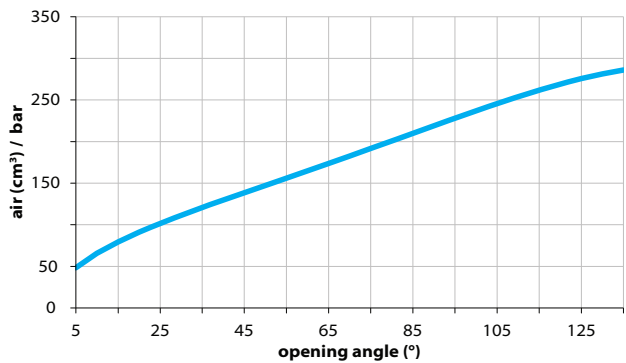
*TOLERANCE BETWEEN DOWELS $\pm 0,02$ BETWEEN SCREW HOLES $\pm 0,1$
 **AREA TO ACCESS ANGLE ADJUSTMENT
 ***DIMENSIONS TO BE RESPECTED IN CASE OTHER MANUAL LEVERS ARE USED
 ****SCREW THREAD INSERT

Maximum Applicable Load

Pressure: 5 bar - 90° cycle time (Open - Close)



Air Consumption per Cycle



Sensors



Electronic (optical)

DF-K PNP M12
DF-J NPN M12
DF-Y PNP M12 White LED



Pneumatic

DF-UPNW80

Accessories



Handlever

UBF255063



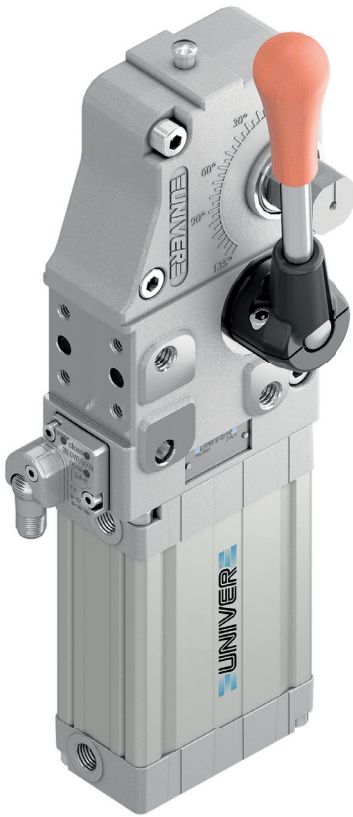
Self holding system

UBK46P19N For blade arms
UBK46P19ND For wishbone arms

UCNM 63

Pneumatic power clamps conforming to the NAAMS standard, Ø63 mm with hand lever

Pneumatic power clamps size Ø63 mm, conforming to the NAAMS standard with hand lever, compensation system, toggle-joint mechanism and stepless adjustable opening angle, typically used for handling and holding metal sheets in welding applications



- Lightweight aluminium construction and compact dimensions
- Integrated compensation system up to 2,7 mm
- Hand lever mount on both sides
- Fully optical electronic sensor or pneumatic sensor
- Fixing pattern on 4 sides
- Manual unlocking in case of air loss
- Drive shaft for wishbone or blade arms
- NPT or GAS connections
- Self-holding system for open position available

CHARACTERISTICS

Operating temperature	5° ÷ 45° C
Min./Max. operating pressure	0,4/0,6 Mpa
Opening angle*	0° ÷ 135°
Bore Ø	63 mm
Holding moment	1750 Nm
Clamping moment (0,5 MPa)	420 Nm
Weight (clamping arm not included)	3,8 Kg
Pneumatic supply ports	G1/4 on both sides
Sensor	electronic (optical)
Supply voltage	10 ÷ 30 Vdc
IP code	IP65

*The opening angle range may vary according to the arm position and style.

CODIFICATION KEY



COMPENSATION



LIGHTWEIGHT



IRREVERSIBLE



ANGLE ADJUSTMENT



OPTICAL SENSOR



COMPACT

1

SERIES
UC = UNICLAMP Power clamps

2

STANDARD
N = NAAMS Standard

3

VERSION
M = Pneumatic with hand lever

4

SIZE
63 = Ø 63 mm

5

ARM POSITION

N = No arm



For clamping arms according to NAAMS standard, please contact our Sales Dept.

6

SQUARE SHAFT
R = Right side only
L = Left side only
N = Both sides

7

SENSOR
N = No sensor (with protection plate)
K = Electronic sensor PNP, M12 (DF-K)
D = Pneumatic sensor (DF-UPNW)
J = Electronic sensor NPN, optical (DF-J)
Y = Electronic sensor PNP, M12 (DF-Y) white LED

8

PORT THREAD
G = Gas
N = NPT

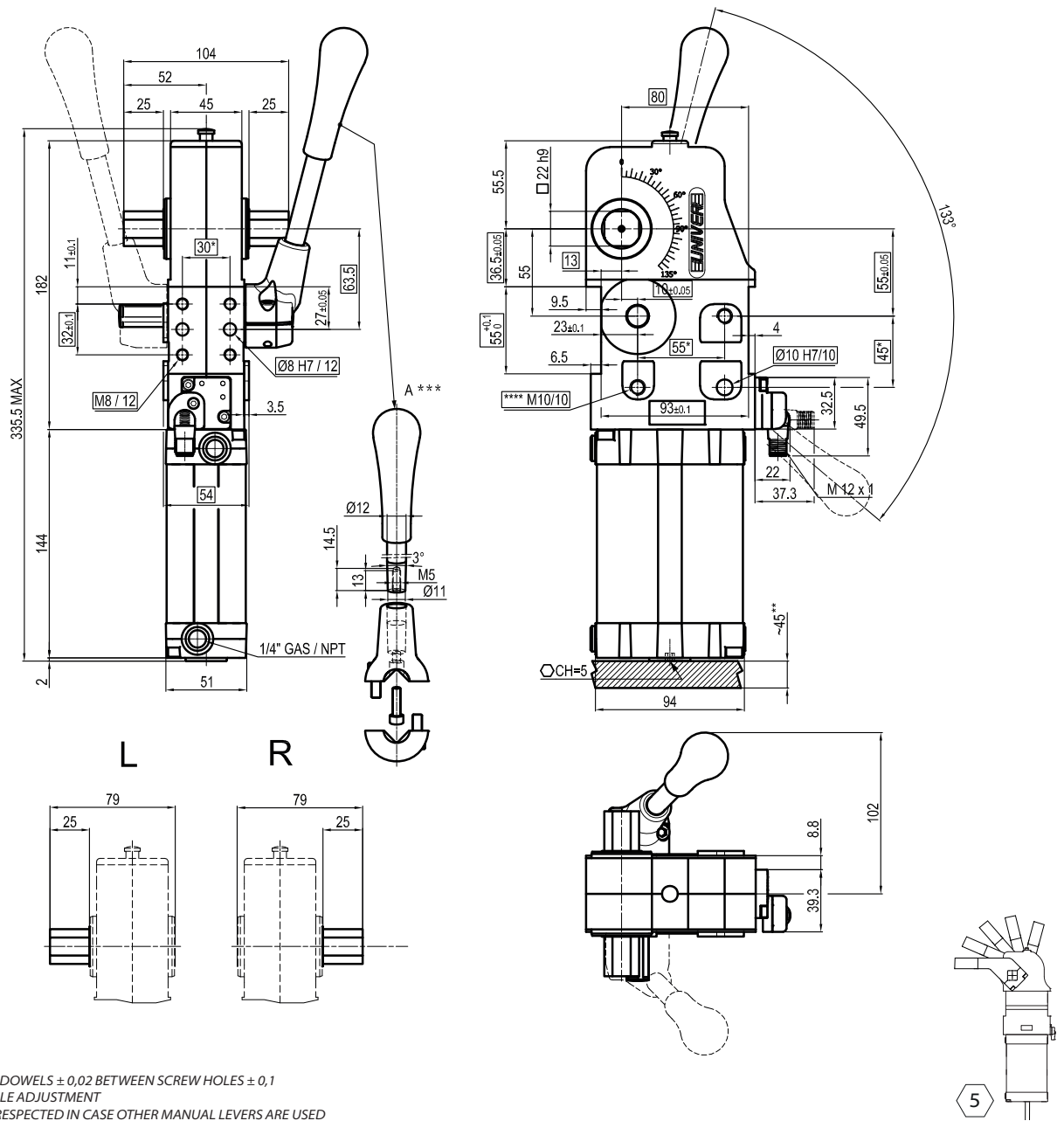
9

PRODUCT REVISION
Assigned by UNIVER

10

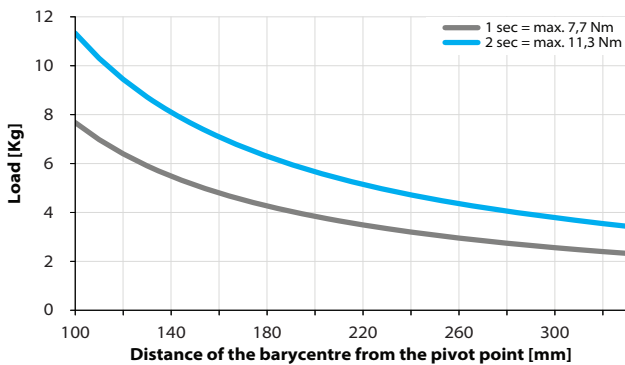
ATEX
X = ATEX option
See ATEX Catalogue for types and versions

2

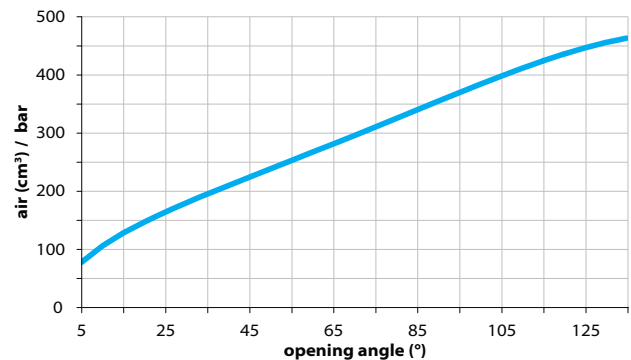


Maximum Applicable Load

Pressure: 5 bar - 90° cycle time (Open - Close)



Air Consumption per Cycle



Sensors



Electronic (optical)

DF-K PNP M12
DF-J NPN M12
DF-Y PNP M12 White LED



Pneumatic

DF-UPNW

Accessories



Handlever

UBF255063



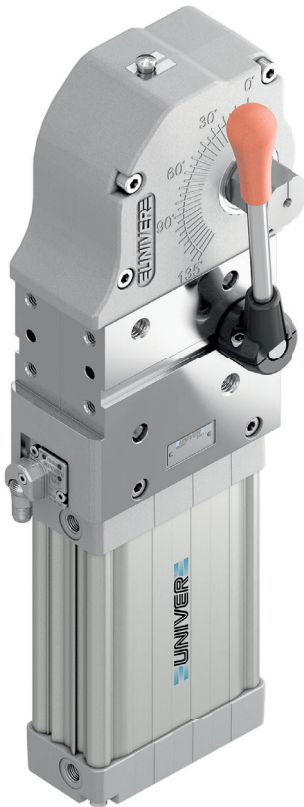
Self holding system

UBK46P22N For blade arms
UBK46P22ND For wishbone arms

UCNM 80

Pneumatic power clamps conforming to the NAAMS standard, Ø80 mm with hand lever

Pneumatic power clamps size Ø80 mm, conforming to the NAAMS standard with hand lever, compensation system, toggle-joint mechanism and stepless adjustable opening angle, typically used for handling and holding metal sheets in welding applications



- Lightweight aluminium construction
- Integrated compensation system up to 2,9 mm
- Hand lever mount on both sides
- Fully optical electronic sensor or pneumatic sensor
- Fixing pattern on 4 sides
- Manual unlocking in case of air loss
- Drive shaft for wishbone or blade arms
- NPT or GAS connections
- Self-holding system for open position available

CHARACTERISTICS

Operating temperature	5° ÷ 45° C
Min./Max. operating pressure	0,4/0,6 Mpa
Opening angle*	0° ÷ 135°
Bore Ø	80 mm
Holding moment	4000 Nm
Clamping moment (0,5 MPa)	1100 Nm
Weight (clamping arm not included)	9,5 Kg
Pneumatic supply ports	G1/4 on both sides
Sensor	electronic (optical)
Supply voltage	10 ÷ 30 Vdc
IP code	IP65

*The opening angle range may vary according to the arm position and style.



CODIFICATION KEY

UC | N | M | 80 | N | N | K | G | 0 | |

1 2 3 4 5 6 7 8 9 10



COMPENSATION



LIGHTWEIGHT



IRREVERSIBLE



ANGLE ADJUSTMENT



OPTICAL SENSOR

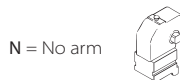
1 SERIES
UC = UNICLAMP Power clamps

2 STANDARD
N = NAAMS Standard

3 VERSION
M = Pneumatic with hand lever

4 SIZE
80 = Ø 80 mm

5 ARM POSITION



N = No arm

For clamping arms according to NAAMS standard, please contact our Sales Dept.

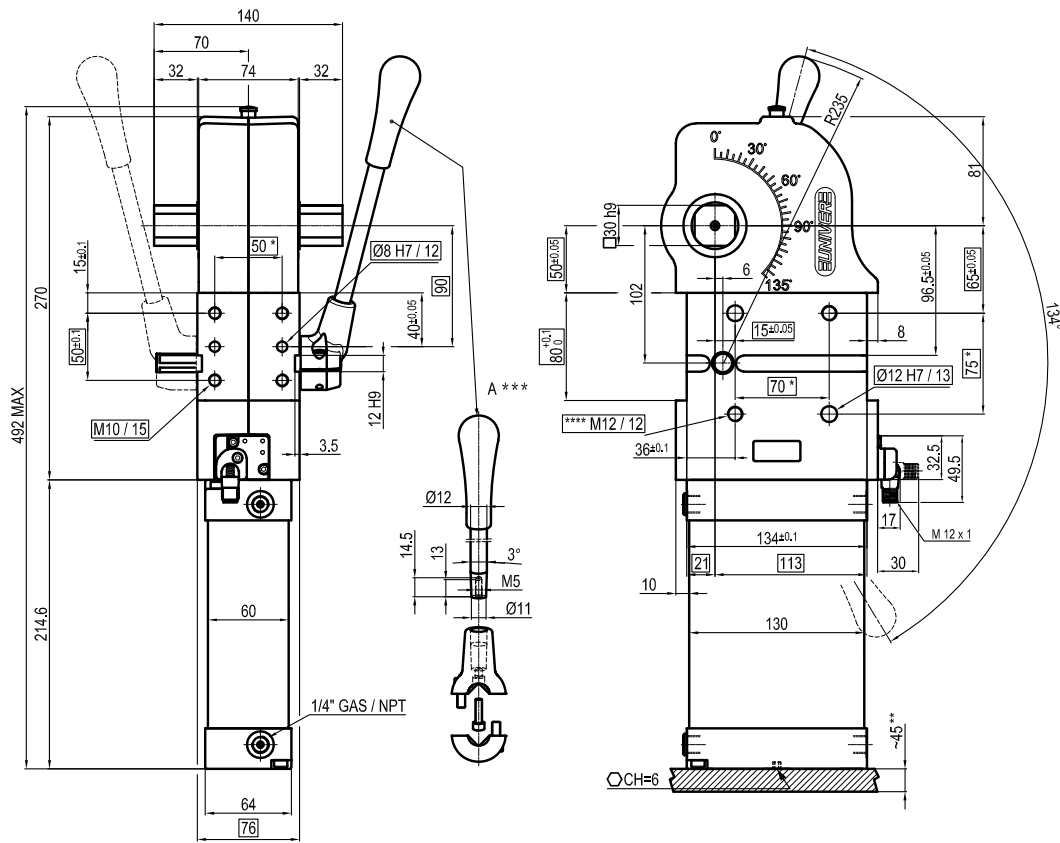
6 SQUARE SHAFT
R = Right side only
L = Left side only
N = Both sides

7 SENSOR
N = No sensor (with protection plate)
K = Electronic sensor PNP, M12 (DF-K)
D = Pneumatic sensor (DF-UPNW80)
J = Electronic sensor NPN, optical (DF-J)
Y = Electronic sensor PNP, M12 (DF-Y) white LED

8 PORT THREAD
G = Gas
N = NPT

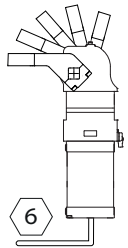
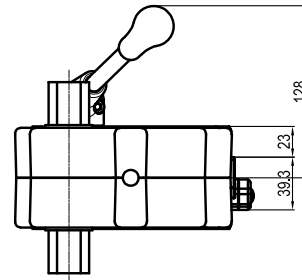
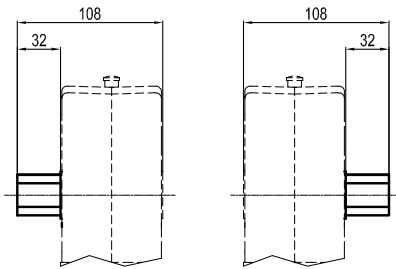
9 PRODUCT REVISION
Assigned by UNIVER

10 ATEX
X = ATEX option
See ATEX Catalogue for types and versions



L

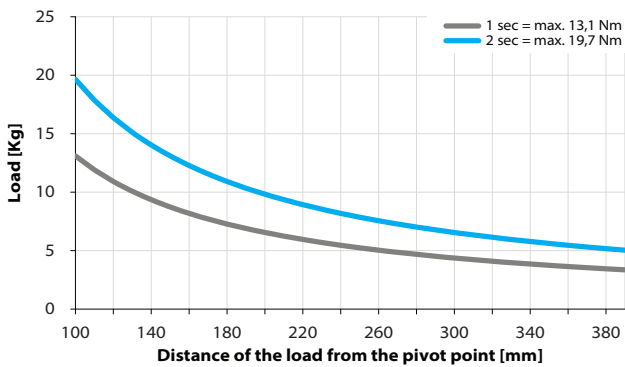
R



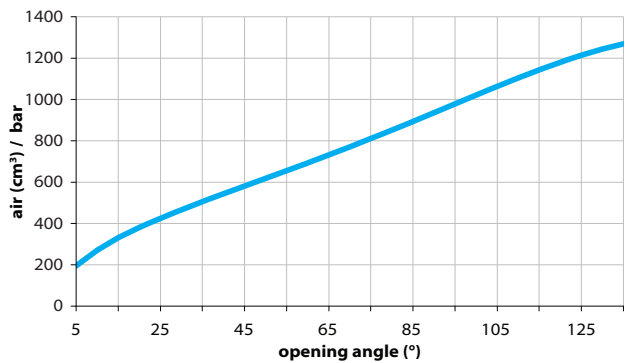
*TOLERANCE BETWEEN DOWELS ± 0,02 BETWEEN SCREW HOLES ± 0,1
 **AREA TO ACCESS ANGLE ADJUSTMENT
 ***DIMENSIONS TO BE RESPECTED IN CASE OTHER MANUAL LEVERS ARE USED

Maximum Applicable Load

Pressure: 5 bar - 90° cycle time (Open - Close)



Air Consumption per Cycle



Sensors



Electronic (optical)

DF-K PNP M12
DF-J NPN M12
DF-Y PNP M12 White LED



Pneumatic

DF-UPNW80

Accessories



Handlever

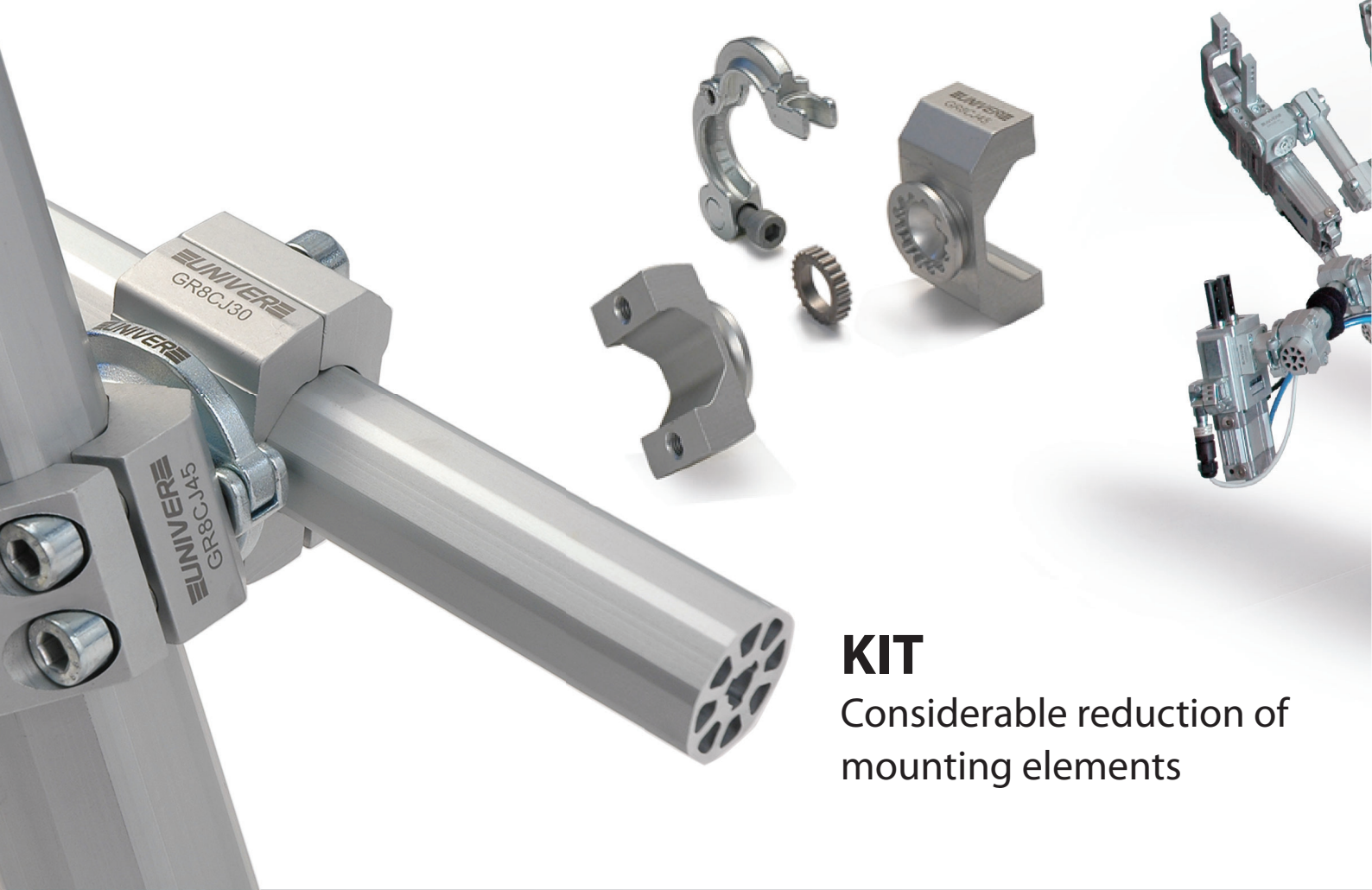
UBF2580



Self holding system

UBK46P30N For blade arms
UBK46P30ND For wishbone arms

GR8 MODULAR TOOLING SYSTEM

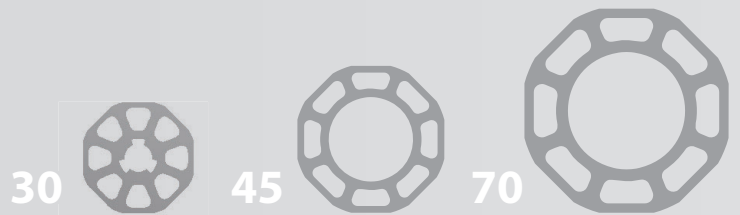


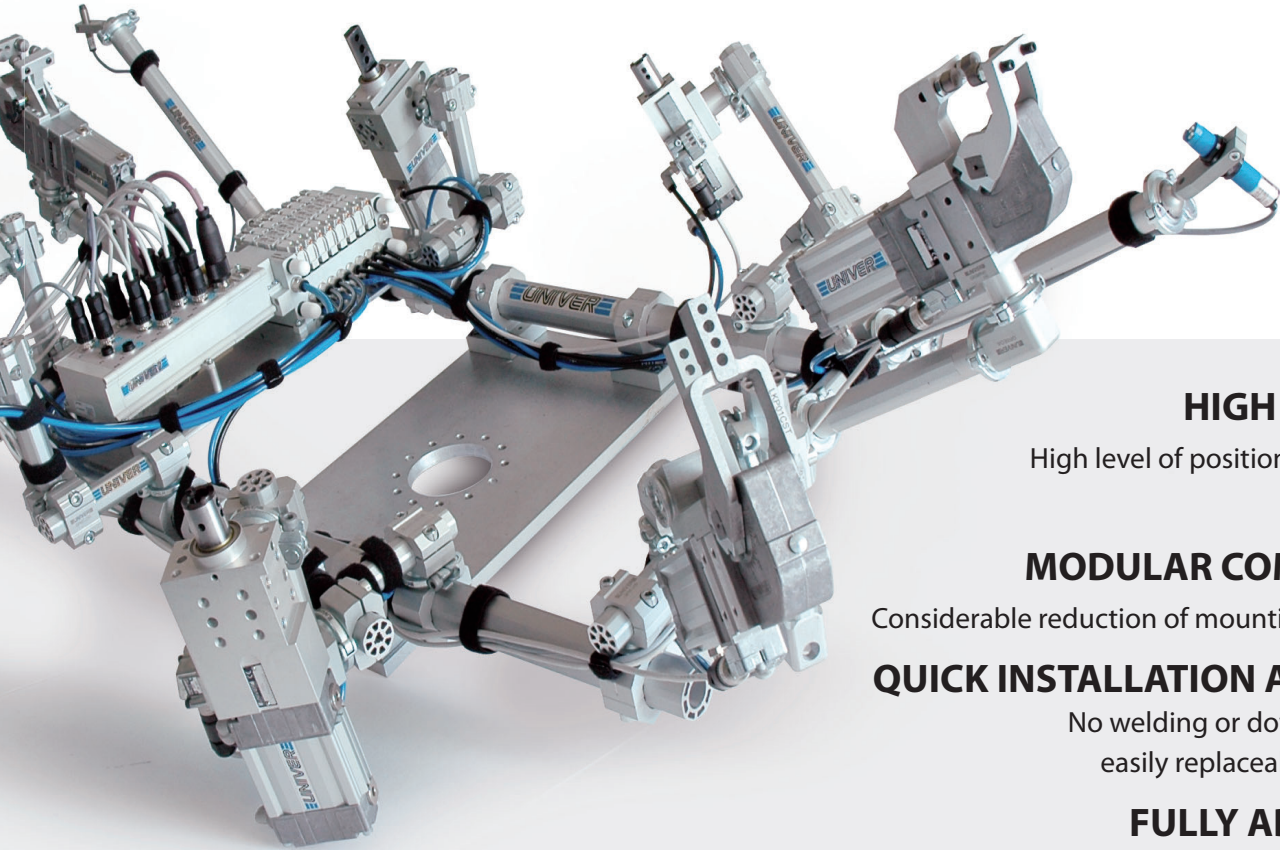
KIT

Considerable reduction of mounting elements

Ø 30 - 45 - 70 mm booms

Maximum stiffness and minimum weight





HIGH PRECISION

High level of positional repeatability;
low deflection

MODULAR COMPONENTS

Considerable reduction of mounting components

QUICK INSTALLATION AND SET UP

No welding or doweling required,
easily replaceable components

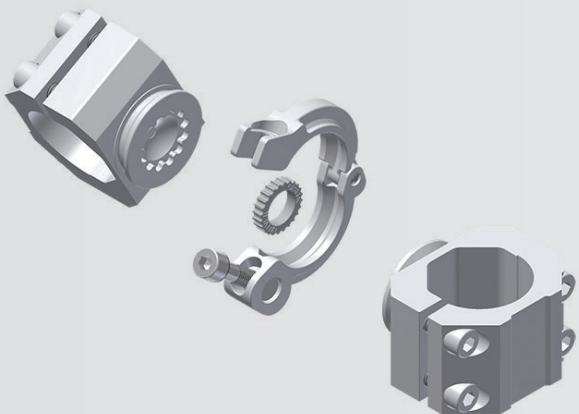
FULLY ADJUSTABLE

Unlimited orientation in space and free configuration

UNIVER Original

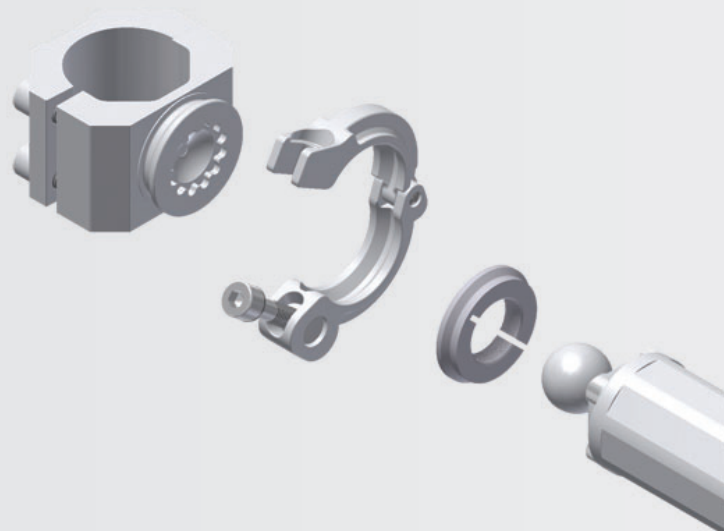
Locking ring

Precise and efficient system to guarantee a high level of positional accuracy



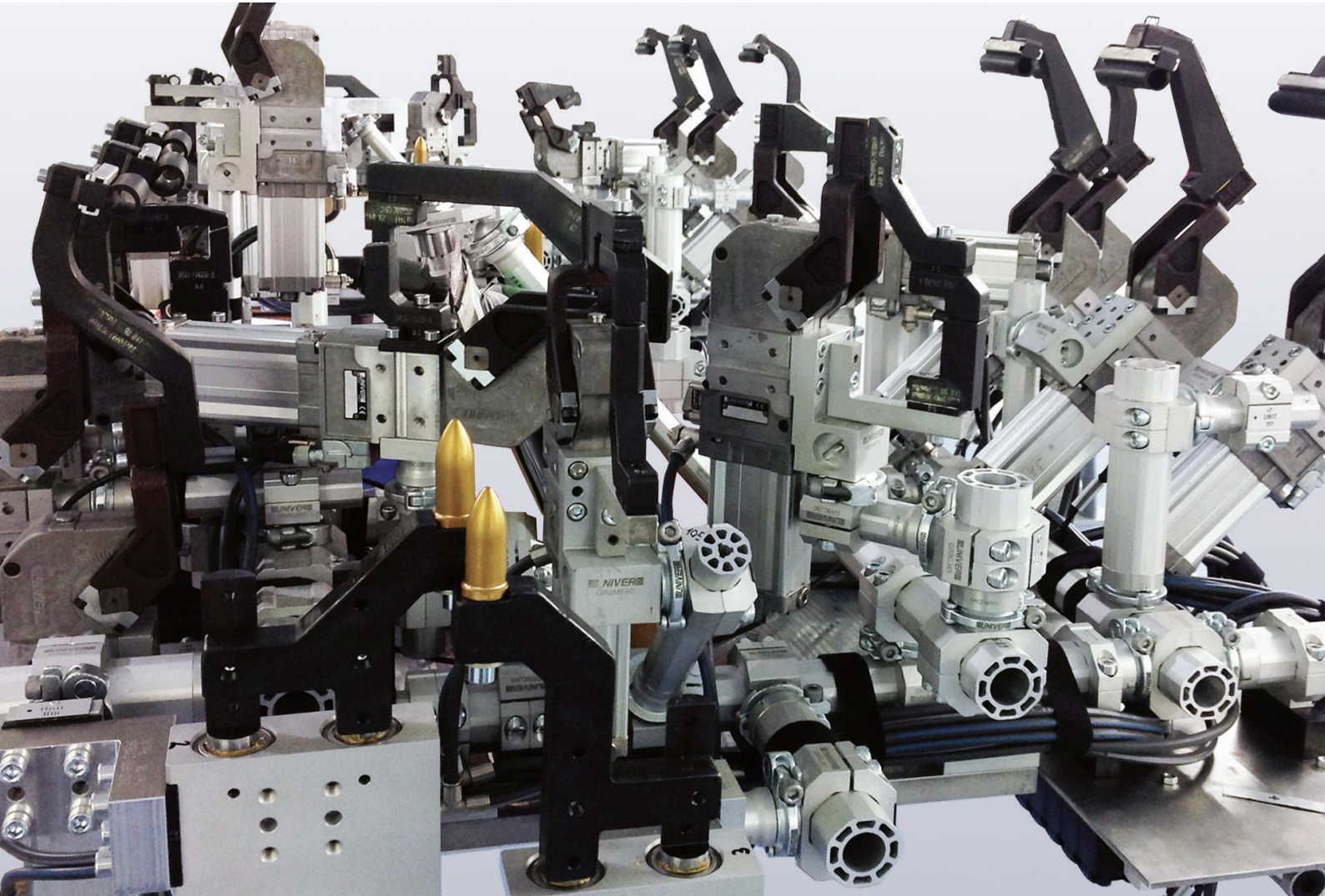
Ball mounting

Unlimited swivel rotation

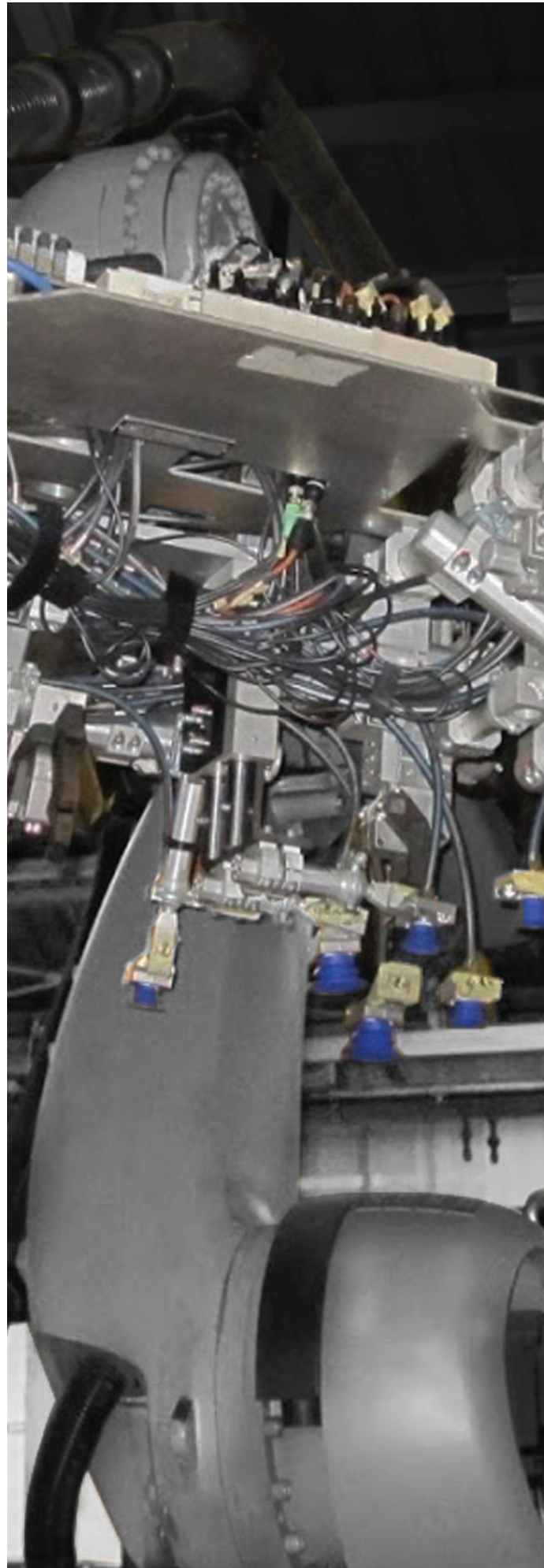
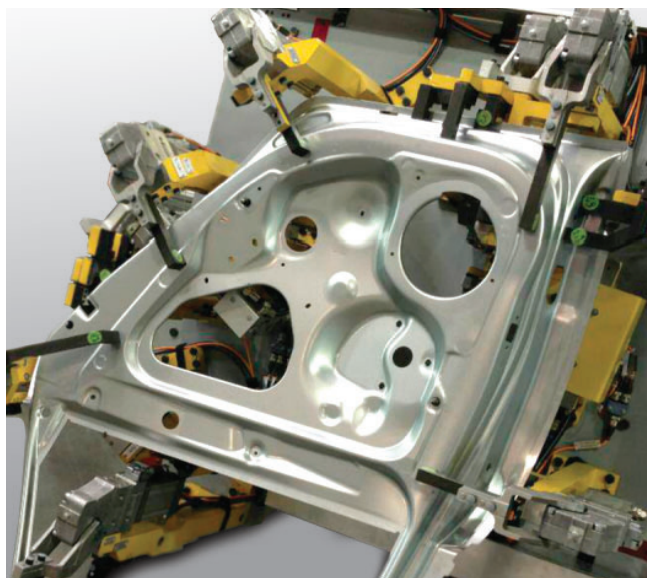
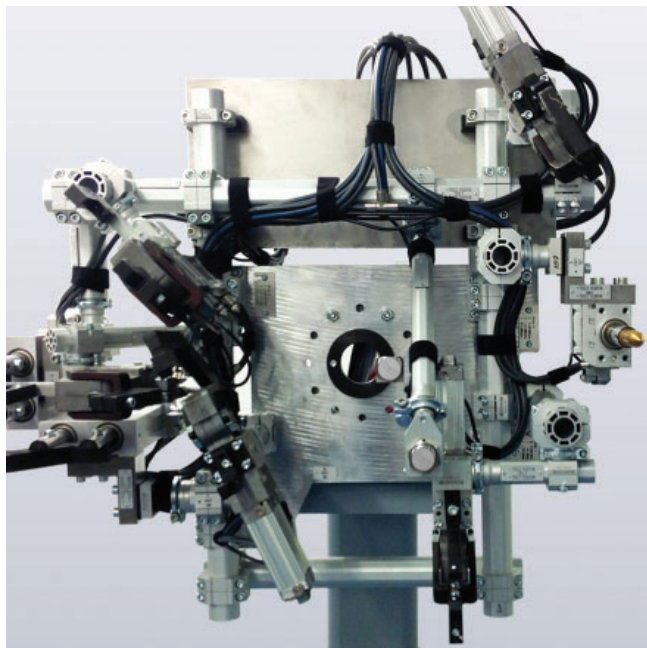
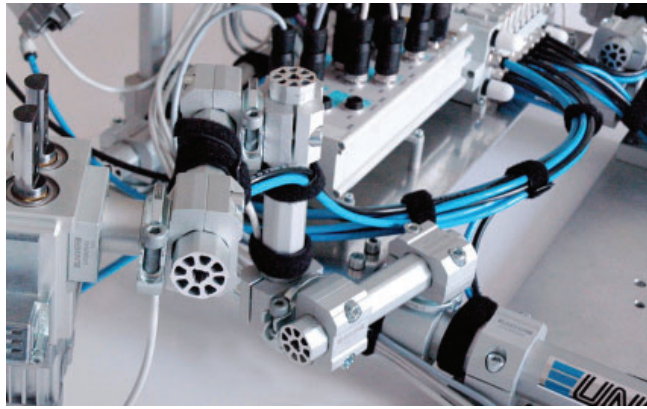


GR8 MODULAR TOOLING SYSTEM

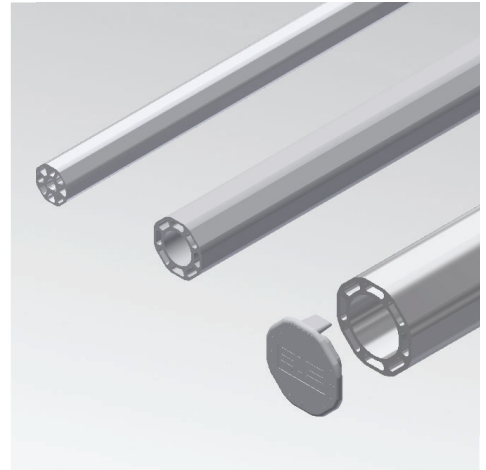
Application examples



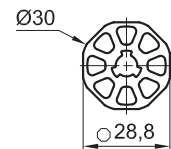
Unlimited and complex configurations
Weight-optimized standard components and brackets
Quick installation and adjustment
Modular components



Octagonal Booms

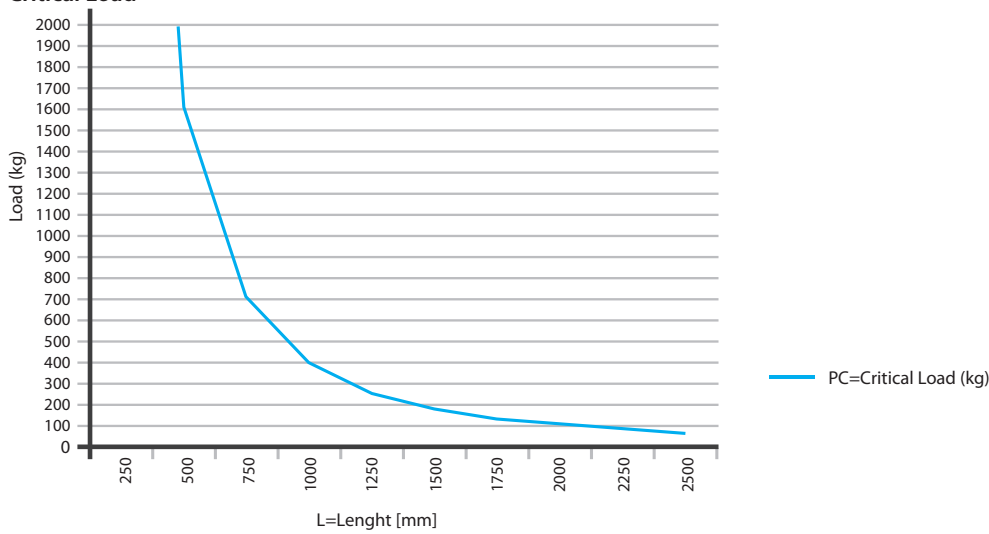


GR8B30S6000 Ø30 mm Octagonal boom

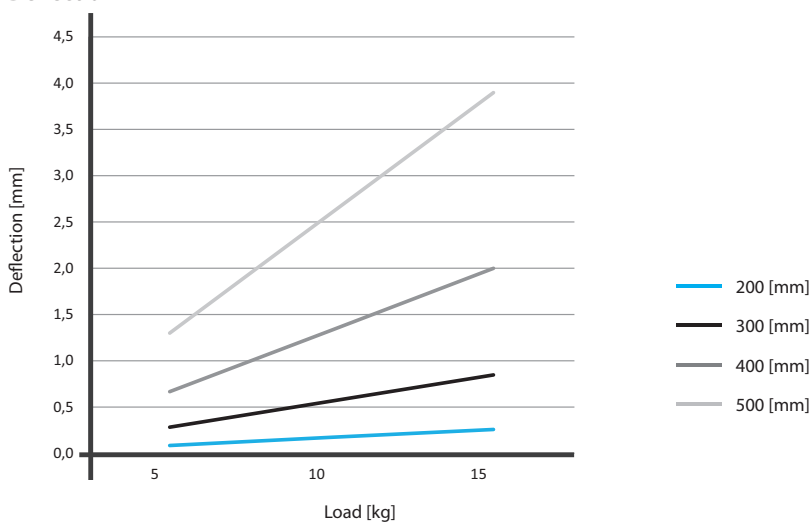


Material:	Aluminium
Weight Ø 30 mm:	1,04 Kg/m
Moment of inertia:	$I_x = 2,326 \text{ cm}^4$ $I_y = 2,326 \text{ cm}^4$
Section modulus:	$W_x = 1,615 \text{ cm}^3$ $W_y = 1,615 \text{ cm}^3$

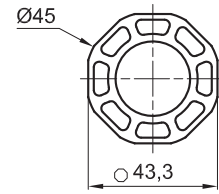
Critical Load



Deflection

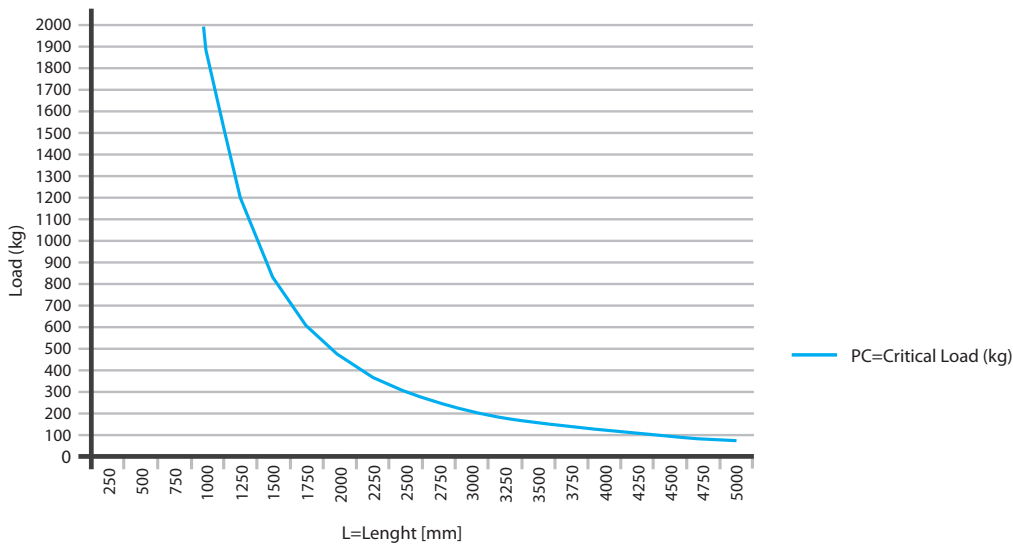


GR8B456000 Ø45 mm Octagonal boom

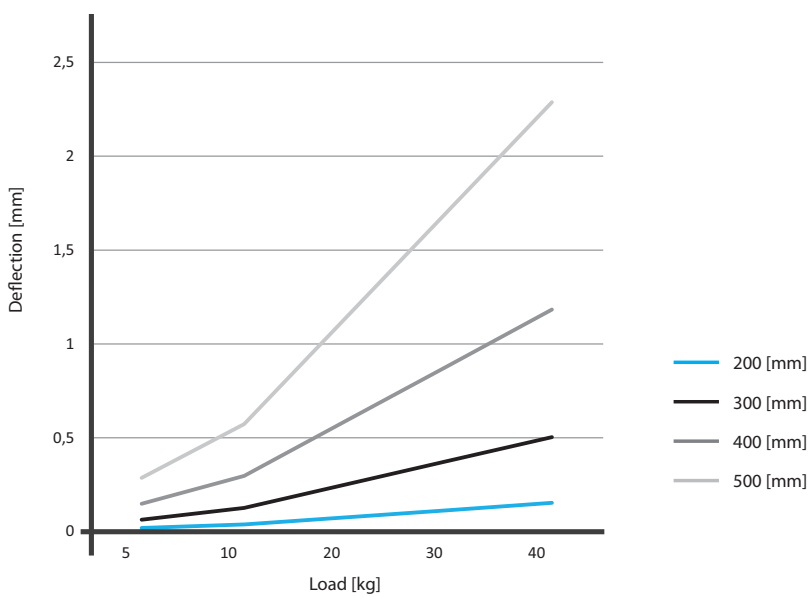


Material:	Aluminium	
Weight Ø 45 mm:	1,74 Kg/m	
Moment of inertia:	$I_x = 10,713 \text{ cm}^4$	$I_y = 10,713 \text{ cm}^4$
Section modulus:	$W_x = 4,926 \text{ cm}^3$	$W_y = 4,926 \text{ cm}^3$

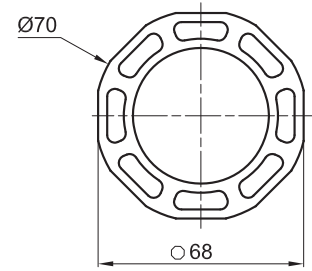
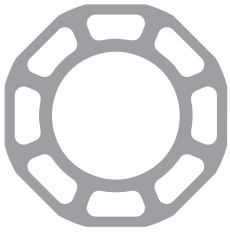
Critical Load



Deflection

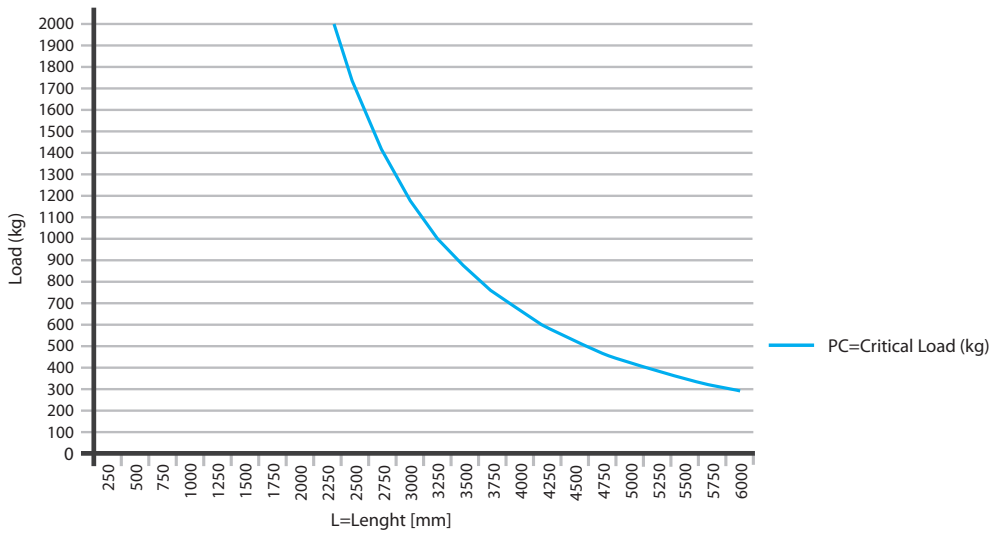


GR8B706000 Ø70 mm Octagonal boom

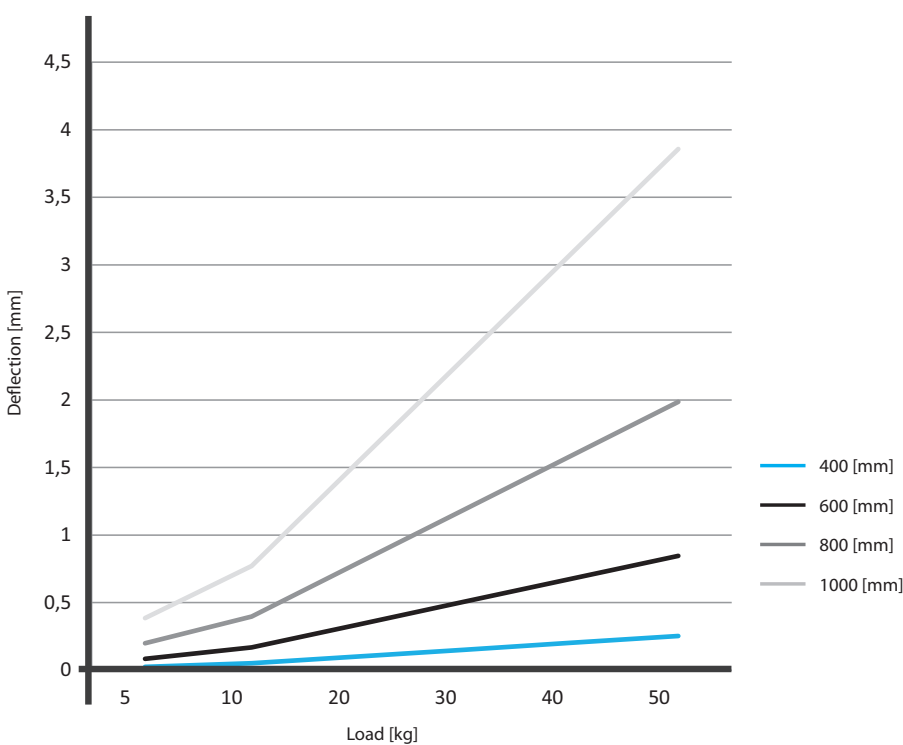


Material:	Aluminium
Weight Ø 70 mm:	3,77 Kg/m
Moment of inertia:	$I_x = 60,861 \text{ cm}^4$ $I_y = 60,861 \text{ cm}^4$
Section modulus:	$W_x = 17,9 \text{ cm}^3$ $W_y = 17,9 \text{ cm}^3$

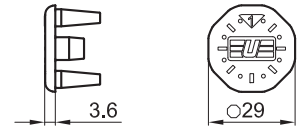
Critical Load



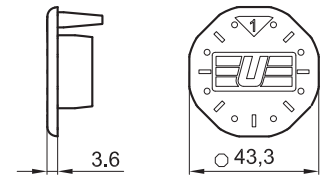
Deflection



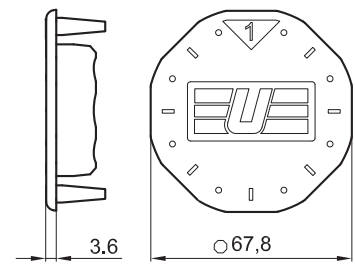
GR8C30 Ø30 mm Octagonal boom end cap



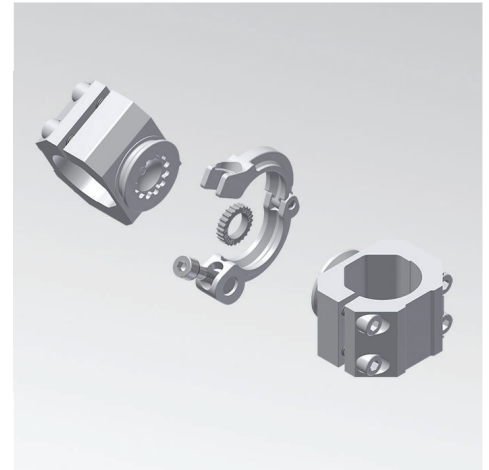
GR8C45 Ø45 mm Octagonal boom end cap



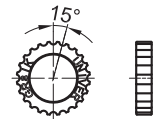
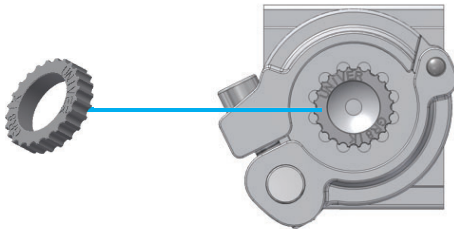
GR8C70 Ø70 mm Octagonal boom end cap



Interlocking key insert and locking ring

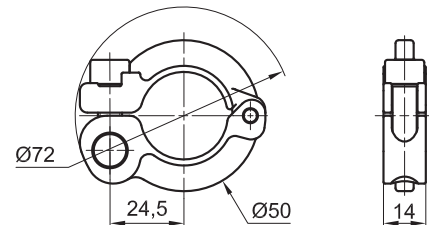


GR8IK Interlocking key insert



Material: Steel
Weight: 0,09 kg

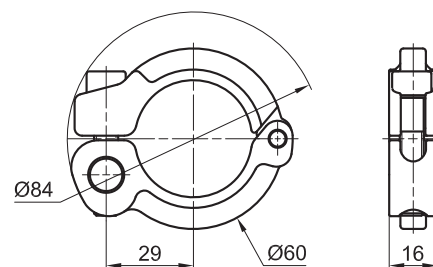
GR8LH Locking ring



	Tightening torque	Screw
GR8LH	28 Nm	M8 x 35

Material: Steel
Weight: 0,118 kg

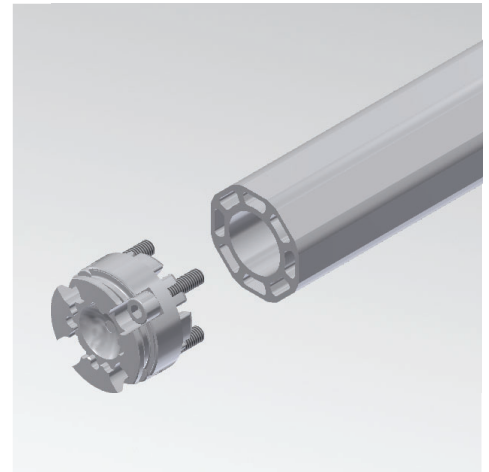
GR8LHD Locking ring



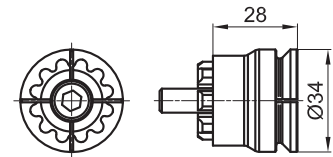
	Tightening torque	Screw
GR8LHD	28 Nm	M8 x 40

Material: Steel
Weight: 0,178 kg

Interlocking end

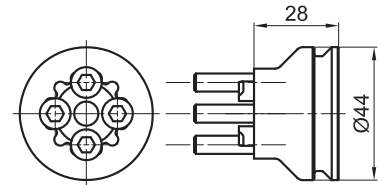


GR8SCI30C Interlocking end 45 for ball mounting



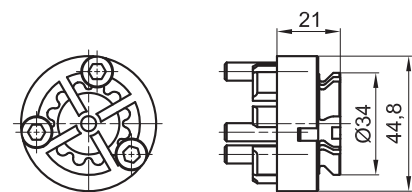
	Tightening torque	Screw
GR8SCI30C	10 Nm	M8x30
Material:	Aluminium	
Weight:	0,068 kg	
Max static load:	80 Nm	

GR8SCI30D Interlocking end 30 D



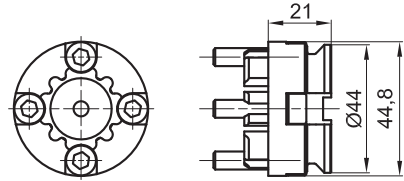
	Tightening torque	Screw
GR8SCI30D	10 Nm	M6x35
Material:	Aluminium	
Weight:	0,105 kg	
Max static load:	200 Nm	

GR8ECI45C Interlocking end 45 for ball mounting



	Tightening torque	Screw
GR8ECI45C	10 Nm	M6x25
Material:	Aluminium	
Weight:	0,092 kg	
Max static load:	80 Nm	

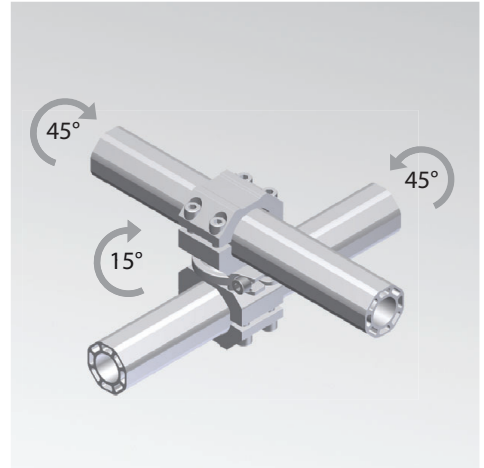
GR8ECI45D Interlocking end 45 D



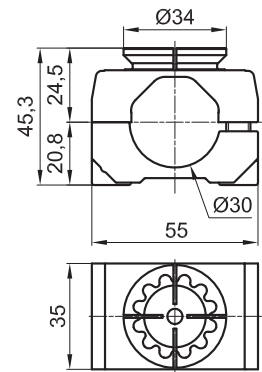
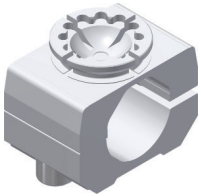
	Tightening torque	Screw
GR8ECI45D	10 Nm	M6x25

Material:	Aluminium
Weight:	0,104 kg
Max static load:	200 Nm

Cross joints

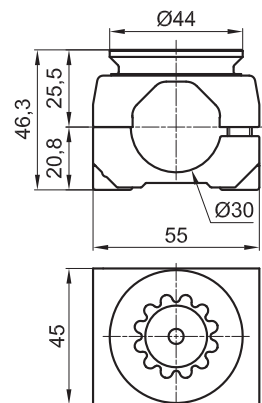
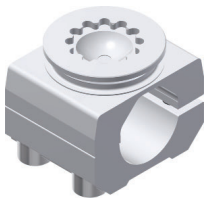


GR8CJ30C Cross joint 30 for ball mounting



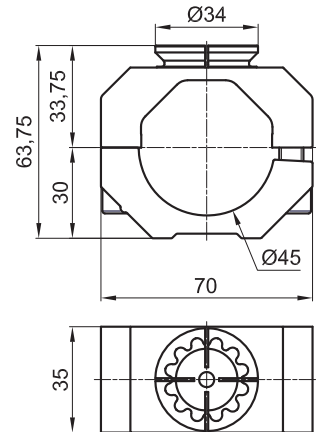
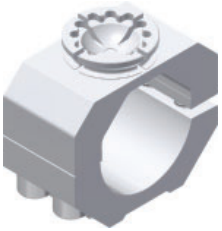
	Tightening torque	Screw
GR8CJ30C	25 Nm	M8x25
Material:	Aluminium	
Weight:	0,145 kg	
Max static load:	80 Nm	

GR8CJ30D Cross joint 30 D



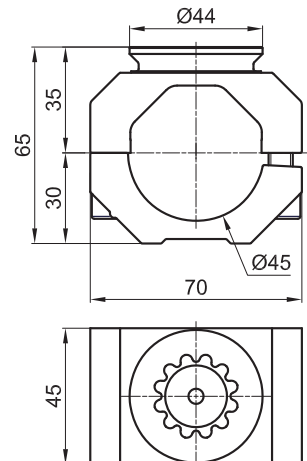
	Tightening torque	Screw
GR8CJ30D	25 Nm	M8x25
Material:	Aluminium	
Weight:	0,21 kg	
Max static load:	200 Nm	

GR8CJ45C Cross joint 45 for ball mounting



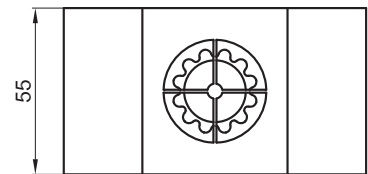
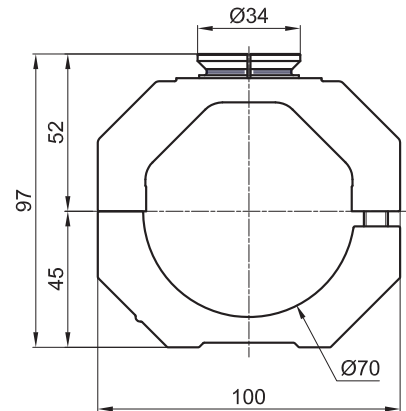
	Tightening torque	Screw
GR8CJ45C	25 Nm	M8x25
Material:	Aluminium	
Weight:	0,230 kg	
Max static load:	80 Nm	

GR8CJ45D Cross joint 45



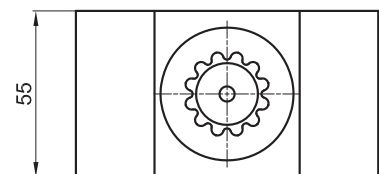
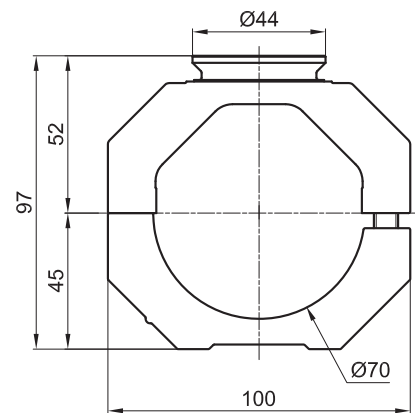
	Tightening torque	Screw
GR8CJ45D	25 Nm	M8x25
Material:	Aluminium	
Weight:	0,3 kg	
Max static load:	200 Nm	

GR8CJ70C Cross joint 70 for ball mounting



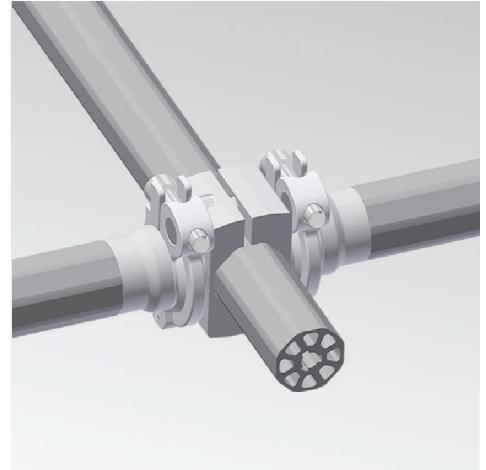
	Tightening torque	Screw
GR8CJ70C	25 Nm	M8x25
Material:	Aluminium	
Weight:	0,59 kg	
Max static load:	80 Nm	

GR8CJ70D Cross joint 70 D

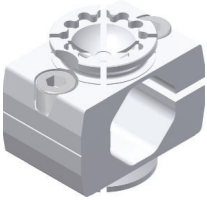


	Tightening torque	Screw
GR8CJ70D	25 Nm	M8x25
Material:	Aluminium	
Weight:	0,62 kg	
Max static load:	200 Nm	

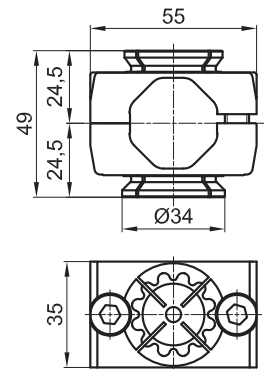
Double cross joint



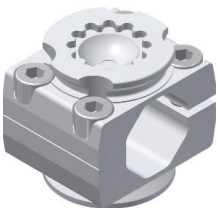
GR8CJD30C Double cross joint 30 for ball mounting



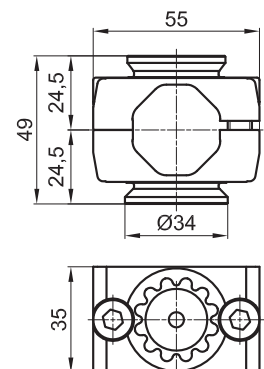
	Tightening torque	Screw
GR8CJD30C	25 Nm	M8x20
Material:	Aluminium	
Weight:	0,140 kg	
Max static load:	80 Nm	



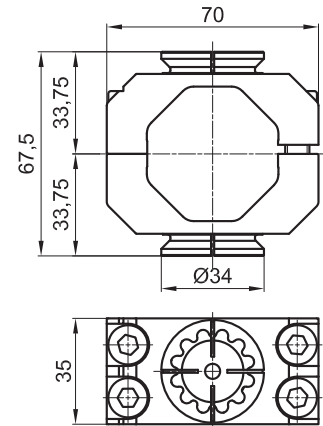
GR8CJD30D Double cross joint 45 for ball mounting



	Tightening torque	Screw
GR8CJD30D	25 Nm	M8x20
Material:	Aluminium	
Weight:	0,22 kg	
Max static load:	200 Nm	



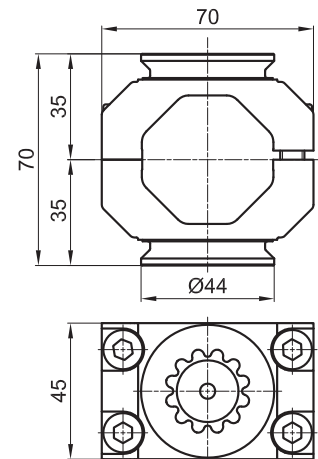
GR8CJD45C Double cross joint 45 for ball mounting



	Tightening torque	Screw
GR8CJD45C	25 Nm	M8x25

Material:	Aluminium
Weight:	0,22 kg
Max static load:	80 Nm

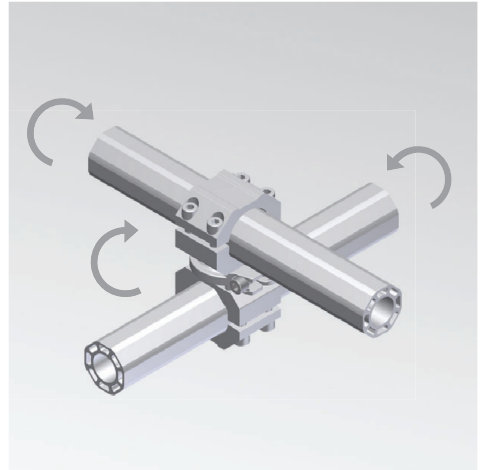
GR8CJD45D Double cross joint 45 D



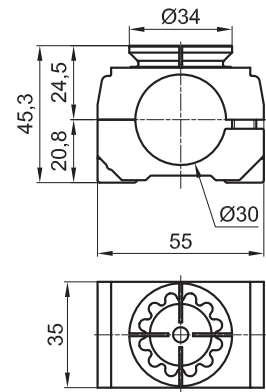
	Tightening torque	Screw
GR8CJD45D	25 Nm	M8x25

Material:	Aluminium
Weight:	0,32 kg
Max static load:	200 Nm

Round joints

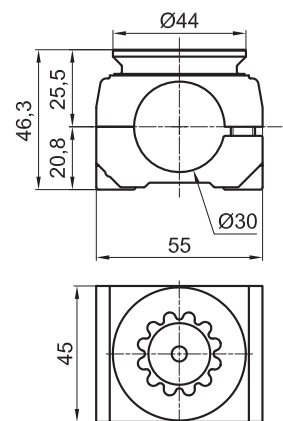
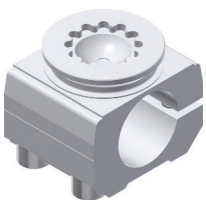


GR8RJ30C Round joint 30 for ball mounting



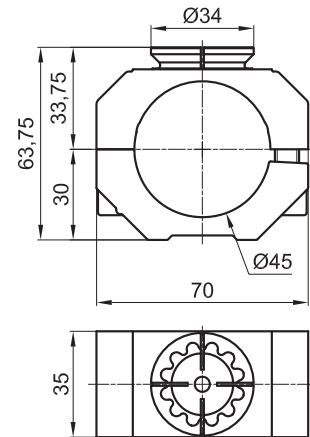
	Tightening torque	Screw
GR8RJ30C	25 Nm	M8x25
Material:	Aluminium EN AW 6005 T6	
Weight:	0,144 kg	
Max static load:	80 Nm	

GR8RJ30D Round joint 30 D



	Tightening torque	Screw
GR8RJ30D	25 Nm	M8x25
Material:	Aluminium	
Weight:	0,21 kg	
Max static load:	200 Nm	

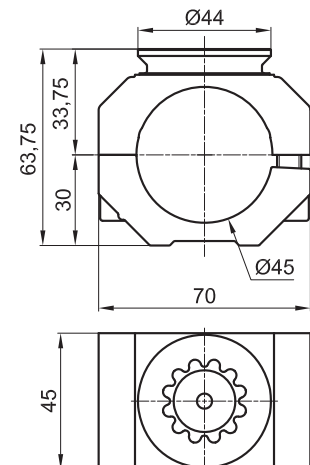
GR8RJ45C Round joint 45 for ball mounting



	Tightening torque	Screw
GR8RJ45C	25 Nm	M8x25

Material:	Aluminium
Weight:	0,22 kg
Max static load:	80 Nm

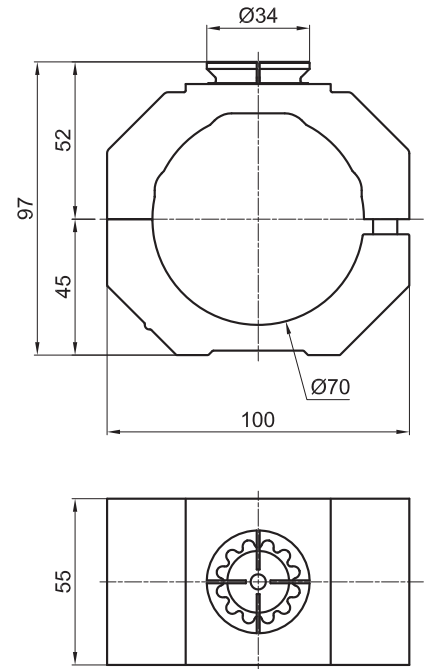
GR8RJ45D Round joint 45 D



	Tightening torque	Screw
GR8RJ45D	25 Nm	M8x25

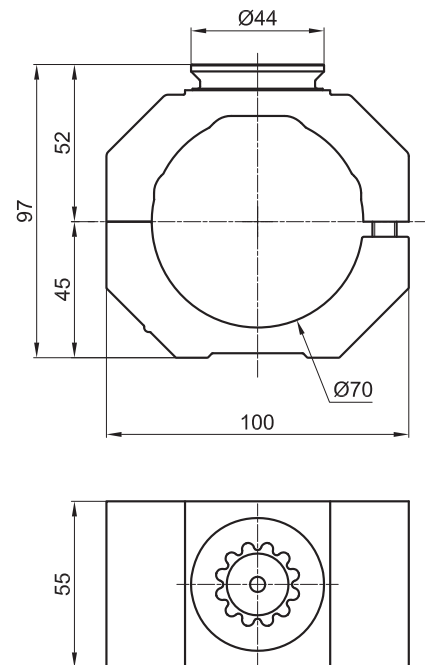
Material:	Aluminium
Weight:	0,3 kg
Max static load:	200 Nm

GR8RJ70C Round joint 70 for ball mounting



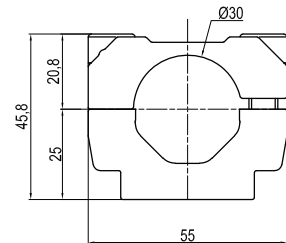
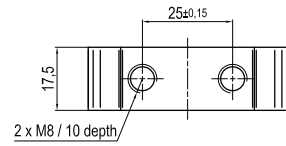
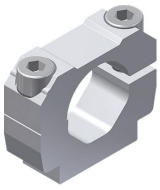
	Tightening torque	Screw
GR8RJ70C	25 Nm	M8x25
Material:	Aluminium	
Weight:	0,59 kg	
Max static load:	80 Nm	

GR8RJ70D Round joint 70 D



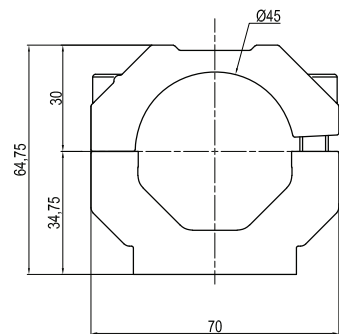
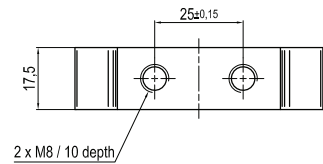
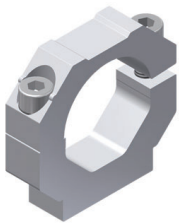
	Tightening torque	Screw
GR8RJ70D	25 Nm	M8x25
Material:	Aluminium	
Weight:	0,6 kg	
Max static load:	200 Nm	

GR8BC30 30 mm base connector



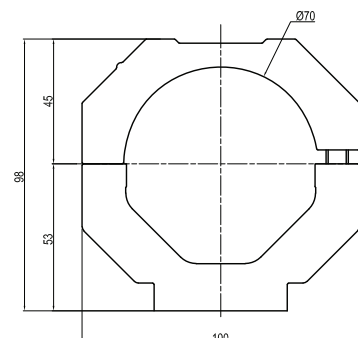
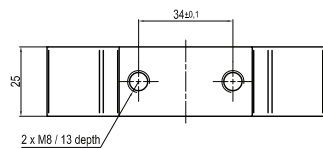
	Tightening torque	Screw
GR8BC30	25 Nm	M8x25
Material:	Aluminium	
Weight:	0,1 kg	

GR8BC45 45 mm base connector



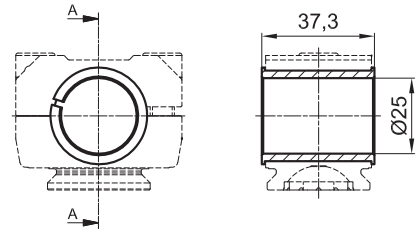
	Tightening torque	Screw
GR8BC45	25 Nm	M8x25
Material:	Aluminium	
Weight:	0,127 kg	

GR8BC70 70 mm base connector



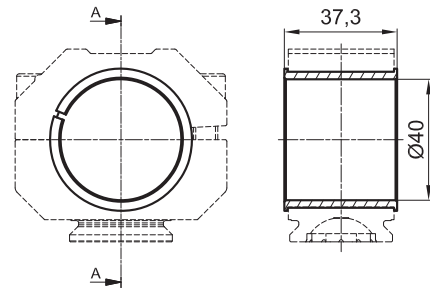
	Tightening torque	Screw
GR8R30D	25 Nm	M8x25
Material:	Aluminium	
Weight:	0,3 kg	

GR8R3025 Adaptor octagon 30 to round 45



Material:	Steel
Weight:	0,063 kg

GR8R4540 Adaptor octagon 45 to round 40



Material:	Steel
Weight:	0,098 kg