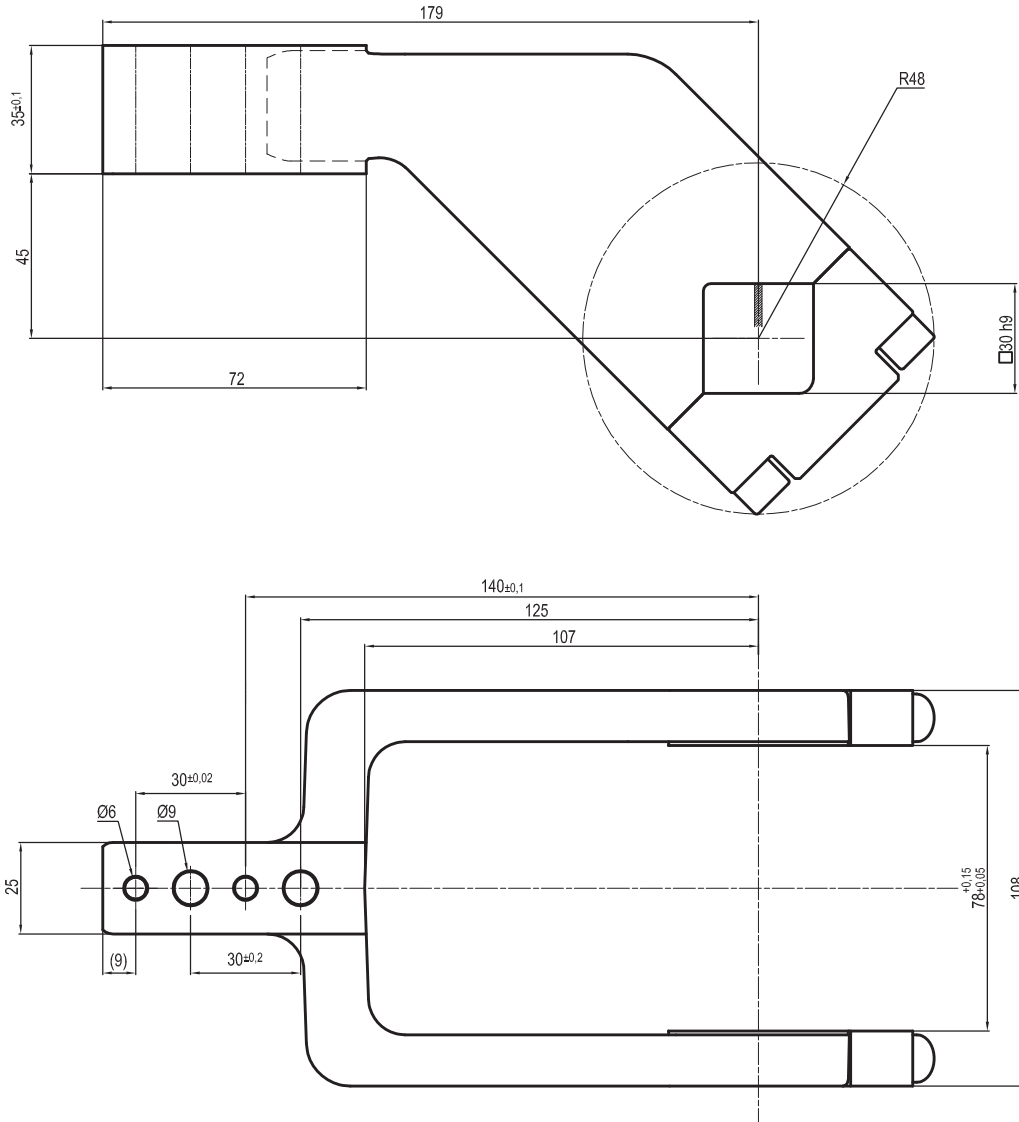


UKP80E

□ 30 mm - offset 45 mm



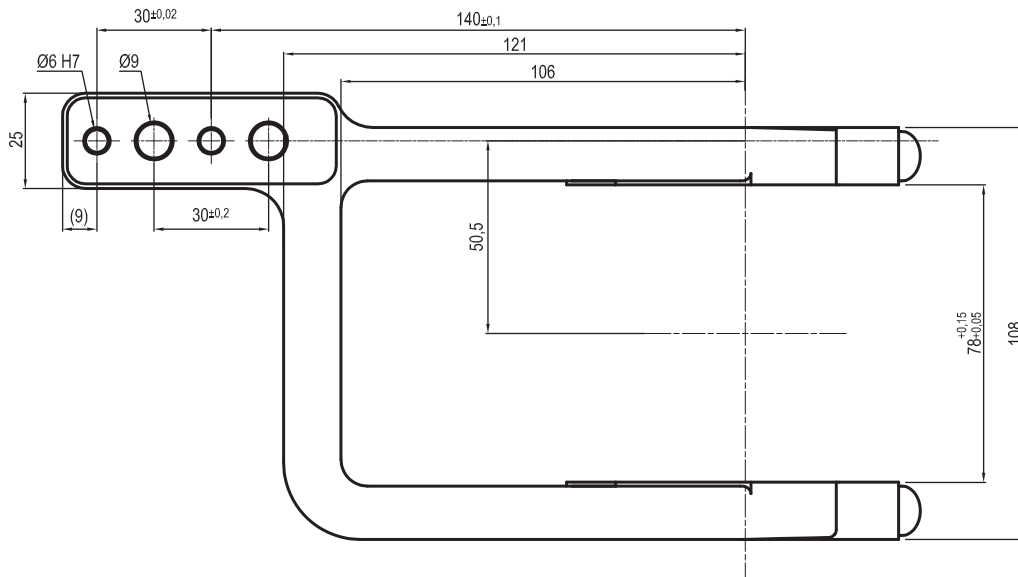
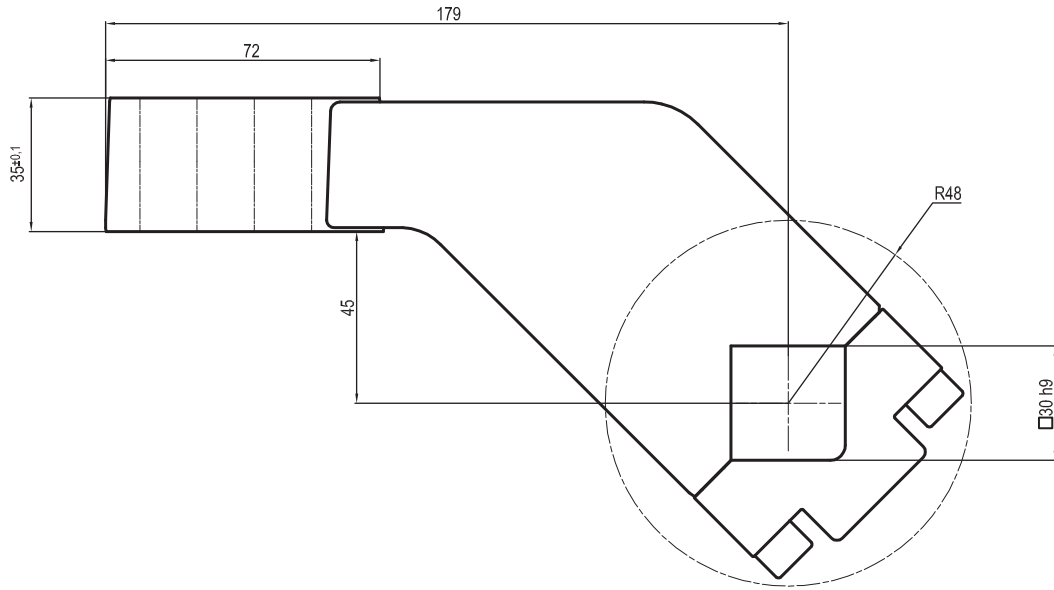
Clamp size	Material	Weight
80 mm	Aluminium	0,6 Kg

THE CLAMPING ARM INCLUDES THE NECESSARY SCREWS

Subject to technical modifications without notice

UKP80F

□ 30 mm - offset 45 mm



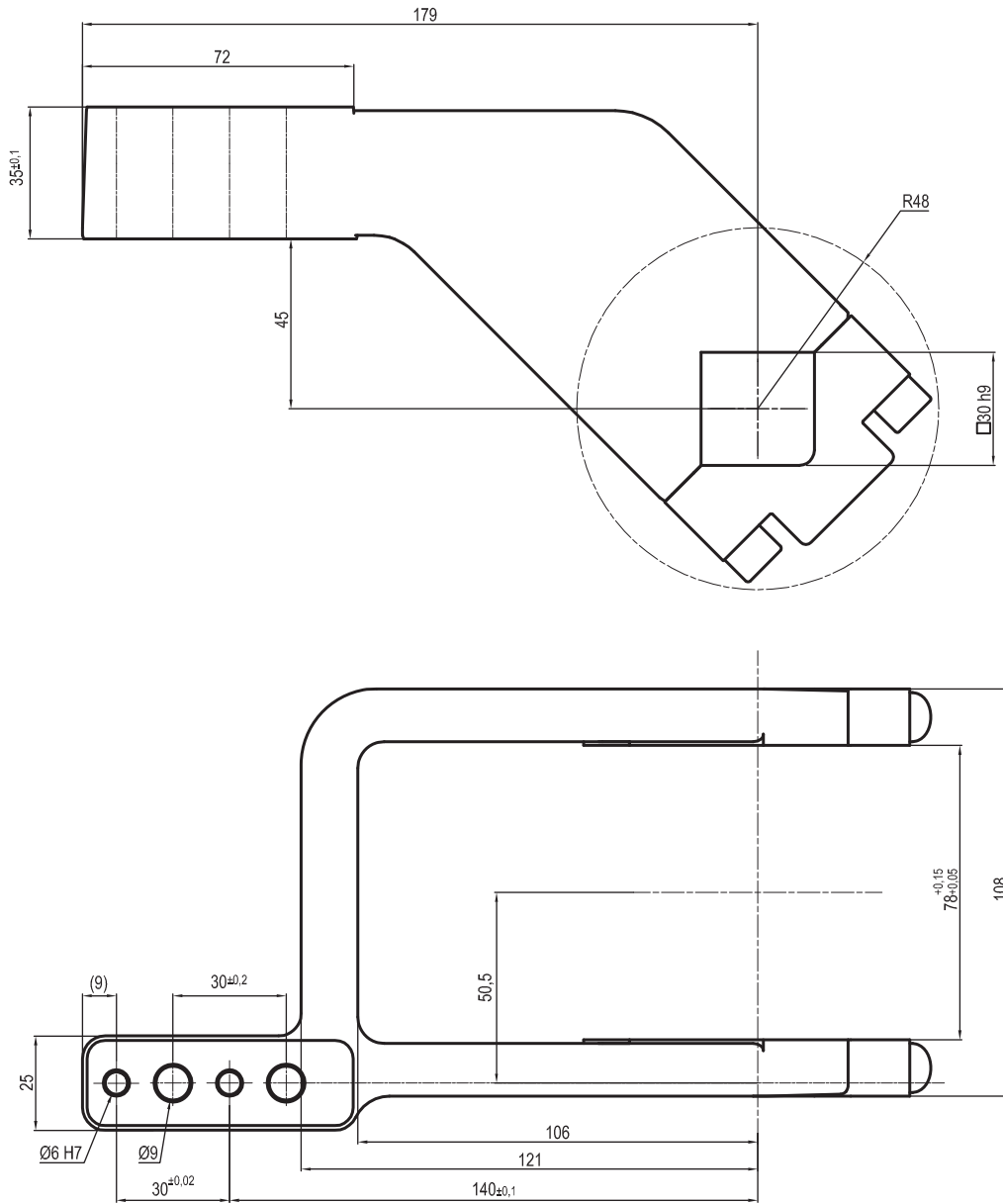
Clamp size	Material	Weight
80 mm	Aluminium	0,6 Kg

THE CLAMPING ARM INCLUDES THE NECESSARY SCREWS

Subject to technical modifications without notice

UKP80L

□ 30 mm - offset 45 mm



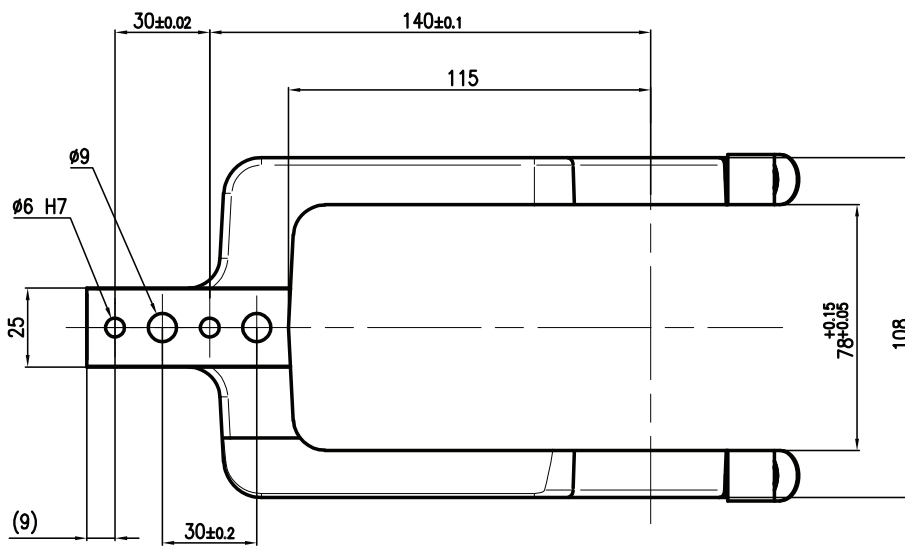
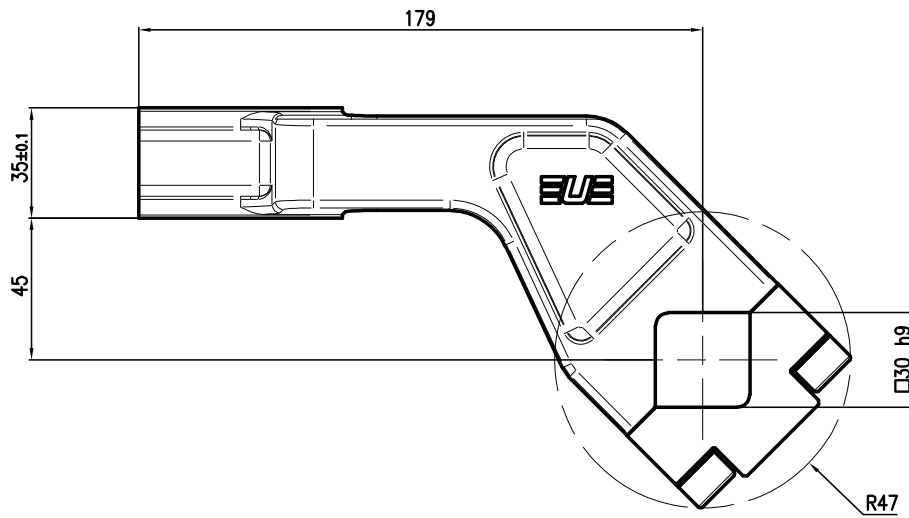
Clamp size	Material	Weight
80 mm	Aluminium	0,6 Kg

THE CLAMPING ARM INCLUDES THE NECESSARY SCREWS

Subject to technical modifications without notice

UKP80ES

□ 30 mm - offset 45 mm



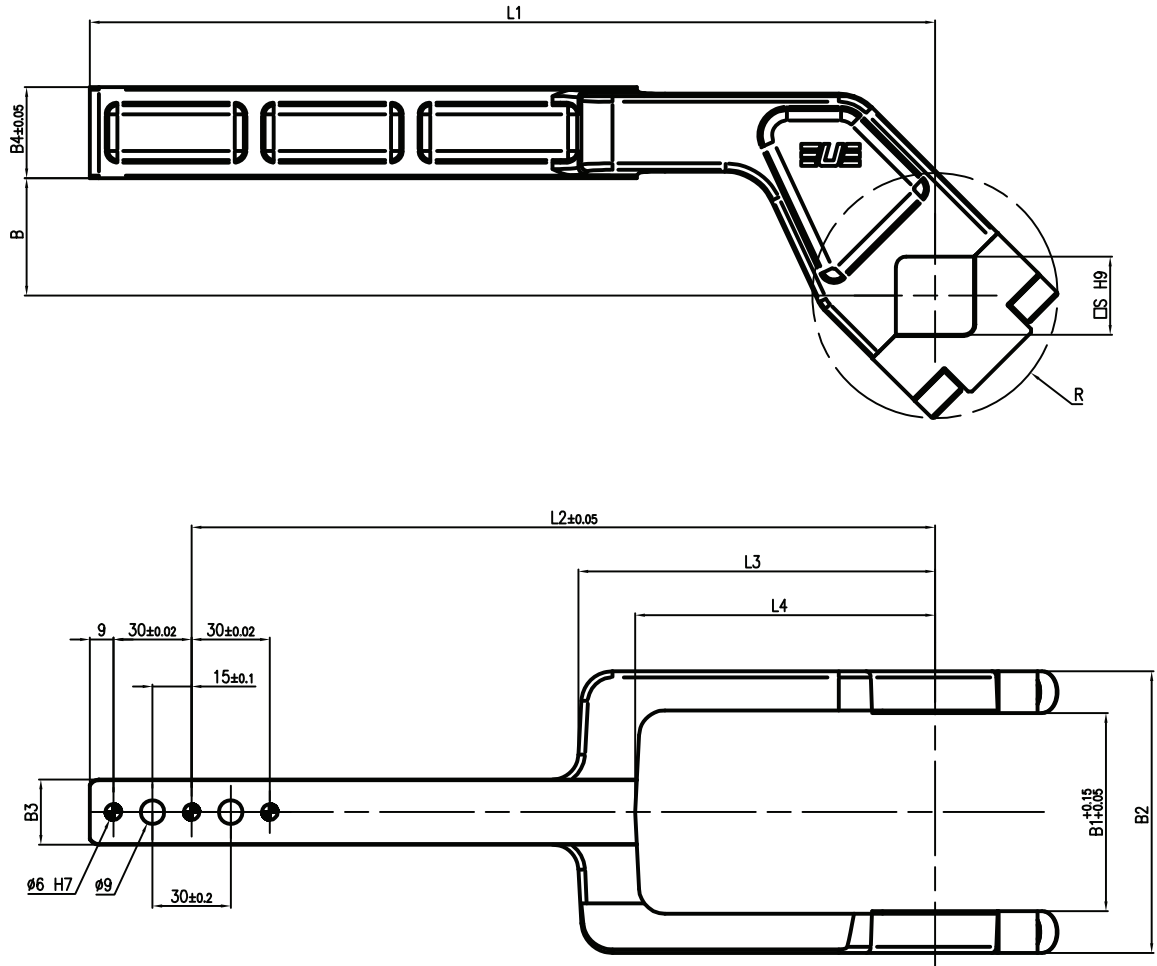
Clamp size	Material	Weight
80 mm	Steel	2,2 Kg

THE CLAMPING ARM INCLUDES THE NECESSARY SCREWS

Subject to technical modifications without notice

LKP010-2701/2702/2703

□ 30 mm - offset 45 mm



Part no.	B	B1	B2	B3	B4	L1	L2	L3	L4	R	S	Material
LKP010-2701	45	76	108	25	35	204	165	135	115	47	30	Steel
LKP010-2702	45	76	108	25	35	264	225	135	115	47	30	Steel
LKP010-2703	45	76	108	25	35	324	285	135	115	47	30	Steel