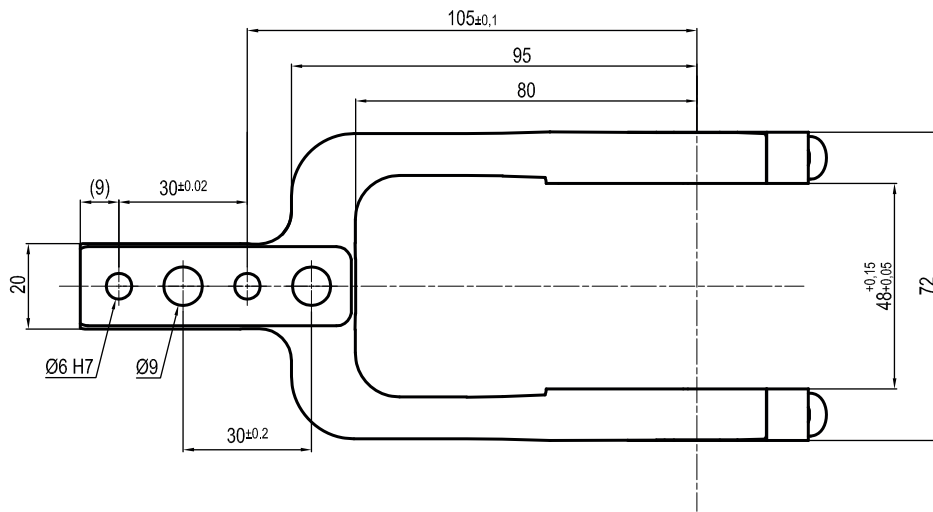
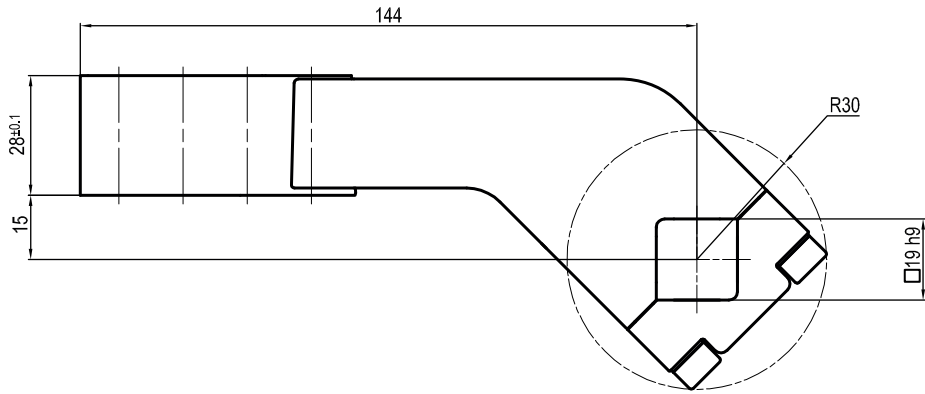


LKP00CL

□ 19 mm - offset 15 mm



Clamp size	Material	Weight
50/63 mm	Aluminium	0,4 Kg

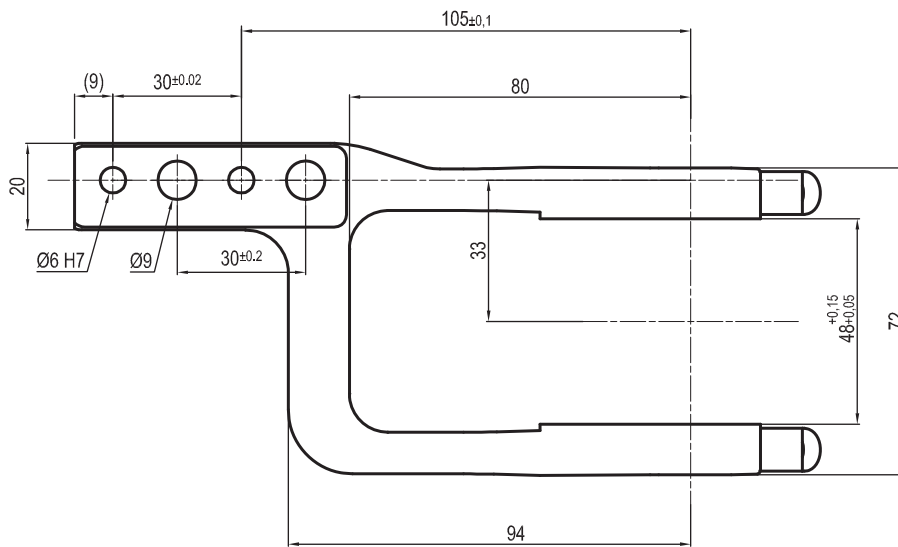
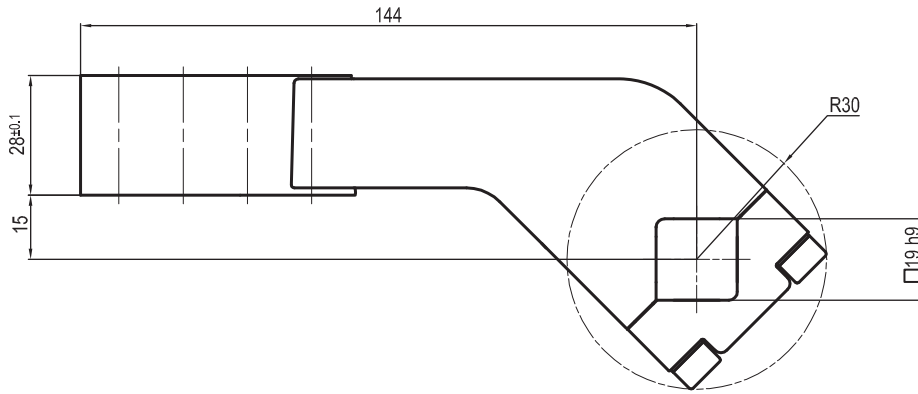
THE CLAMPING ARM INCLUDES THE NECESSARY SCREWS

Subject to technical modifications without notice

Rev. 01 09.02.16

LKP00DL

□ 19 mm - offset 15 mm



Clamp size	Material	Weight
50/63 mm	Aluminium	0,4 Kg

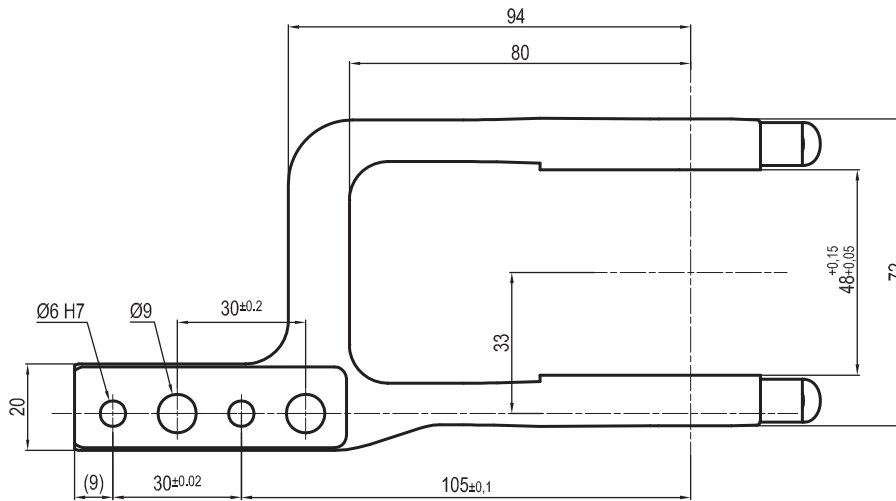
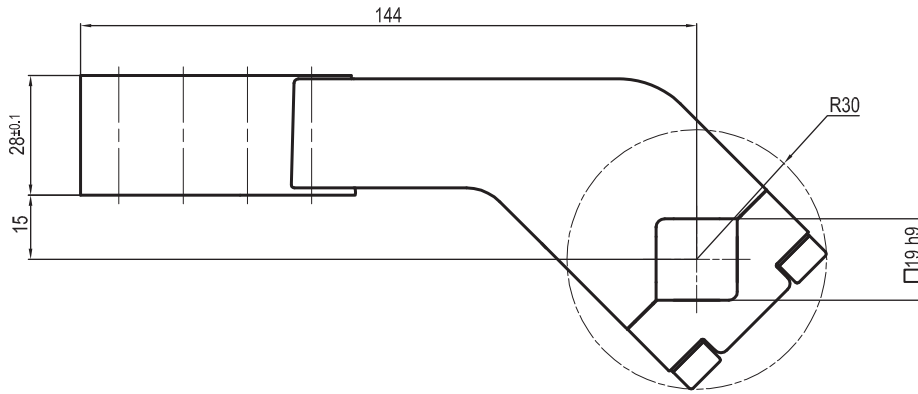
THE CLAMPING ARM INCLUDES THE NECESSARY SCREWS

Subject to technical modifications without notice

Rev. 02 14.07.16

LKP00SL

□ 19 mm - offset 15 mm



Clamp size	Material	Weight
50/63 mm	Aluminium	0,4 Kg

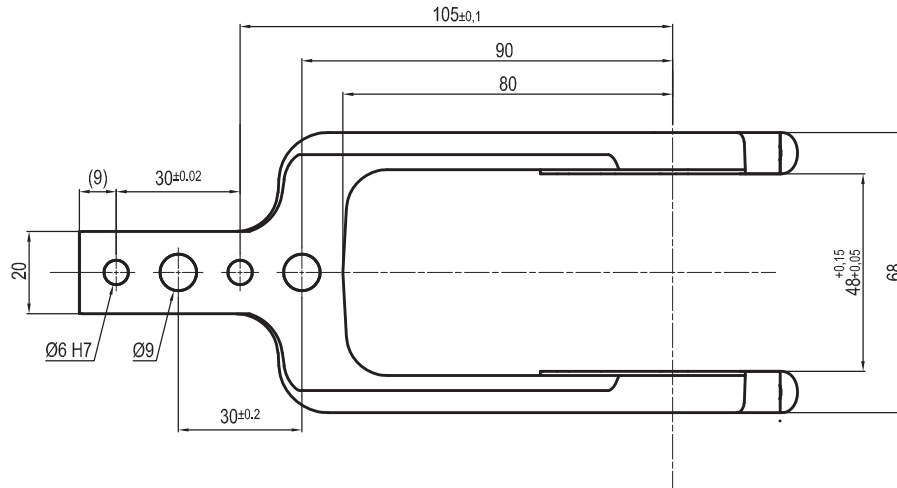
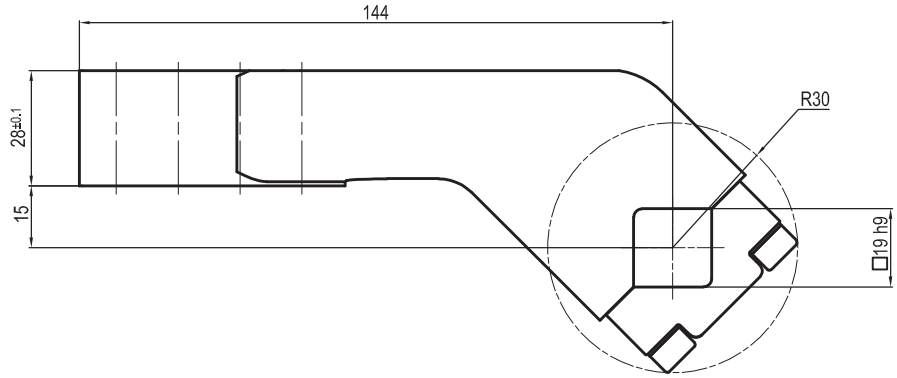
THE CLAMPING ARM INCLUDES THE NECESSARY SCREWS

Subject to technical modifications without notice

Rev. 02 15.07.16

UP210151441G

□ 19 mm - offset 15 mm



Clamp size	Material	Weight
50/63 mm	Steel	0,8 Kg

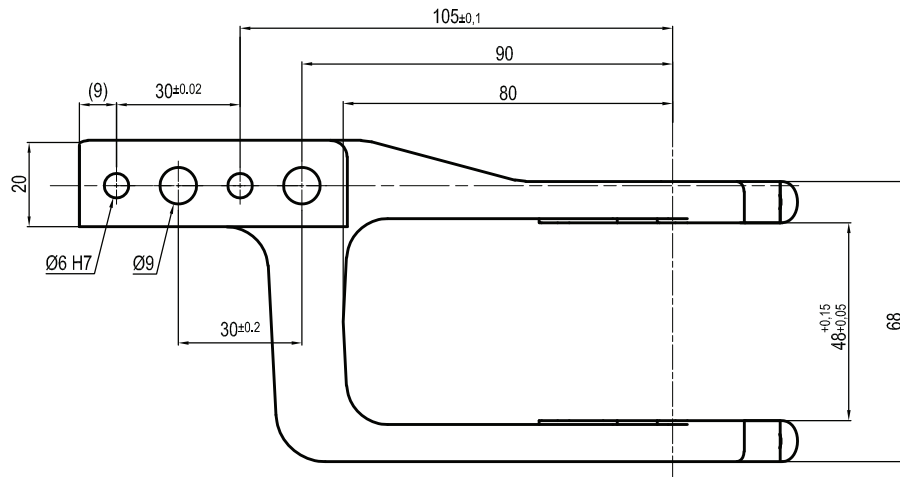
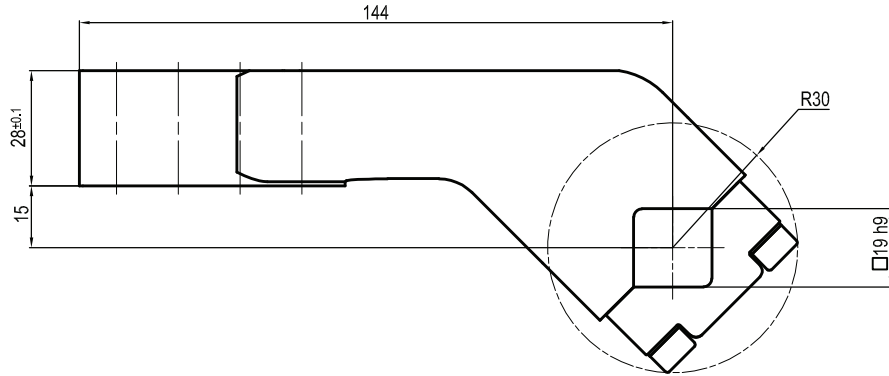
THE CLAMPING ARM INCLUDES THE NECESSARY SCREWS

Subject to technical modifications without notice

Rev. 01 15.01.16

UP210151442G

□ 19 mm - offset 15 mm



Clamp size	Material	Weight
50/63 mm	Steel	0,8 Kg

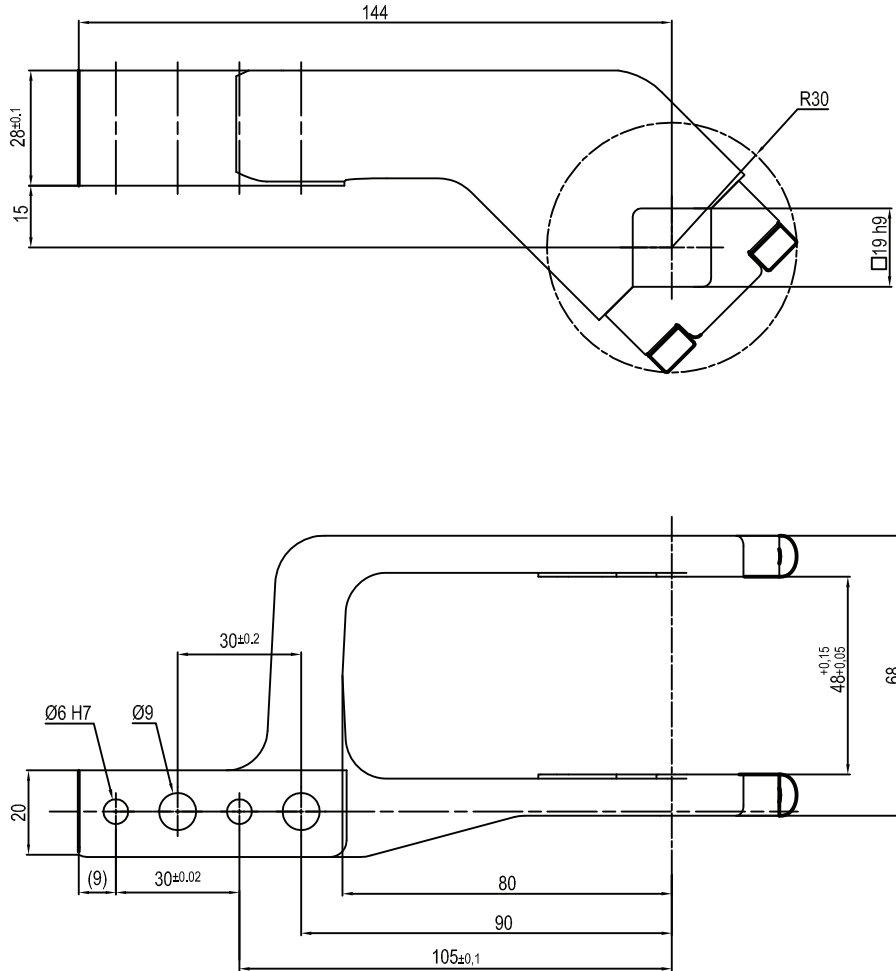
THE CLAMPING ARM INCLUDES THE NECESSARY SCREWS

Subject to technical modifications without notice

Rev. 01 15.01.16

UP210151443G

□ 19 mm - offset 15 mm



Clamp size	Material	Weight
50/63 mm	Steel	0,8 Kg

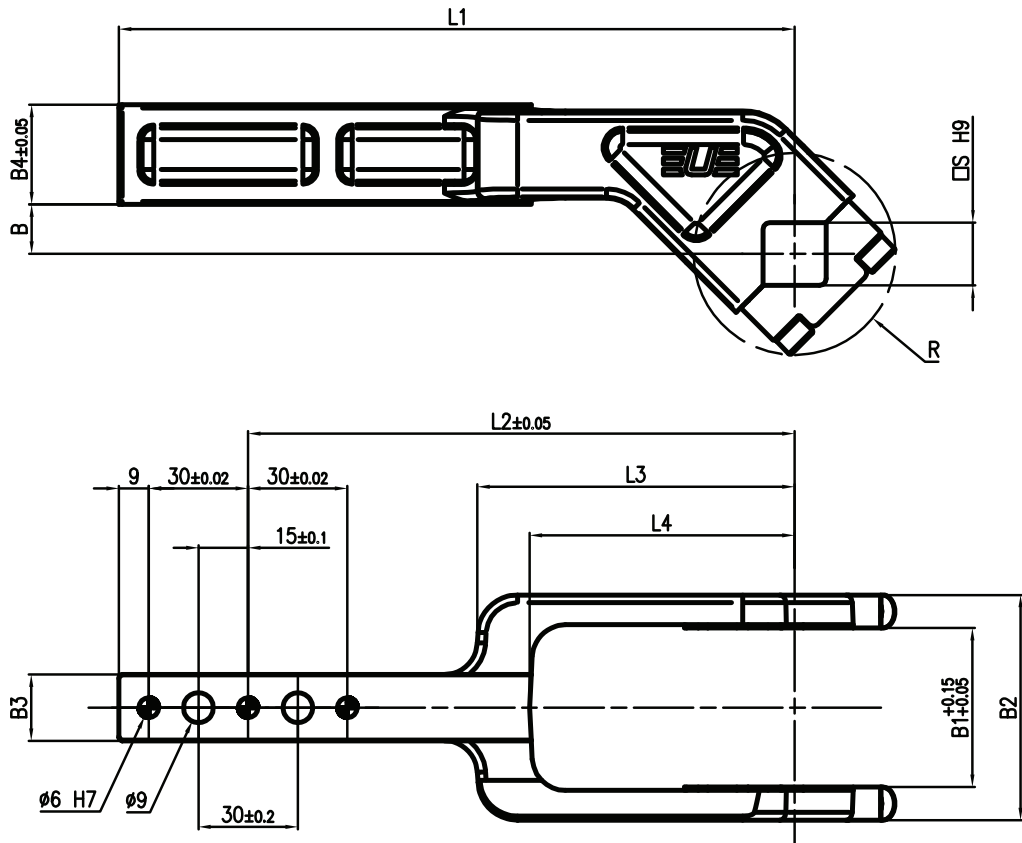
THE CLAMPING ARM INCLUDES THE NECESSARY SCREWS

Subject to technical modifications without notice

Rev. 01 15.01.16

LKP010-2323/2326

□ 19 mm - offset 15 mm



Part no.	B	B1	B2	B3	B4	L1	L2	L3	L4	R	S	Material
LKP010-2323	15	48	68	20	30	144	105	95	80	31	19	Steel
LKP010-2326	15	48	68	20	30	204	165	95	80	31	19	Steel