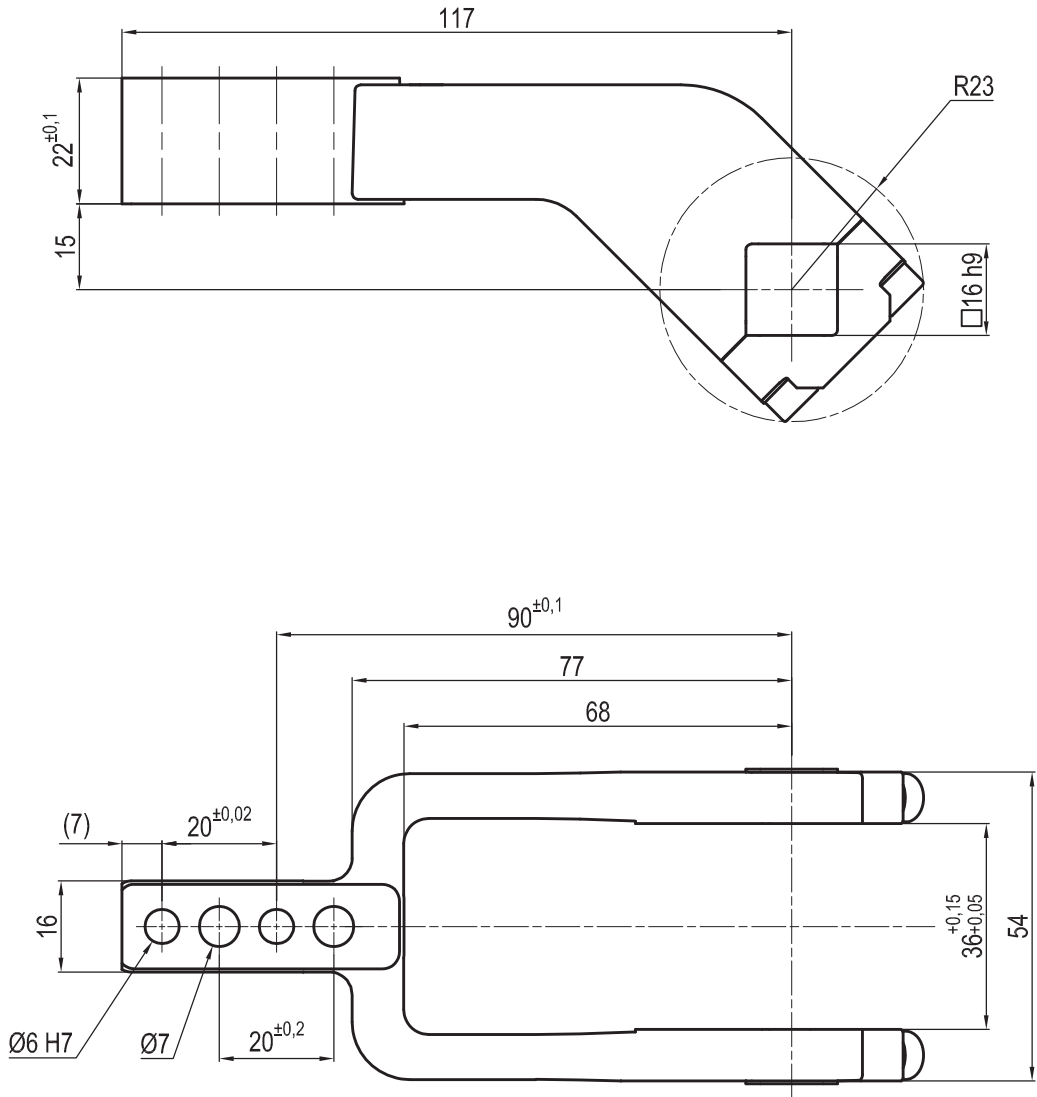


LKP01CST

□ 16 mm - offset 15 mm



Clamp size	Material	Weight
40 mm	Aluminium	0,2 Kg

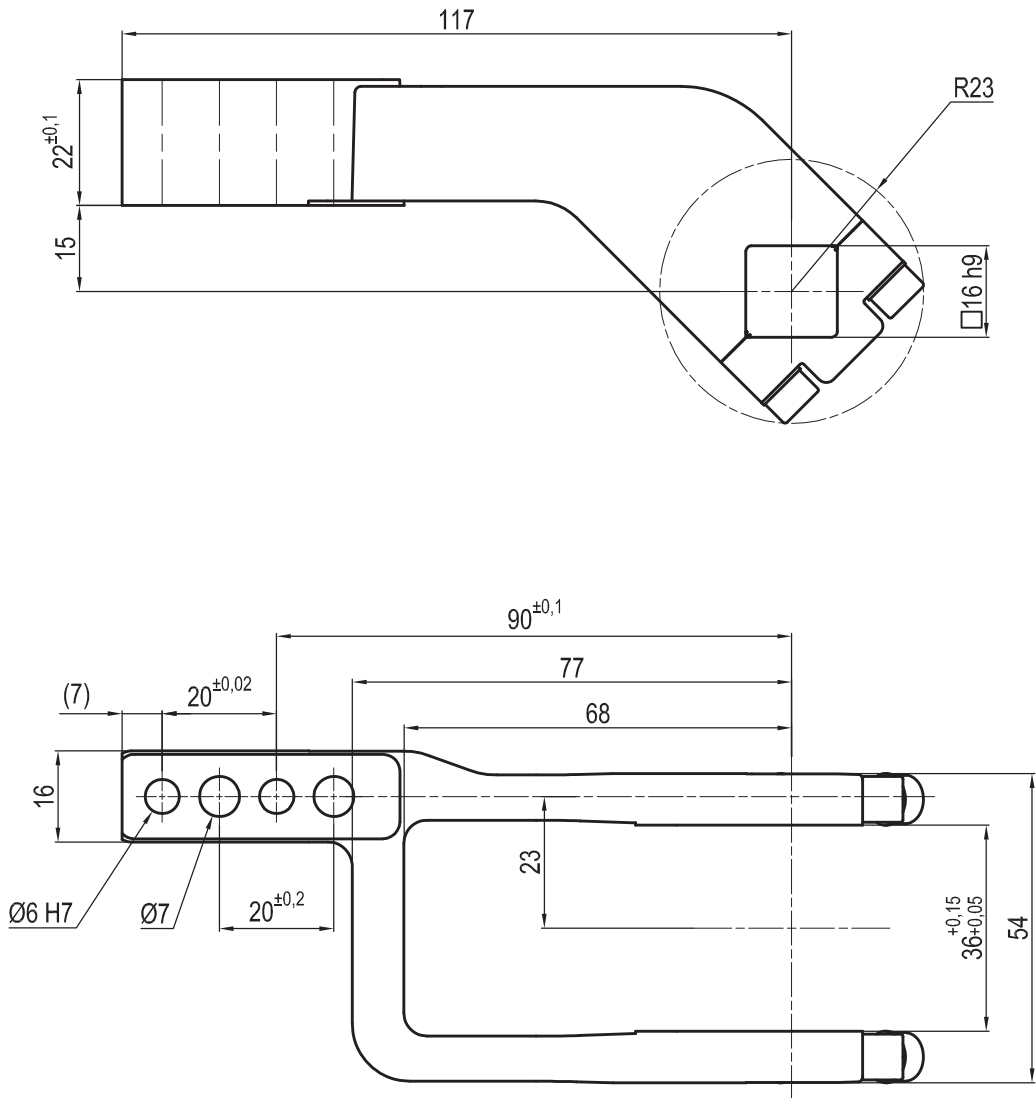
THE CLAMPING ARM INCLUDES THE NECESSARY SCREWS

Subject to technical modifications without notice

Rev. 01 08.04.16

LKP01DST

□ 16 mm - offset 15 mm



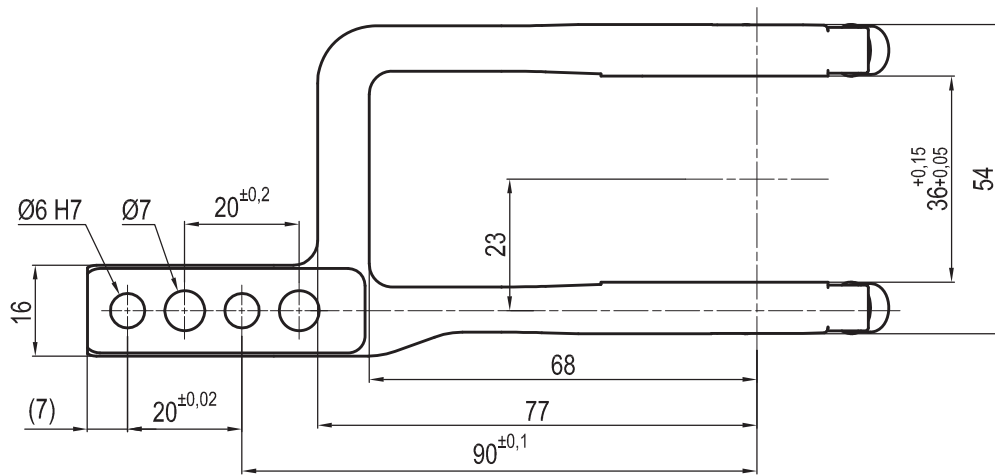
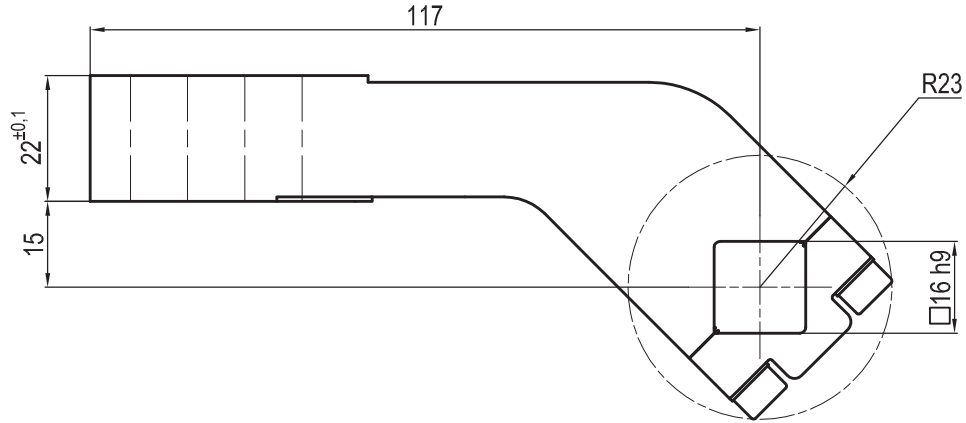
Clamp size	Material	Weight
40 mm	Aluminium	0,2 Kg

THE CLAMPING ARM INCLUDES THE NECESSARY SCREWS

Subject to technical modifications without notice

LKP01SST

□ 16 mm - offset 15 mm



Clamp size	Material	Weight
40 mm	Aluminium	0,2 Kg

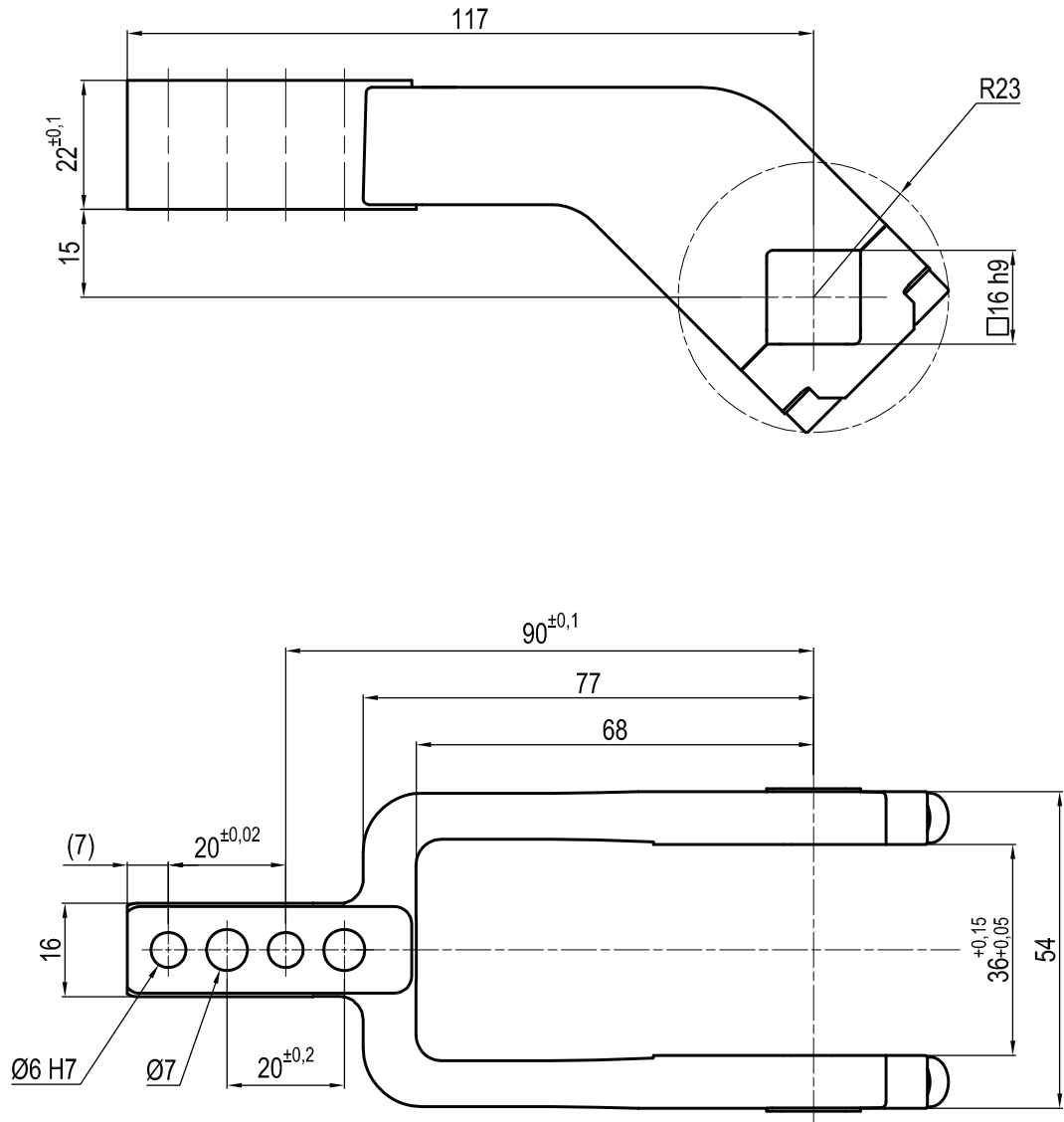
THE CLAMPING ARM INCLUDES THE NECESSARY SCREWS

Subject to technical modifications without notice

Rev. 02 15.07.16

UP120151441S

□ 16 mm - offset 15 mm



Clamp size	Material	Weight
40 mm	Steel	0,4 Kg

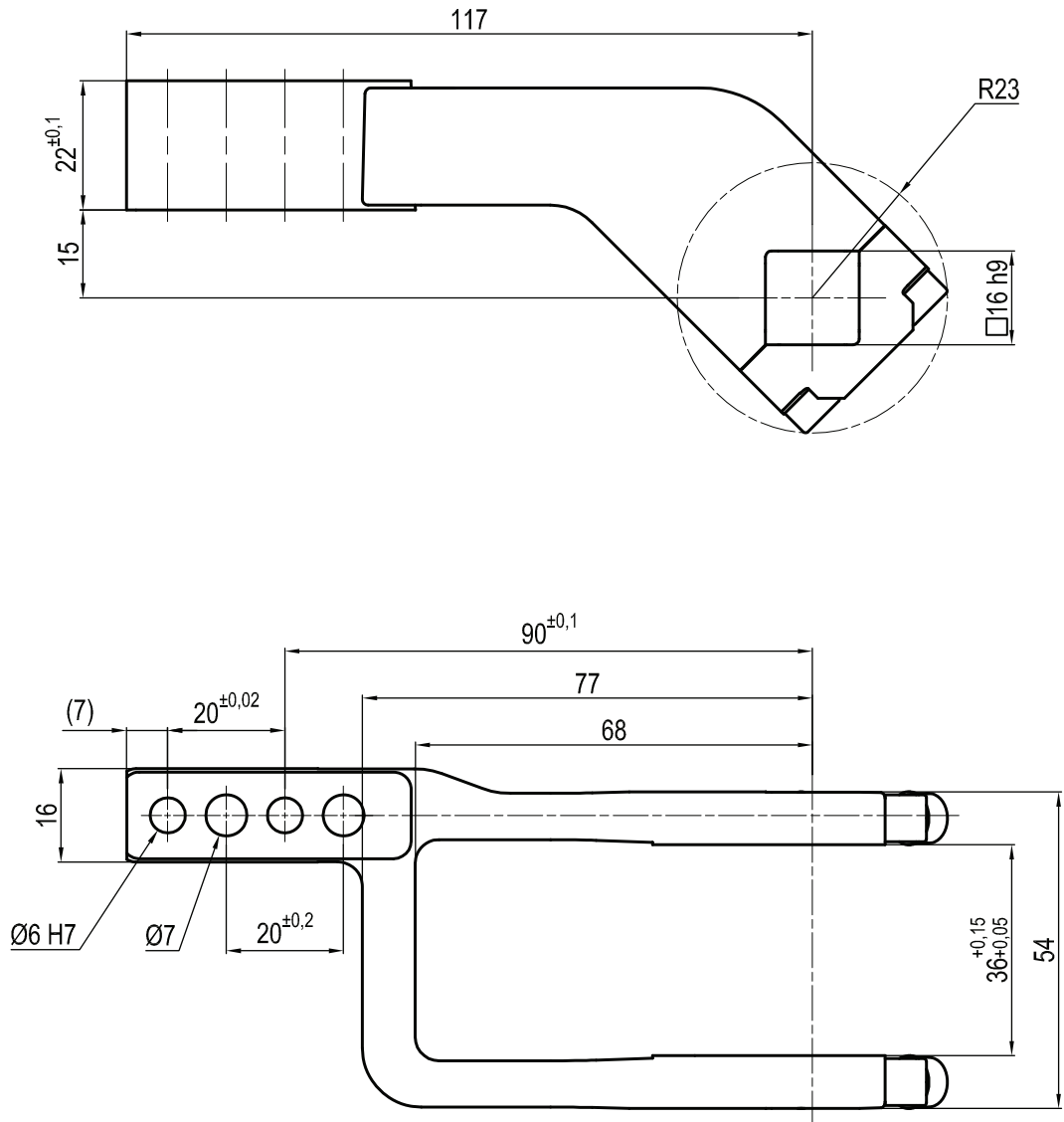
THE CLAMPING ARM INCLUDES THE NECESSARY SCREWS

Subject to technical modifications without notice

Rev. 01 15.01.16

UP120151442S

□ 16 mm - offset 15 mm



Clamp size	Material	Weight
40 mm	Steel	0,4 Kg

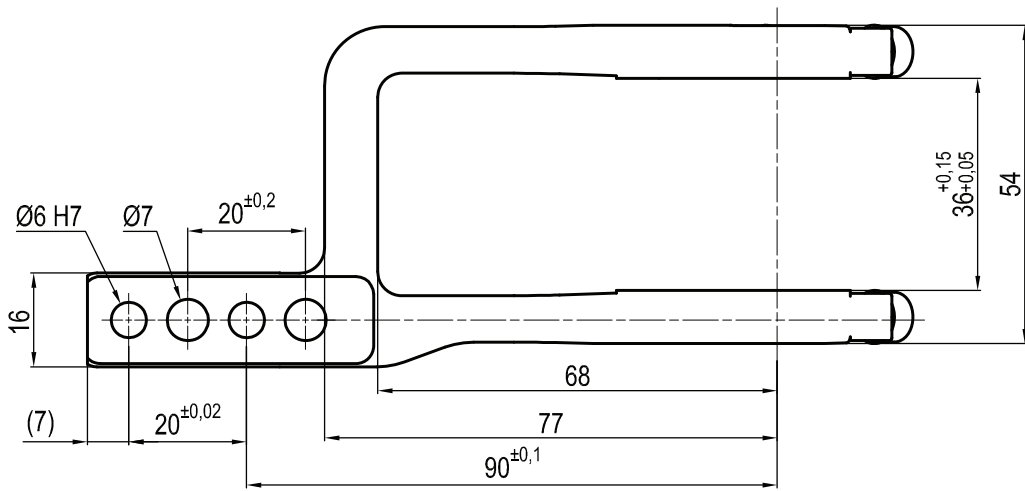
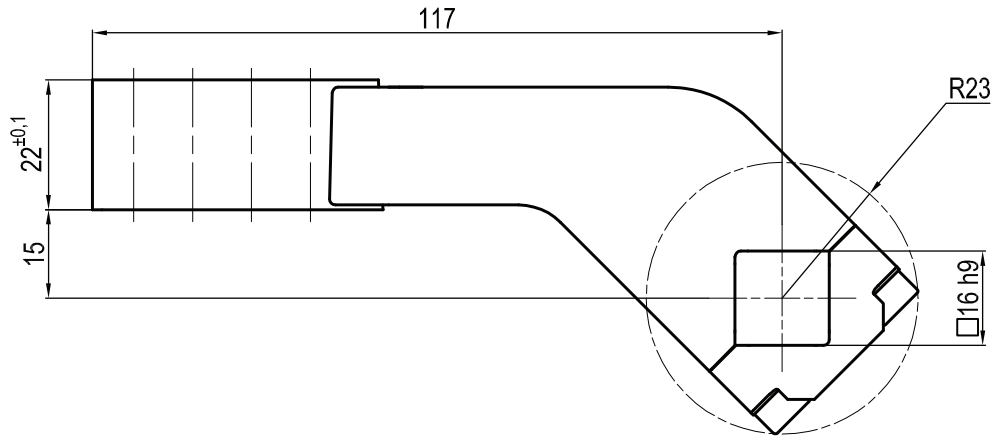
THE CLAMPING ARM INCLUDES THE NECESSARY SCREWS

Subject to technical modifications without notice

Rev. 01 15.01.16

UP120151443S

□ 16 mm - offset 15 mm



Clamp size	Material	Weight
40 mm	Steel	0,4 Kg

THE CLAMPING ARM INCLUDES THE NECESSARY SCREWS

Subject to technical modifications without notice

Rev. 01 15.01.16