

UNP50

UNIVERSAL Power clamps
conforming to NAAMS Standard



U	N	P	5	0	N	N	K	N	H
1	2	3	4	5	6	7			



1 Series	2 Version	3 Size
-----------------	------------------	---------------

UN = UNIVERSAL Power clamps
conforming to NAAMS Standard
fully adjustable opening angle:
0° to 135° Max

P = Pneumatic

50 = Ø 50 mm

4 Arm position	5 Square shaft	6 Sensor
-----------------------	-----------------------	-----------------

N = No arm

R = Right side only

L = Left side only

N = Both sides

N = No sensor
(with protection plate)

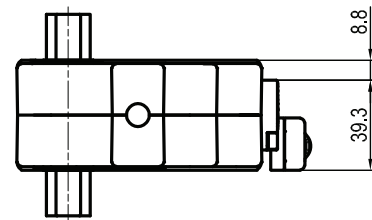
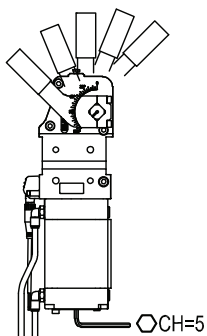
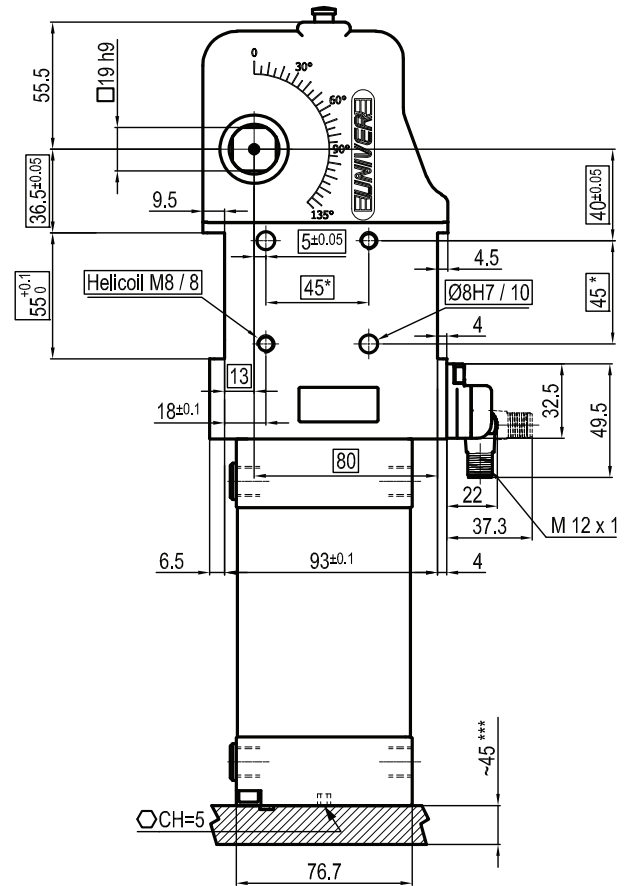
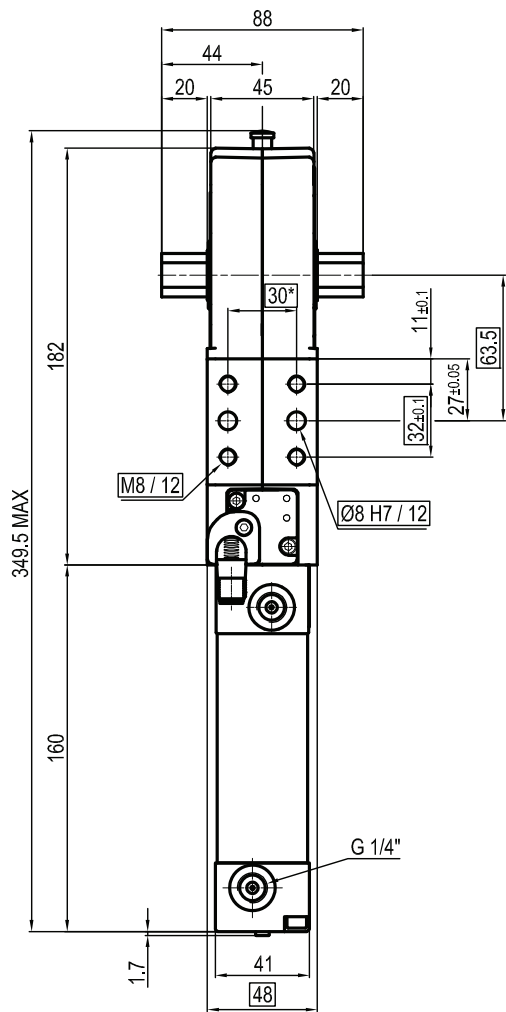
K = Electronic sensor PNP
(optical) (DF-K)

7 Port thread

G = Gas

NH = NPT

UNP50NNKG



Bore Ø	Holding moment	Clamping moment (0,5 MPa)	Weight (clamping arm not included)
50 mm	1250 Nm	280 Nm	2,8 Kg

 Min./Max. operating pressure: **0,4 / 0,6 MPa**

 Operating temperature: **5° ÷ 45° C**

 Opening angle: **adjustable**

Without arm

Electronic sensor with M12 swivel connector, from 0° to 90°

Supply voltage: 10 ÷ 30 Vdc

 IP code: **IP 65**

Pneumatic ports on both sides

*: TOLERANCE BETWEEN DOWELS ± 0,02, BETWEEN SCREW HOLES ± 0,1

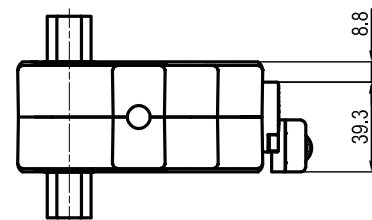
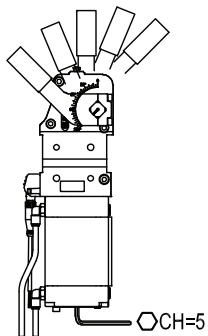
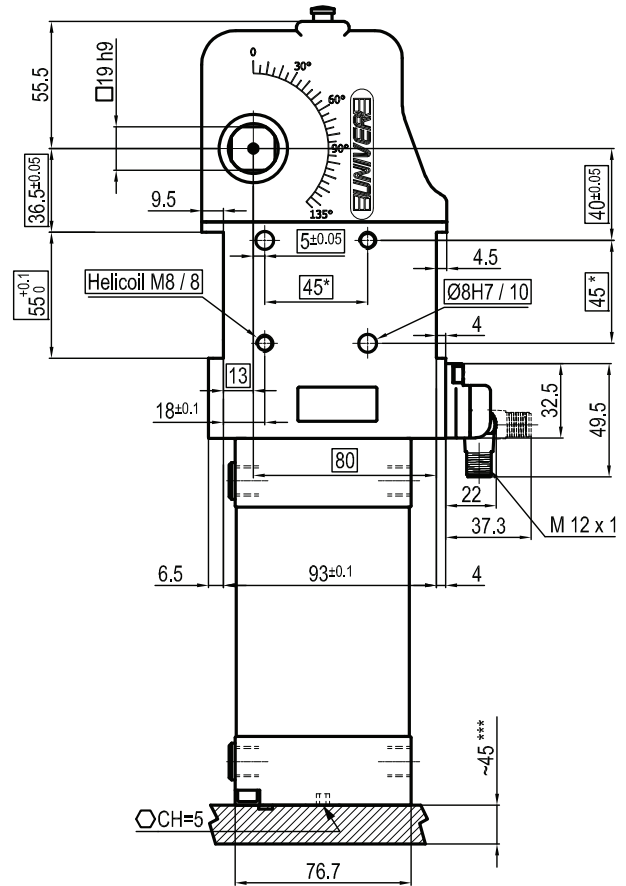
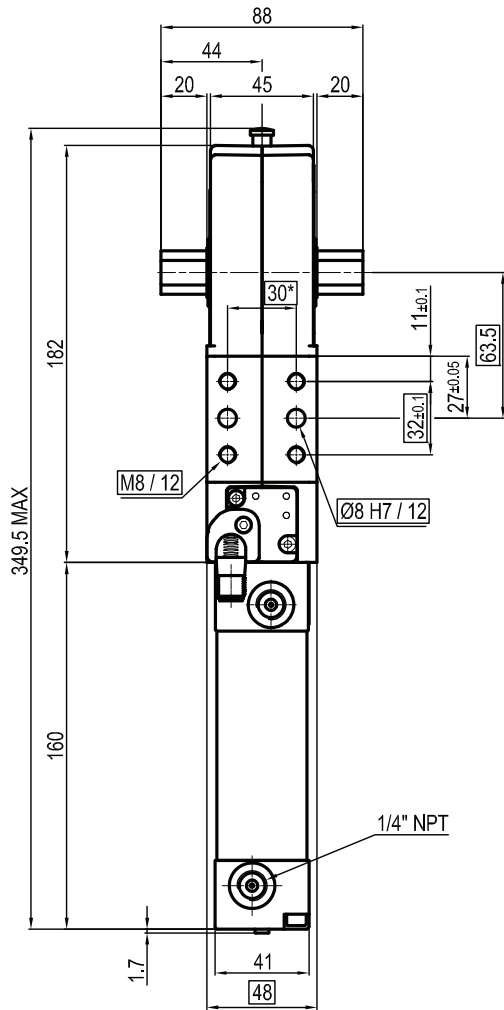
**: THE MEASURES REFER TO NAAMS STANDARD

***: AREA TO ACCESS ANGLE ADJUSTMENT

Subject to technical modifications without notice

Rev. 00 26.08.20

UNP50NNKNH



Bore Ø	Holding moment	Clamping moment (0,5 MPa)	Weight (clamping arm not included)
50 mm	1250 Nm	280 Nm	2,8 Kg

 Min./Max. operating pressure: **0,4 / 0,6 MPa**

 Operating temperature: **5° ÷ 45° C**

 Opening angle: **adjustable**

Without arm

Electronic sensor with M12 swivel connector, from 0° to 90°

Supply voltage: 10 ÷ 30 Vdc

 IP code: **IP 65**

Pneumatic ports on both sides

*: TOLERANCE BETWEEN DOWELS ± 0,02, BETWEEN SCREW HOLES ± 0,1

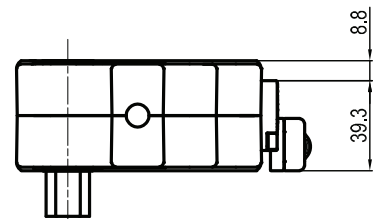
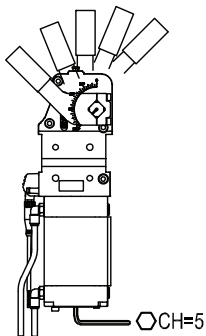
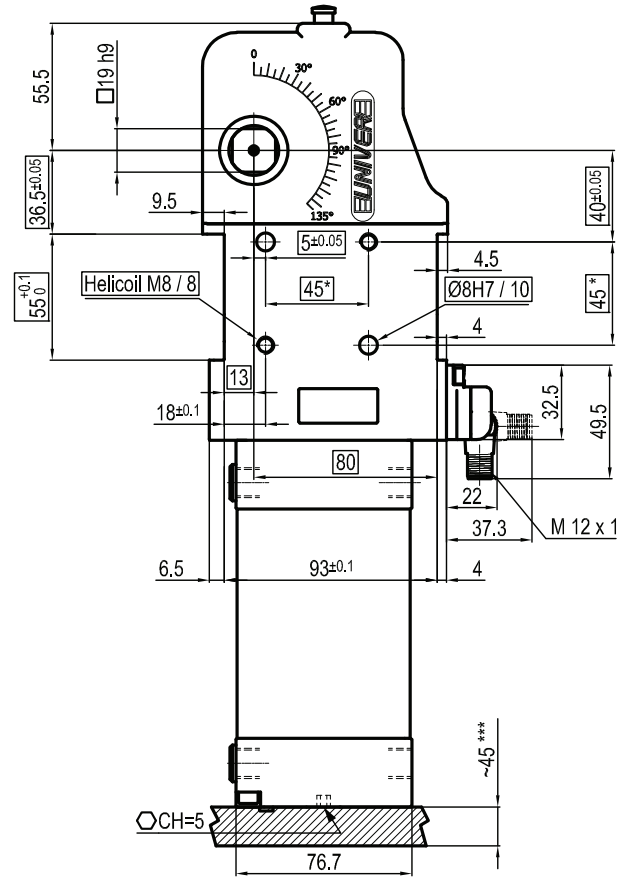
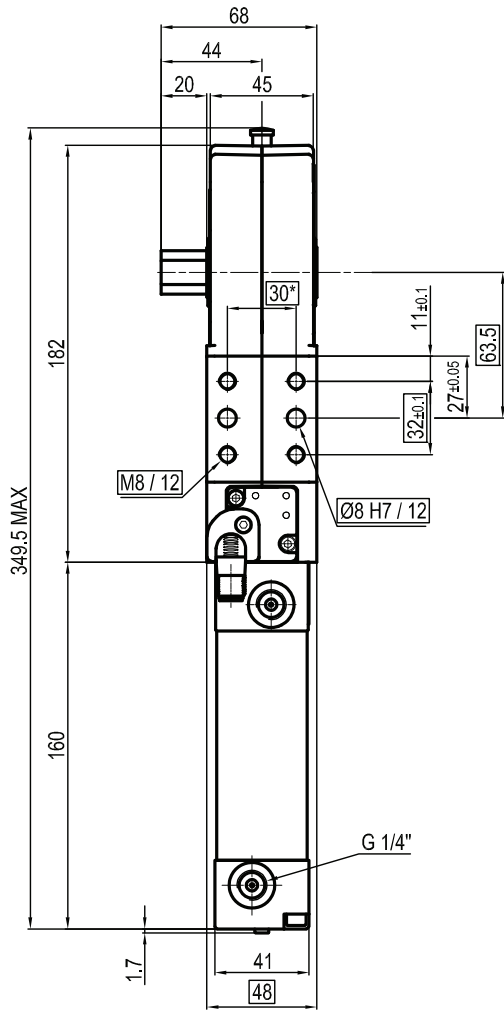
**: THE MEASURES REFER TO NAAMS STANDARD

***: AREA TO ACCESS ANGLE ADJUSTMENT

Subject to technical modifications without notice

Rev. 00 10.03.20

UNP50NLKG



Bore Ø	Holding moment	Clamping moment (0,5 MPa)	Weight (clamping arm not included)
50 mm	1250 Nm	280 Nm	2,8 Kg

 Min./Max. operating pressure: **0,4 / 0,6 MPa**

 Operating temperature: **5° ÷ 45° C**

 Opening angle: **adjustable**

Without arm

Electronic sensor with M12 swivel connector, from 0° to 90°

Supply voltage: 10 ÷ 30 Vdc

 IP code: **IP 65**

Pneumatic ports on both sides

*: TOLERANCE BETWEEN DOWELS ± 0,02, BETWEEN SCREW HOLES ± 0,1

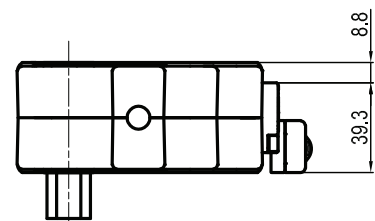
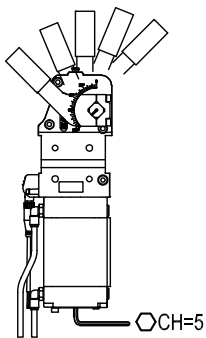
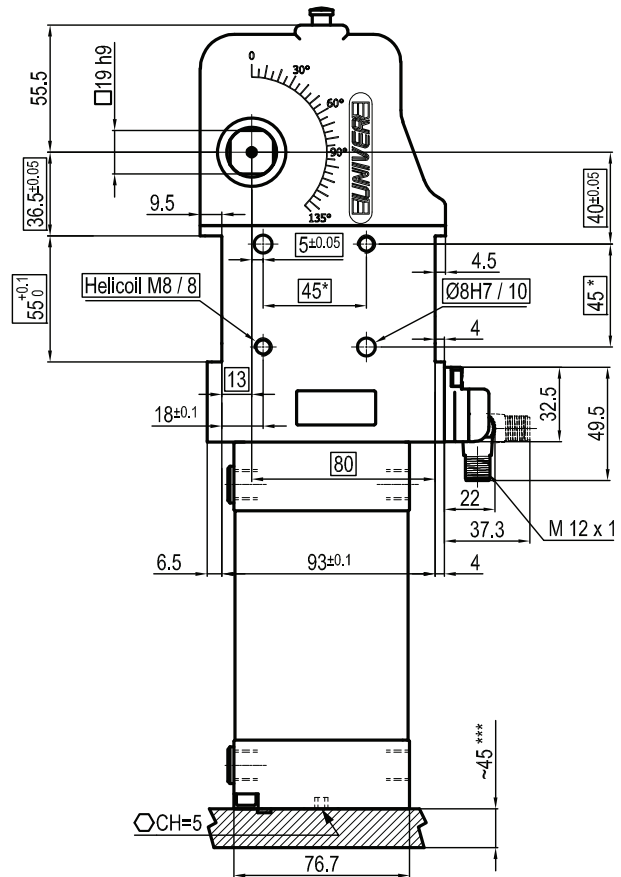
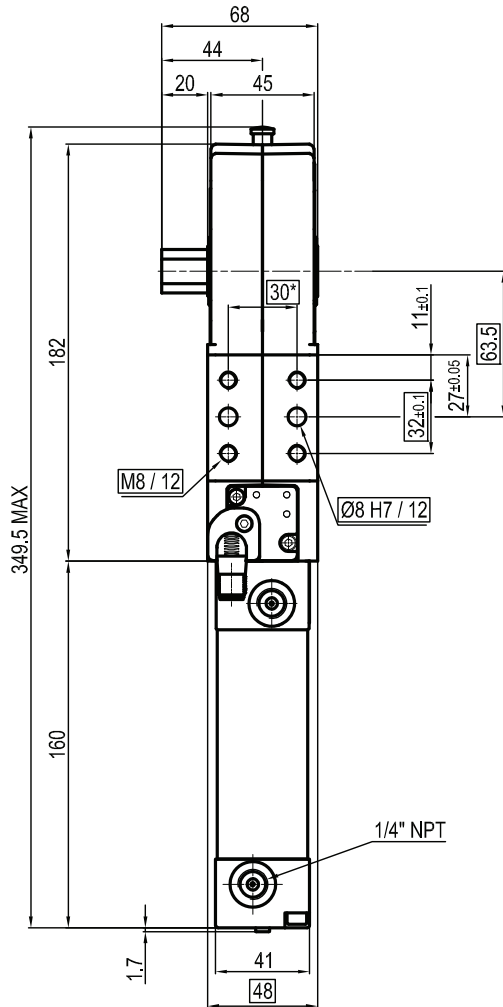
**: THE MEASURES REFER TO NAAMS STANDARD

***: AREA TO ACCESS ANGLE ADJUSTMENT

Subject to technical modifications without notice

Rev. 00 26.08.20

UNP50NLKNH



Bore Ø	Holding moment	Clamping moment (0,5 MPa)	Weight (clamping arm not included)
50 mm	1250 Nm	280 Nm	2,8 Kg

 Min./Max. operating pressure: **0,4 / 0,6 MPa**

 Operating temperature: **5° ÷ 45° C**

 Opening angle: **adjustable**

Without arm

Electronic sensor with M12 swivel connector, from 0° to 90°

Supply voltage: 10 ÷ 30 Vdc

 IP code: **IP 65**

Pneumatic ports on both sides

*: TOLERANCE BETWEEN DOWELS ± 0,02, BETWEEN SCREW HOLES ± 0,1

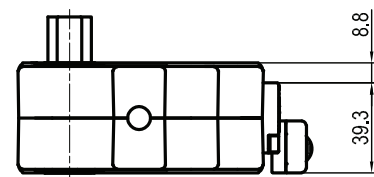
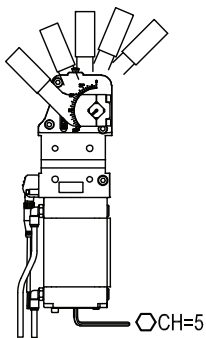
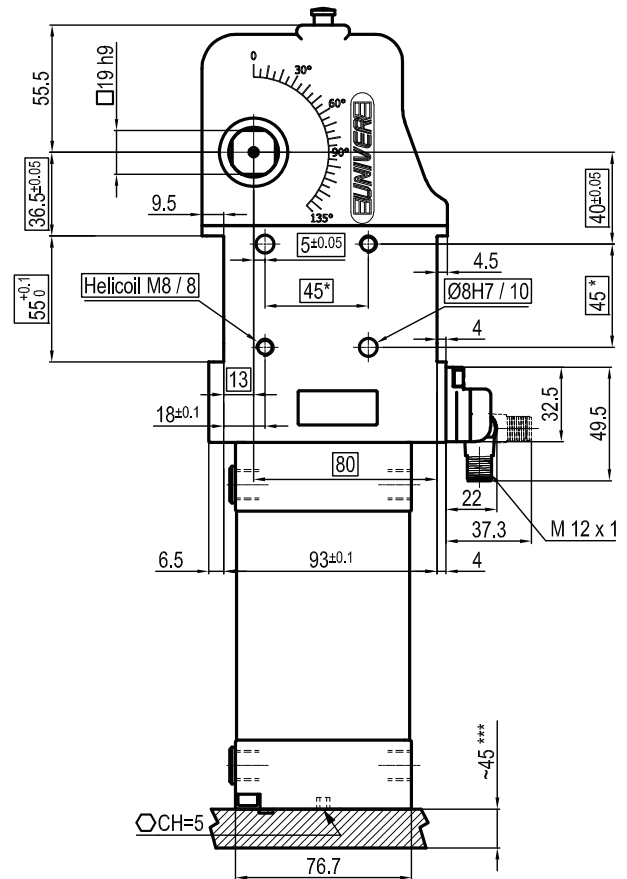
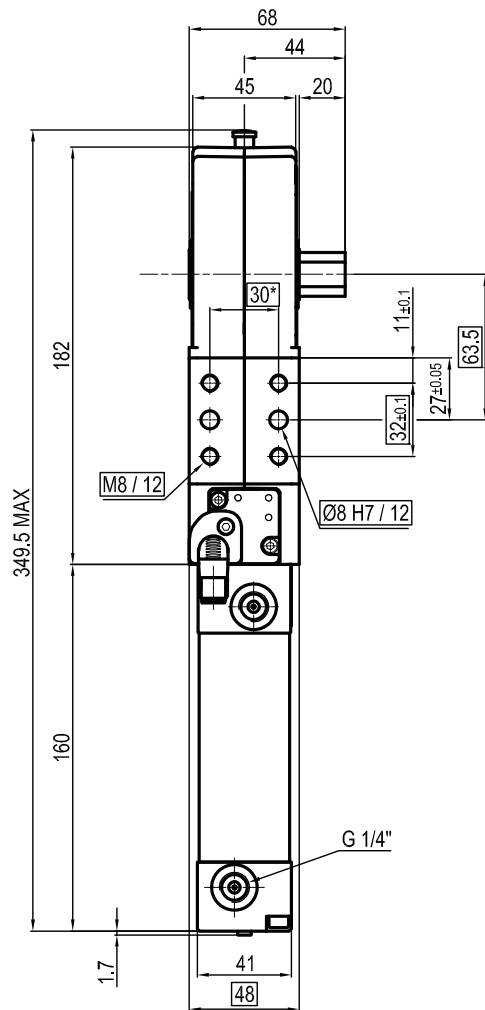
**: THE MEASURES REFER TO NAAMS STANDARD

***: AREA TO ACCESS ANGLE ADJUSTMENT

Subject to technical modifications without notice

Rev. 00 26.08.20

UNP50NRKG



Bore Ø	Holding moment	Clamping moment (0,5 MPa)	Weight (clamping arm not included)
50 mm	1250 Nm	280 Nm	2,8 Kg

 Min./Max. operating pressure: **0,4 / 0,6 MPa**

 Operating temperature: **5° ÷ 45° C**

 Opening angle: **adjustable**

Without arm

Electronic sensor with M12 swivel connector, from 0° to 90°

Supply voltage: 10 ÷ 30 Vdc

 IP code: **IP 65**

Pneumatic ports on both sides

*: TOLERANCE BETWEEN DOWELS ± 0,02, BETWEEN SCREW HOLES ± 0,1

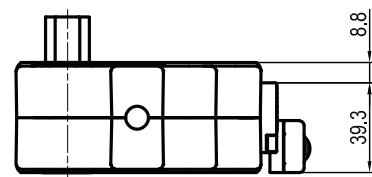
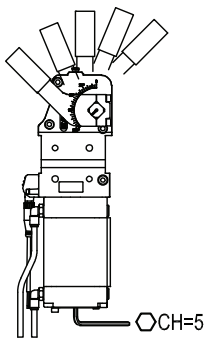
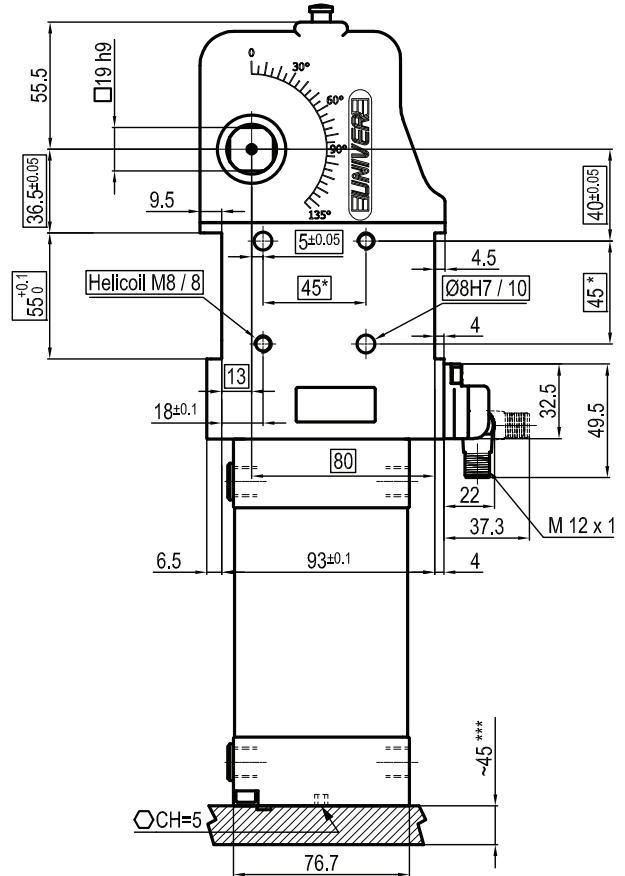
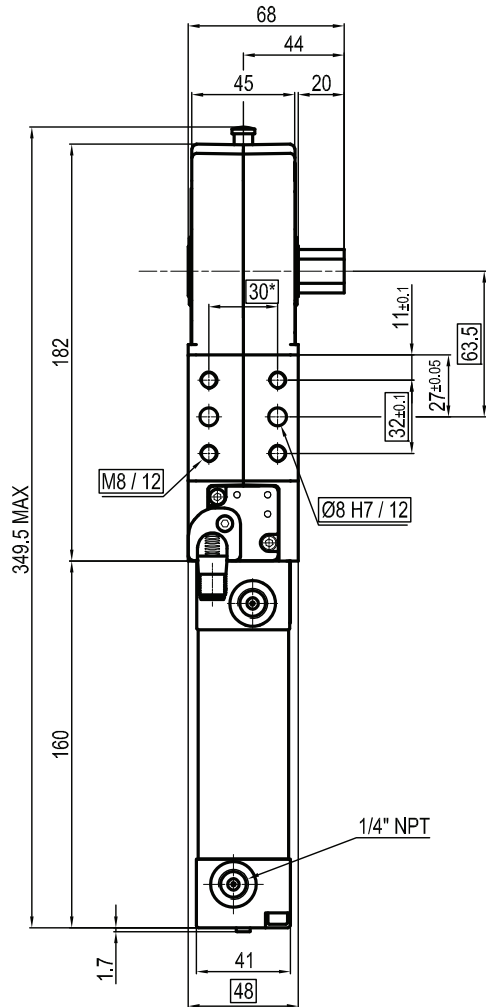
**: THE MEASURES REFER TO NAAMS STANDARD

***: AREA TO ACCESS ANGLE ADJUSTMENT

Subject to technical modifications without notice

Rev. 00 26.08.20

UNP50NRKNH



Bore Ø	Holding moment	Clamping moment (0,5 MPa)	Weight (clamping arm not included)
50 mm	1250 Nm	280 Nm	2,8 Kg

 Min./Max. operating pressure: **0,4 / 0,6 MPa**

 Operating temperature: **5° ÷ 45° C**

 Opening angle: **adjustable**

Without arm

Electronic sensor with M12 swivel connector, from 0° to 90°

Supply voltage: 10 ÷ 30 Vdc

 IP code: **IP 65**

Pneumatic ports on both sides

*: TOLERANCE BETWEEN DOWELS ± 0,02, BETWEEN SCREW HOLES ± 0,1

**: THE MEASURES REFER TO NAAMS STANDARD

***: AREA TO ACCESS ANGLE ADJUSTMENT

Subject to technical modifications without notice

Rev. 00 26.08.20