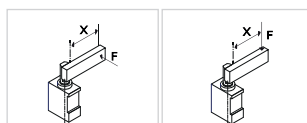

ULR50__A_K0
4 6
4 STROKE
6 ROD ORIENTATION

 015 = 15 mm
 025 = 25 mm
 040 = 40 mm
 050 = 50 mm
 060 = 60 mm

 E = East
 O = West
 N = North
 S = South


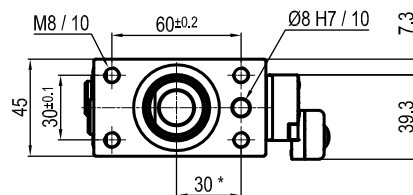
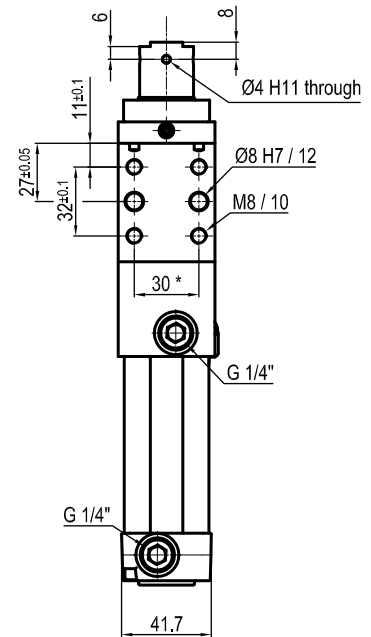
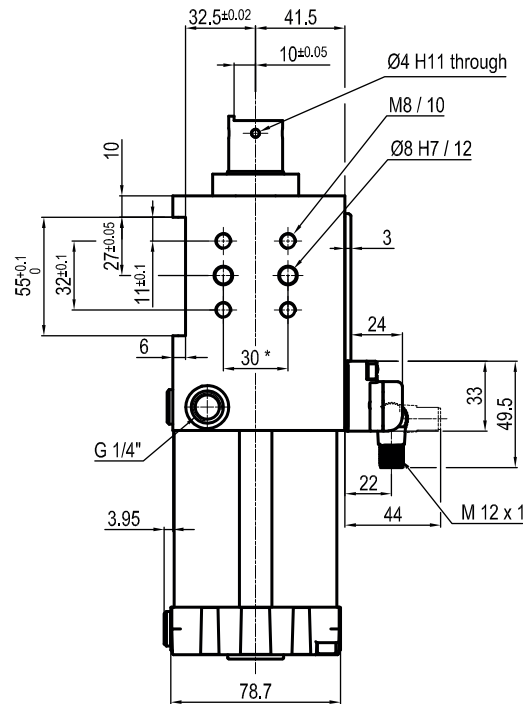
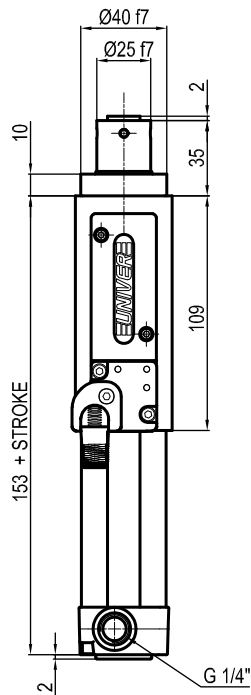
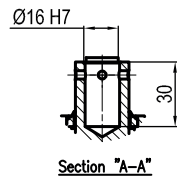
Bore Ø	Max. pull force 0,5 MPa	Max. push force 0,5 MPa	Max. torque 6 Nm X=100 mm	Max. deflection moment 7,5 Nm X=100 mm	Weight
50 mm	860 N	960 N	± 0.06 mm	± 0.03 mm	1,9 Kg

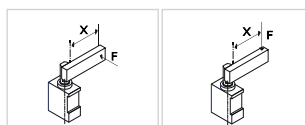
 Min./Max. operating pressure: **0,4 / 0,6 MPa**
 Operating temperature: **5° ± 45° C**
 Strokes in mm: **15 - 25 - 40 - 50 - 60**
 Electronic sensor with M12 swivel connector, from 0° to 90°
 Supply voltage: **10 ÷ 30 Vdc**
 IP code: **IP 65**

*: TOLERANCE BETWEEN DOWELS ± 0,02, BETWEEN SCREW HOLES ± 0,1

Subject to technical modifications without notice

Rev. 00 12.06.20


ULR50__BXK0
4 STROKE
4

 015 = 15 mm
 025 = 25 mm
 040 = 40 mm
 050 = 50 mm
 060 = 60 mm


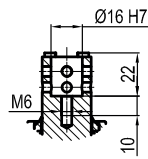
Bore Ø	Max. pull force 0,5 MPa	Max. push force 0,5 MPa	Max. torque 6 Nm X=100 mm	Max. deflection moment 7,5 Nm X=100 mm	Weight
50 mm	860 N	960 N	± 0.06 mm	± 0.03 mm	1,9 Kg

 Min./Max. operating pressure: **0,4 / 0,6 MPa**
 Operating temperature: **5° ± 45° C**
 Strokes in mm.: **15 - 25 - 40 - 50 - 60**
 Electronic sensor with M12 swivel connector, from 0° to 90°
 Supply voltage: **10 ÷ 30 Vdc**
 IP code: **IP 65**

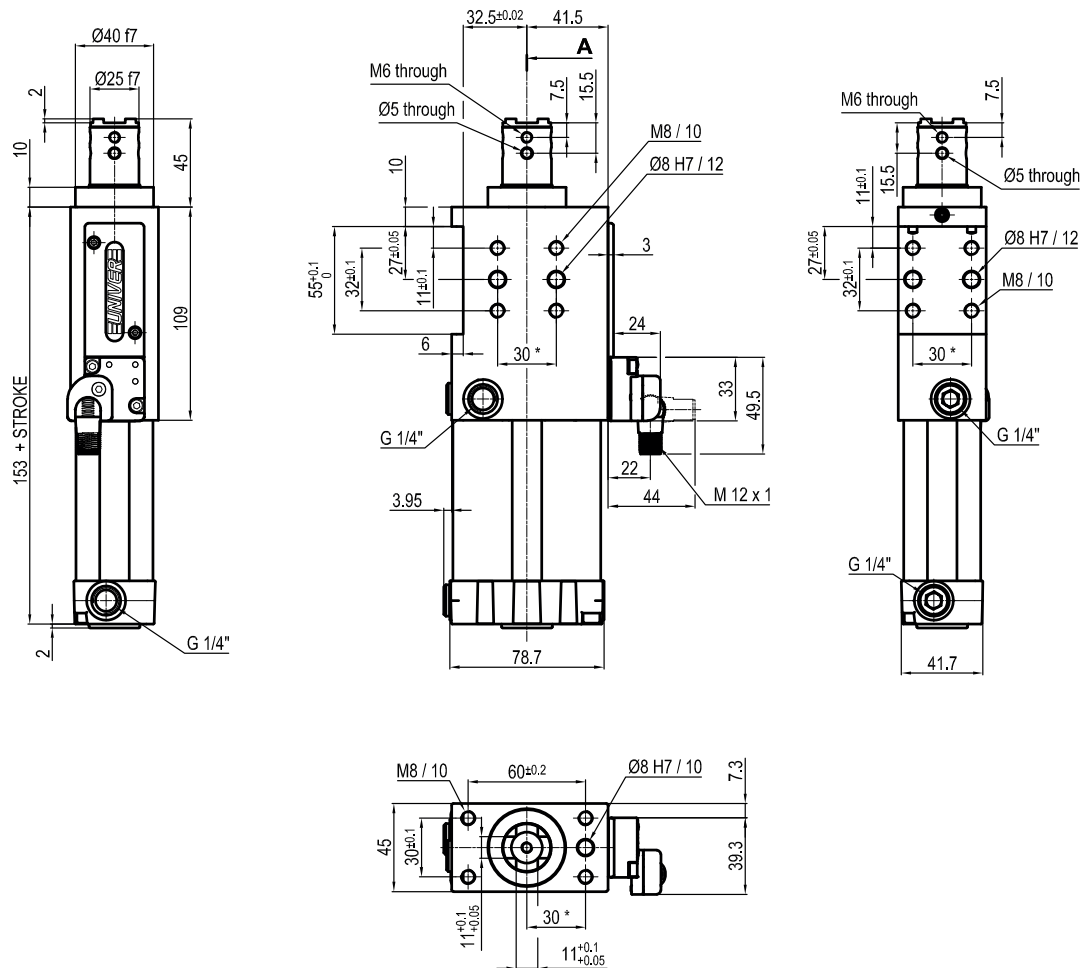
*: TOLERANCE BETWEEN DOWELS ± 0,02, BETWEEN SCREW HOLES ± 0,1

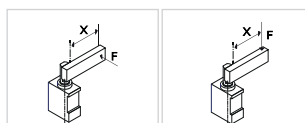
Subject to technical modifications without notice

Rev. 00 12.06.20



Section "A-A"

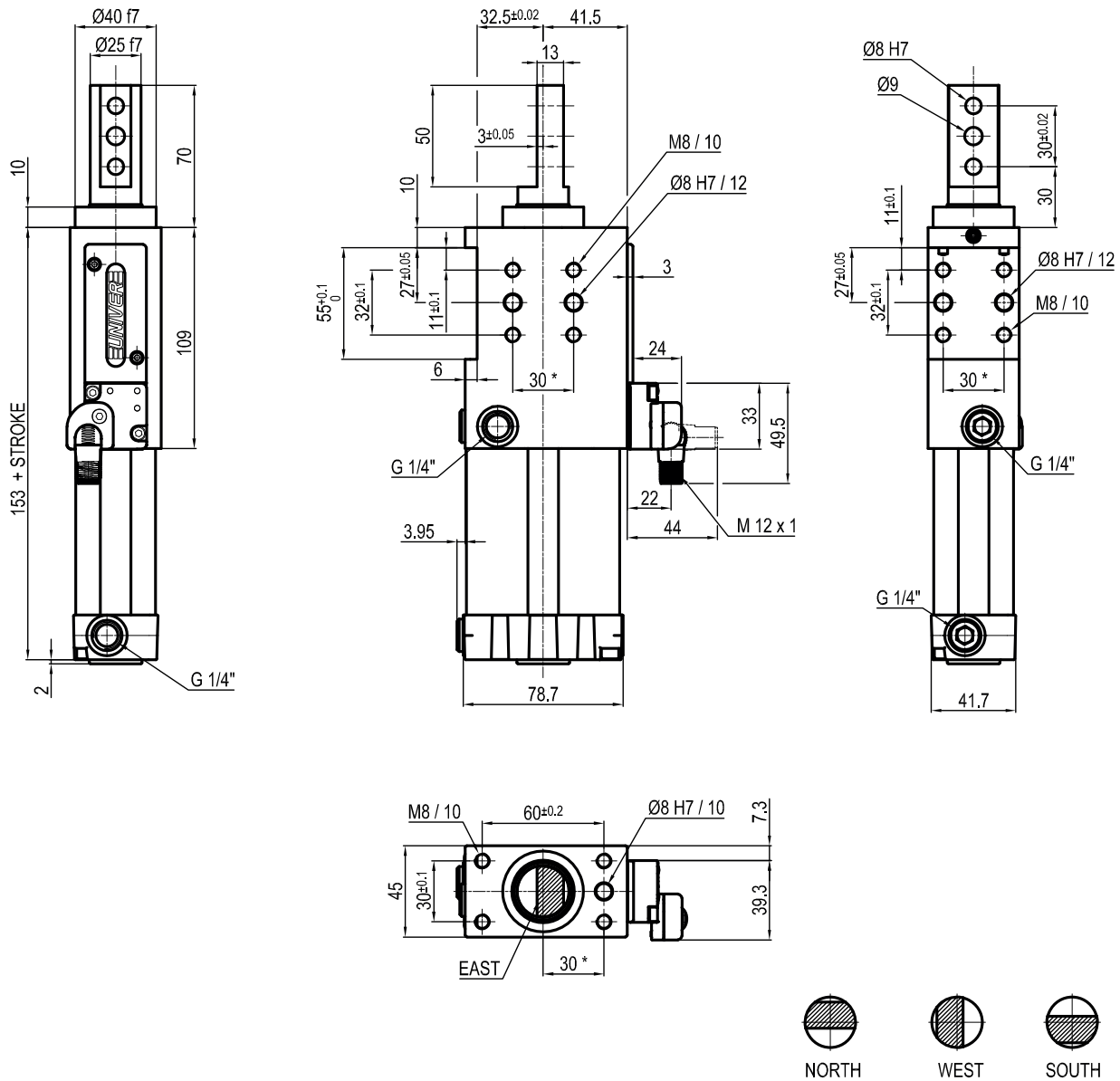

ULR50__CXK0
4 STROKE
4

 015 = 15 mm
 025 = 25 mm
 040 = 40 mm
 050 = 50 mm
 060 = 60 mm


Bore Ø	Max. pull force 0,5 MPa	Max. push force 0,5 MPa	Max. torque 6 Nm X=100 mm	Max. deflection moment 7,5 Nm X=100 mm	Weight
50 mm	860 N	960 N	± 0.06 mm	± 0.03 mm	1,9 Kg

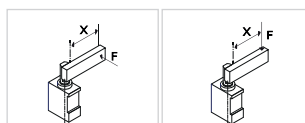
 Min./Max. operating pressure: **0,4 / 0,6 MPa**
 Operating temperature: **5° ± 45° C**
 Strokes in mm.: **15 - 25 - 40 - 50 - 60**
 Electronic sensor with M12 swivel connector, from 0° to 90°
 Supply voltage: **10 ÷ 30 Vdc**
 IP code: **IP 65**

*: TOLERANCE BETWEEN DOWELS ± 0,02, BETWEEN SCREW HOLES ± 0,1


ULR50__D_K0
4 6
4 STROKE
6 ROD ORIENTATION

015 = 15 mm
 025 = 25 mm
 040 = 40 mm
 050 = 50 mm
 060 = 60 mm

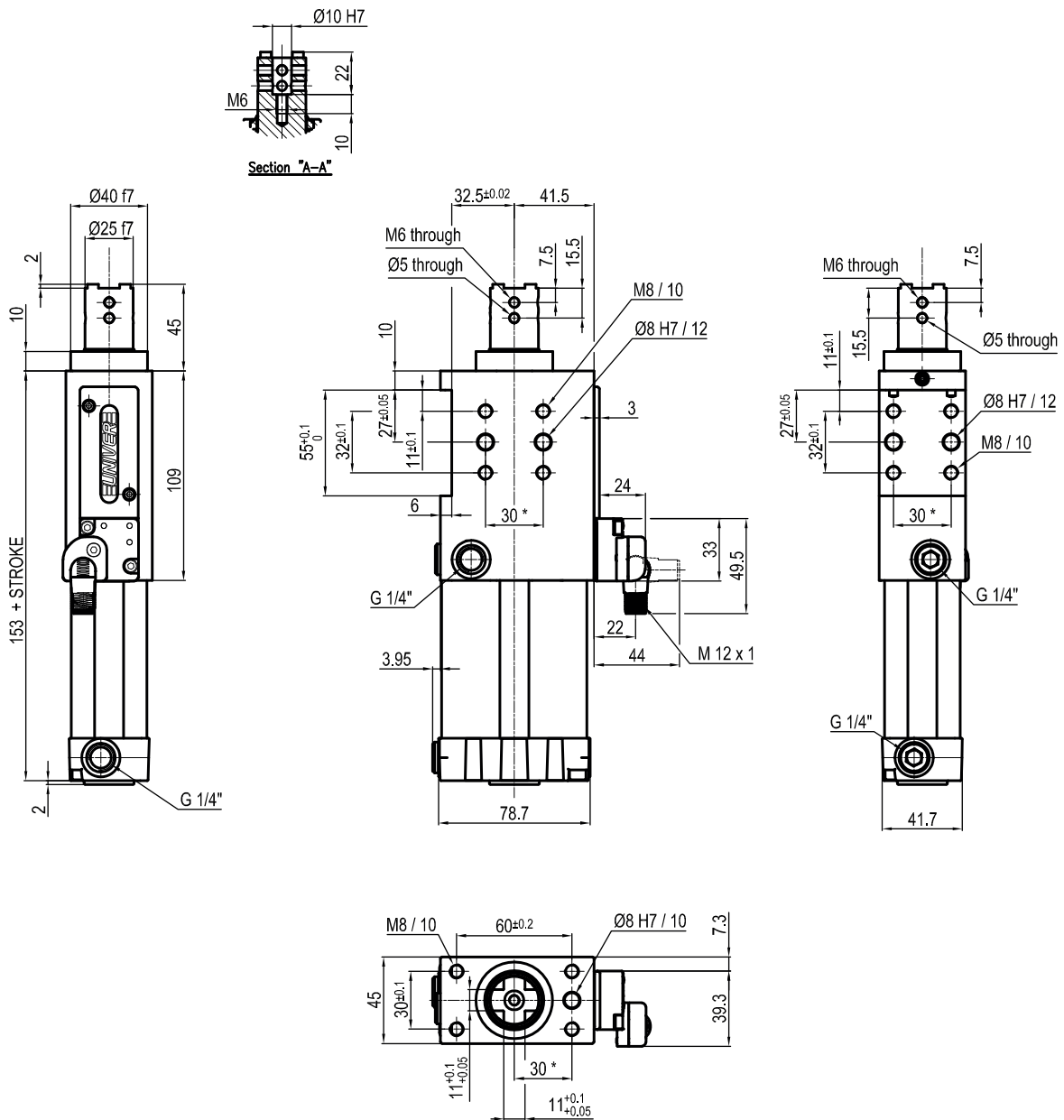
E = East
 O = West
 N = North
 S = South

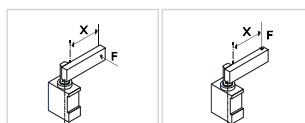


Bore Ø	Max. pull force 0,5 MPa	Max. push force 0,5 MPa	Max. torque 6 Nm X=100 mm	Max. deflection moment 7,5 Nm X=100 mm	Weight
50 mm	860 N	960 N	± 0.06 mm	± 0.03 mm	1,9 Kg

Min./Max. operating pressure: **0,4 / 0,6 MPa**
 Operating temperature: **5° ± 45° C**
 Strokes in mm.: **15 - 25 - 40 - 50 - 60**
 Electronic sensor with M12 swivel connector, from 0° to 90°
 Supply voltage: **10 ÷ 30 Vdc**
 IP code: **IP 65**

* : TOLERANCE BETWEEN DOWELS $\pm 0,02$, BETWEEN SCREW HOLES $\pm 0,1$


ULR50__EXK0
4 STROKE
4

 015 = 15 mm
 025 = 25 mm
 040 = 40 mm
 050 = 50 mm
 060 = 60 mm


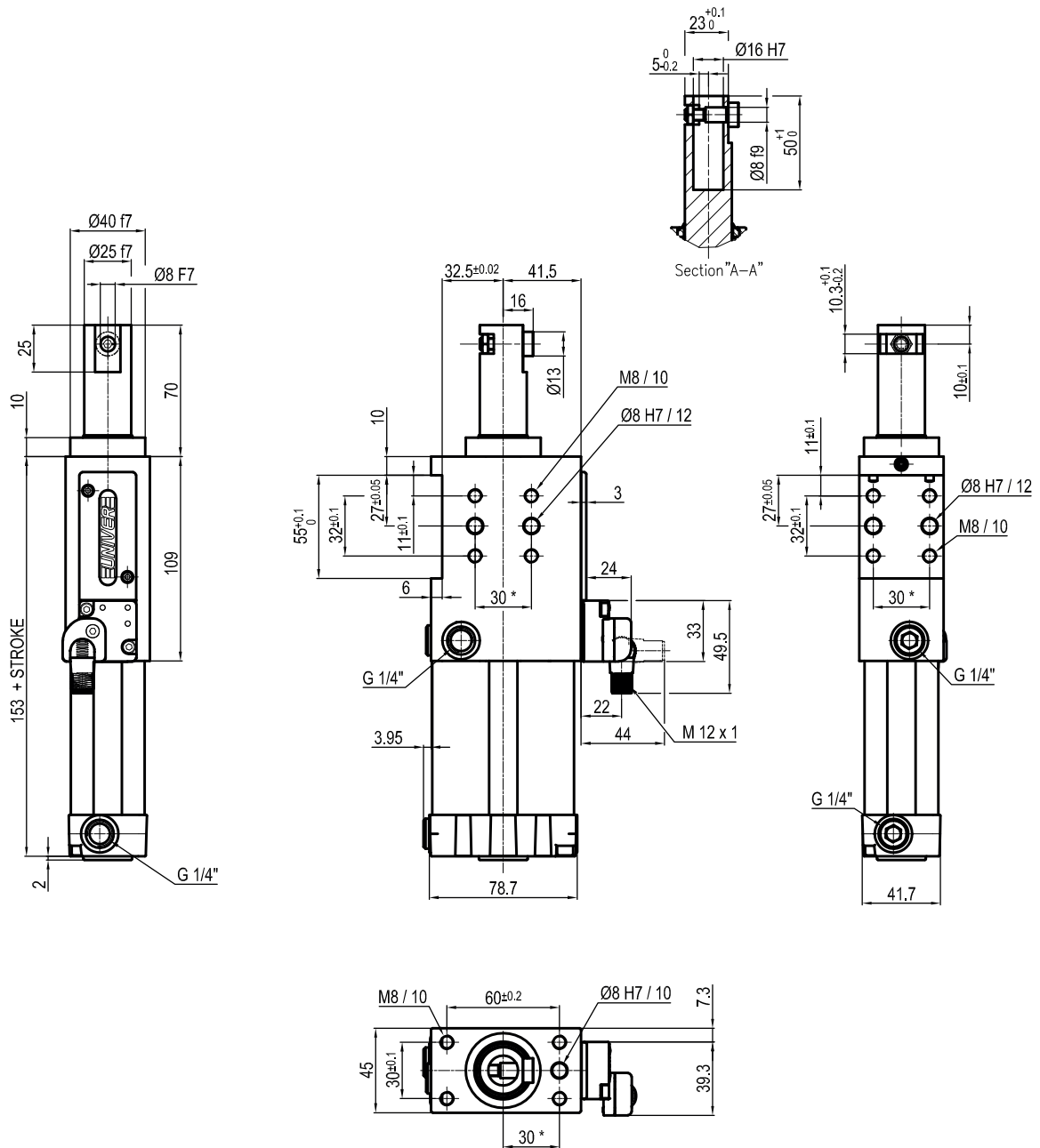
Bore Ø	Max. pull force 0,5 MPa	Max. push force 0,5 MPa	Max. torque 6 Nm X=100 mm	Max. deflection moment 7,5 Nm X=100 mm	Weight
50 mm	860 N	960 N	± 0.06 mm	± 0.03 mm	1,9 Kg

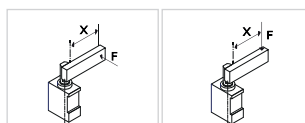
 Min./Max. operating pressure: **0,4 / 0,6 MPa**
 Operating temperature: **5° ± 45° C**
 Strokes in mm.: **15 - 25 - 40 - 50 - 60**
 Electronic sensor with M12 swivel connector, from 0° to 90°
 Supply voltage: **10 ± 30 Vdc**
 IP code: **IP 65**

*: TOLERANCE BETWEEN DOWELS ± 0,02, BETWEEN SCREW HOLES ± 0,1

Subject to technical modifications without notice

Rev. 00 12.06.20


ULR50__FXK0
4 STROKE
4

 015 = 15 mm
 025 = 25 mm
 040 = 40 mm
 050 = 50 mm
 060 = 60 mm


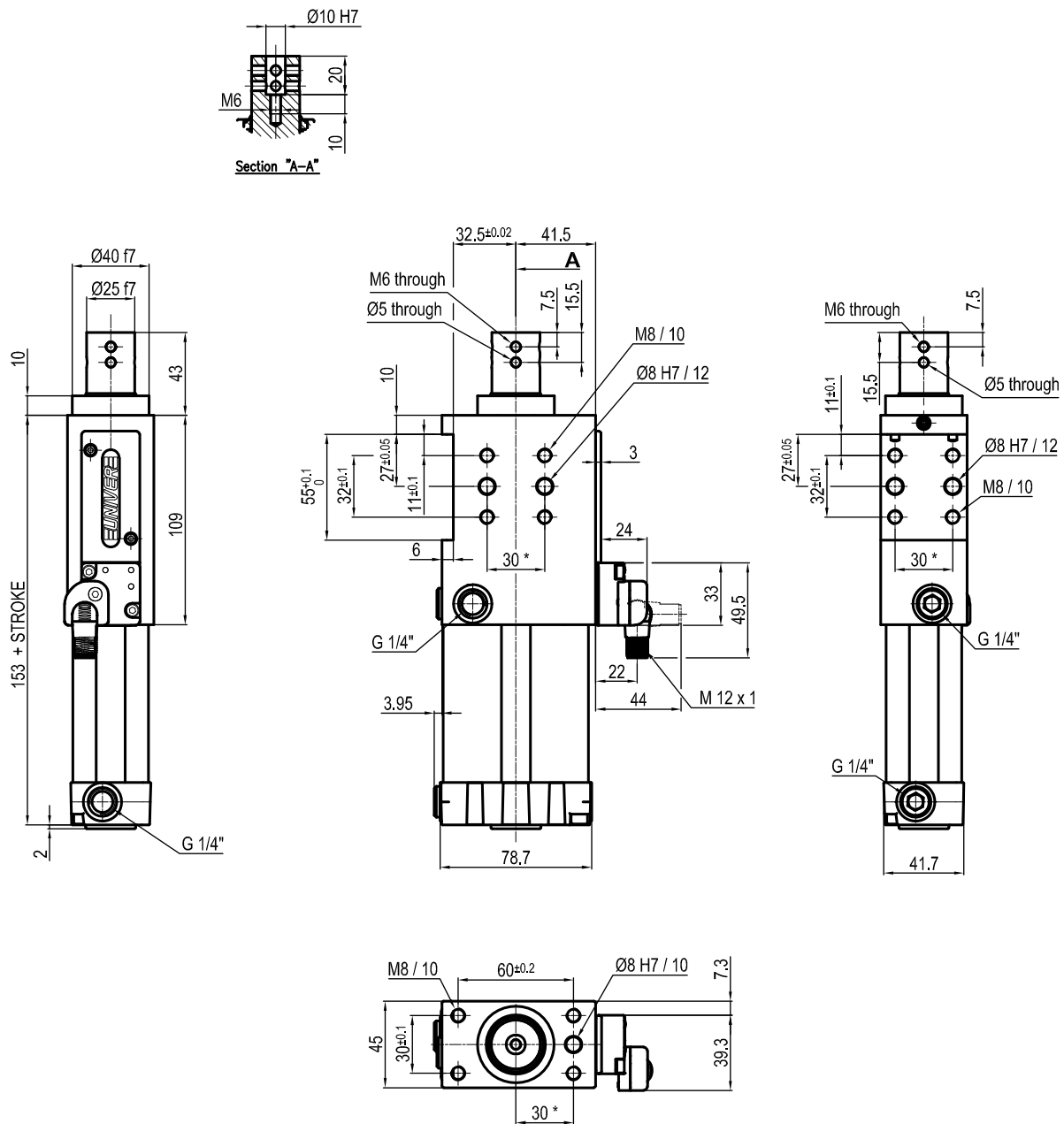
Bore Ø	Max. pull force 0,5 MPa	Max. push force 0,5 MPa	Max. torque 6 Nm X=100 mm	Max. deflection moment 7,5 Nm X=100 mm	Weight
50 mm	860 N	960 N	± 0.06 mm	± 0.03 mm	1,9 Kg

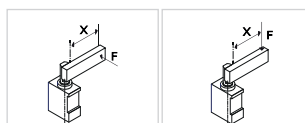
 Min./Max. operating pressure: **0,4 / 0,6 MPa**
 Operating temperature: **5° ± 45° C**
 Strokes in mm.: **15 - 25 - 40 - 50 - 60**
 Electronic sensor with M12 swivel connector, from 0° to 90°
 Supply voltage: **10 ÷ 30 Vdc**
 IP code: **IP 65**

*: TOLERANCE BETWEEN DOWELS ± 0,02, BETWEEN SCREW HOLES ± 0,1

Subject to technical modifications without notice

Rev. 00 12.06.20


ULR50_ _ _HXK0
4 STROKE
4

 015 = 15 mm
 025 = 25 mm
 040 = 40 mm
 050 = 50 mm
 060 = 60 mm


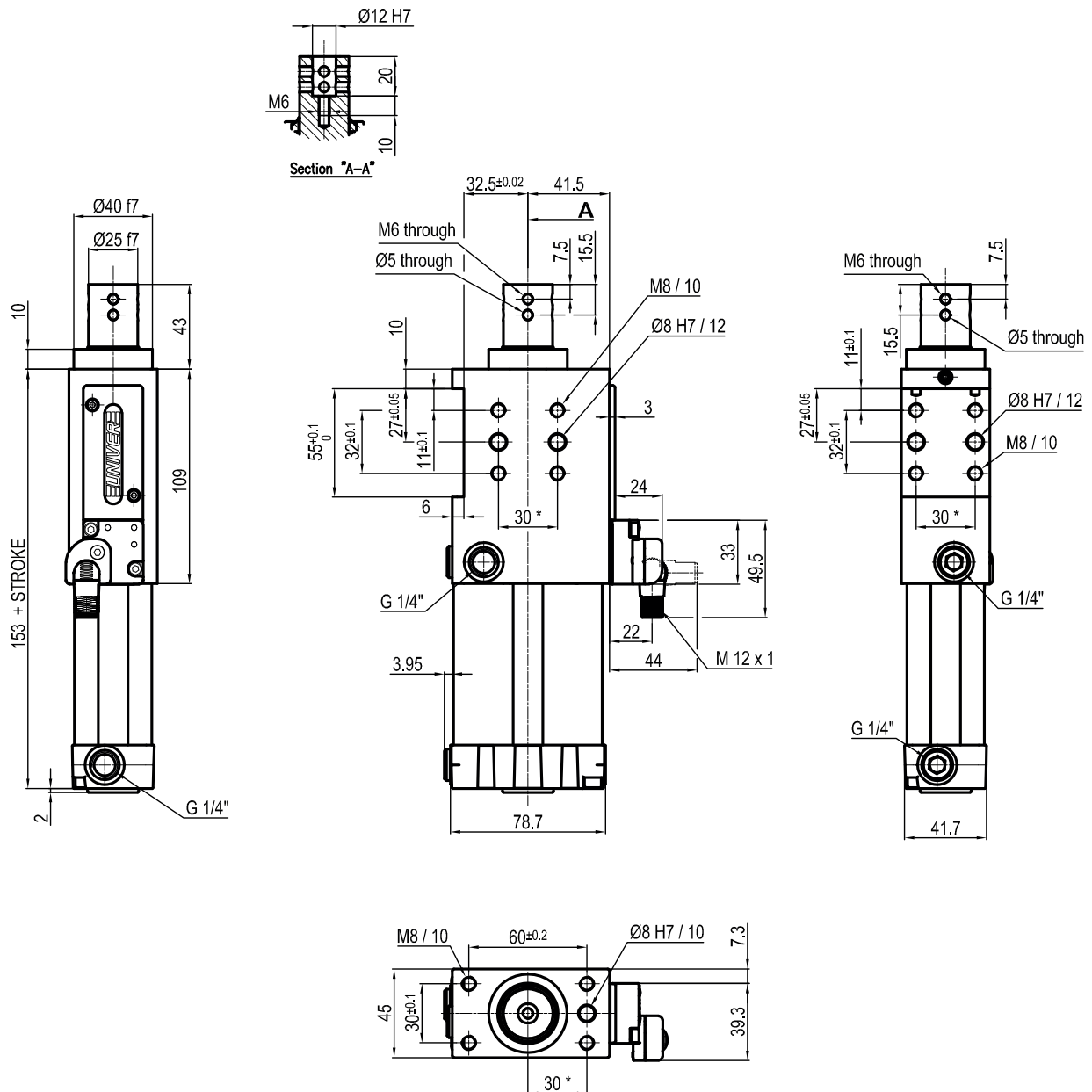
Bore Ø	Max. pull force 0,5 MPa	Max. push force 0,5 MPa	Max. torque 6 Nm X=100 mm	Max. deflection moment 7,5 Nm X=100 mm	Weight
50 mm	860 N	960 N	± 0.06 mm	± 0.03 mm	1,9 Kg

 Min./Max. operating pressure: **0,4 / 0,6 MPa**
 Operating temperature: **5° ± 45° C**
 Strokes in mm.: **15 - 25 - 40 - 50 - 60**
 Electronic sensor with M12 swivel connector, from 0° to 90°
 Supply voltage: **10 ÷ 30 Vdc**
 IP code: **IP 65**

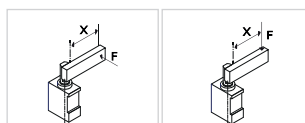
*: TOLERANCE BETWEEN DOWELS ± 0,02, BETWEEN SCREW HOLES ± 0,1

Subject to technical modifications without notice

Rev. 00 12.06.20


ULR50__IXK0
4 STROKE
4

- 015 = 15 mm
- 025 = 25 mm
- 040 = 40 mm
- 050 = 50 mm
- 060 = 60 mm



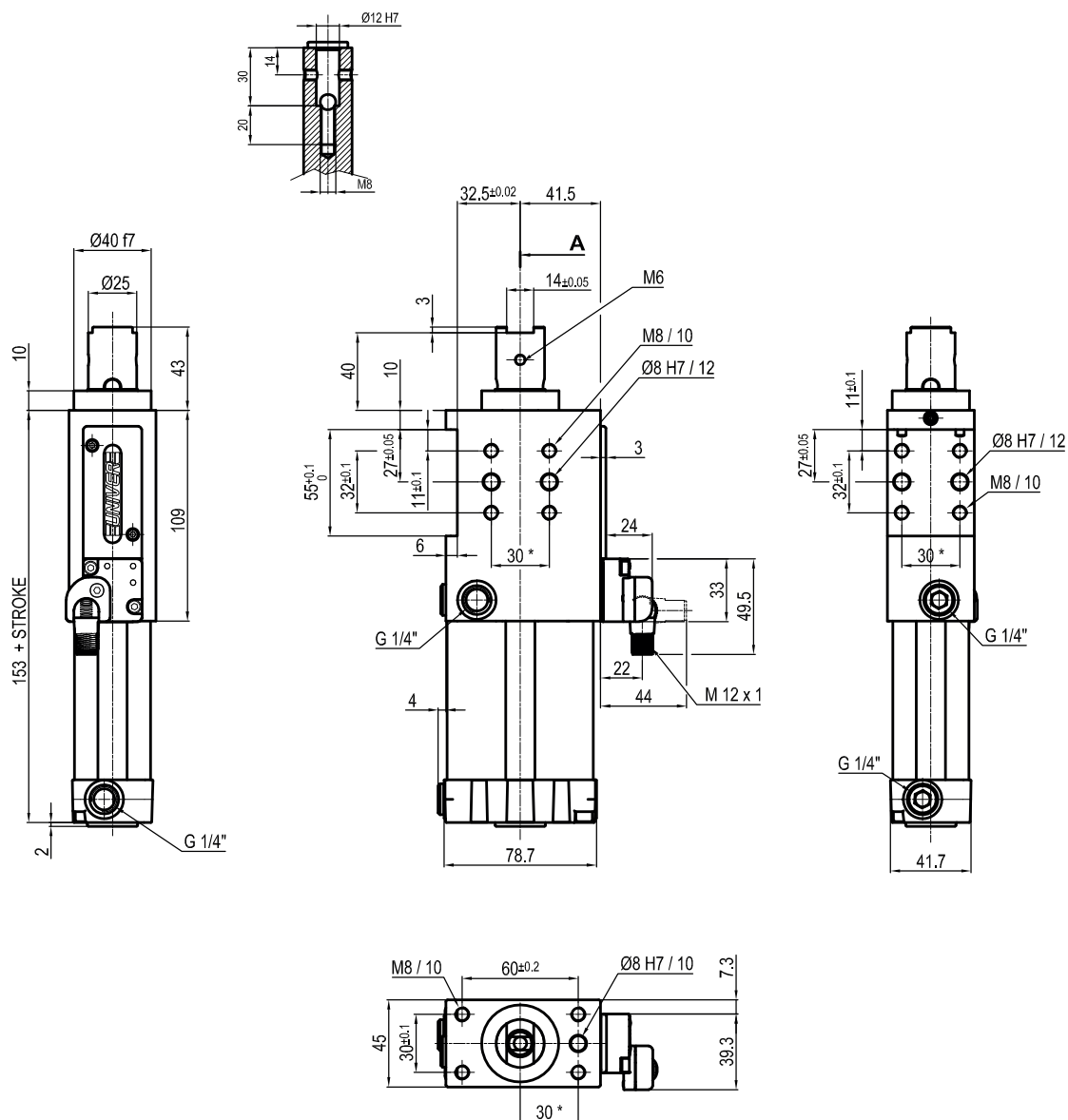
Bore Ø	Max. pull force 0,5 MPa	Max. push force 0,5 MPa	Max. torque 6 Nm X=100 mm	Max. deflection moment 7,5 Nm X=100 mm	Weight
50 mm	860 N	960 N	± 0.06 mm	± 0.03 mm	1,9 Kg

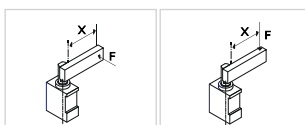
Min./Max. operating pressure: **0,4 / 0,6 MPa**
 Operating temperature: **5° ± 45° C**
 Strokes in mm: **15 - 25 - 40 - 50 - 60**
 Electronic sensor with M12 swivel connector, from 0° to 90°
 Supply voltage: **10 ÷ 30 Vdc**
 IP code: **IP 65**

* : TOLERANCE BETWEEN DOWELS ± 0,02, BETWEEN SCREW HOLES ± 0,1

Subject to technical modifications without notice

Rev. 00 12.06.20


ULR50__LXK0
4 STROKE
4

 015 = 15 mm
 025 = 25 mm
 040 = 40 mm
 050 = 50 mm
 060 = 60 mm


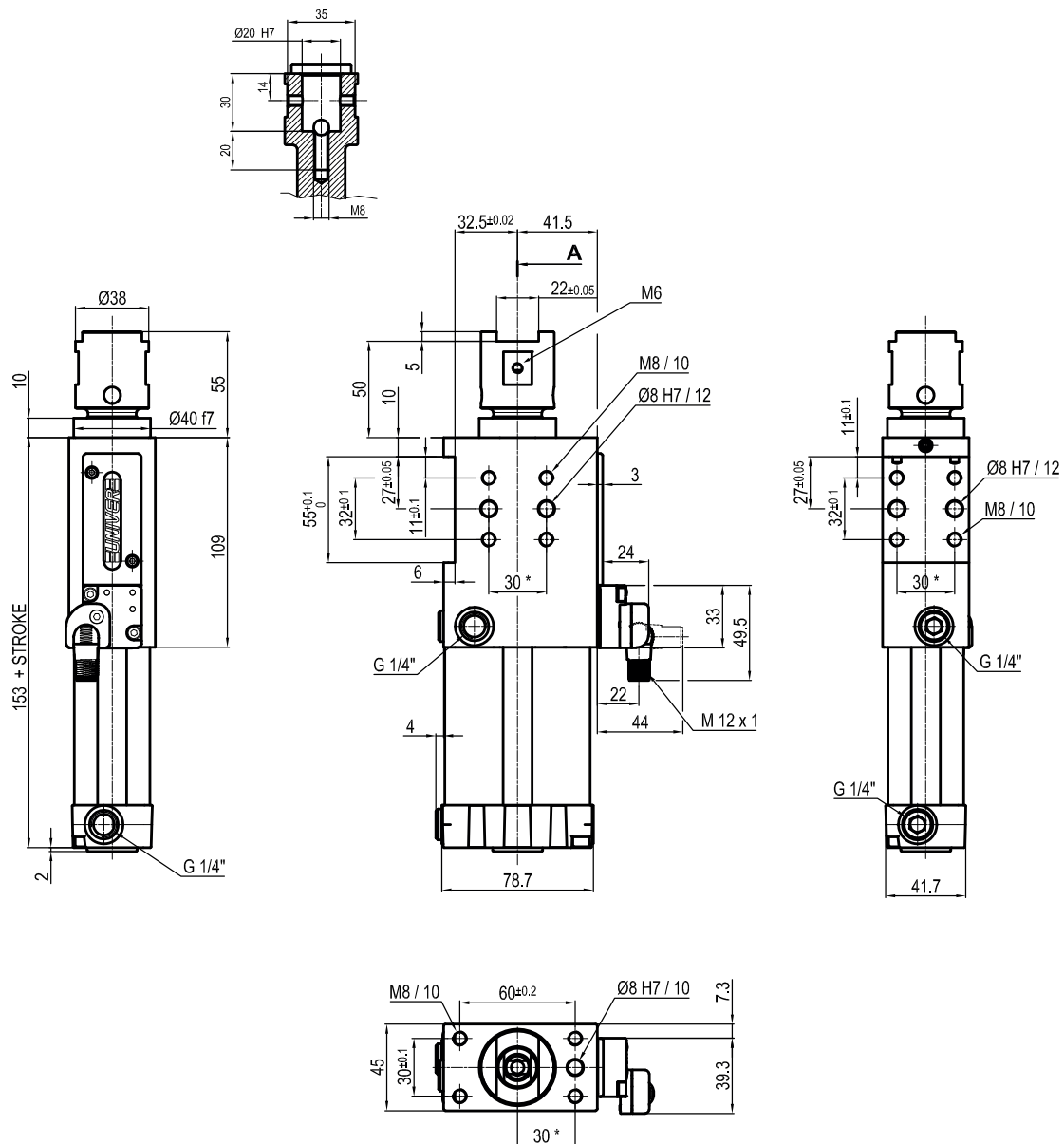
Bore Ø	Max. pull force 0,5 MPa	Max. push force 0,5 MPa	Max. torque 6 Nm X=100 mm	Max. deflection moment 7,5 Nm X=100 mm	Weight
50 mm	860 N	960 N	± 0.06 mm	± 0.03 mm	1,9 Kg

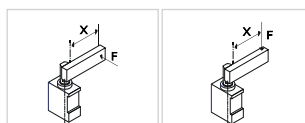
 Min./Max. operating pressure: **0,4 / 0,6 MPa**
 Operating temperature: **5° ± 45° C**
 Strokes in mm.: **15 - 25 - 40 - 50 - 60**
 Electronic sensor with M12 swivel connector, from 0° to 90°
 Supply voltage: **10 ÷ 30 Vdc**
 IP code: **IP 65**

*: TOLERANCE BETWEEN DOWELS ± 0,02, BETWEEN SCREW HOLES ± 0,1

Subject to technical modifications without notice

Rev. 01 19.10.20


ULR50__MXK0
4 STROKE
4

 015 = 15 mm
 025 = 25 mm
 040 = 40 mm
 050 = 50 mm
 060 = 60 mm


Bore Ø	Max. pull force 0,5 MPa	Max. push force 0,5 MPa	Max. torque 6 Nm X=100 mm	Max. deflection moment 7,5 Nm X=100 mm	Weight
50 mm	860 N	960 N	± 0.06 mm	± 0.03 mm	1,9 Kg

 Min./Max. operating pressure: **0,4 / 0,6 MPa**
 Operating temperature: **5° ± 45° C**
 Strokes in mm.: **15 - 25 - 40 - 50 - 60**
 Electronic sensor with M12 swivel connector, from 0° to 90°
 Supply voltage: **10 ÷ 30 Vdc**
 IP code: **IP 65**

*: TOLERANCE BETWEEN DOWELS ± 0,02, BETWEEN SCREW HOLES ± 0,1

Subject to technical modifications without notice

Rev. 01 19.10.20