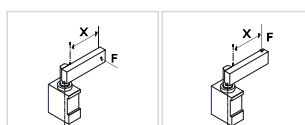


ULM50__A_K0

4 STROKE 6 ROD ORIENTATION

4 6

- 015 = 15 mm
 - 025 = 25 mm
 - 040 = 40 mm
 - 050 = 50 mm
 - 060 = 60 mm
- E = East
 - O = West
 - N = North
 - S = South

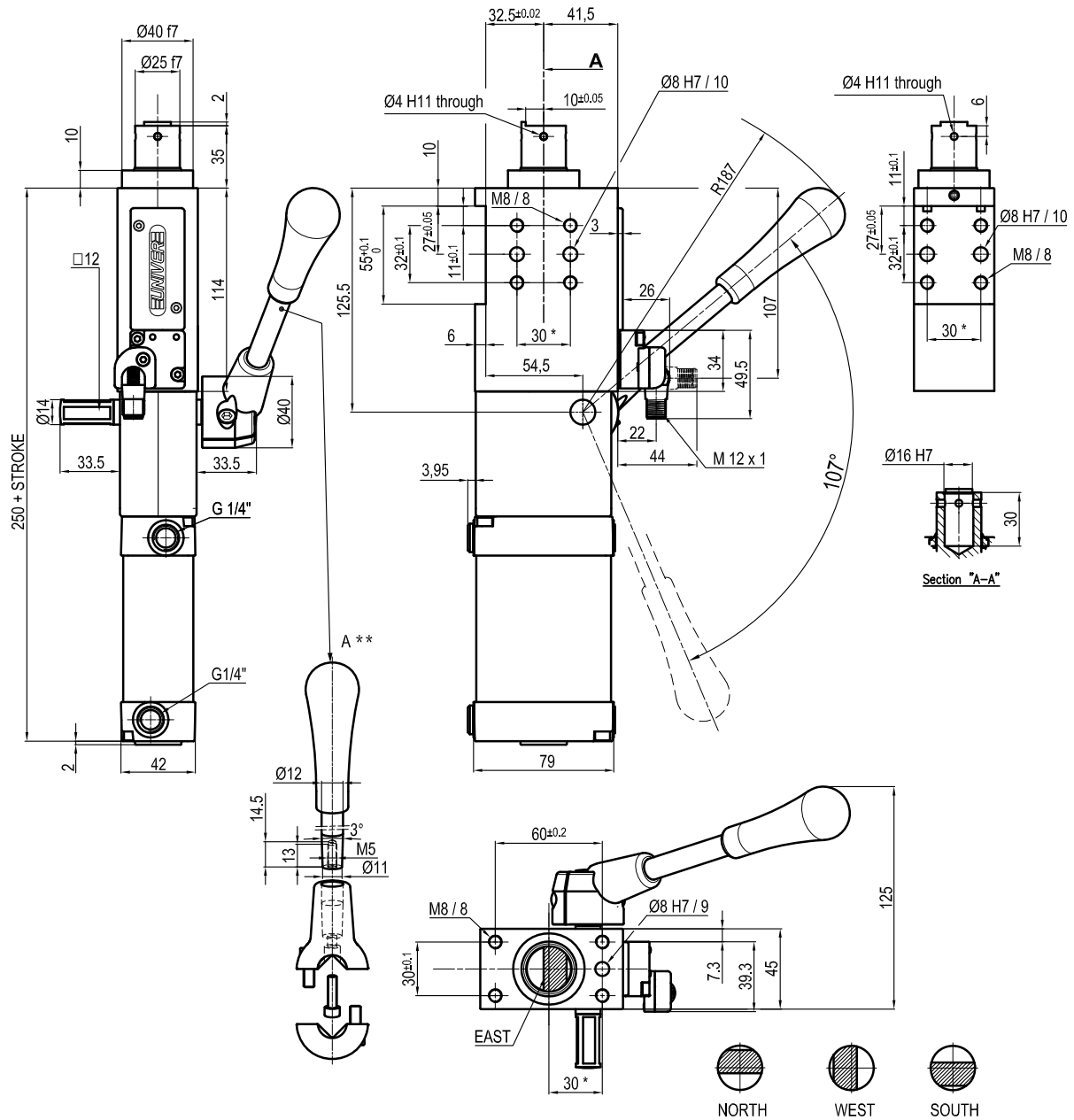


Bore Ø	Max. pull force 0,5 MPa	Max. push force 0,5 MPa	Max. torque 6 Nm X=100 mm	Max. deflection moment 7,5 Nm X=100 mm	Weight
50 mm	560 N	615 N	± 0,06 mm	± 0,03 mm	3,4 Kg

Min./Max. operating pressure: **0,4 / 0,6 MPa**
 Operating temperature: **5° ± 45° C**
 Strokes in mm.: **15 - 25 - 40 - 50 - 60**
 With hand lever
 Electronic sensor with M12 swivel connector, from 0° to 90°
 Supply voltage: **10 ± 30 Vdc**
 IP code: **IP 65**
 Pneumatic ports on both sides

* : TOLERANCE BETWEEN DOWELS ± 0,02, BETWEEN SCREW HOLES ± 0,1
 ** : DIMENSIONS TO BE RESPECTED IN CASE OTHER MANUAL LEVERS ARE USED

Subject to technical modifications without notice

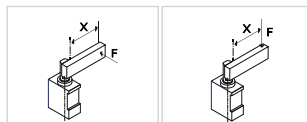


ULM50__BXK0

4 STROKE

4

- 015 = 15 mm
- 025 = 25 mm
- 040 = 40 mm
- 050 = 50 mm
- 060 = 60 mm

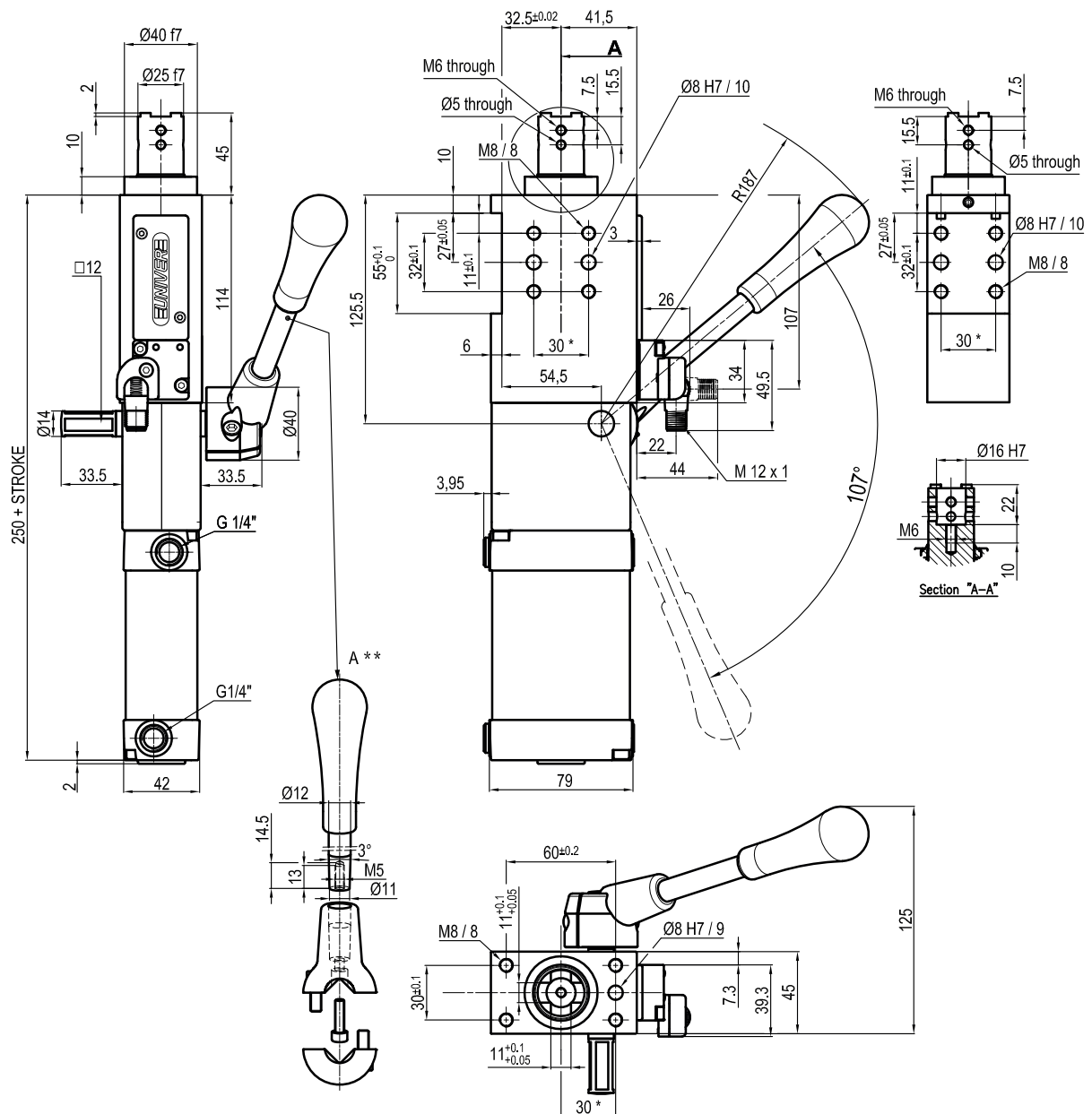


Bore Ø	Max. pull force 0,5 MPa	Max. push force 0,5 MPa	Max. torque 6 Nm X=100 mm	Max. deflection moment 7,5 Nm X=100 mm	Weight
50 mm	560 N	615 N	± 0,06 mm	± 0,03 mm	3,4 Kg

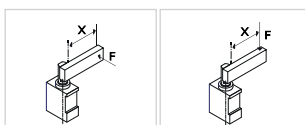
Min./Max. operating pressure: **0,4 / 0,6 MPa**
 Operating temperature: **5° ± 45° C**
 Strokes in mm.: **15 - 25 - 40 - 50 - 60**
 With hand lever
 Electronic sensor with M12 swivel connector, from 0° to 90°
 Supply voltage: **10 ÷ 30 Vdc**
 IP code: **IP 65**
 Pneumatic ports on both sides

* : TOLERANCE BETWEEN DOWELS ± 0,02, BETWEEN SCREW HOLES ± 0,1
 ** : DIMENSIONS TO BE RESPECTED IN CASE OTHER MANUAL LEVERS ARE USED

Subject to technical modifications without notice


ULM50__CXK0
4 STROKE
4

015 = 15 mm
 025 = 25 mm
 040 = 40 mm
 050 = 50 mm
 060 = 60 mm

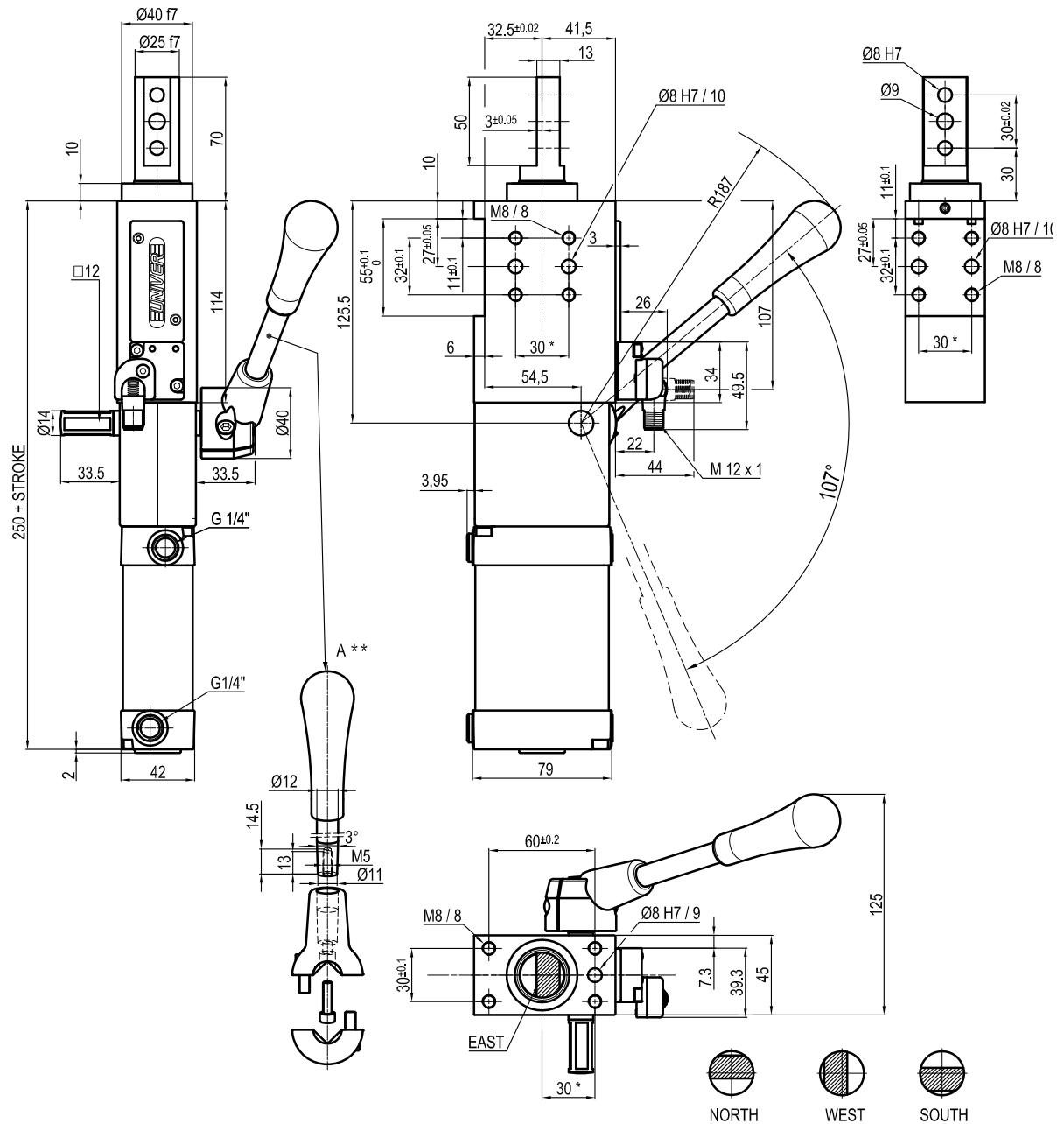


Bore Ø	Max. pull force 0,5 MPa	Max. push force 0,5 MPa	Max. torque 6 Nm X=100 mm	Max. deflection moment 7,5 Nm X=100 mm	Weight
50 mm	560 N	615 N	± 0,06 mm	± 0,03 mm	3,4 Kg

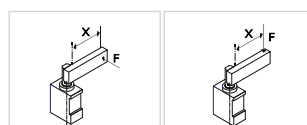
Min./Max. operating pressure: **0,4 / 0,6 MPa**
 Operating temperature: **5° ± 45° C**
 Strokes in mm.: **15 - 25 - 40 - 50 - 60**
 With hand lever
 Electronic sensor with M12 swivel connector, from 0° to 90°
 Supply voltage: **10 ± 30 Vdc**
 IP code: **IP 65**
 Pneumatic ports on both sides

* : TOLERANCE BETWEEN DOWELS ± 0,02, BETWEEN SCREW HOLES ± 0,1
 ** : DIMENSIONS TO BE RESPECTED IN CASE OTHER MANUAL LEVERS ARE USED

Subject to technical modifications without notice


ULM50__D_K0
4 STROKE **6 ROD ORIENTATION**
4

 015 = 15 mm
 025 = 25 mm
 040 = 40 mm
 050 = 50 mm
 060 = 60 mm

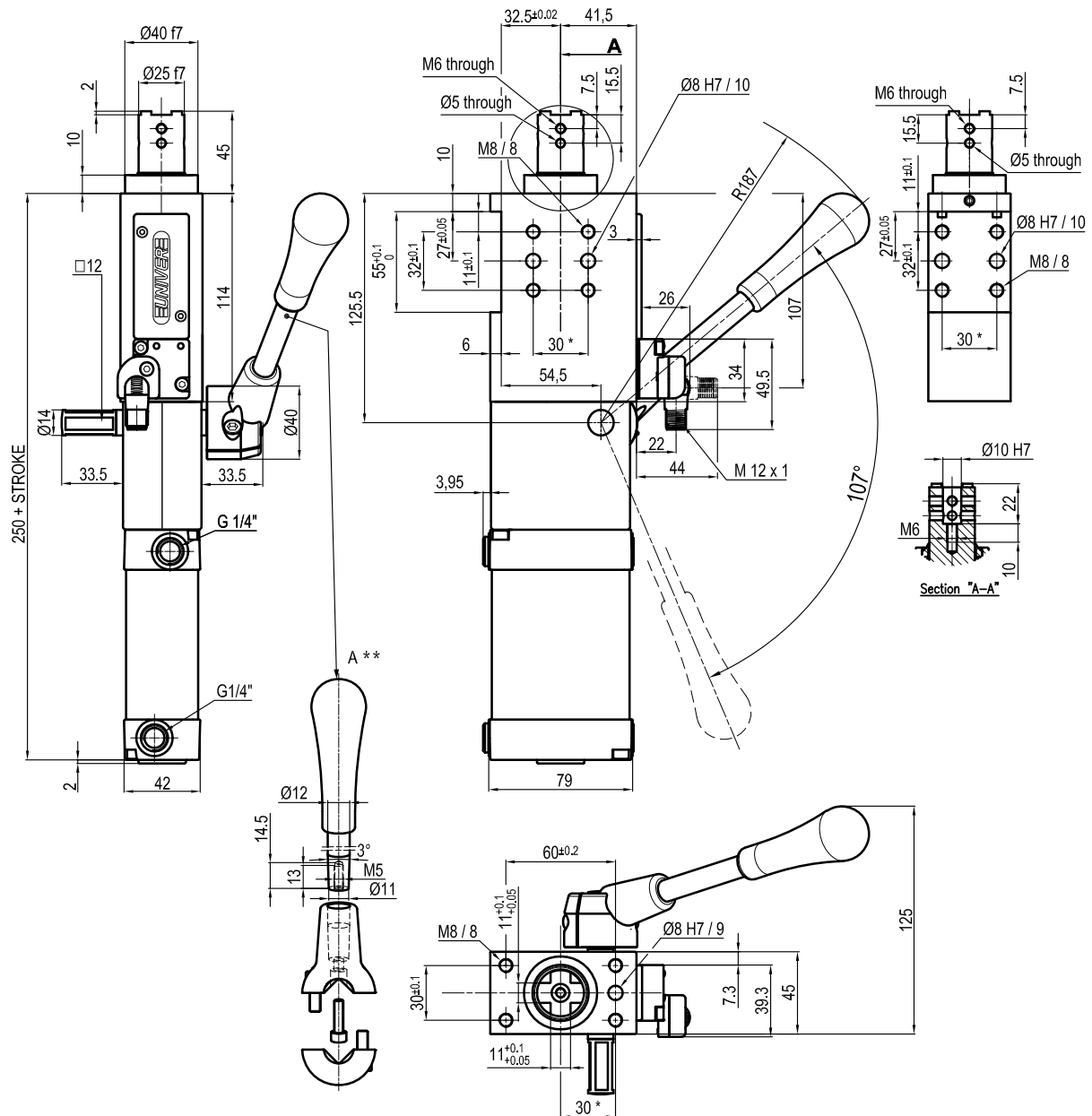
 E = East
 O = West
 N = North
 S = South


Bore \varnothing	Max. pull force 0,5 MPa	Max. push force 0,5 MPa	Max. torque 6 Nm X=100 mm	Max. deflection moment 7,5 Nm X=100 mm	Weight
50 mm	560 N	615 N	$\pm 0,06$ mm	$\pm 0,03$ mm	3,4 Kg

 Min./Max. operating pressure: **0,4 / 0,6 MPa**
 Operating temperature: **5° ± 45° C**
 Strokes in mm.: **15 - 25 - 40 - 50 - 60**
 With hand lever
 Electronic sensor with M12 swivel connector, from 0° to 90°
 Supply voltage: **10 ± 30 Vdc**
 IP code: **IP 65**
 Pneumatic ports on both sides

 *: TOLERANCE BETWEEN DOWELS $\pm 0,02$, BETWEEN SCREW HOLES $\pm 0,1$
 **: DIMENSIONS TO BE RESPECTED IN CASE OTHER MANUAL LEVERS ARE USED

Subject to technical modifications without notice

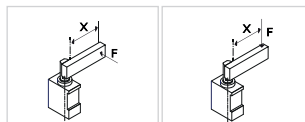


ULM50__EXK0

4 STROKE

4

015 = 15 mm
 025 = 25 mm
 040 = 40 mm
 050 = 50 mm
 060 = 60 mm

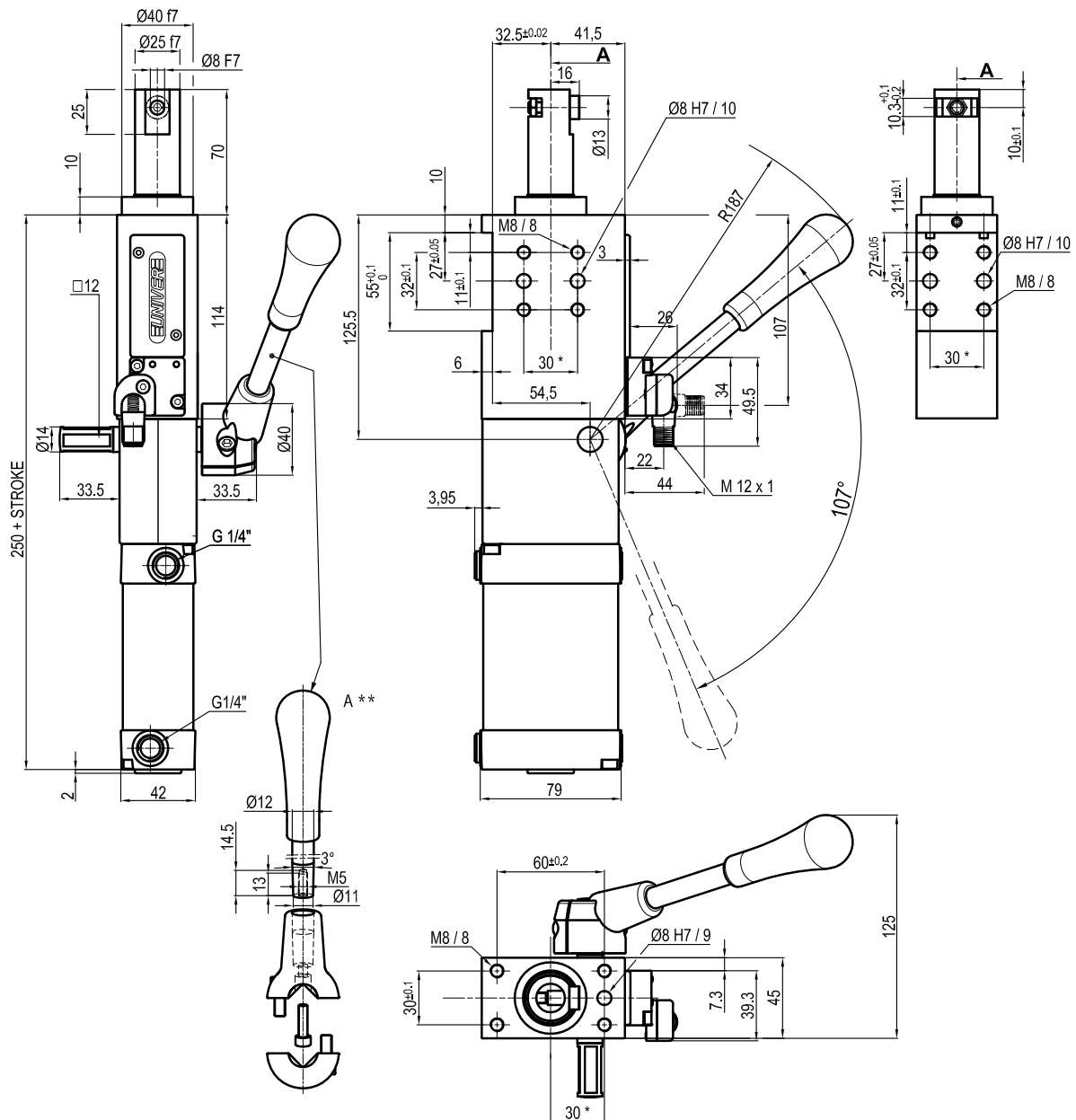


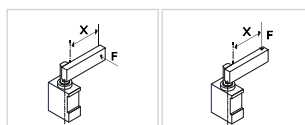
Bore Ø	Max. pull force 0,5 MPa	Max. push force 0,5 MPa	Max. torque 6 Nm X=100 mm	Max. deflection moment 7,5 Nm X=100 mm	Weight
50 mm	560 N	615 N	± 0,06 mm	± 0,03 mm	3,4 Kg

Min./Max. operating pressure: **0,4 / 0,6 MPa**
 Operating temperature: **5° ± 45° C**
 Strokes in mm.: **15 - 25 - 40 - 50 - 60**
 With hand lever
 Electronic sensor with M12 swivel connector, from 0° to 90°
 Supply voltage: **10 ÷ 30 Vdc**
 IP code: **IP 65**
 Pneumatic ports on both sides

* : TOLERANCE BETWEEN DOWELS ± 0,02, BETWEEN SCREW HOLES ± 0,1
 **: DIMENSIONS TO BE RESPECTED IN CASE OTHER MANUAL LEVERS ARE USED

Subject to technical modifications without notice


ULM50__FXK0
4 STROKE
4

 015 = 15 mm
 025 = 25 mm
 040 = 40 mm
 050 = 50 mm
 060 = 60 mm


Bore Ø	Max. pull force 0,5 MPa	Max. push force 0,5 MPa	Max. torque 6 Nm X=100 mm	Max. deflection moment 7,5 Nm X=100 mm	Weight
50 mm	560 N	615 N	± 0,06 mm	± 0,03 mm	3,4 Kg

 Min./Max. operating pressure: **0,4 / 0,6 MPa**

 Operating temperature: **5° ± 45° C**

 Strokes in mm.: **15 - 25 - 40 - 50 - 60**

With hand lever

Electronic sensor with M12 swivel connector, from 0° to 90°

 Supply voltage: **10 ÷ 30 Vdc**

 IP code: **IP 65**

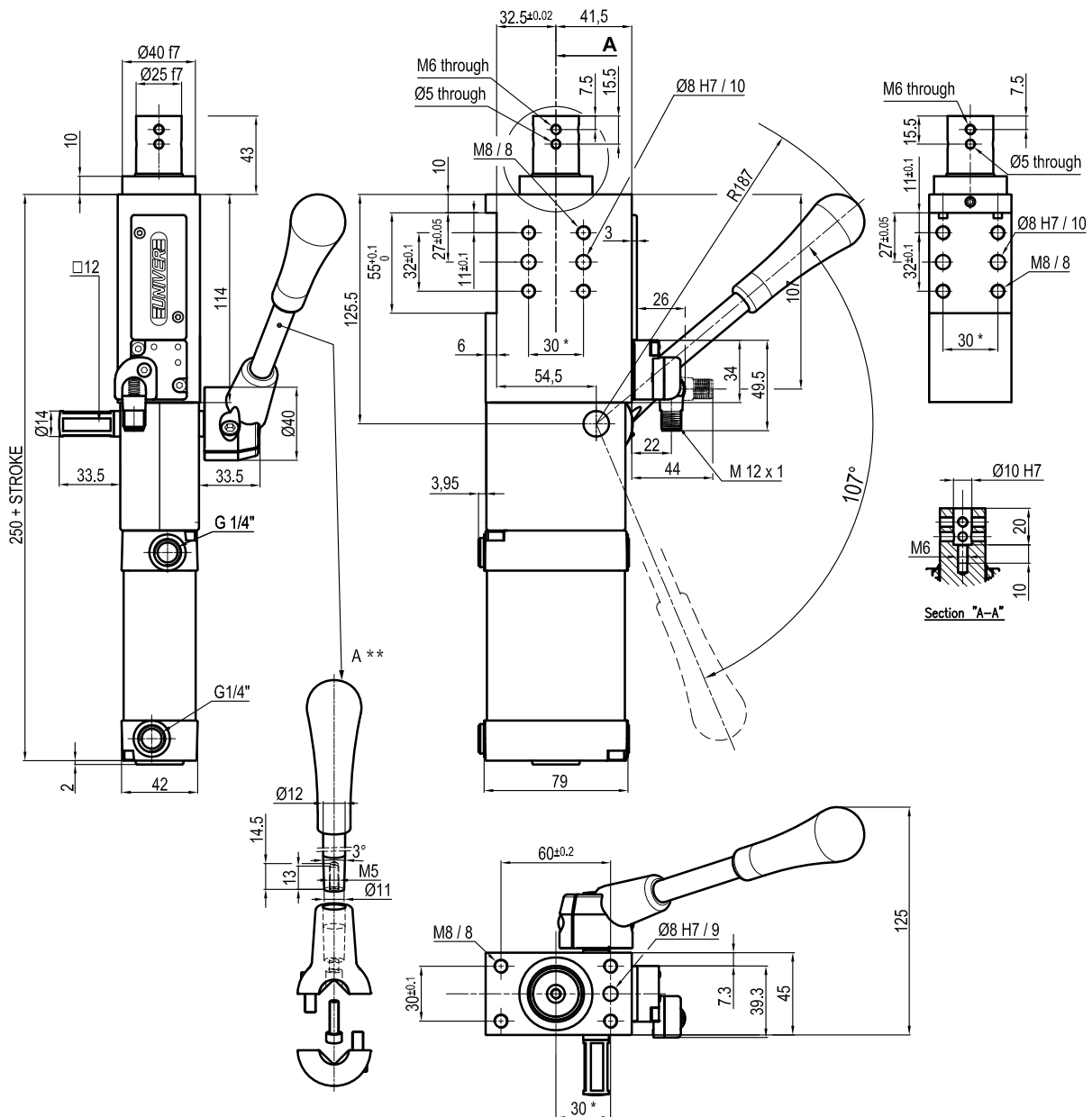
Pneumatic ports on both sides

*: TOLERANCE BETWEEN DOWELS ± 0,02, BETWEEN SCREW HOLES ± 0,1

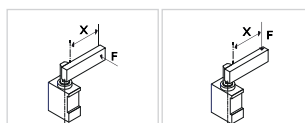
**: DIMENSIONS TO BE RESPECTED IN CASE OTHER MANUAL LEVERS ARE USED

Subject to technical modifications without notice

Rev. 01 09.11.21


ULM50__HXK0
4 STROKE
4

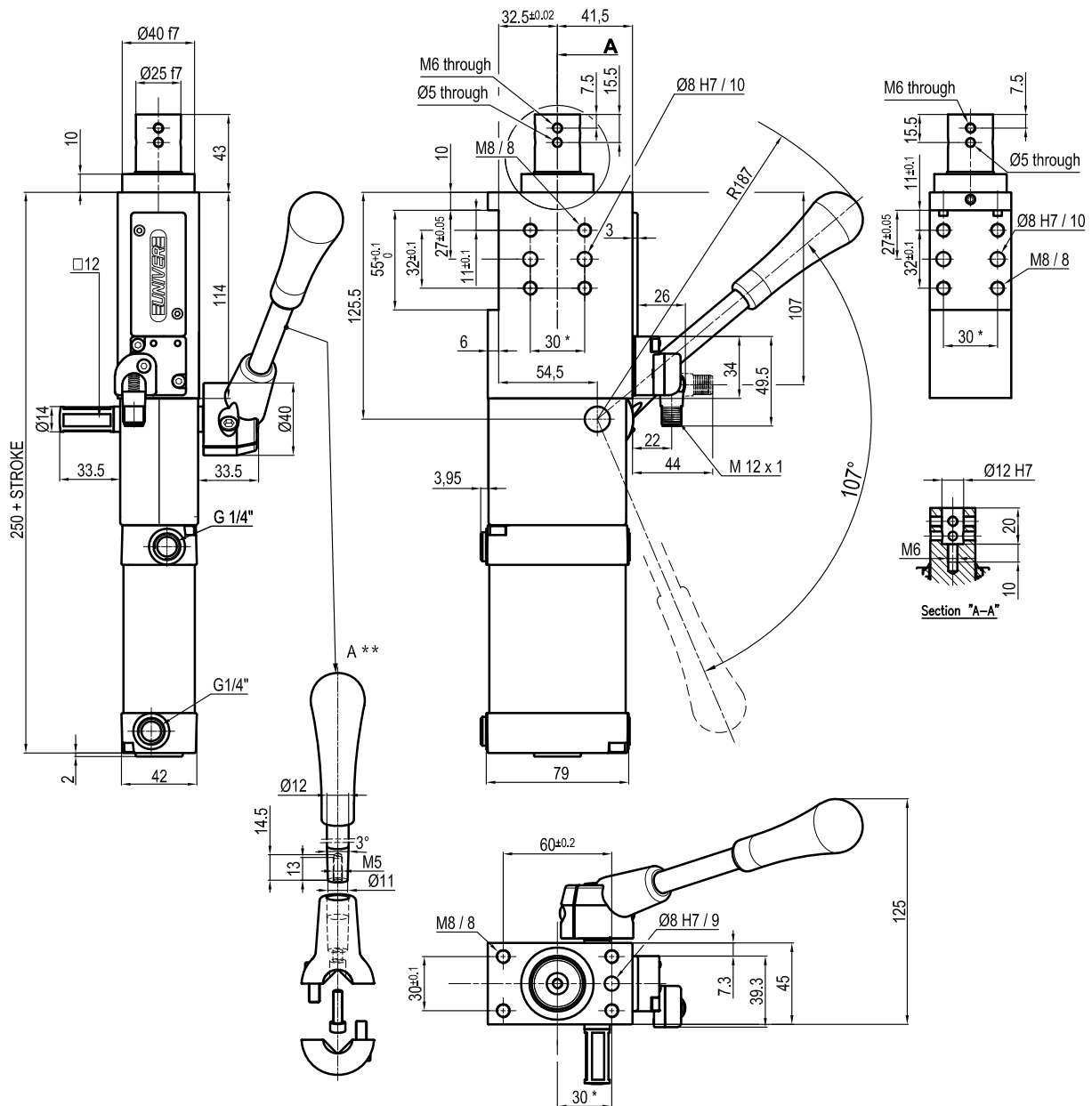
015 = 15 mm
 025 = 25 mm
 040 = 40 mm
 050 = 50 mm
 060 = 60 mm



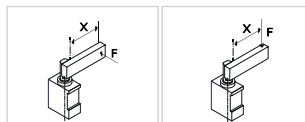
Bore Ø	Max. pull force 0,5 MPa	Max. push force 0,5 MPa	Max. torque 6 Nm X=100 mm	Max. deflection moment 7,5 Nm X=100 mm	Weight
50 mm	560 N	615 N	± 0,06 mm	± 0,03 mm	3,4 Kg

Min./Max. operating pressure: **0,4 / 0,6 MPa**
 Operating temperature: **5° ± 45° C**
 Strokes in mm.: **15 - 25 - 40 - 50 - 60**
 With hand lever
 Electronic sensor with M12 swivel connector, from 0° to 90°
 Supply voltage: **10 ± 30 Vdc**
 IP code: **IP 65**
 Pneumatic ports on both sides

* : TOLERANCE BETWEEN DOWELS ± 0,02, BETWEEN SCREW HOLES ± 0,1
 ** : DIMENSIONS TO BE RESPECTED IN CASE OTHER MANUAL LEVERS ARE USED


ULM50__IXK0
4 STROKE
4

015 = 15 mm
 025 = 25 mm
 040 = 40 mm
 050 = 50 mm
 060 = 60 mm



Bore Ø	Max. pull force 0,5 MPa	Max. push force 0,5 MPa	Max. torque 6 Nm X=100 mm	Max. deflection moment 7,5 Nm X=100 mm	Weight
50 mm	560 N	615 N	± 0,06 mm	± 0,03 mm	3,4 Kg

 Min./Max. operating pressure: **0,4 / 0,6 MPa**

 Operating temperature: **5° ± 45° C**

 Strokes in mm.: **15 - 25 - 40 - 50 - 60**

With hand lever

Electronic sensor with M12 swivel connector, from 0° to 90°

 Supply voltage: **10 ± 30 Vdc**

 IP code: **IP 65**

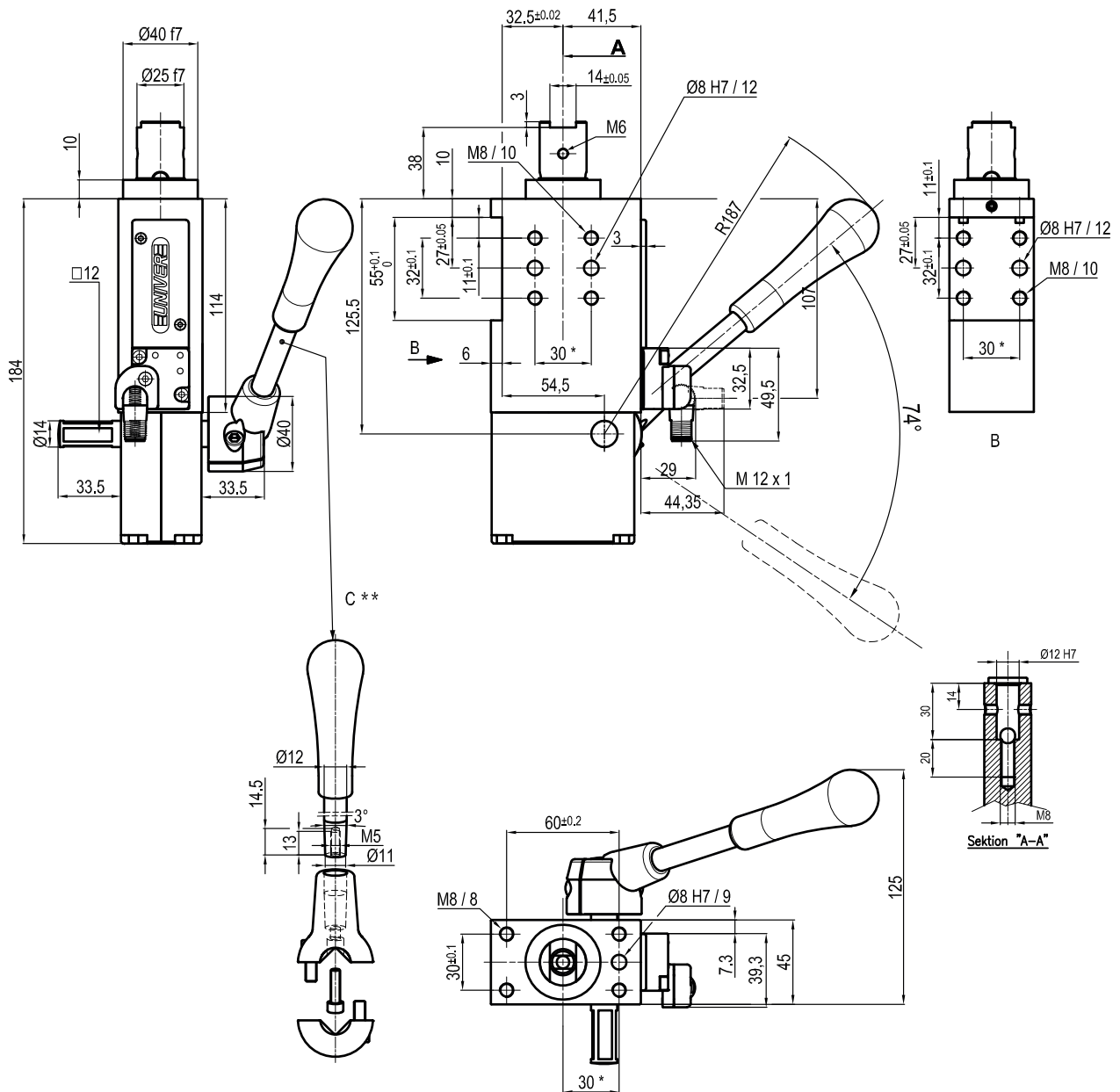
Pneumatic ports on both sides

*: TOLERANCE BETWEEN DOWELS ± 0,02, BETWEEN SCREW HOLES ± 0,1

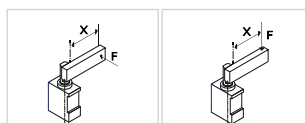
**: DIMENSIONS TO BE RESPECTED IN CASE OTHER MANUAL LEVERS ARE USED

Technische Änderungen vorbehalten

Rev. 01 09.11.21


ULM50__LXK0
4 STROKE
4

015 = 15 mm
 025 = 25 mm
 040 = 40 mm
 050 = 50 mm
 060 = 60 mm



Bore Ø	Max. pull force 0,5 MPa	Max. push force 0,5 MPa	Max. torque 6 Nm X=100 mm	Max. deflection moment 7,5 Nm X=100 mm	Weight
50 mm	560 N	615 N	± 0,06 mm	± 0,03 mm	3,4 Kg

 Min./Max. operating pressure: **0,4 / 0,6 MPa**

 Operating temperature: **5° ± 45° C**

 Strokes in mm.: **15 - 25 - 40 - 50 - 60**

With hand lever

Electronic sensor with M12 swivel connector, from 0° to 90°

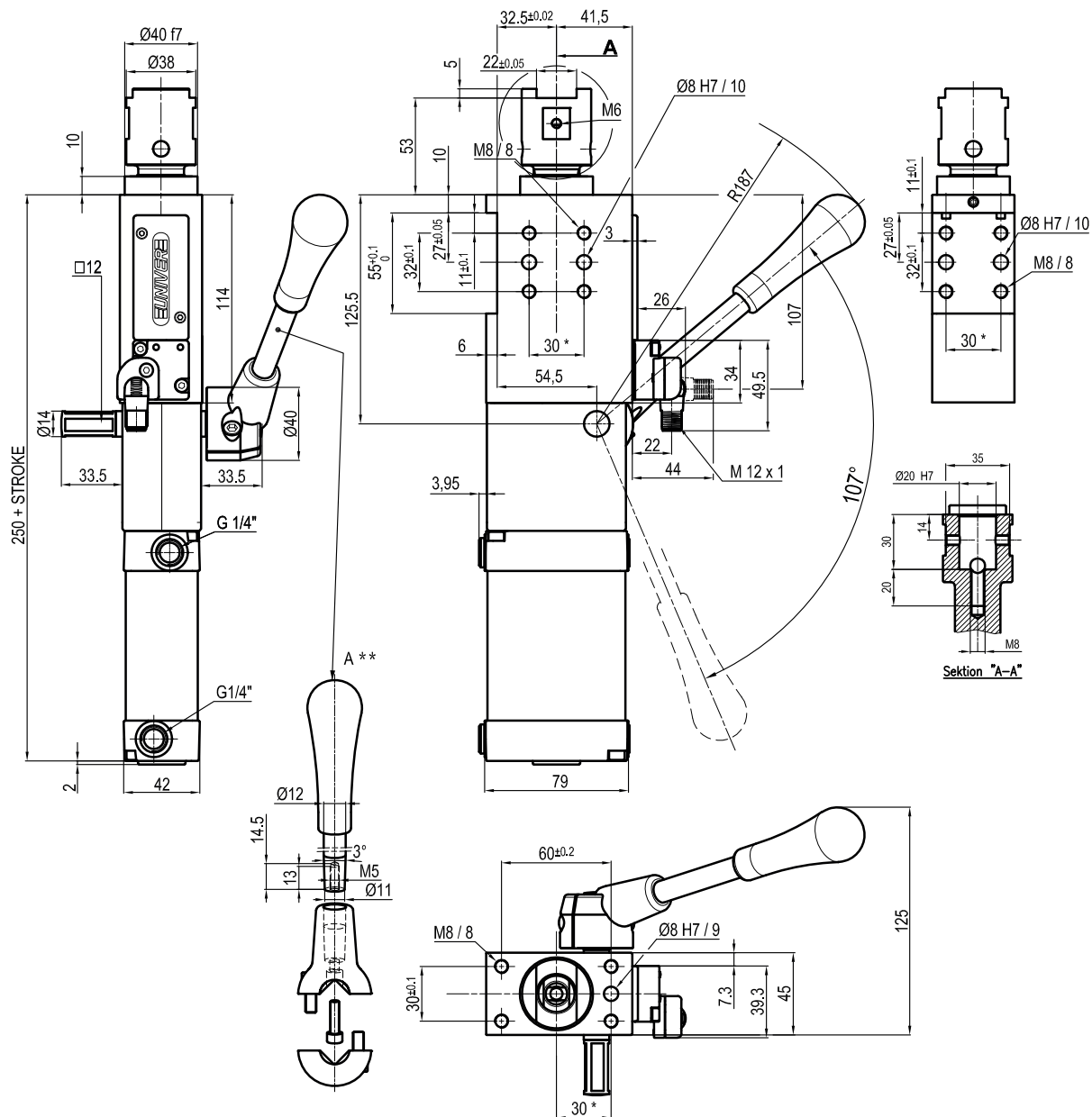
 Supply voltage: **10 ± 30 Vdc**

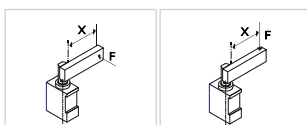
 IP code: **IP 65**

Pneumatic ports on both sides

* : TOLERANCE BETWEEN DOWELS ± 0,02, BETWEEN SCREW HOLES ± 0,1
 ** : DIMENSIONS TO BE RESPECTED IN CASE OTHER MANUAL LEVERS ARE USED

Subject to technical modifications without notice


ULM50__MXK0
4 STROKE
4

 015 = 15 mm
 025 = 25 mm
 040 = 40 mm
 050 = 50 mm
 060 = 60 mm


Bore Ø	Max. pull force 0,5 MPa	Max. push force 0,5 MPa	Max. torque 6 Nm X=100 mm	Max. deflection moment 7,5 Nm X=100 mm	Weight
50 mm	560 N	615 N	± 0,06 mm	± 0,03 mm	3,4 Kg

 Min./Max. operating pressure: **0,4 / 0,6 MPa**

 Operating temperature: **5° ± 45° C**

 Strokes in mm.: **15 - 25 - 40 - 50 - 60**

With hand lever

Electronic sensor with M12 swivel connector, from 0° to 90°

 Supply voltage: **10 ± 30 Vdc**

 IP code: **IP 65**

Pneumatic ports on both sides

*: TOLERANCE BETWEEN DOWELS ± 0,02, BETWEEN SCREW HOLES ± 0,1

**: DIMENSIONS TO BE RESPECTED IN CASE OTHER MANUAL LEVERS ARE USED

Subject to technical modifications without notice

Rev. 01 09.11.21