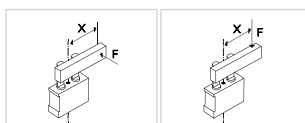


ULA40\_\_AAK0

4 STROKE

4

020 = 20 mm  
040 = 40 mm



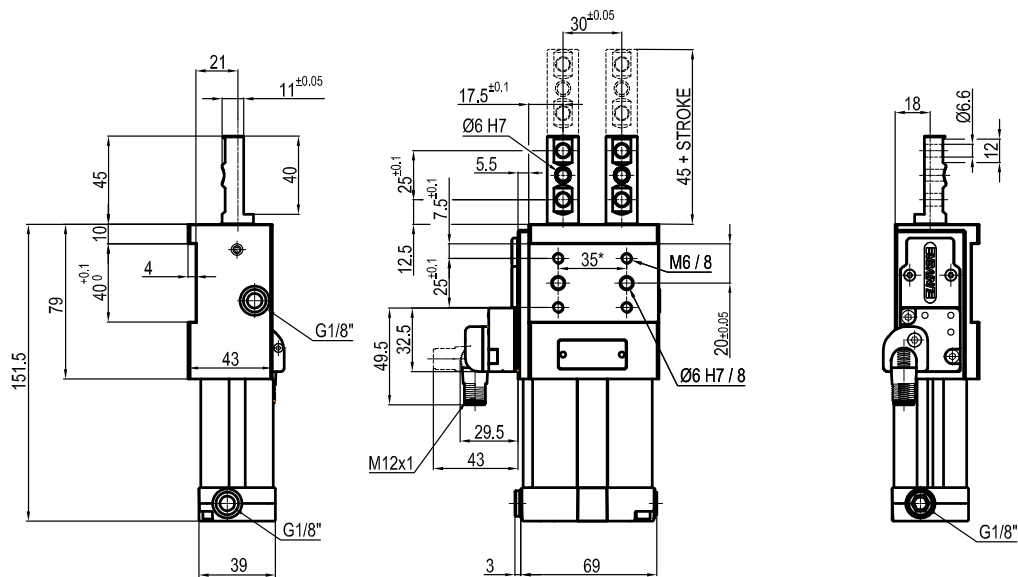
| Bore Ø | Max. pull force<br>0,5 MPa | Max. push force<br>0,5 MPa | Max. torque<br>3 Nm<br>X=100 mm | Max. deflection moment 6 Nm<br>X=100 mm | Weight |
|--------|----------------------------|----------------------------|---------------------------------|---|--------|
| 40 mm  | 400 N                      | 600 N                      | ±0,06 mm                        | ±0,03 mm                                | 1,3 Kg |

Min./Max. operating pressure: **0,4 / 0,6 MPa**  
 Operating temperature: **5° ÷ 45° C**  
 Strokes in mm: **20 - 40**  
 Electronic sensor with M12 swivel connector, from 0° to 90°  
 Supply voltage: **10 ÷ 30 Vdc**  
 IP code: **IP 65**  
 Pneumatic ports on both sides

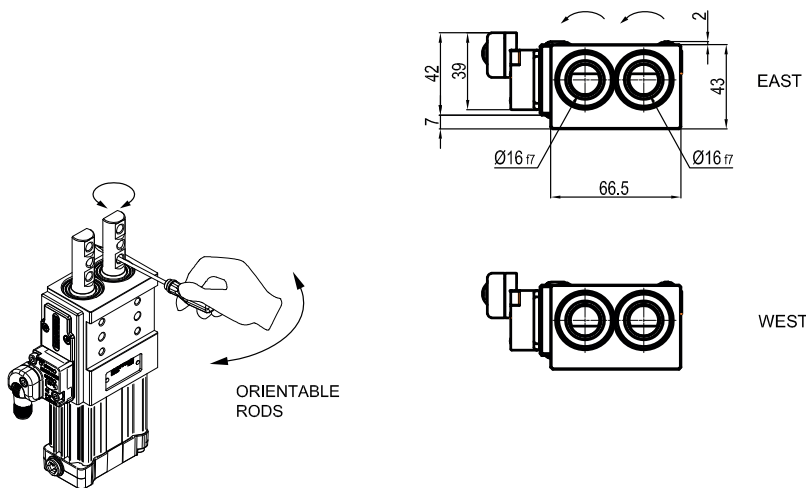
\* : TOLERANCE BETWEEN DOWELS ± 0,02, BETWEEN SCREW HOLES ± 0,1

Subject to technical modifications without notice

Rev. 00 31.07.20



ORIENTABLE RODS

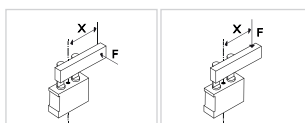


ULA40\_\_ASK0

4 STROKE

4

020 = 20 mm  
040 = 40 mm



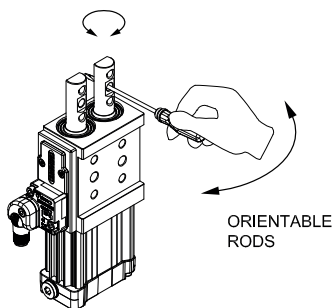
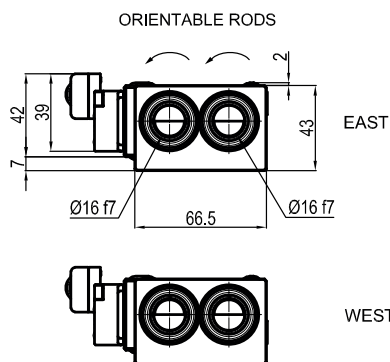
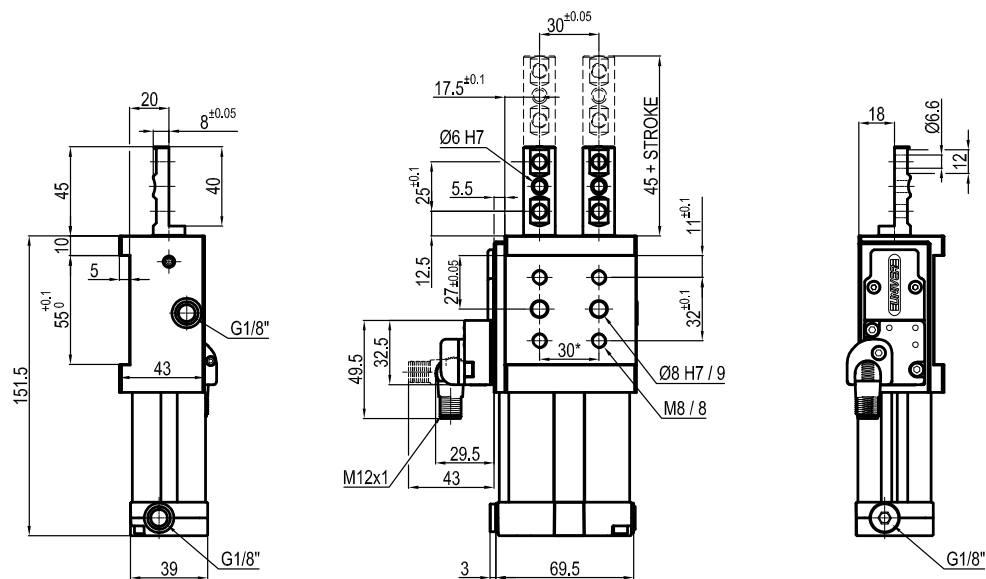
| Bore Ø | Max. pull force<br>0,5 MPa | Max. push force<br>0,5 MPa | Max. torque<br>3 Nm<br>X=100 mm | Max. deflection moment<br>6 Nm<br>X=100 mm | Weight |
|--------|----------------------------|----------------------------|---------------------------------|--|--------|
| 40 mm  | 400 N                      | 600 N                      | ±0,06 mm                        | ±0,03 mm                                   | 1,3 Kg |

Min./Max. operating pressure: **0,4 / 0,6 MPa**  
 Operating temperature: **5° ÷ 45° C**  
 Strokes in mm: **20 - 40**  
 Electronic sensor with M12 swivel connector, from 0° to 90°  
 Supply voltage: **10 ÷ 30 Vdc**  
 IP code: **IP 65**  
 Pneumatic ports on both sides

\* : TOLERANCE BETWEEN DOWELS ± 0,02, BETWEEN SCREW HOLES ± 0,1

Subject to technical modifications without notice

Rev. 01 06.11.19

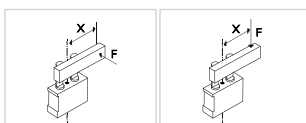


ULA40\_\_GAK0

4 STROKE

4

020 = 20 mm  
040 = 40 mm

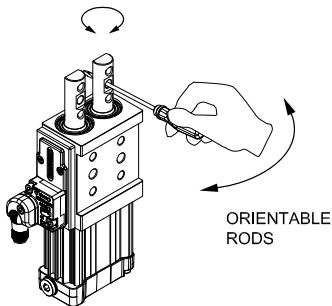
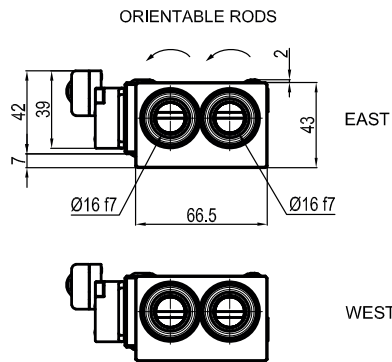
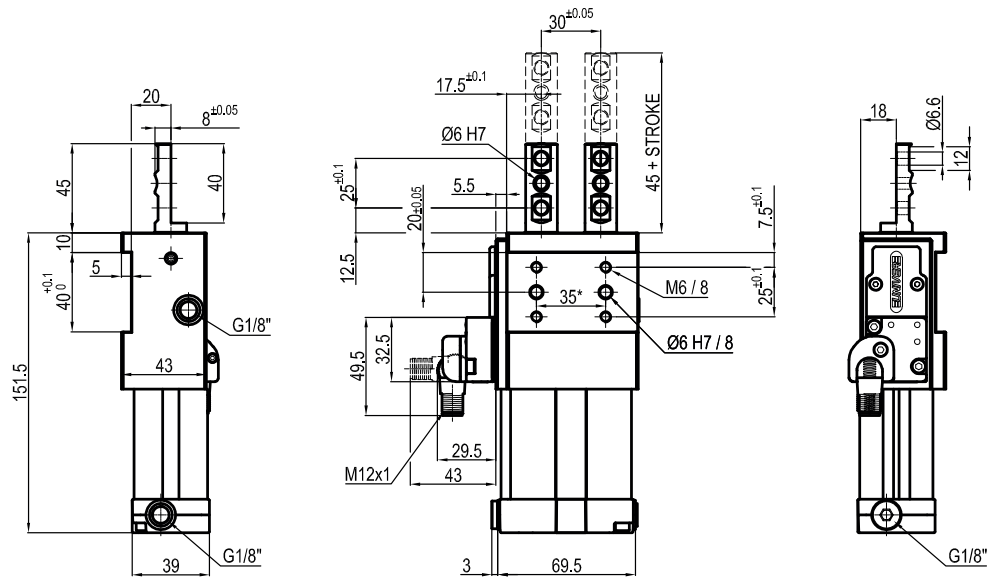


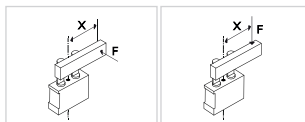
| Bore Ø | Max. pull force<br>0,5 MPa | Max. push force<br>0,5 MPa | Max. torque<br>3 Nm<br>X=100 mm | Max. deflection moment 6 Nm<br>X=100 mm | Weight |
|--------|----------------------------|----------------------------|---------------------------------|---|--------|
| 40 mm  | 400 N                      | 600 N                      | ±0,06 mm                        | ±0,03 mm                                | 1,3 Kg |

Min./Max. operating pressure: **0,4 / 0,6 MPa**  
 Operating temperature: **5° ÷ 45° C**  
 Strokes in mm: **20 - 40**  
 Electronic sensor with M12 swivel connector, from 0° to 90°  
 Supply voltage: **10 ÷ 30 Vdc**  
 IP code: **IP 65**  
 Pneumatic ports on both sides

\* : TOLERANCE BETWEEN DOWELS ± 0,02, BETWEEN SCREW HOLES ± 0,1

Subject to technical modifications without notice


**ULA40\_\_GSK0**
**4 STROKE**
**4**

 020 = 20 mm  
 040 = 40 mm


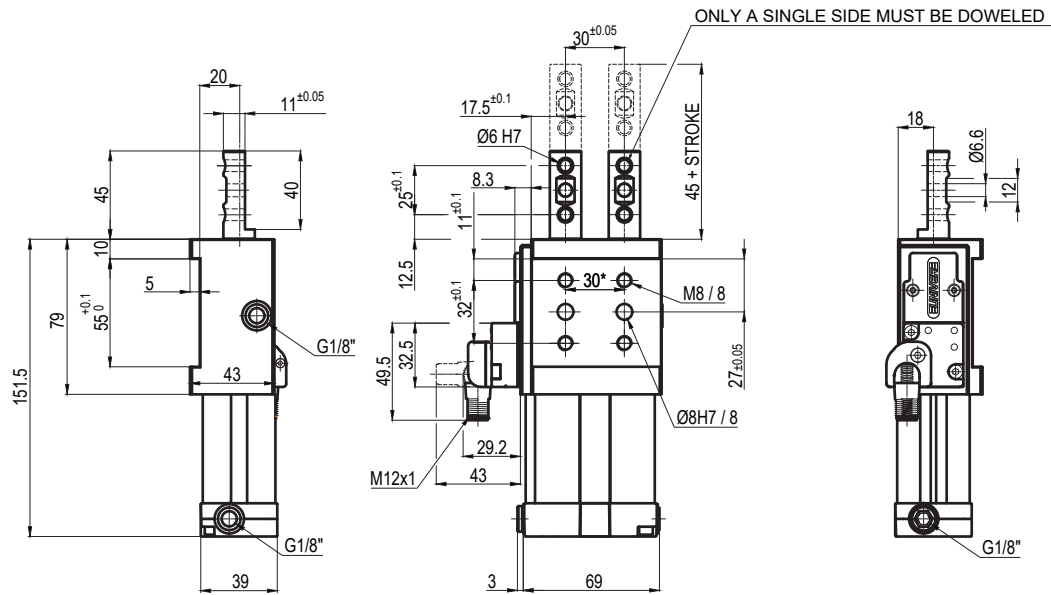
| Bore Ø | Max. pull force<br>0,5 MPa | Max. push force<br>0,5 MPa | Max. torque<br>3 Nm<br>X=100 mm | Max. deflection moment 6 Nm<br>X=100 mm | Weight |
|--------|----------------------------|----------------------------|---------------------------------|---|--------|
| 40 mm  | 400 N                      | 600 N                      | ±0,06 mm                        | ±0,03 mm                                | 1,3 Kg |

Min./Max. operating pressure: **0,4 / 0,6 MPa**  
 Operating temperature: **5° ÷ 45° C**  
 Strokes in mm: **20 - 40**  
 Electronic sensor with M12 swivel connector, from 0° to 90°  
 Supply voltage: **10 ÷ 30 Vdc**  
 IP code: **IP 65**  
 Pneumatic ports on both sides

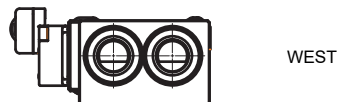
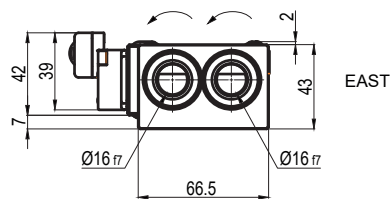
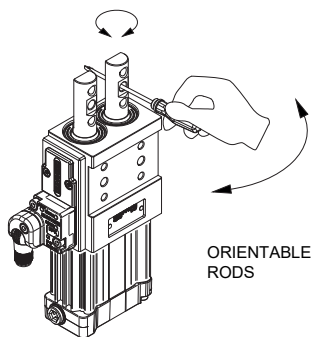
\*: TOLERANCE BETWEEN DOWELS ± 0,02, BETWEEN SCREW HOLES ± 0,1

Subject to technical modifications without notice

Rev. 00 31.07.20



ORIENTABLE RODS

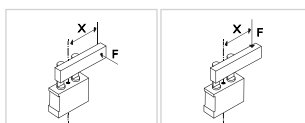


ULA40\_\_NAKO

4 STROKE

4

020 = 20 mm  
040 = 40 mm



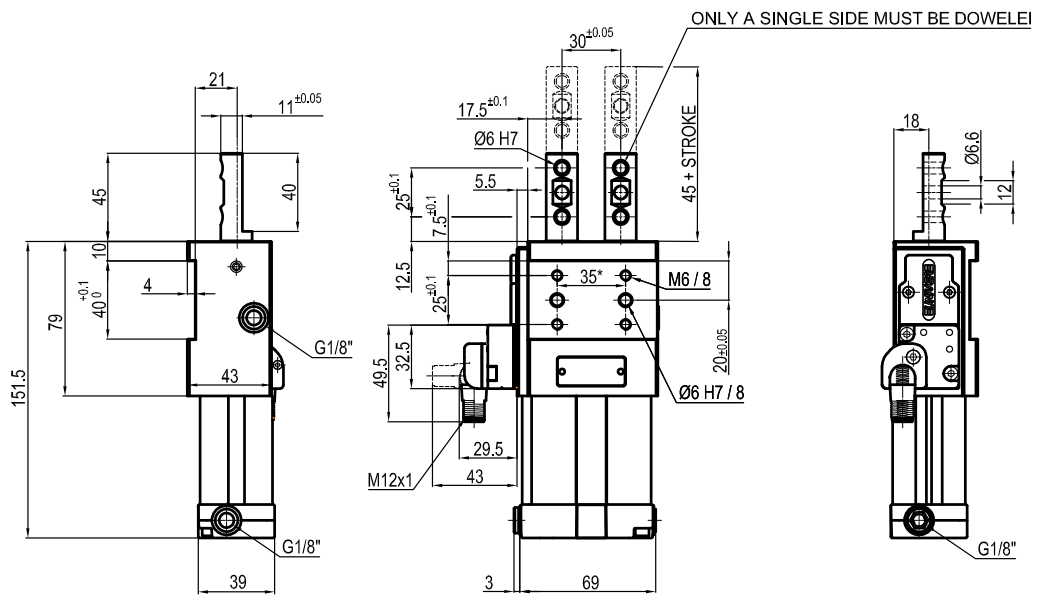
| Bore Ø | Max. pull force<br>0,5 MPa | Max. push force<br>0,5 MPa | Max. torque<br>3 Nm<br>X=100 mm | Max. deflection moment 6 Nm<br>X=100 mm | Weight |
|--------|----------------------------|----------------------------|---------------------------------|---|--------|
| 40 mm  | 400 N                      | 600 N                      | ±0,06 mm                        | ±0,03 mm                                | 1,3 Kg |

Min./Max. operating pressure: **0,4 / 0,6 MPa**  
 Operating temperature: **5° ÷ 45° C**  
 Strokes in mm: **20 - 40**  
 Electronic sensor with M12 swivel connector, from 0° to 90°  
 Supply voltage: **10 ÷ 30 Vdc**  
 IP code: **IP 65**  
 Pneumatic ports on both sides

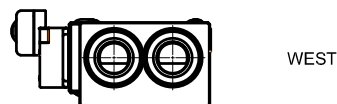
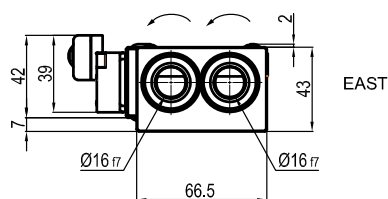
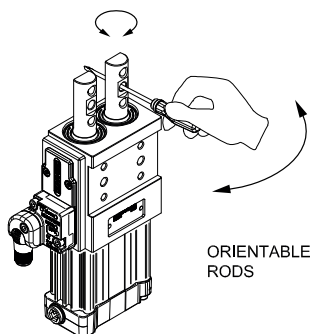
\* : TOLERANCE BETWEEN DOWELS ± 0,02, BETWEEN SCREW HOLES ± 0,1

Subject to technical modifications without notice

Rev. 00 21.10.19



ORIENTABLE RODS

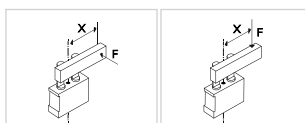


ULA40\_\_NSKO

4 STROKE

4

020 = 20 mm  
040 = 40 mm

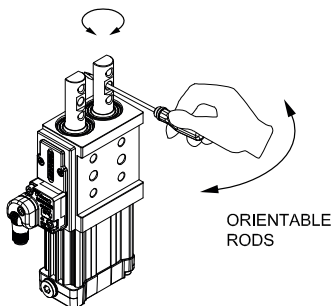
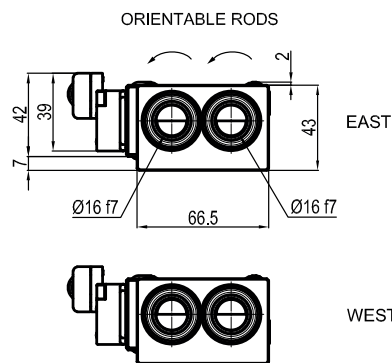
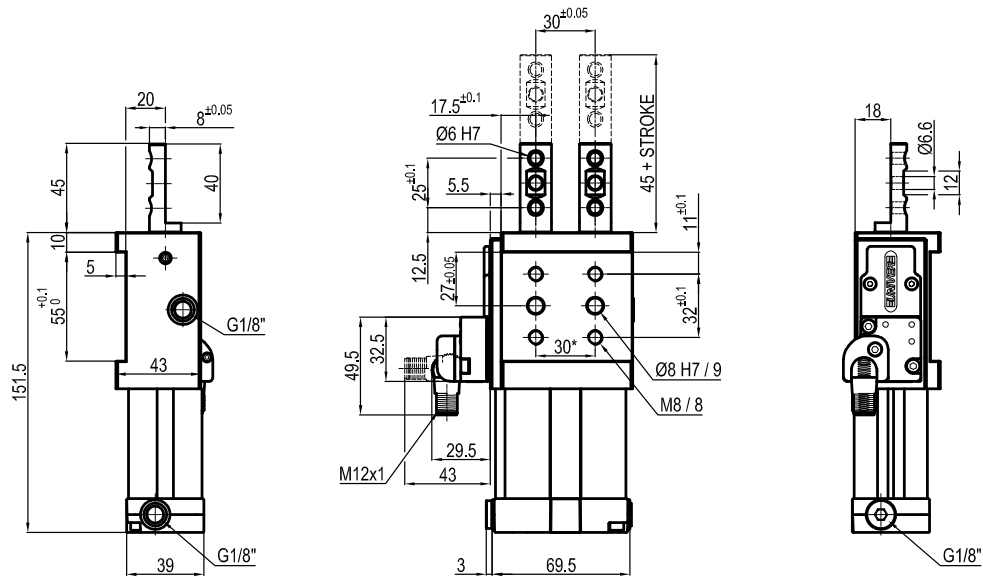


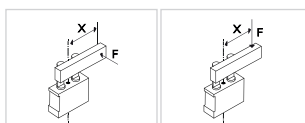
| Bore Ø | Max. pull force<br>0,5 MPa | Max. push force<br>0,5 MPa | Max. torque<br>3 Nm<br>X=100 mm | Max. deflection moment 6 Nm<br>X=100 mm | Weight |
|--------|----------------------------|----------------------------|---------------------------------|---|--------|
| 40 mm  | 400 N                      | 600 N                      | ±0,06 mm                        | ±0,03 mm                                | 1,3 Kg |

Min./Max. operating pressure: **0,4 / 0,6 MPa**  
 Operating temperature: **5° ÷ 45° C**  
 Strokes in mm: **20 - 40**  
 Electronic sensor with M12 swivel connector, from 0° to 90°  
 Supply voltage: **10 ÷ 30 Vdc**  
 IP code: **IP 65**  
 Pneumatic ports on both sides

\* : TOLERANCE BETWEEN DOWELS ± 0,02, BETWEEN SCREW HOLES ± 0,1

Subject to technical modifications without notice


**ULA40\_\_PAKO**
**4 STROKE**
**4**

 020 = 20 mm  
 040 = 40 mm


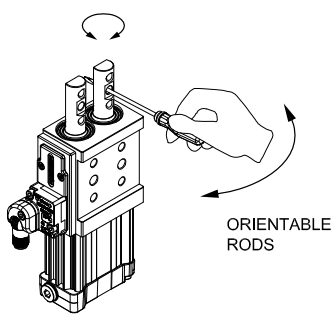
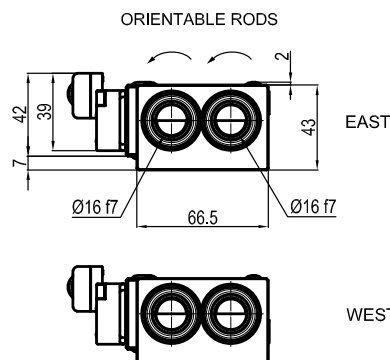
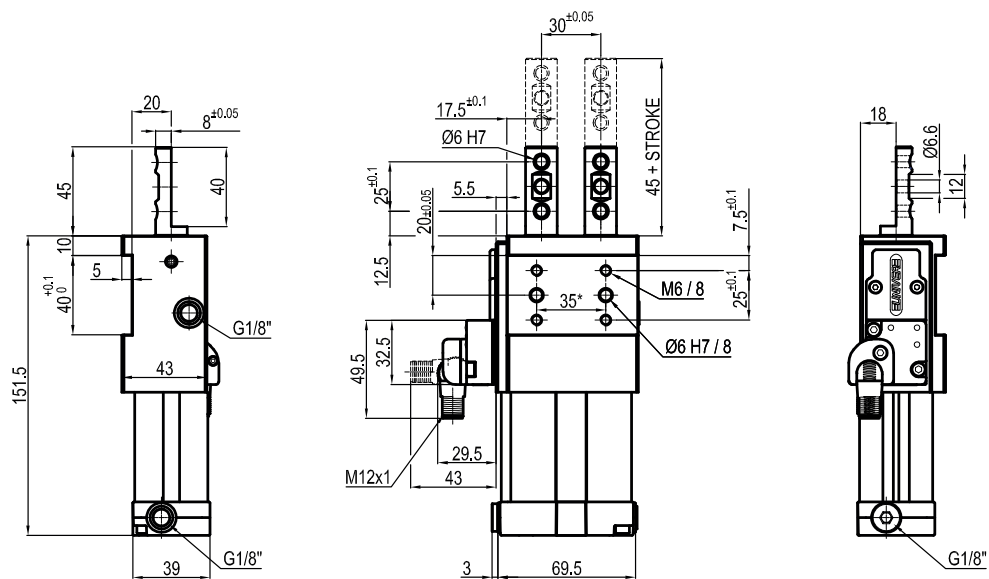
| Bore Ø | Max. pull force<br>0,5 MPa | Max. push force<br>0,5 MPa | Max. torque<br>3 Nm<br>X=100 mm | Max. deflection moment 6 Nm<br>X=100 mm | Weight |
|--------|----------------------------|----------------------------|---------------------------------|---|--------|
| 40 mm  | 400 N                      | 600 N                      | ±0,06 mm                        | ±0,03 mm                                | 1,3 Kg |

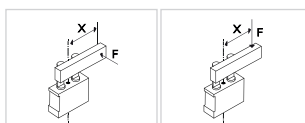
Min./Max. operating pressure: **0,4 / 0,6 MPa**  
 Operating temperature: **5° ÷ 45° C**  
 Strokes in mm: **20 - 40**  
 Electronic sensor with M12 swivel connector, from 0° to 90°  
 Supply voltage: **10 ÷ 30 Vdc**  
 IP code: **IP 65**  
 Pneumatic ports on both sides

\*: TOLERANCE BETWEEN DOWELS ± 0,02, BETWEEN SCREW HOLES ± 0,1

Subject to technical modifications without notice

Rev. 00 31.07.20


**ULA40\_\_PSK0**
**4 STROKE**
**4**

 020 = 20 mm  
 040 = 40 mm


| Bore Ø | Max. pull force<br>0,5 MPa | Max. push force<br>0,5 MPa | Max. torque<br>3 Nm<br>X=100 mm | Max. deflection moment 6 Nm<br>X=100 mm | Weight |
|--------|----------------------------|----------------------------|---------------------------------|---|--------|
| 40 mm  | 400 N                      | 600 N                      | ±0,06 mm                        | ±0,03 mm                                | 1,3 Kg |

Min./Max. operating pressure: **0,4 / 0,6 MPa**  
 Operating temperature: **5° ÷ 45° C**  
 Strokes in mm: **20 - 40**  
 Electronic sensor with M12 swivel connector, from 0° to 90°  
 Supply voltage: **10 ÷ 30 Vdc**  
 IP code: **IP 65**  
 Pneumatic ports on both sides

\*: TOLERANCE BETWEEN DOWELS ± 0,02, BETWEEN SCREW HOLES ± 0,1

Subject to technical modifications without notice

Rev. 00 31.07.20