

ULA 40

Pneumatic retractable locating pin unit, double rod, Ø40 mm

Pneumatic retractable pin unit, double rod, typically used in welding applications to locate metal sheets in a definite position.

- Metal rod scraper
- Double guide to avoid backlash
- Compact dimensions
- Electronic or pneumatic sensor
- Many rod end styles available
- Rod orientation adjustable by the user



CHARACTERISTICS

Operating temperature	5° ÷ 45° C
Min./Max. operating pressure	0,4 / 0,6 MPa
Bore Ø	40 mm
Max Pull force (0,5 MPa)	400 N
Max Push force (0,5 MPa)	600 N
Max. Torque (3 Nm)	± 0,06 mm
Max. Deflection (6 Nm)	± 0,03 mm
Weight	1,3 Kg
Pneumatic supply ports	G 1/8 on both sides
Sensor	electronic (optical)
Supply voltage	10 ÷ 30 Vdc
IP code	IP 65

CODIFICATION KEY

UL | A | 40 | 040 | N | A | K | 0 | |

1 2 3 4 5 6 7 8 9



OPTICAL SENSOR



LIGHTWEIGHT



COMPACT



METAL SCRAPER



DOUBLE GUIDE

1

SERIES
UL = UNICLAMP locating pin unit

2

VERSION
A = Pneumatic, double orientable rod

3

SIZE
40 = Ø40 mm

4

STROKE
020 = 20 mm
040 = 40 mm

5

ROD END STYLE
A = Rod for offset pins (2 screws, 1 dowel)
N = Rod for offset pins with inverted holes (1 screw, 2 dowels)
G = Rod for offset pins rod plane matching body middle axis (2 screws, 1 dowel)
P = Rod for offset pins with inverted holes rod matching body middle axis (1 screw, 2 dowels)

6

SIDE MOUNTING
A = 55 mm
S = Standard

7

SENSOR
N = No sensor (with protection plate)
K = Electronic sensor PNP, M12 (DF-K)
D = Pneumatic sensor (DF-UPNW)
J = Electronic sensor NPN, optical (DF-J)
Y = Electronic sensor PNP, M12 (DF-Y) white LED

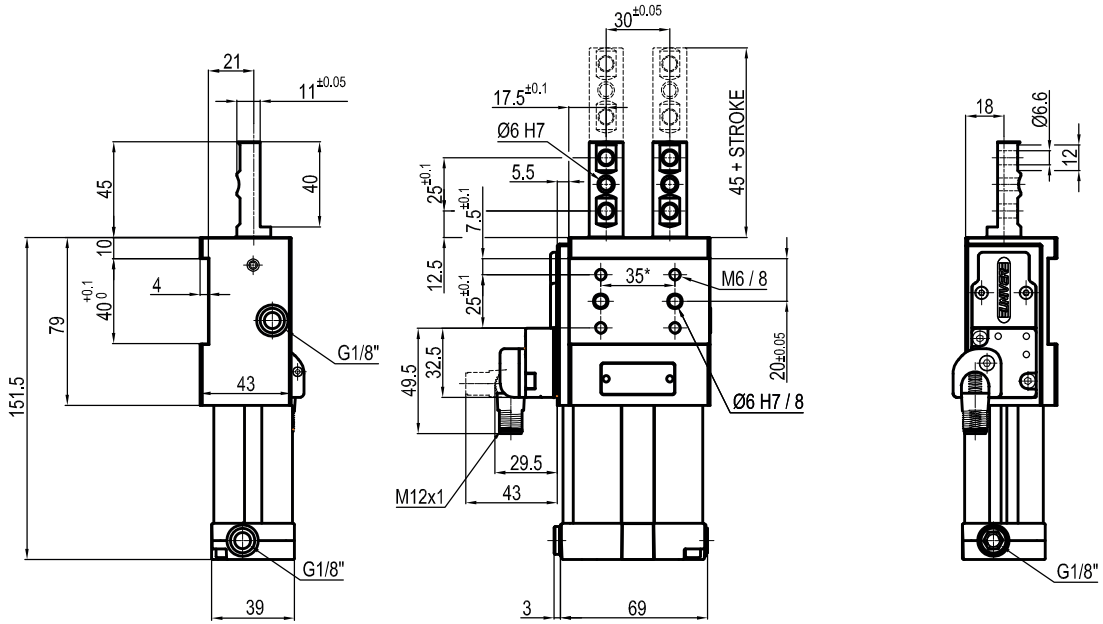
8

PRODUCT REVISION
Assigned by UNIVER

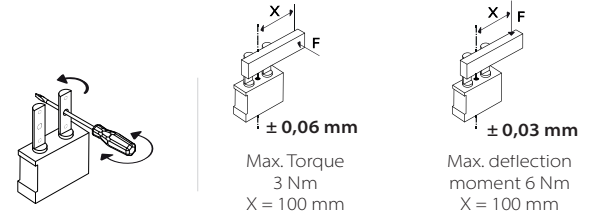
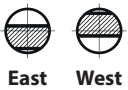
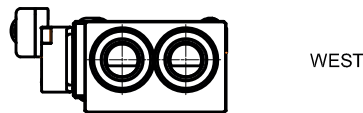
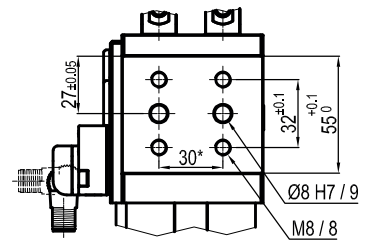
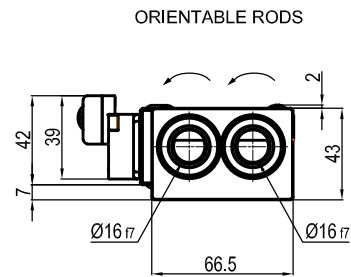
9

ATEX
X = ATEX option
See ATEX Catalogue for types and versions

A Rod for offset pins
(2 screws, 1 dowel)



SIDE MOUNTING "A"



*TOLERANCE BETWEEN DOWELS ± 0,02 BETWEEN SCREW HOLES ± 0,1

Sensors



Electronic (optical)

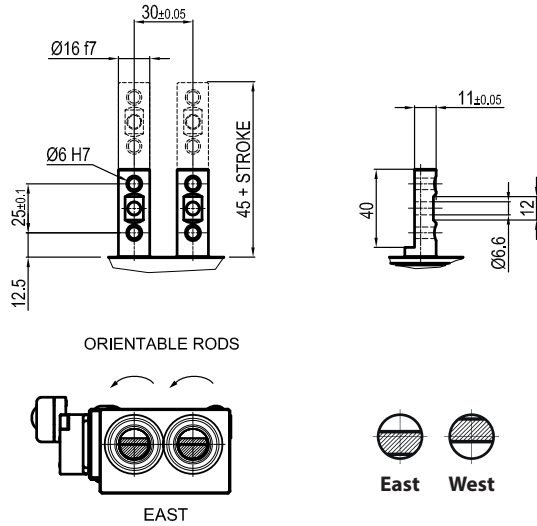
- DF-K PNP M12
- DF-J NPN M12
- DF-Y PNP M12 White LED



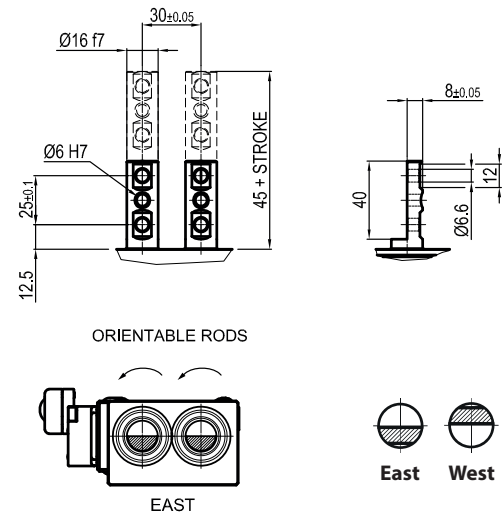
Pneumatic

DF-UPNWM

N Rod for offset pins
Inverted holes



G Rod for offset pins
Rod plane matching body middle axis



P Rod for offset pins
Inverted holes, rod plane matching body middle axis

