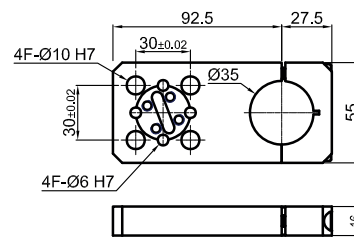
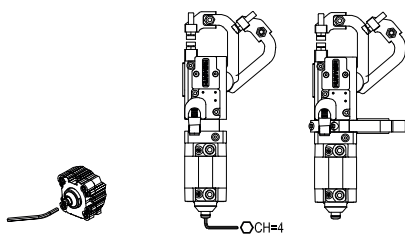


UGPS40S2\_K\_1



LGP40MP

\* : TOLERANCE BETWEEN DOWELS ± 0,02, BETWEEN SCREW HOLES ± 0,1

## UGPS40S\_\_K\_10

### 4 ARM

### 5 TIPS

### 7 SENSOR MOUNTING

4 5 7

- 0 = Without jaws
- 1 = Jaws set for 1 pair of tips
- 2 = Jaws set for 2 pair of tips

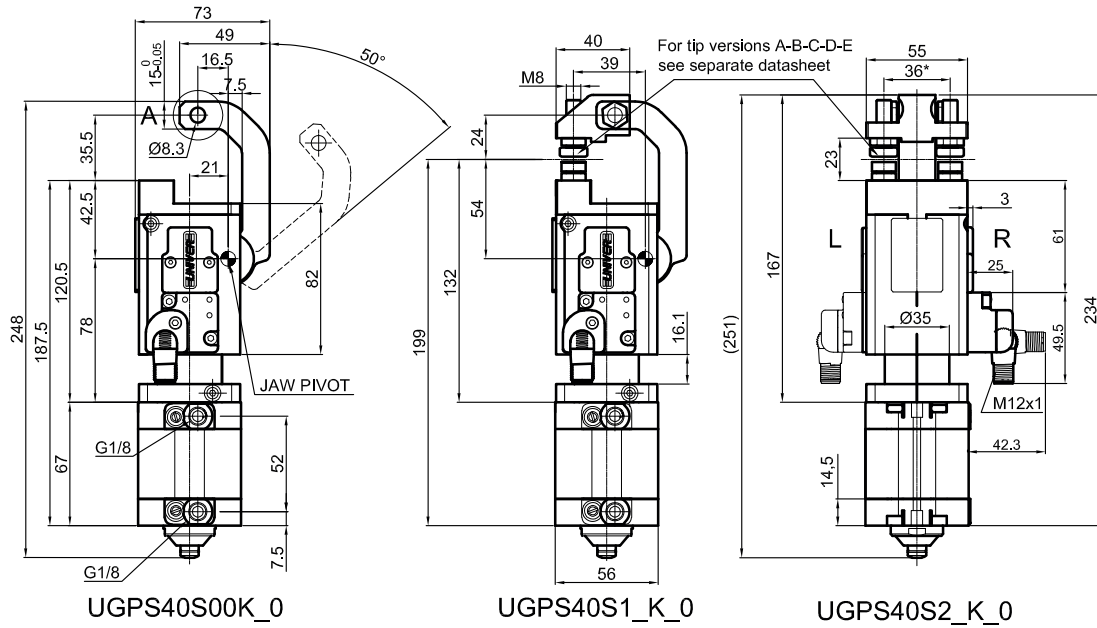
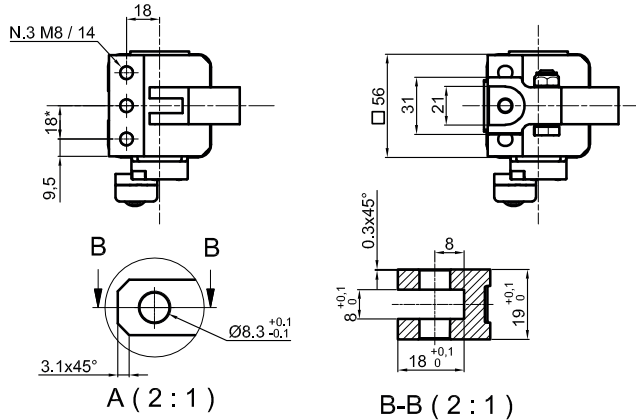
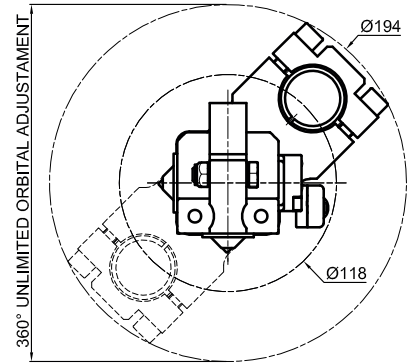
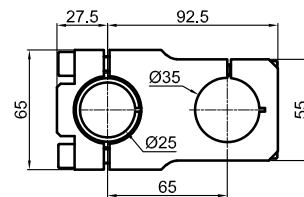
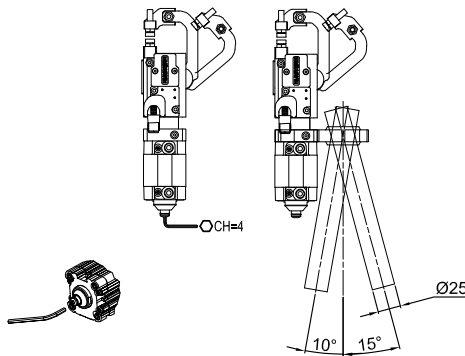
- 0 = No tips
- A = Knurled tips
- B = Self-adjusting knurled tips
- C = Flat tips
- D = Concave/Convex tips (1+1)
- E = Self adjusting flat tips

- N = No sensor
- R = Right (ports side)
- L = Left

Bore Ø	Holding moment	Clamping force at 5 bar	Weight	Mount weight
40 mm	800 Nm	1600 N	1,65 Kg	0,2 Kg

Min./Max. operating pressure: **0,4 / 0,6 MPa**  
 Operating temperature: **5° ÷ 45° C**  
 Opening angle: **adjustable from 10° to 50°**  
 Electronic sensor with M12 swivel connector, from 0° to 90°  
 Supply voltage: **10 ÷ 30 Vdc**  
 IP code: **IP 65**

Subject to technical modifications without notice


**UGPS40S00K\_0**
**UGPS40S1\_K\_0**
**UGPS40S2\_K\_0**

**A (2 : 1)**
**B-B (2 : 1)**

**UGPS40S2\_K\_2**

**LGP40MO25**

\* : TOLERANCE BETWEEN DOWELS ± 0,02, BETWEEN SCREW HOLES ± 0,1

## UGPS40S\_\_K\_20

### 4 ARM

### 5 TIPS

### 7 SENSOR MOUNTING

4 5 7

0 = Without jaws  
1 = Jaws set for 1 pair of tips  
2 = Jaws set for 2 pair of tips

0 = No tips  
A = Knurled tips  
B = Self-adjusting knurled tips  
C = Flat tips  
D = Concave/Convex tips (1+1)  
E = Self adjusting flat tips

N = No sensor  
R = Right (ports side)  
L = Left

Bore Ø	Holding moment	Clamping force at 5 bar	Weight	Mount weight
40 mm	800 Nm	1600 N	1,65 Kg	0,26 Kg

Min./Max. operating pressure: **0,4 / 0,6 MPa**

Operating temperature: **5° ÷ 45° C**

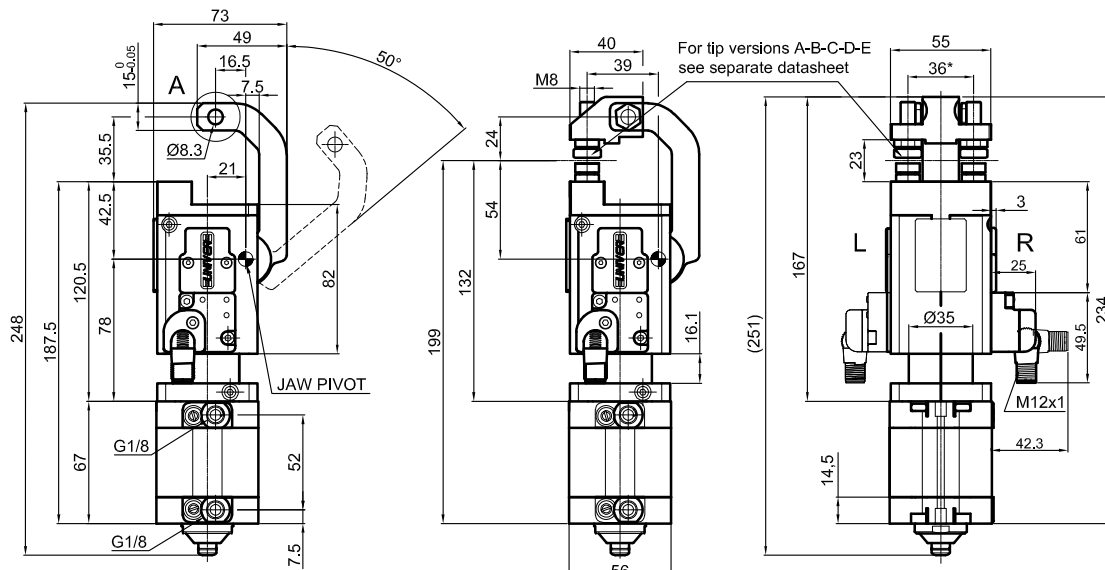
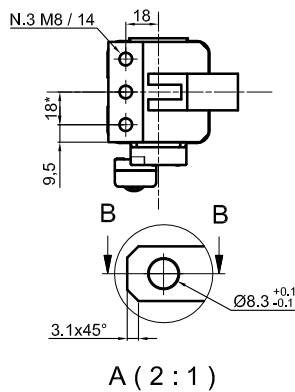
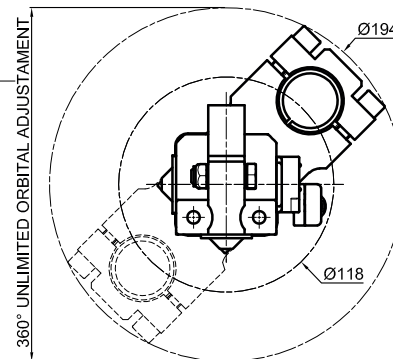
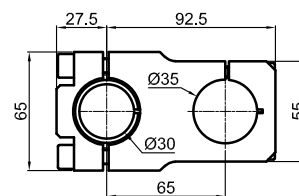
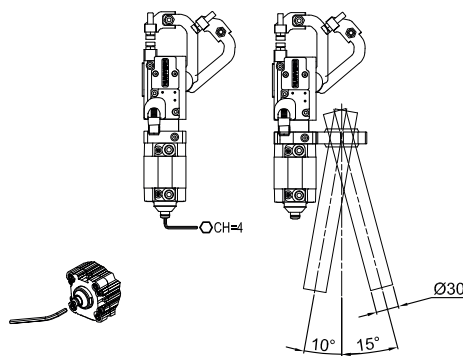
Opening angle: **adjustable from 10° to 50°**

Electronic sensor with M12 swivel connector, from 0° to 90°

Supply voltage: **10 ÷ 30 Vdc**

IP code: **IP 65**

Subject to technical modifications without notice


**UGPS40S00K\_0**
**UGPS40S1\_K\_0**
**UGPS40S2\_K\_0**

**A (2 : 1)**
**B-B (2 : 1)**

**UGPS40S2\_K\_3**

**LGP40MO30**

\* : TOLERANCE BETWEEN DOWELS ± 0,02, BETWEEN SCREW HOLES ± 0,1

## UGPS40S\_\_K\_30

### 4 ARM

### 5 TIPS

### 7 SENSOR MOUNTING

**4 5 7**

- 0 = Without jaws
- 1 = Jaws set for 1 pair of tips
- 2 = Jaws set for 2 pair of tips

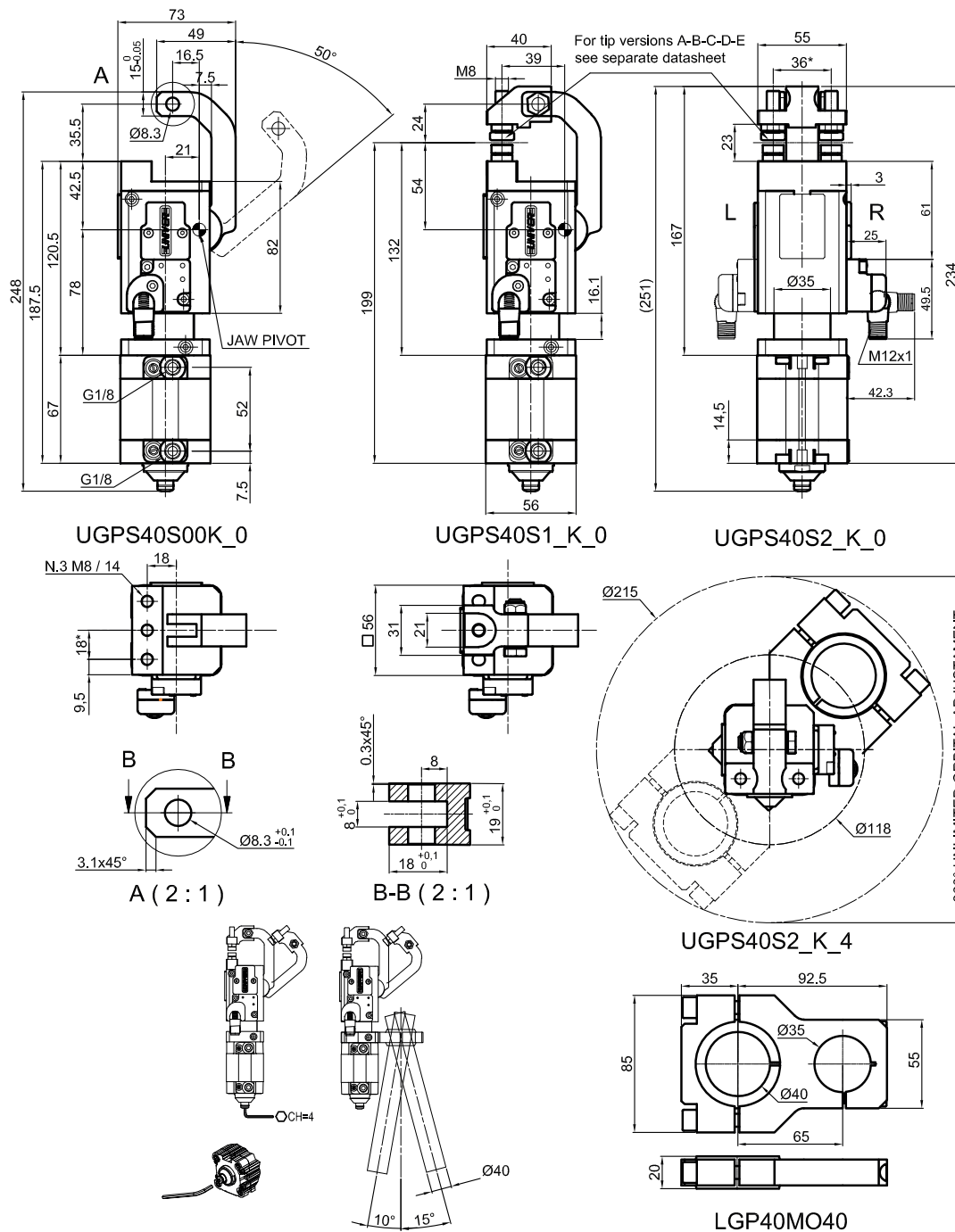
- 0 = No tips
- A = Knurled tips
- B = Self-adjusting knurled tips
- C = Flat tips
- D = Concave/Convex tips (1+1)
- E = Self adjusting flat tips

- N = No sensor
- R = Right (ports side)
- L = Left

Bore Ø	Holding moment	Clamping force at 5 bar	Weight	Mount weight
40 mm	800 Nm	1600 N	1,65 Kg	0,25 Kg

Min./Max. operating pressure: **0,4 / 0,6 MPa**  
 Operating temperature: **5° ÷ 45° C**  
 Opening angle: **adjustable from 10° to 50°**  
 Electronic sensor with M12 swivel connector, from 0° to 90°  
 Supply voltage: **10 ÷ 30 Vdc**  
 IP code: **IP 65**

Subject to technical modifications without notice



\*: TOLERANCE BETWEEN DOWELS ± 0,02, BETWEEN SCREW HOLES ± 0,1

## UGPS40S\_\_K\_40

**4** ARM

**5** TIPS

**7** SENSOR MOUNTING

**4 5 7**

- 0 = Without jaws
- 1 = Jaws set for 1 pair of tips
- 2 = Jaws set for 2 pair of tips

- 0 = No tips
- A = Knurled tips
- B = Self-adjusting knurled tips
- C = Flat tips
- D = Concave/Convex tips (1+1)
- E = Self adjusting flat tips

- N = No sensor
- R = Right (ports side)
- L = Left

Bore Ø	Holding moment	Clamping force at 5 bar	Weight	Mount weight
40 mm	800 Nm	1600 N	1,65 Kg	0,31 Kg

Min./Max. operating pressure: **0,4 / 0,6 MPa**

Operating temperature: **5° ÷ 45° C**

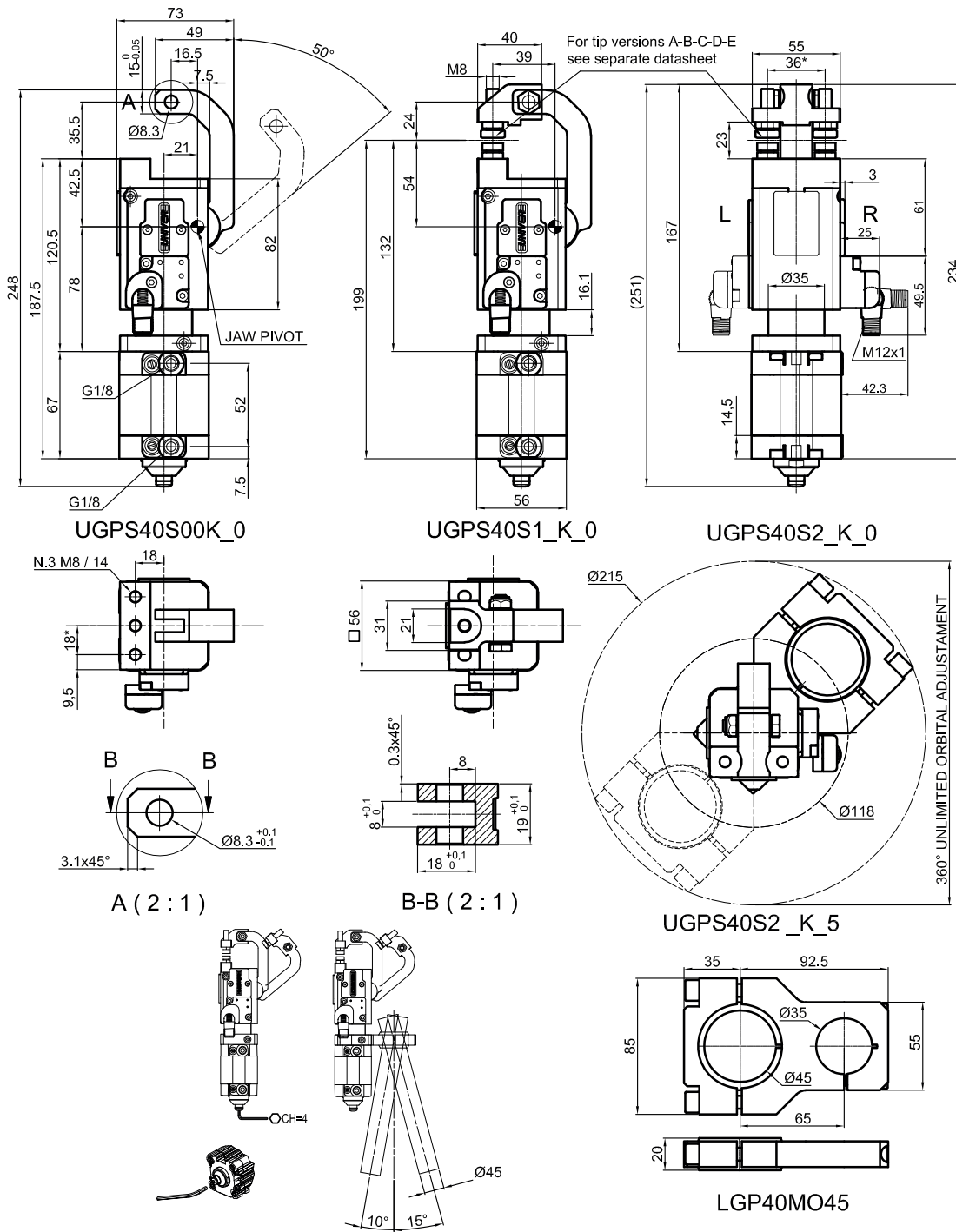
Opening angle: **adjustable from 10° to 50°**

Electronic sensor with M12 swivel connector, from 0° to 90°

Supply voltage: **10 ÷ 30 Vdc**

IP code: **IP 65**

Subject to technical modifications without notice



\*: TOLERANCE BETWEEN DOWELS ± 0,02, BETWEEN SCREW HOLES ± 0,1

## UGPS40S\_\_K\_50

**4** ARM

**5** TIPS

**7** SENSOR MOUNTING

**4 5 7**

0 = Without jaws  
 1 = Jaws set for 1 pair of tips  
 2 = Jaws set for 2 pair of tips

0 = No tips  
 A = Knurled tips  
 B = Self-adjusting knurled tips  
 C = Flat tips  
 D = Concave/Convex tips (1+1)  
 E = Self adjusting flat tips

N = No sensor  
 R = Right (ports side)  
 L = Left

Bore Ø	Holding moment	Clamping force at 5 bar	Weight	Mount weight
40 mm	800 Nm	1600 N	1,65 Kg	0,29 Kg

Min./Max. operating pressure: **0,4 / 0,6 MPa**

Operating temperature: **5° ± 45° C**

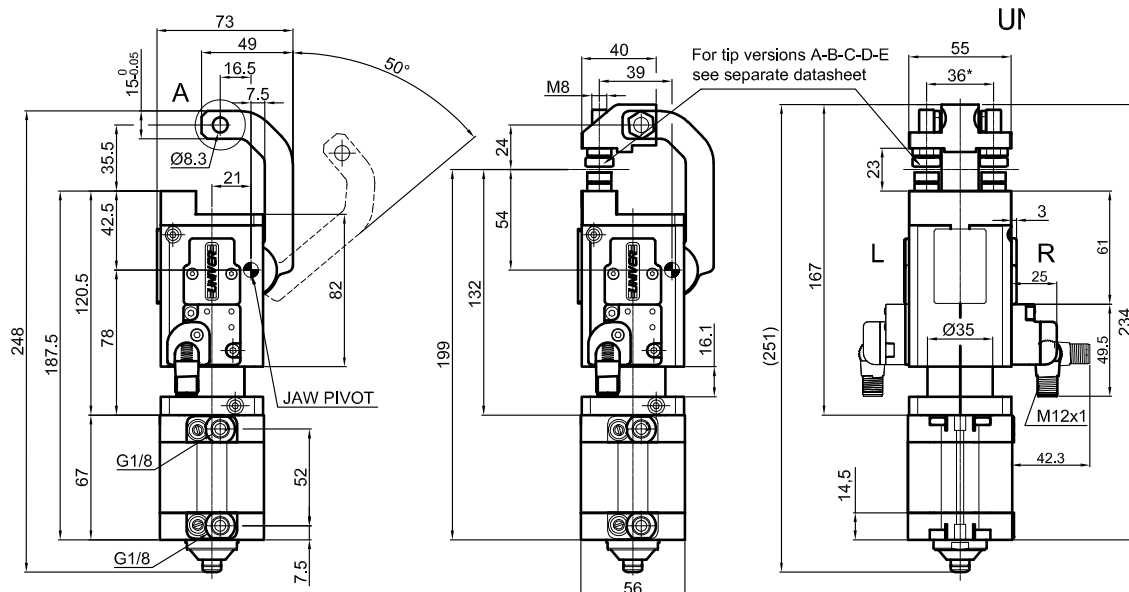
Opening angle: **adjustable from 10° to 50°**

Electronic sensor with M12 swivel connector, from 0° to 90°

Supply voltage: **10 ± 30 Vdc**

IP code: **IP 65**

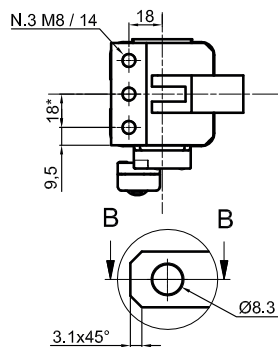
Subject to technical modifications without notice



UGPS40S00K\_0

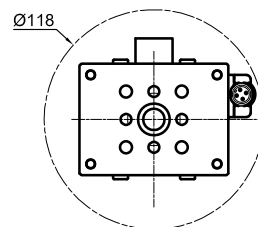
UGPS40S1\_K\_0

UGPS40S2\_K\_0

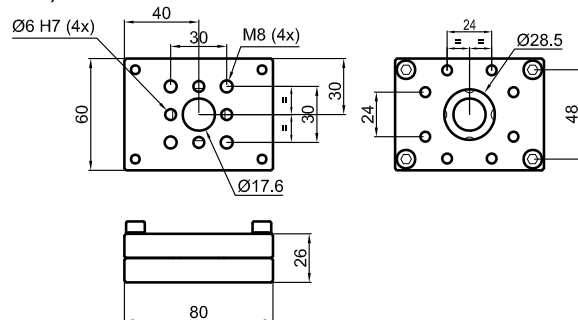


A ( 2 : 1 )

B-B ( 2 : 1 )



UGPS40S2\_K\_6



LGP40PT080

\* : TOLERANCE BETWEEN DOWELS ± 0,02, BETWEEN SCREW HOLES ± 0,1

## UGPS40S\_\_K\_60

4 ARM

5 TIPS

7 SENSOR MOUNTING

4 5 7

0 = Without jaws  
1 = Jaws set for 1 pair of tips  
2 = Jaws set for 2 pair of tips

0 = No tips  
A = Knurled tips  
B = Self-adjusting knurled tips  
C = Flat tips  
D = Concave/Convex tips (1+1)  
E = Self adjusting flat tips

N = No sensor  
R = Right (ports side)  
L = Left

Bore Ø	Holding moment	Clamping force at 5 bar	Weight	Mount weight
40 mm	800 Nm	1600 N	1,65 Kg	0,3 Kg

Min./Max. operating pressure: **0,4 / 0,6 MPa**

Operating temperature: **5° ± 45° C**

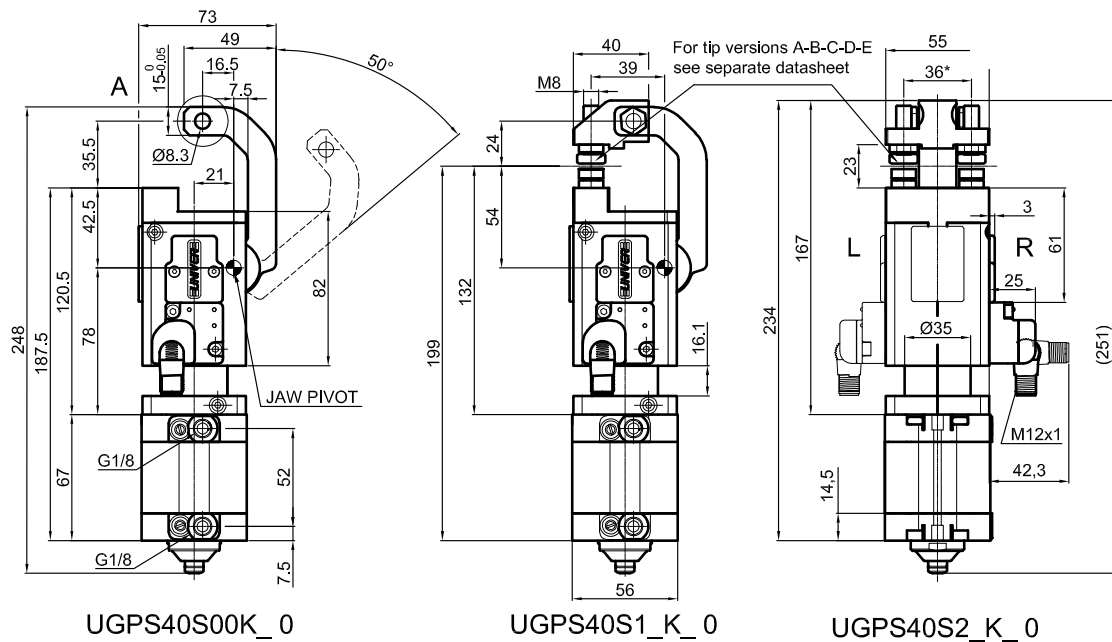
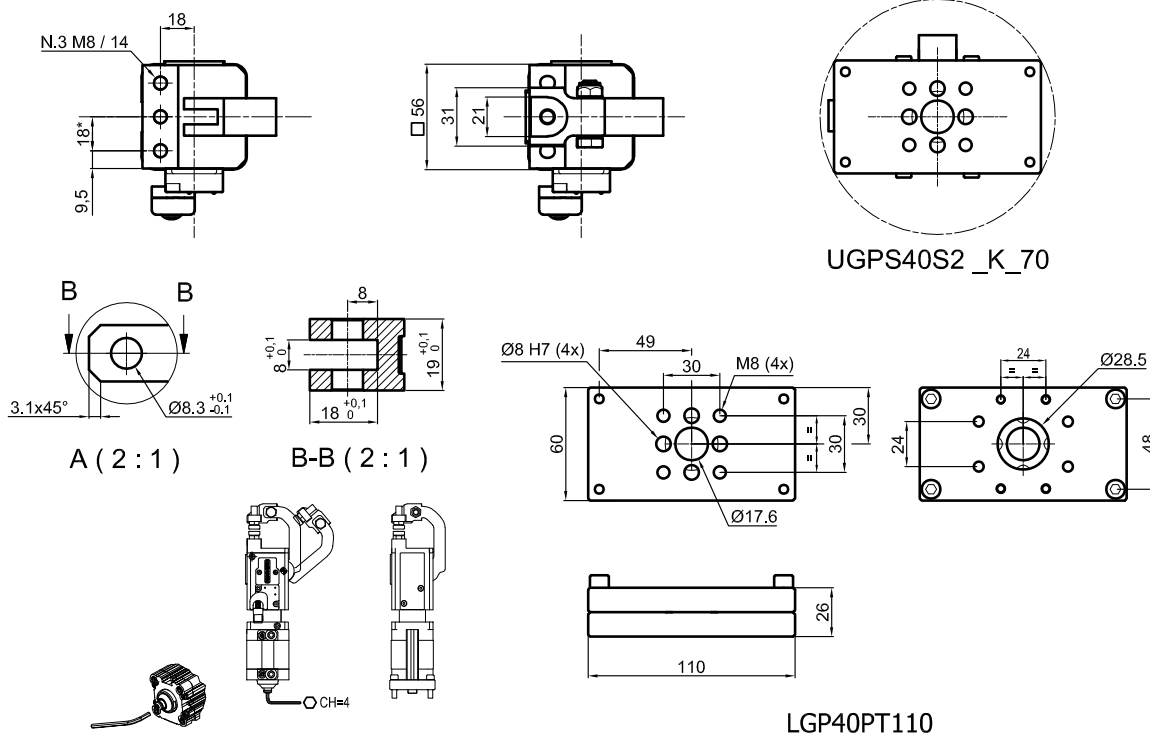
Opening angle: **adjustable from 10° to 50°**

Electronic sensor with M12 swivel connector, from 0° to 90°

Supply voltage: **10 ± 30 Vdc**

IP code: **IP 65**

Subject to technical modifications without notice


**UGPS40S00K\_0**
**UGPS40S1\_K\_0**
**UGPS40S2\_K\_0**

**UGPS40S2\_K\_70**
**LGP40PT110**

\* : TOLERANCE BETWEEN DOWELS ± 0,02, BETWEEN SCREW HOLES ± 0,1

## UGPS40S\_\_K\_70

**4 ARM**
**5 TIPS**
**7 SENSOR MOUNTING**
**4 5 7**

0 = Without jaws  
 1 = Jaws set for 1 pair of tips  
 2 = Jaws set for 2 pair of tips

0 = No tips  
 A = Knurled tips  
 B = Self-adjusting knurled tips  
 C = Flat tips  
 D = Concave/Convex tips (1+1)  
 E = Self adjusting flat tips

N = No sensor  
 R = Right (ports side)  
 L = Left

Bore Ø	Holding moment	Clamping force at 5 bar	Weight	Mount weight
40 mm	800 Nm	1600 N	1,65 Kg	0,43 Kg

 Min./Max. operating pressure: **0,4 / 0,6 MPa**

 Operating temperature: **5° ÷ 45° C**

 Opening angle: **adjustable from 10° to 50°**

Electronic sensor with M12 swivel connector, from 0° to 90°

 Supply voltage: **10 ÷ 30 Vdc**

 IP code: **IP 65**

Subject to technical modifications without notice