

*: TOLERANCE BETWEEN DOWELS ± 0,02, BETWEEN SCREW HOLES ± 0,1

UGPS40D__K_10

4 ARM

5 TIPS

7 SENSOR MOUNTING

4 5 7

- 0 = Without jaws
- 1 = Jaws set for 1 pair of tips
- 2 = Jaws set for 2 pair of tips

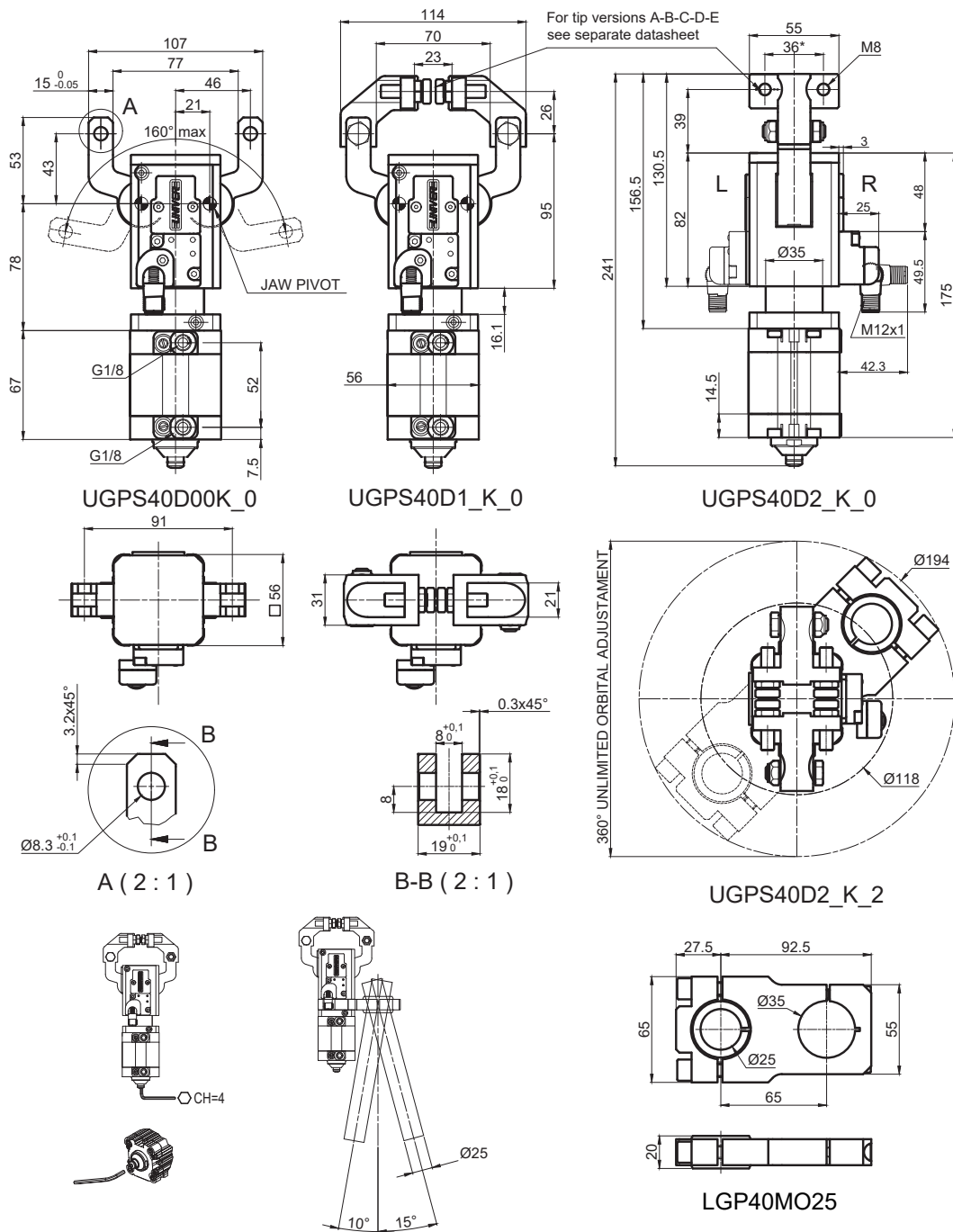
- 0 = No tips
- A = Knurled tips
- B = Self-adjusting knurled tips
- C = Flat tips
- D = Concave/Convex tips (1+1)
- E = Self adjusting flat tips

- N = No sensor
- R = Right (ports side)
- L = Left

Bore Ø	Holding moment	Clamping force at 5 bar	Weight	Mount weight
40 mm	800 Nm	800 N	1,76 Kg	0,2 Kg

Min./Max. operating pressure: **0,4 / 0,6 MPa**
 Operating temperature: **5° ÷ 45° C**
 Opening angle: **adjustable from 10° to 160°**
 Electronic sensor with M12 swivel connector, from 0° to 90°
 Supply voltage: **10 ÷ 30 Vdc**
 IP code: **IP 65**

Subject to technical modifications without notice



*: TOLERANCE BETWEEN DOWELS ± 0,02, BETWEEN SCREW HOLES ± 0,1

UGPS40D__K_20

4 ARM

5 TIPS

7 SENSOR MOUNTING

4 5 7

- 0 = Without jaws
- 1 = Jaws set for 1 pair of tips
- 2 = Jaws set for 2 pair of tips

- 0 = No tips
- A = Knurled tips
- B = Self-adjusting knurled tips
- C = Flat tips
- D = Concave/Convex tips (1+1)
- E = Self adjusting flat tips

- N = No sensor
- R = Right (ports side)
- L = Left

Bore Ø	Holding moment	Clamping force at 5 bar	Weight	Mount weight
40 mm	800 Nm	800 N	1,76 Kg	0,26 Kg

Min./Max. operating pressure: **0,4 / 0,6 MPa**

Operating temperature: **5° ÷ 45° C**

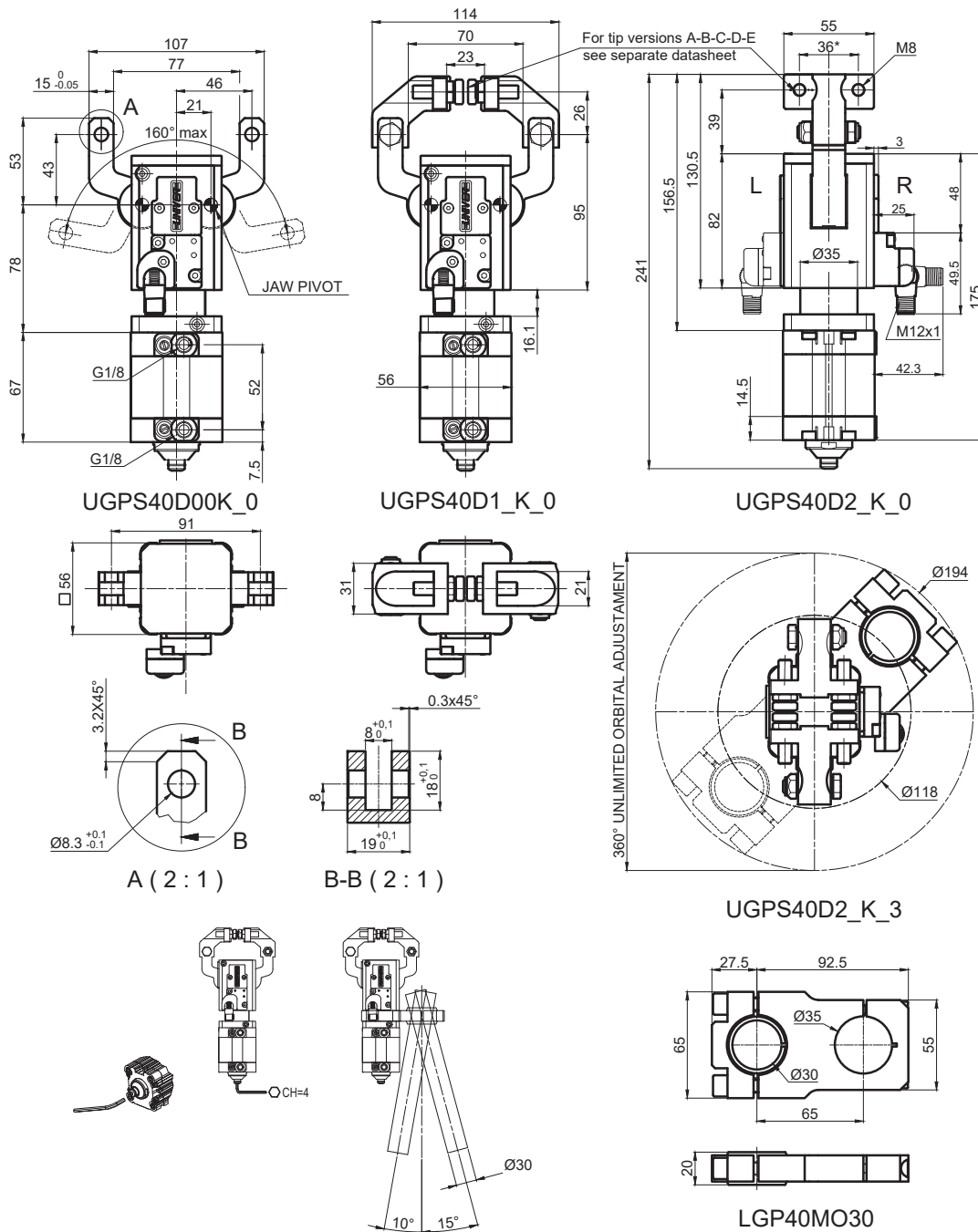
Opening angle: **adjustable from 10° to 160°**

Electronic sensor with M12 swivel connector, from 0° to 90°

Supply voltage: **10 ÷ 30 Vdc**

IP code: **IP 65**

Subject to technical modifications without notice



*: TOLERANCE BETWEEN DOWELS $\pm 0,02$, BETWEEN SCREW HOLES $\pm 0,1$

UGPS40D__K_30

4 ARM

5 TIPS

7 SENSOR MOUNTING

4 5 7

- 0 = Without jaws
- 1 = Jaws set for 1 pair of tips
- 2 = Jaws set for 2 pair of tips

- 0 = No tips
- A = Knurled tips
- B = Self-adjusting knurled tips
- C = Flat tips
- D = Concave/Convex tips (1+1)
- E = Self adjusting flat tips

- N = No sensor
- R = Right (ports side)
- L = Left

Bore \varnothing	Holding moment	Clamping force at 5 bar	Weight	Mount weight
40 mm	800 Nm	800 N	1,76 Kg	0,25 Kg

Min./Max. operating pressure: **0,4 / 0,6 MPa**

Operating temperature: **5° ± 45° C**

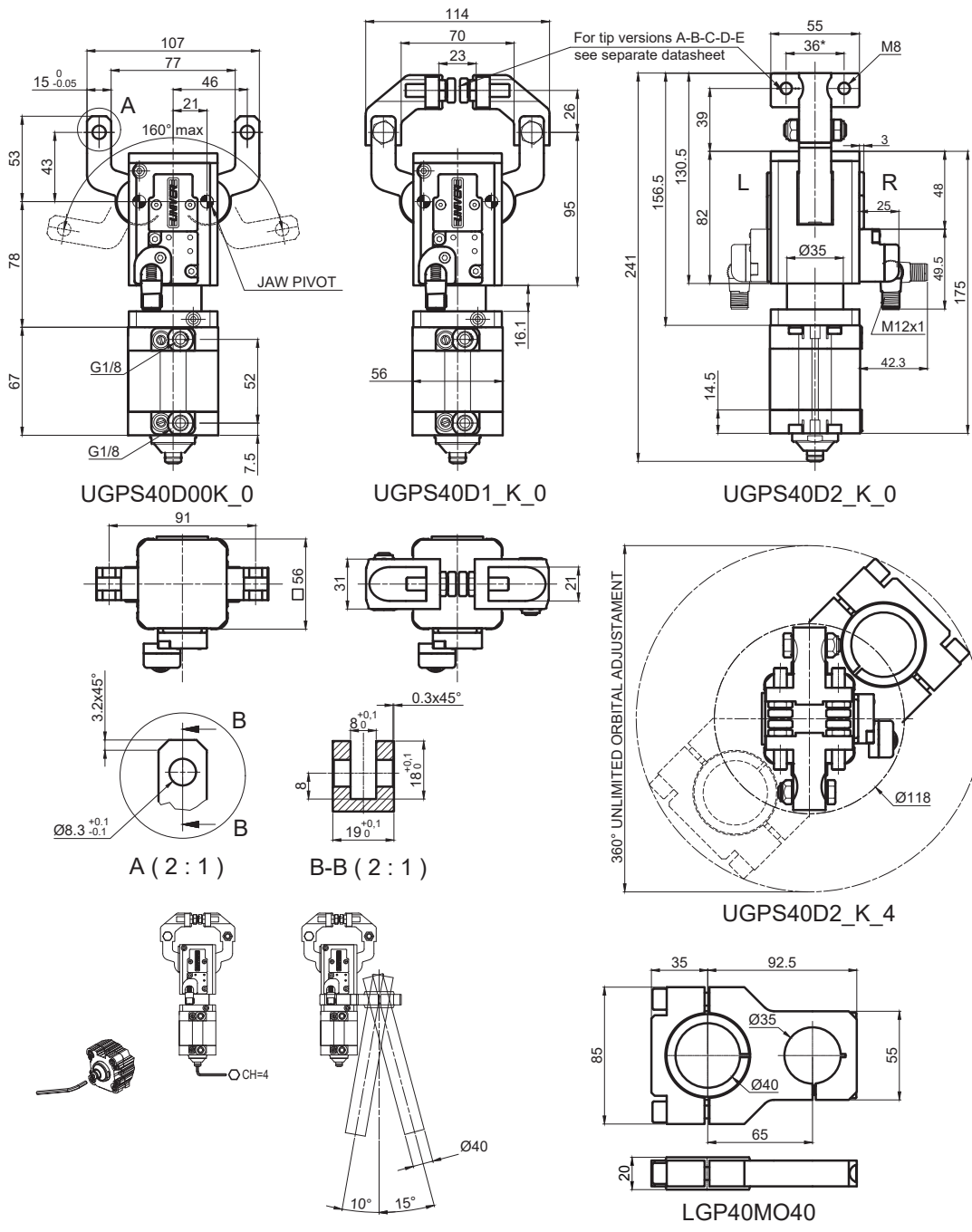
Opening angle: **adjustable from 10° to 160°**

Electronic sensor with M12 swivel connector, from 0° to 90°

Supply voltage: **10 ± 30 Vdc**

IP code: **IP 65**

Subject to technical modifications without notice



*: TOLERANCE BETWEEN DOWELS ± 0,02, BETWEEN SCREW HOLES ± 0,1

UGPS40D__K_40

4 ARM

5 TIPS

7 SENSOR MOUNTING

4 5 7

- 0 = Without jaws
- 1 = Jaws set for 1 pair of tips
- 2 = Jaws set for 2 pair of tips

- 0 = No tips
- A = Knurled tips
- B = Self-adjusting knurled tips
- C = Flat tips
- D = Concave/Convex tips (1+1)
- E = Self adjusting flat tips

- N = No sensor
- R = Right (ports side)
- L = Left

Bore Ø	Holding moment	Clamping force at 5 bar	Weight	Mount weight
40 mm	800 Nm	800 N	1,76 Kg	0,31 Kg

Min./Max. operating pressure: **0,4 / 0,6 MPa**

Operating temperature: **5° ÷ 45° C**

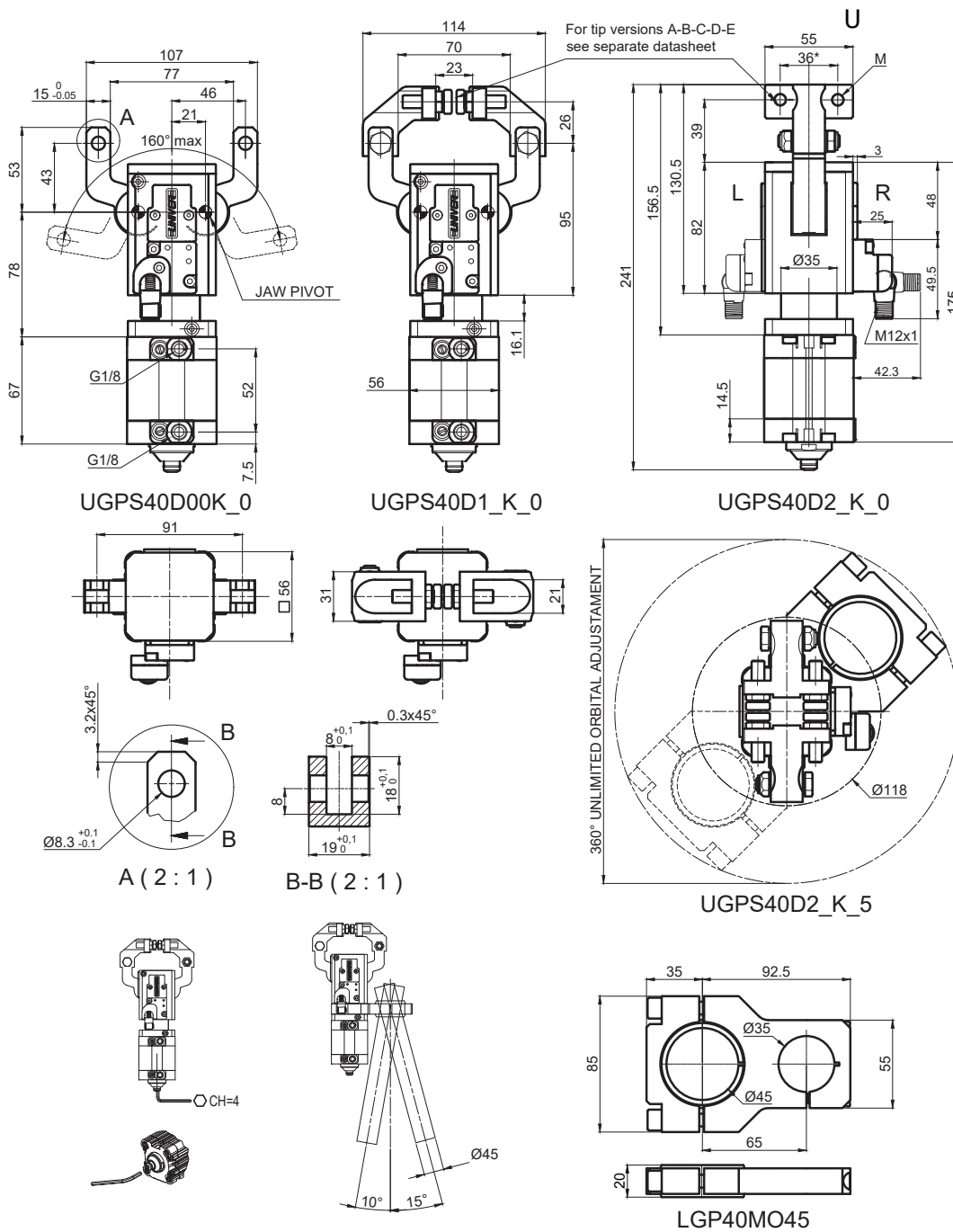
Opening angle: **adjustable from 10° to 160°**

Electronic sensor with M12 swivel connector, from 0° to 90°

Supply voltage: **10 ÷ 30 Vdc**

IP code: **IP 65**

Subject to technical modifications without notice



*: TOLERANCE BETWEEN DOWELS ± 0,02, BETWEEN SCREW HOLES ± 0,1

UGPS40D__K_50

4 ARM

5 TIPS

7 SENSOR MOUNTING

4 5 7

- 0 = Without jaws
- 1 = Jaws set for 1 pair of tips
- 2 = Jaws set for 2 pair of tips

- 0 = No tips
- A = Knurled tips
- B = Self-adjusting knurled tips
- C = Flat tips
- D = Concave/Convex tips (1+1)
- E = Self adjusting flat tips

- N = No sensor
- R = Right (ports side)
- L = Left

Bore Ø	Holding moment	Clamping force at 5 bar	Weight	Mount weight
40 mm	800 Nm	800 N	1,76 Kg	0,29 Kg

Min./Max. operating pressure: **0,4 / 0,6 MPa**

Operating temperature: **5° ÷ 45° C**

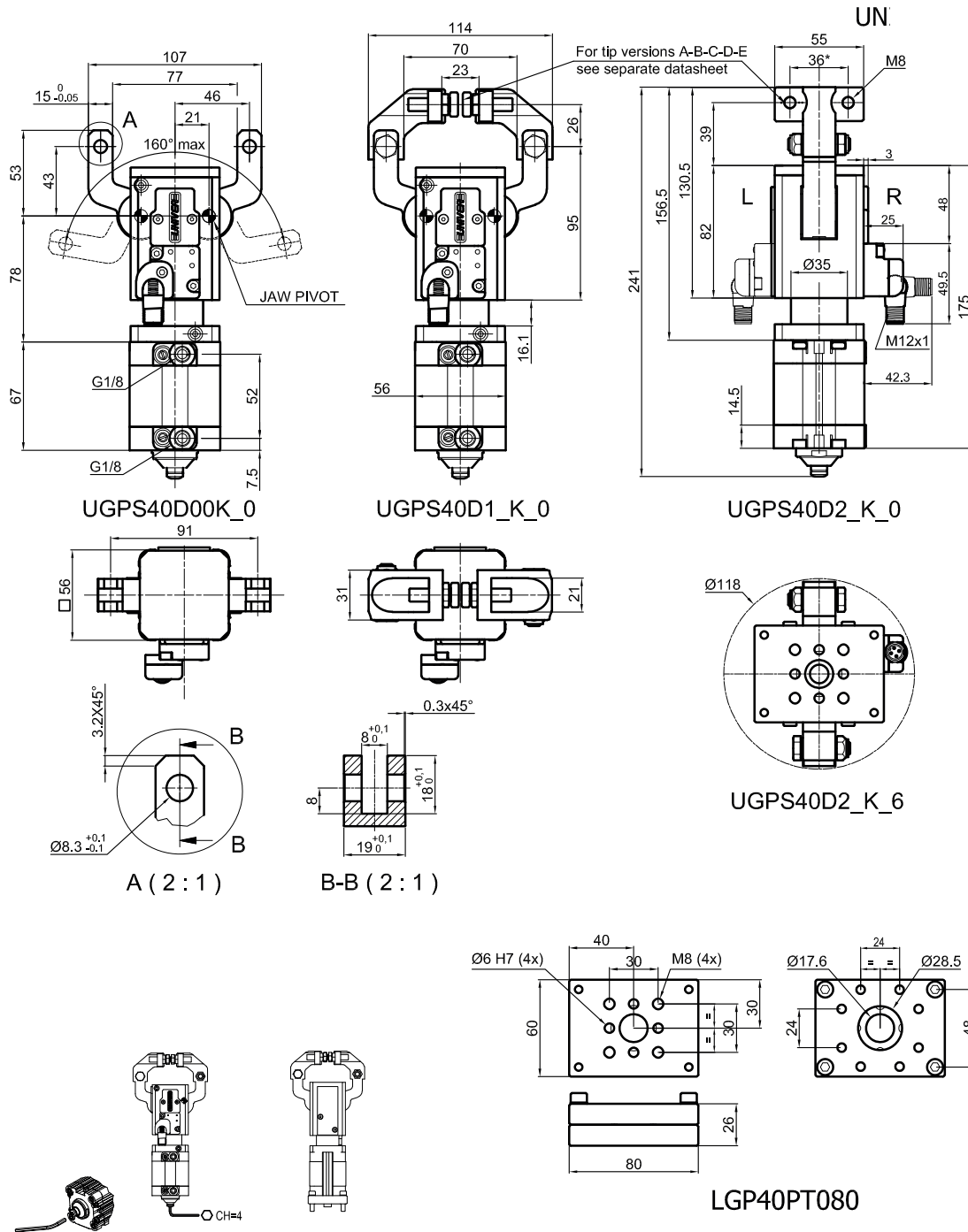
Opening angle: **adjustable from 10° to 160°**

Electronic sensor with M12 swivel connector, from 0° to 90°

Supply voltage: **10 ÷ 30 Vdc**

IP code: **IP 65**

Subject to technical modifications without notice



*: TOLERANCE BETWEEN DOWELS ± 0,02, BETWEEN SCREW HOLES ± 0,1

UGPS40D__K_60
4 ARM
5 TIPS
7 SENSOR MOUNTING
4 5 7

- 0 = Without jaws
- 1 = Jaws set for 1 pair of tips
- 2 = Jaws set for 2 pair of tips

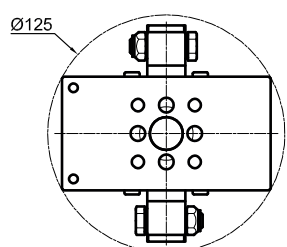
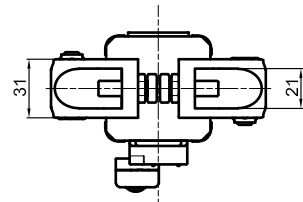
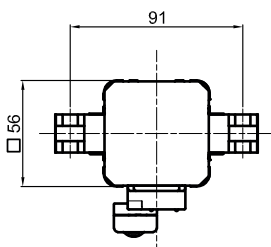
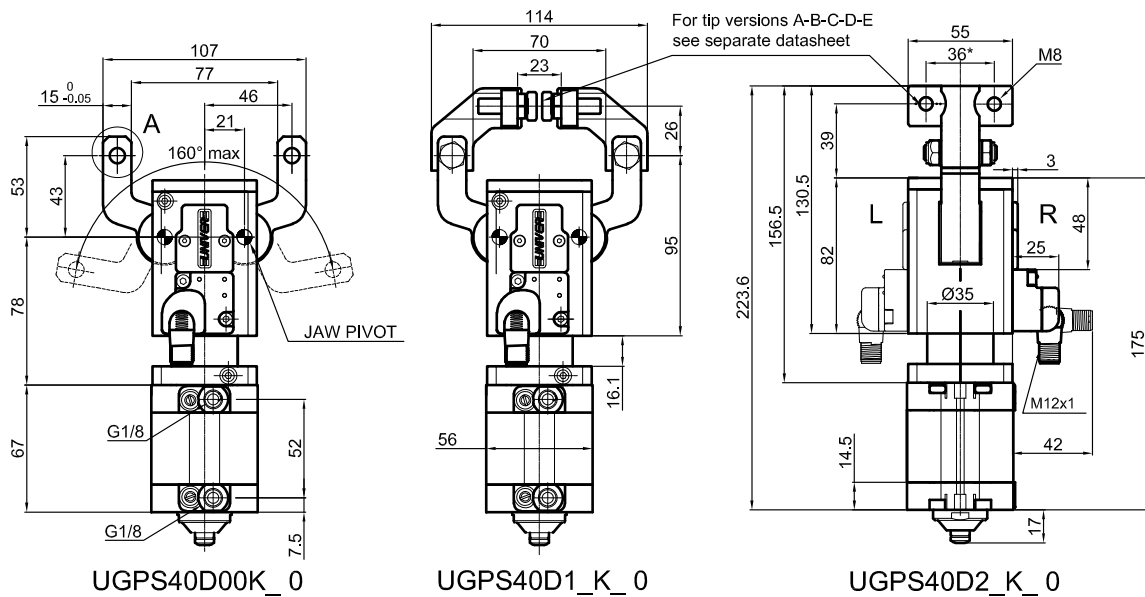
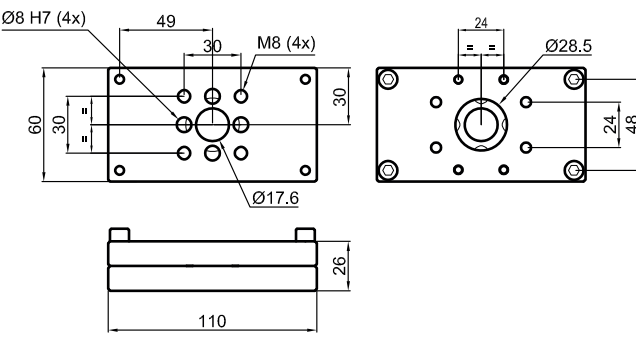
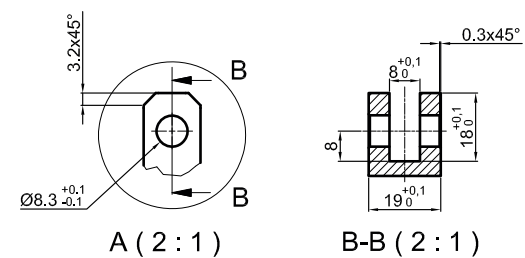
- 0 = No tips
- A = Knurled tips
- B = Self-adjusting knurled tips
- C = Flat tips
- D = Concave/Convex tips (1+1)
- E = Self adjusting flat tips

- N = No sensor
- R = Right (ports side)
- L = Left

Bore Ø	Holding moment	Clamping force at 5 bar	Weight	Mount weight
40 mm	800 Nm	800 N	1,76 Kg	0,3 Kg

Min./Max. operating pressure: **0,4 / 0,6 MPa**
 Operating temperature: **5° ÷ 45° C**
 Opening angle: **adjustable from 10° to 160°**
 Electronic sensor with M12 swivel connector, from 0° to 90°
 Supply voltage: **10 ÷ 30 Vdc**
 IP code: **IP 65**

Subject to technical modifications without notice


UGPS40D2_K_70

LGP40PT110

*: TOLERANCE BETWEEN DOWELS ± 0,02, BETWEEN SCREW HOLES ± 0,1

UGPS40D__K_70
4 ARM
5 TIPS
7 SENSOR MOUNTING
4 5 7

- 0 = Without jaws
- 1 = Jaws set for 1 pair of tips
- 2 = Jaws set for 2 pair of tips

- 0 = No tips
- A = Knurled tips
- B = Self-adjusting knurled tips
- C = Flat tips
- D = Concave/Convex tips (1+1)
- E = Self adjusting flat tips

- N = No sensor
- R = Right (ports side)
- L = Left

Bore Ø	Holding moment	Clamping force at 5 bar	Weight	Mount weight
40 mm	800 Nm	800 N	1,76 Kg	0,43 Kg

Min./Max. operating pressure: **0,4 / 0,6 MPa**
 Operating temperature: **5° ± 45° C**
 Opening angle: **adjustable from 10° to 160°**
 Electronic sensor with M12 swivel connector, from 0° to 90°
 Supply voltage: **10 ÷ 30 Vdc**
 IP code: **IP 65**

Subject to technical modifications without notice