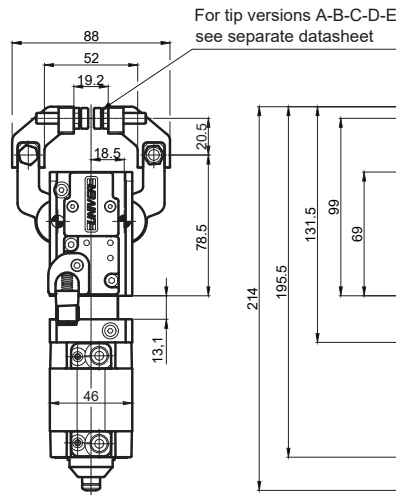
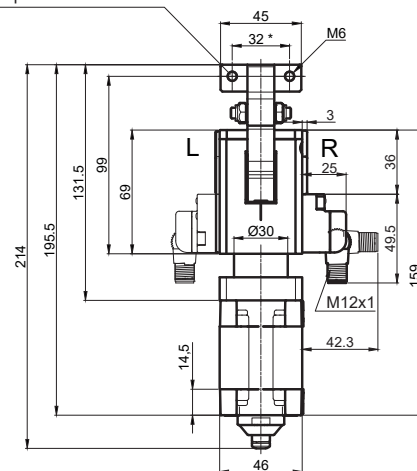
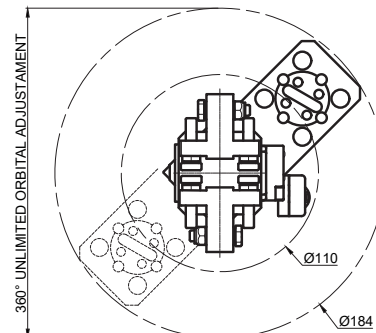
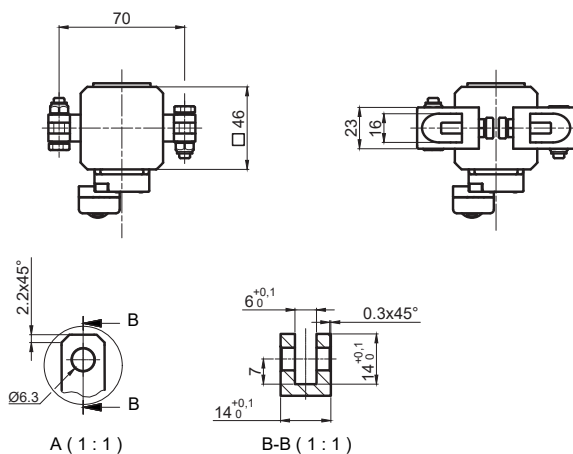
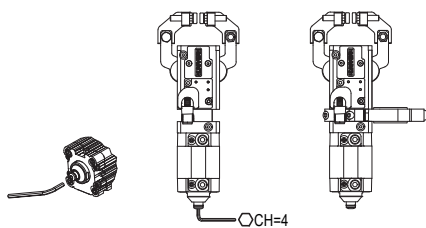

UGPS32D00K_0

UGPS32D1_K_0

UGPS32D2_K_0

UGPS32D2_K_1

LGP32MP

* : TOLERANCE BETWEEN DOWELS ± 0,02, BETWEEN SCREW HOLES ± 0,1

UGPS32D__K_10

4 ARM
5 TIPS
7 SENSOR MOUNTING
4 5 7

0 = Without jaws
 1 = Jaws set for 1 pair of tips
 2 = Jaws set for 2 pair of tips

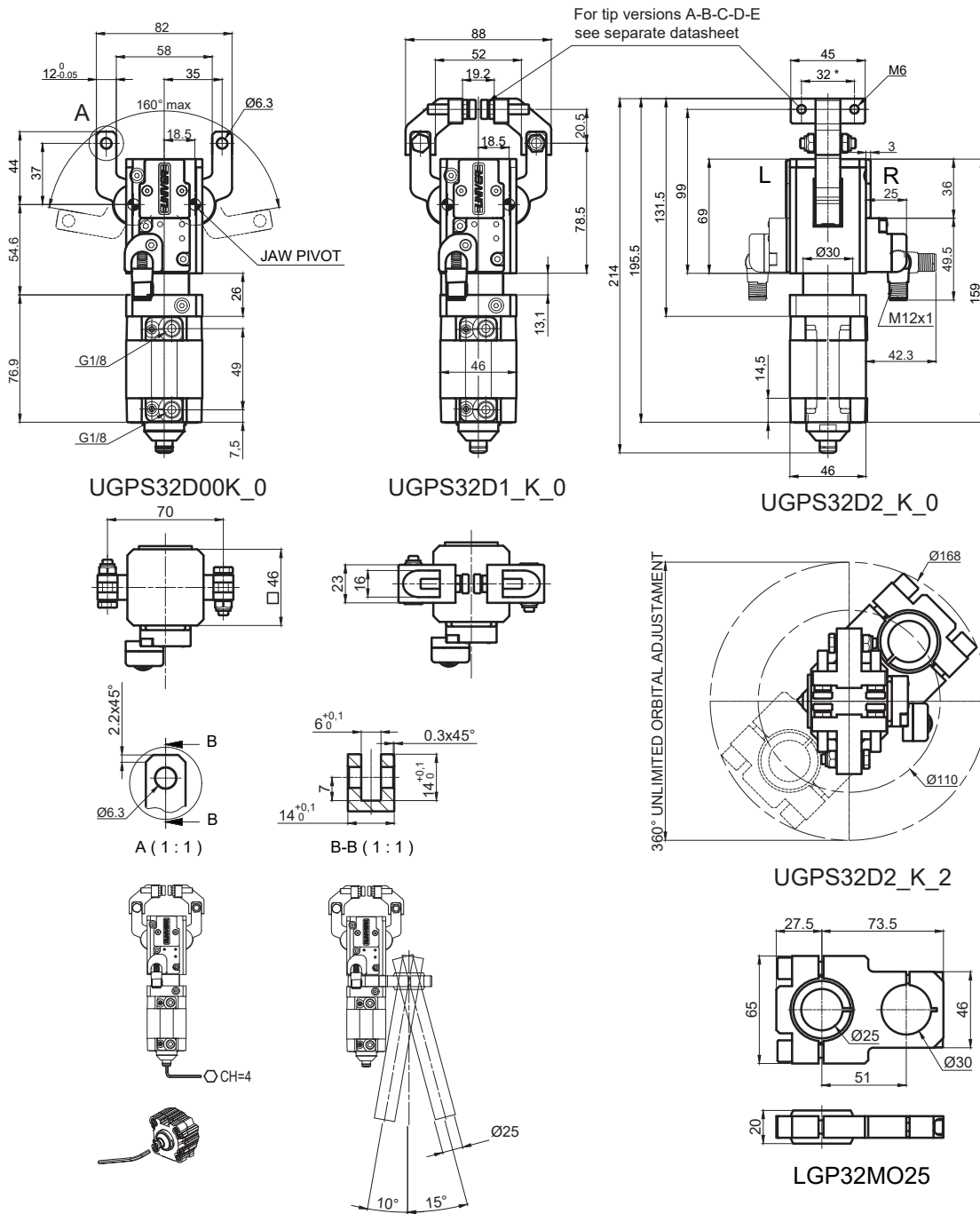
0 = No tips
 A = Knurled tips
 B = Self-adjusting knurled tips
 C = Flat tips
 D = Concave/Convex tips (1+1)
 E = Self adjusting flat tips

N = No sensor
 R = Right (ports side)
 L = Left

Bore Ø	Holding moment	Clamping force at 5 bar	Weight	Mount weight
32 mm	150 Nm	350 N	1 Kg	0,16 Kg

Min./Max. operating pressure: **0,4 / 0,6 MPa**
 Operating temperature: **5° ÷ 45° C**
 Opening angle: **adjustable from 10° to 160°**
 Electronic sensor with M12 swivel connector, from 0° to 90°
 Supply voltage: **10 ÷ 30 Vdc**
 IP code: **IP 65**

Subject to technical modifications without notice



* : TOLERANCE BETWEEN DOWELS ± 0,02, BETWEEN SCREW HOLES ± 0,1

UGPS32D__K_20

4 ARM

5 TIPS

7 SENSOR MOUNTING

4 5 7

- 0 = Without jaws
- 1 = Jaws set for 1 pair of tips
- 2 = Jaws set for 2 pair of tips

- 0 = No tips
- A = Knurled tips
- B = Self-adjusting knurled tips
- C = Flat tips
- D = Concave/Convex tips (1+1)
- E = Self adjusting flat tips

- N = No sensor
- R = Right (ports side)
- L = Left

Bore Ø	Holding moment	Clamping force at 5 bar	Weight	Mount weight
32 mm	150 Nm	350 N	1 Kg	0,19 Kg

Min./Max. operating pressure: **0,4 / 0,6 MPa**

Operating temperature: **5° ÷ 45° C**

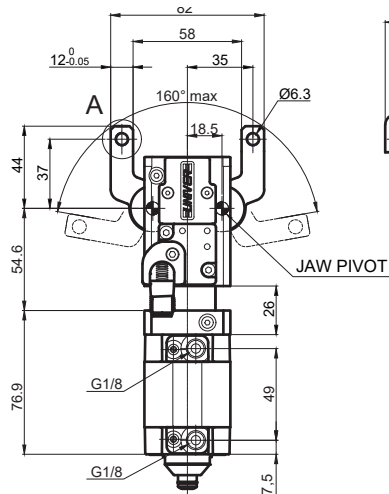
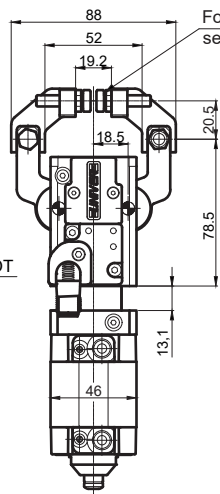
Opening angle: **adjustable from 10° to 160°**

Electronic sensor with M12 swivel connector, from 0° to 90°

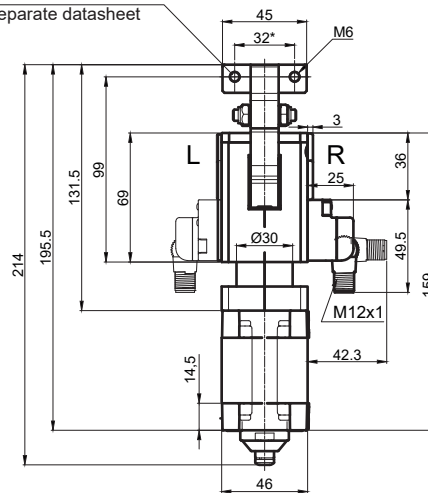
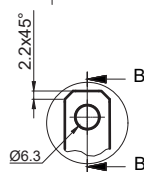
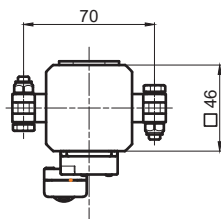
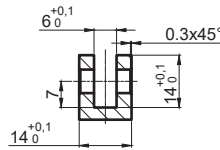
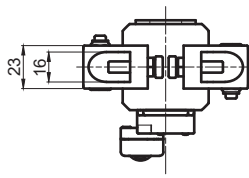
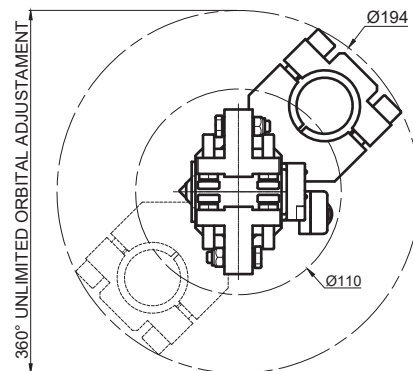
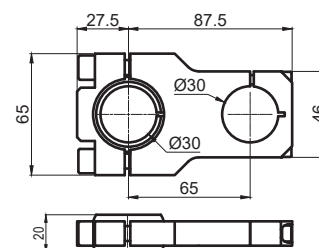
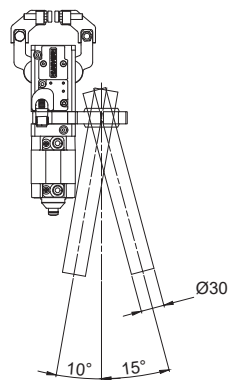
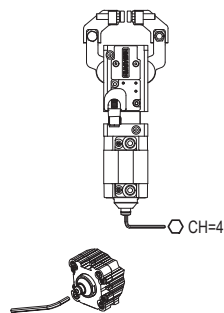
Supply voltage: **10 ÷ 30 Vdc**

IP code: **IP 65**

Subject to technical modifications without notice


UGPS32D00K_0

UGPS32D1_K_0

For tip versions A-B-C-D-E see separate datasheet


UGPS32D2_K_0

A (1 : 1)

B-B (1 : 1)

UGPS32D2_K_3

LGP32MO30

*: TOLERANCE BETWEEN DOWELS ± 0,02, BETWEEN SCREW HOLES ± 0,1

UGPS32D__K_30
4 ARM
5 TIPS
7 SENSOR MOUNTING
4 5 7

- 0 = Without jaws
- 1 = Jaws set for 1 pair of tips
- 2 = Jaws set for 2 pair of tips

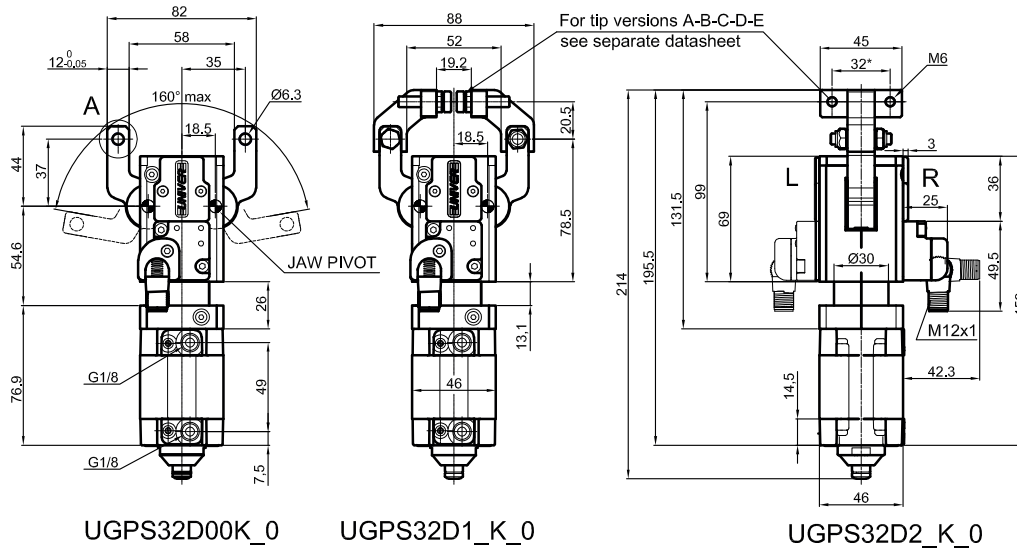
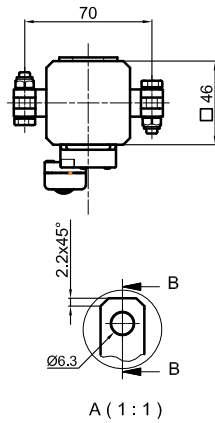
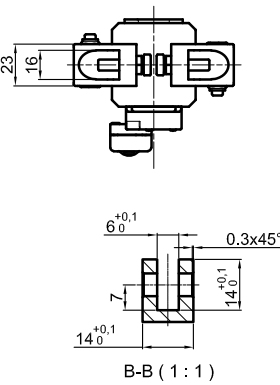
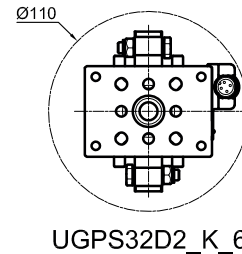
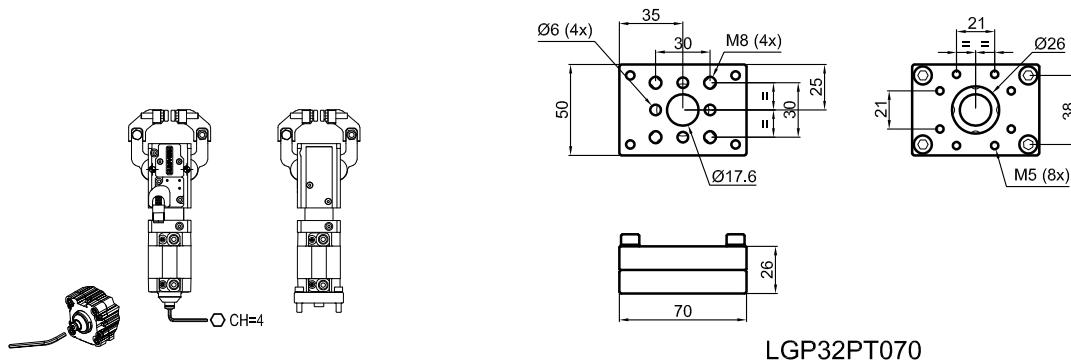
- 0 = No tips
- A = Knurled tips
- B = Self-adjusting knurled tips
- C = Flat tips
- D = Concave/Convex tips (1+1)
- E = Self adjusting flat tips

- N = No sensor
- R = Right (ports side)
- L = Left

Bore Ø	Holding moment	Clamping force at 5 bar	Weight	Mount weight
32 mm	150 Nm	350 N	1 Kg	0,2 Kg

Min./Max. operating pressure: **0,4 / 0,6 MPa**
 Operating temperature: **5° ÷ 45° C**
 Opening angle: **adjustable from 10° to 160°**
 Electronic sensor with M12 swivel connector, from 0° to 90°
 Supply voltage: **10 ÷ 30 Vdc**
 IP code: **IP 65**

Subject to technical modifications without notice


UGPS32D00K_0
UGPS32D1_K_0
UGPS32D2_K_0

A (1 : 1)

B-B (1 : 1)

UGPS32D2_K_6

LGP32PT070

* : TOLERANCE BETWEEN DOWELS ± 0,02, BETWEEN SCREW HOLES ± 0,1

UGPS32D__K_60

4 ARM
5 TIPS
7 SENSOR MOUNTING
4 5 7

- 0 = Without jaws
- 1 = Jaws set for 1 pair of tips
- 2 = Jaws set for 2 pair of tips

- 0 = No tips
- A = Knurled tips
- B = Self-adjusting knurled tips
- C = Flat tips
- D = Concave/Convex tips (1+1)
- E = Self adjusting flat tips

- N = No sensor
- R = Right (ports side)
- L = Left

Bore Ø	Holding moment	Clamping force at 5 bar	Weight	Mount weight
32 mm	150 Nm	350 N	1 Kg	0,24 Kg

Min./Max. operating pressure: **0,4 / 0,6 MPa**
 Operating temperature: **5° ± 45° C**
 Opening angle: **adjustable from 10° to 160°**
 Electronic sensor with M12 swivel connector, from 0° to 90°
 Supply voltage: **10 ± 30 Vdc**
 IP code: **IP 65**

Subject to technical modifications without notice