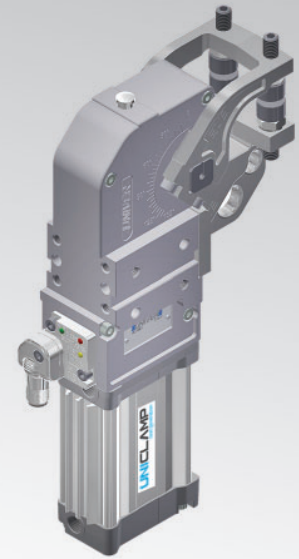


# UGP40

UNICLAMP Gripper units



U	G	P	4	0	V	B	S	K	0
1	2	3	4	5	6	7	8		

<b>1 Series</b>	<b>2 Version</b>	<b>3 Size</b>
-----------------	------------------	---------------

**UG** = UNICLAMP Gripper Units  
fully adjustable opening angle:  
**0° to 95° Max**  
The opening angle range may vary  
according to the jaw position and style

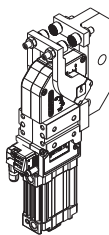
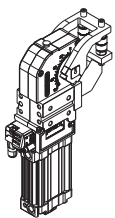
**P** = Pneumatic

**40** = Ø 40 mm

<b>4 Jaw position</b>	<b>5 Movement type</b>	<b>6 Jaw material</b>
-----------------------	------------------------	-----------------------

**V** = 90°

**O** = 180°



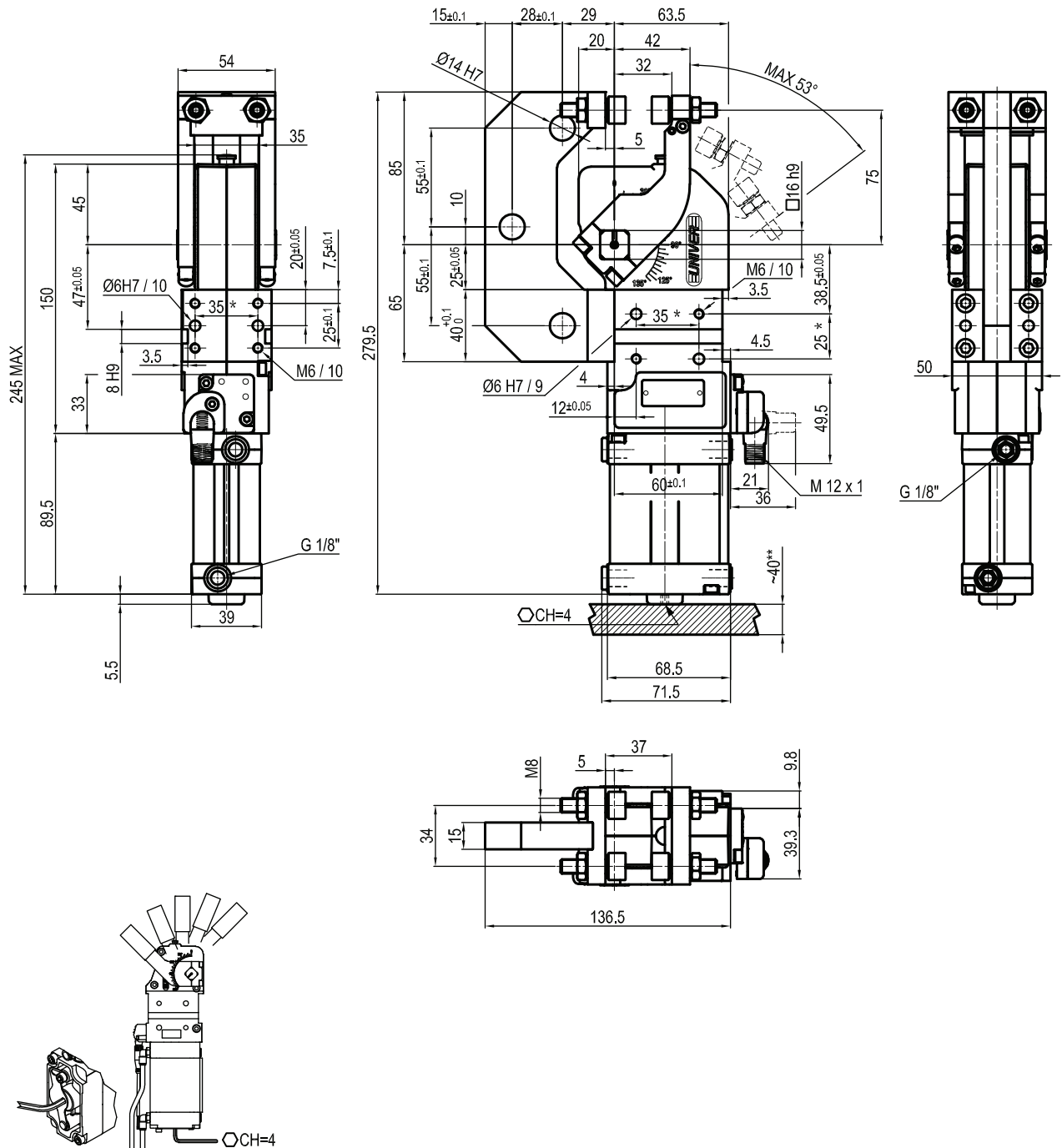
**B** = Double movement; two-tip jaws  
available only for vertical jaw position  
**F** = Double movement; one-tip jaws  
available only for vertical jaw position  
**L** = Single movement; two-tip jaws  
**H** = Double movement; no tips  
available only for vertical jaw position  
**1** = Single movement; 1 pair of knurled tips  
**2** = Single movement; 2 pair of knurled tips

**S** = Steel jaws

<b>7 Sensor</b>	<b>8 Product revision</b>
-----------------	---------------------------

**N** = No sensor (with protection plate)  
**K** = Electronic sensor PNP (optical) (DF-K)  
**D** = Pneumatic sensor  
**J** = Electronic sensor NPN (optical) (DF-J)  
**Y** = Electronic sensor PNP (optical) (DF-Y) white led

Assigned by UNIVER

**UGP40OLSK0**


Bore Ø	Holding moment	Clamping moment (0,5 Mpa)	Weight (Tips not included)	Tip weight (each one)
40 mm	600 Nm	170 N	2,1 Kg	0,3 Kg

\*: TOLERANCE BETWEEN DOWELS  $\pm 0,02$ , BETWEEN SCREW HOLES  $\pm 0,1$

\*\* : AREA TO ACCESS ANGLE ADJUSTMENT

Min./Max. operating pressure: **0,4 / 0,6 MPa**

Operating temperature: **5° ÷ 45° C**

Opening angle: **adjustable from 0° to 53°**

With steel arm

Electronic sensor with M12 swivel connector, from 0° to 90°, in steps of 10°

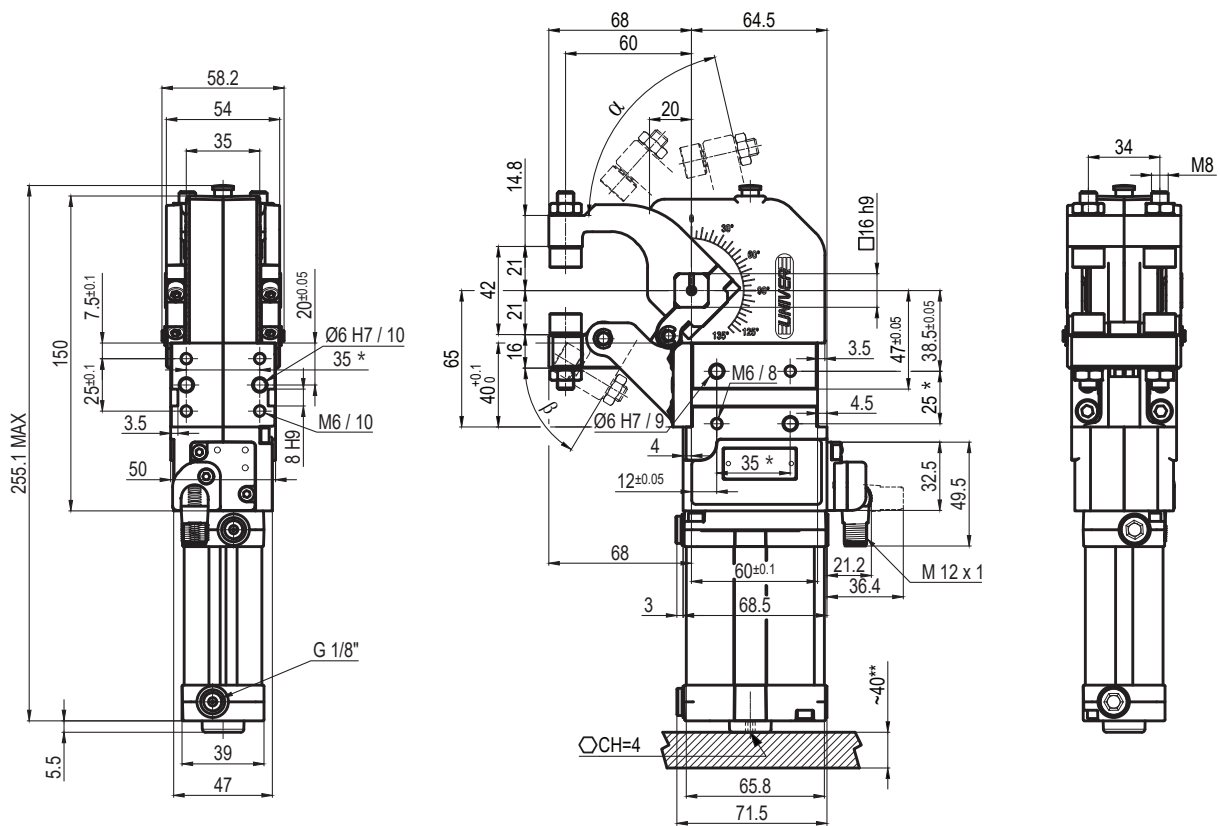
Supply voltage: 10 ÷ 30 Vdc

IP code: **IP 65**

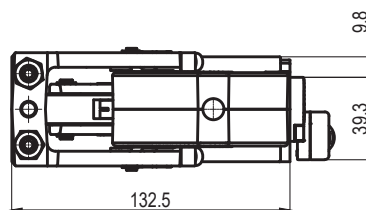
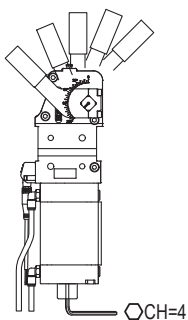
Pneumatic ports on both sides

Beidseitige pneumatische Anschlüsse

Subject to technical modifications without notice

**UGP40VBSK0**


$\alpha$	$\beta$
MAX	MAX
77°	59°



Bore Ø	Holding moment	Clamping moment (0,5 Mpa)	Weight (Tips not included)	Tip weight (each one)
40 mm	600 Nm	170 N	2,15 Kg	0,3 Kg

 Min./Max. operating pressure: **0,4 / 0,6 MPa**

 Operating temperature: **5° ÷ 45° C**

 Opening angle: **adjustable from 0° to 77°**

With steel arm

Electronic sensor with M12 swivel connector, from 0° to 90°, in steps of 10°

Supply voltage: 10 ÷ 30 Vdc

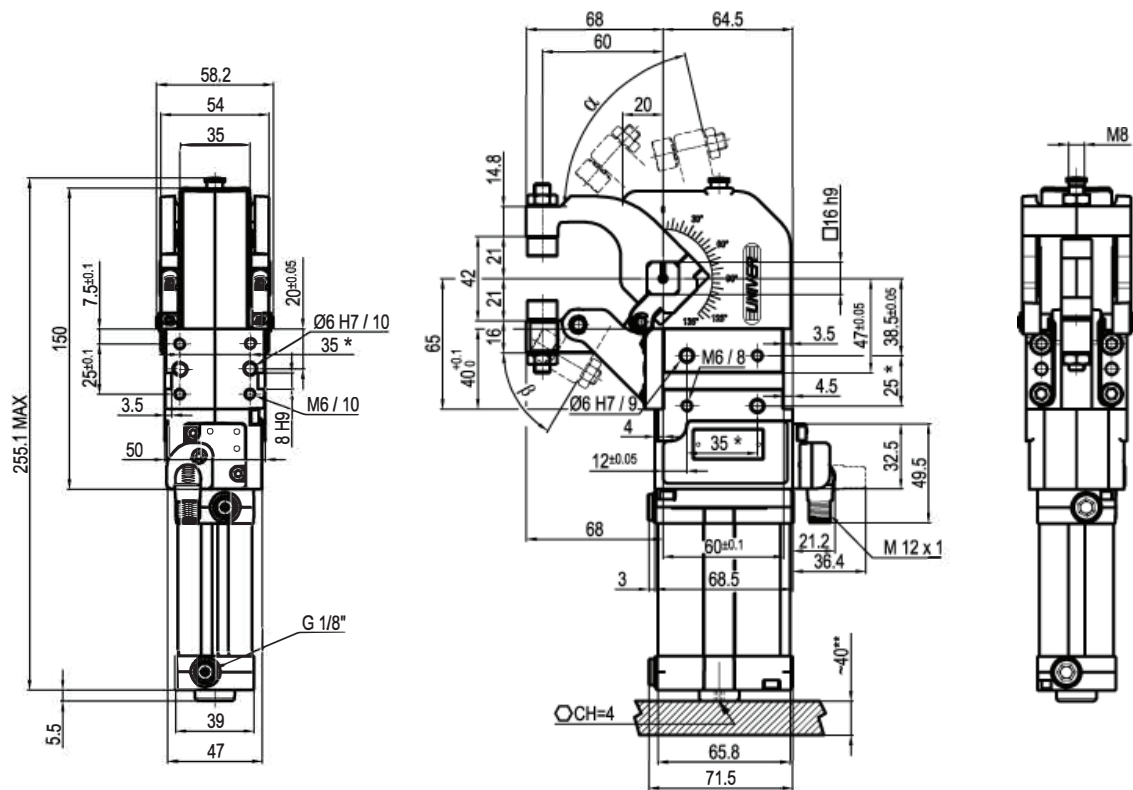
 IP code: **IP 65**

Pneumatic ports on both sides

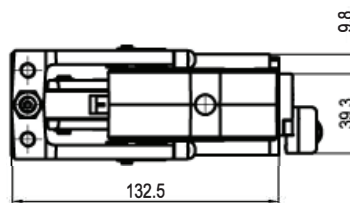
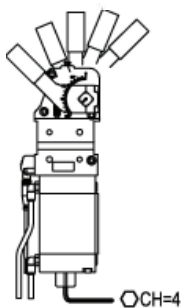
 \*: TOLERANCE BETWEEN DOWELS  $\pm 0,02$ , BETWEEN SCREW HOLES  $\pm 0,1$ 

\*\*: AREA TO ACCESS ANGLE ADJUSTMENT

Subject to technical modifications without notice

**UGP40VFSK0**


$\alpha$ MAX	$\beta$ MAX
77°	59°



Bore Ø	Holding moment	Clamping moment (0,5 Mpa)	Weight (Tips not included)	Tip weight (each one)
40 mm	600 Nm	170 N	2,05 Kg	0,3 Kg

 Min./Max. operating pressure: **0,4 / 0,6 MPa**

 Operating temperature: **5° ÷ 45° C**

 Opening angle: **adjustable from 0° to 77°**

With steel arm

Electronic sensor with M12 swivel connector, from 0° to 90°, in steps of 10°

Supply voltage: 10 ÷ 30 Vdc

 IP code: **IP 65**

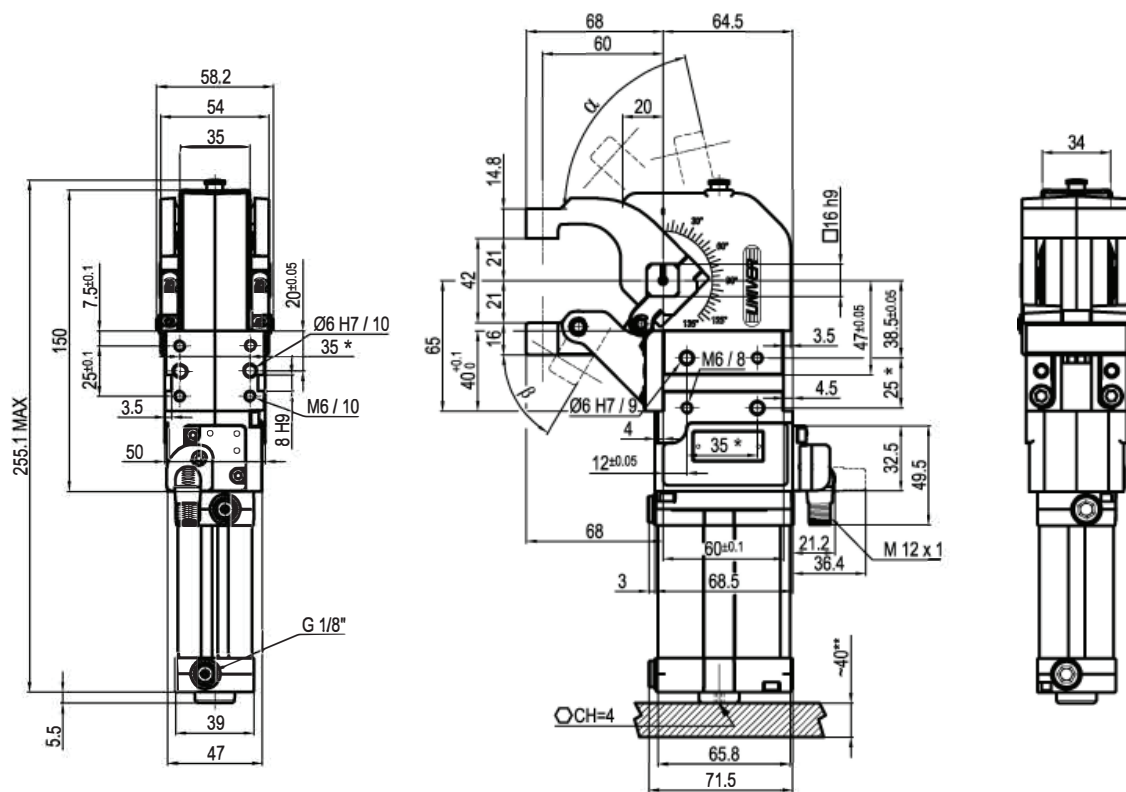
Pneumatic ports on both sides

\*: TOLERANCE BETWEEN DOWELS ± 0,02, BETWEEN SCREW HOLES ± 0,1

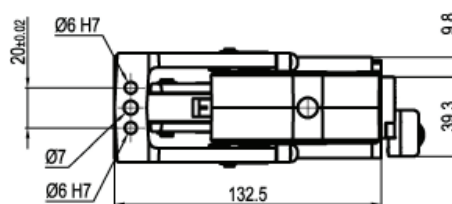
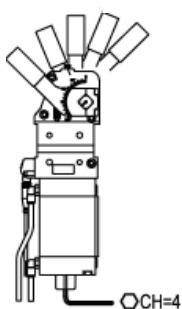
\*\*: AREA TO ACCESS ANGLE ADJUSTMENT

Subject to technical modifications without notice

## UGP40VHSKO



$\alpha$ MAX	$\beta$ MAX
77°	59°



Bore Ø	Holding moment	Clamping moment (0,5 Mpa)	Weight (Tips not included)	Tip weight (each one)
40 mm	600 Nm	170 N	2,15 Kg	0,3 Kg

 Min./Max. operating pressure: **0,4 / 0,6 MPa**

 Operating temperature: **5° ÷ 45° C**

 Opening angle: **adjustable from 0° to 77°**

With steel arm

Electronic sensor with M12 swivel connector, from 0° to 90°, in steps of 10°

Supply voltage: 10 ÷ 30 Vdc

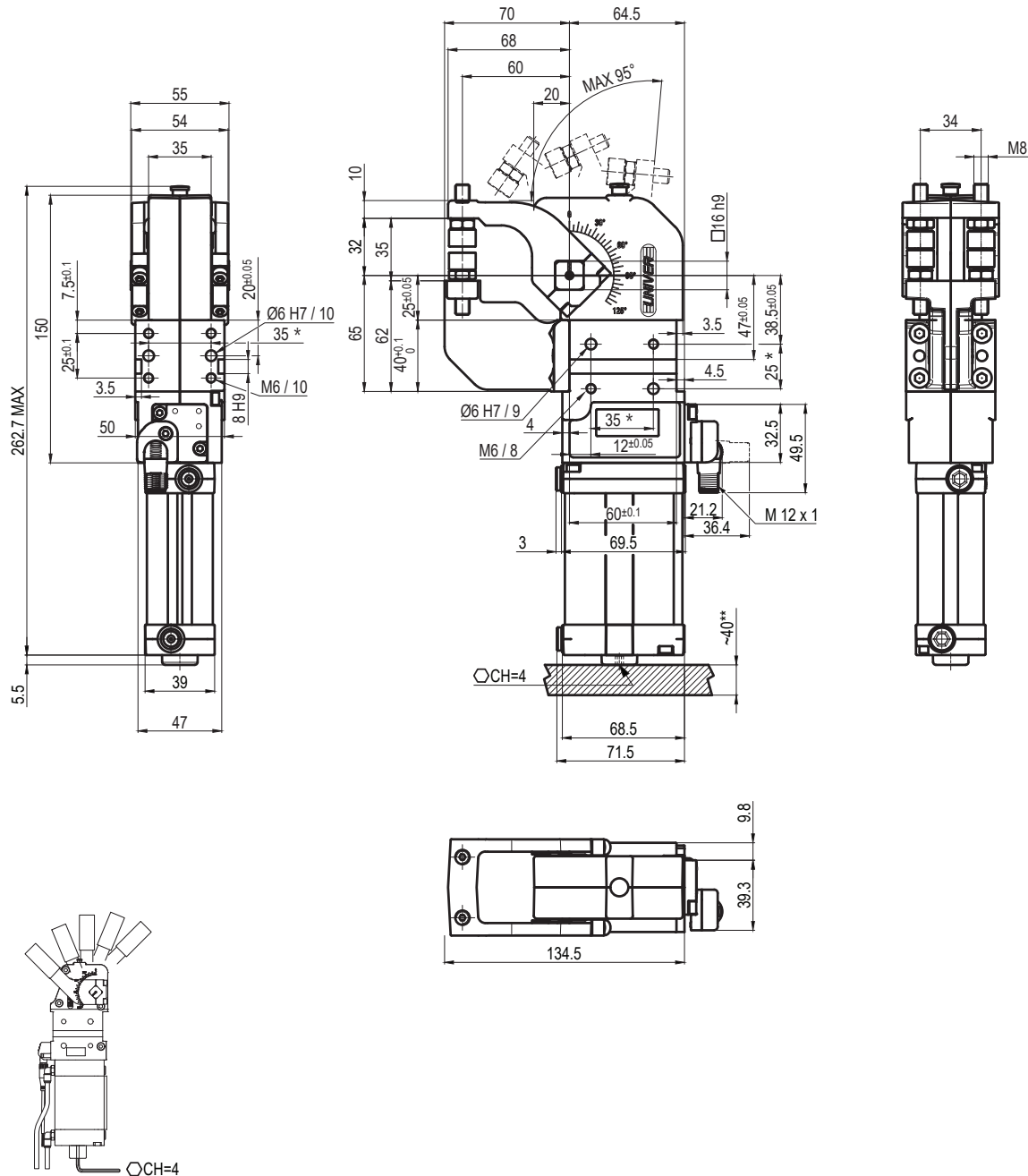
 IP code: **IP 65**

Pneumatic ports on both sides

\*: TOLERANCE BETWEEN DOWELS ± 0,02, BETWEEN SCREW HOLES ± 0,1

\*\*: AREA TO ACCESS ANGLE ADJUSTMENT

Subject to technical modifications without notice

**UGP40VLSK0**


Bore Ø	Holding moment	Clamping moment (0,5 Mpa)	Weight (Tips not included)	Tip weight (each one)
40 mm	600 Nm	170 N	2 Kg	0,3 Kg

\*: TOLERANCE BETWEEN DOWELS  $\pm 0,02$ , BETWEEN SCREW HOLES  $\pm 0,1$

\*\*:: AREA TO ACCESS ANGLE ADJUSTMENT

Subject to technical modifications without notice

Min./Max. operating pressure: **0,4 / 0,6 MPa**

Operating temperature: **5° ÷ 45° C**

Opening angle: **adjustable from 0° to 95°**

With steel arm

Electronic sensor with M12 swivel connector, from 0° to 90°, in steps of 10°

Supply voltage: 10 ÷ 30 Vdc

IP code: **IP 65**

Pneumatic ports on both sides

Beidseitige pneumatische Anschlüsse