

Bore Ø	Holding moment	Clamping moment (0,5 Mpa)	Weight (Tips not included)	Tip weight (each one)
40 mm	600 Nm	2200 N	2,4 Kg	0,3 Kg

 Min./Max. operating pressure: **0,4 / 0,6 MPa**

 Operating temperature: **5° ÷ 45° C**

 Opening angle: **adjustable from 0° to 53°**

With steel arm

Electronic sensor with M12 swivel connector, from 0° to 90°

 Supply voltage: **10 ÷ 30 Vdc**

 IP code: **IP 65**

Pneumatic ports on both sides

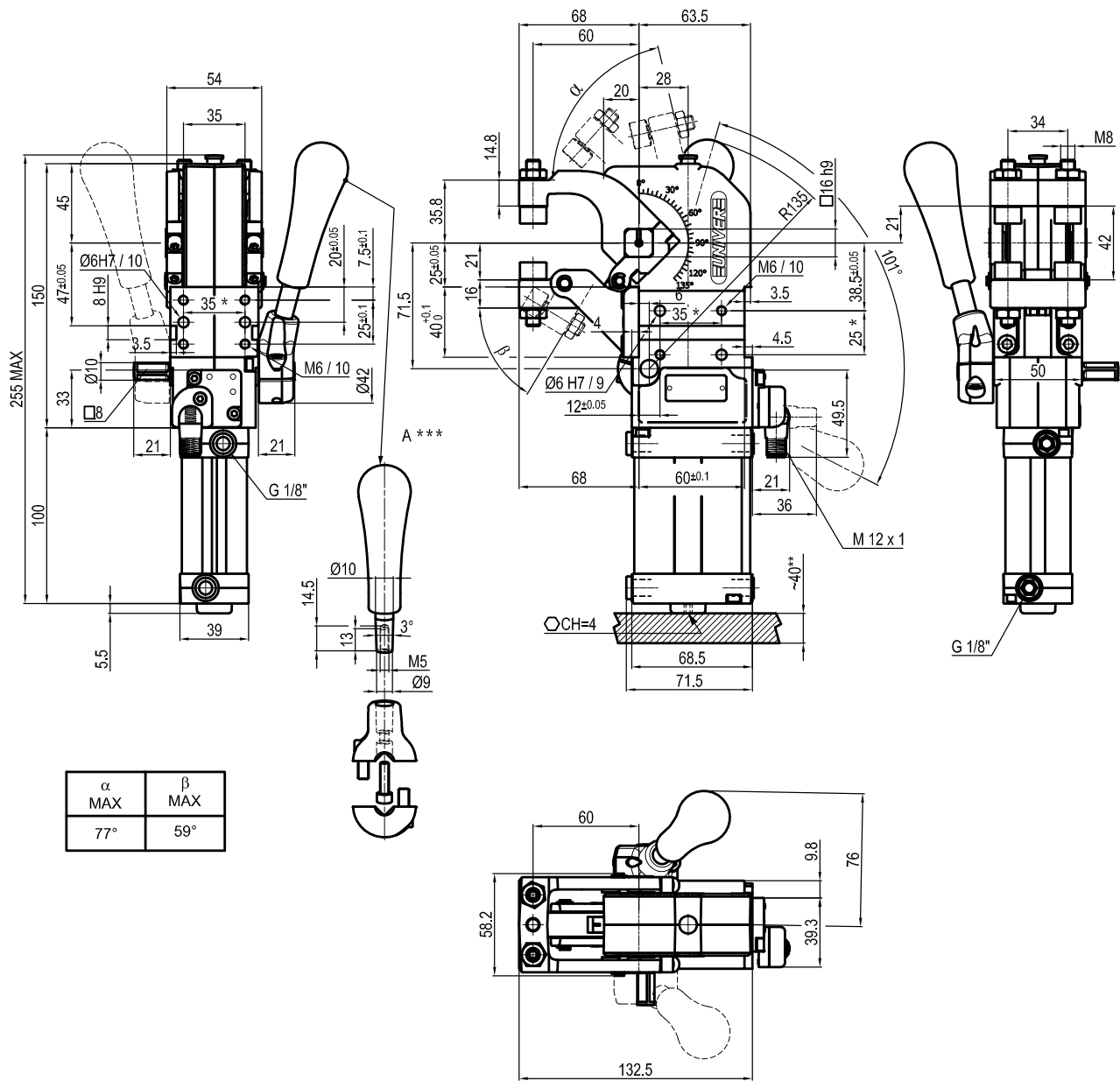
*: TOLERANCE BETWEEN DOWELS ± 0,02, BETWEEN SCREW HOLES ± 0,1

**: AREA TO ACCESS ANGLE ADJUSTMENT

***: DIMENSIONS TO BE RESPECTED IN CASE OTHER MANUAL LEVERS ARE USED

Subject to technical modifications without notice

Rev. 01 26.01.22



Bore \varnothing	Holding moment	Clamping moment (0,5 Mpa)	Weight (Tips not included)	Tip weight (each one)
40 mm	600 Nm	2800 N	2,45 Kg	0,3 Kg

 Min./Max. operating pressure: **0,4 / 0,6 MPa**

 Operating temperature: **5° ÷ 45° C**

 Opening angle: **adjustable from 0° to 77°**

With steel arm

Electronic sensor with M12 swivel connector, from 0° to 90°

 Supply voltage: **10 ÷ 30 Vdc**

 IP code: **IP 65**

Pneumatic ports on both sides

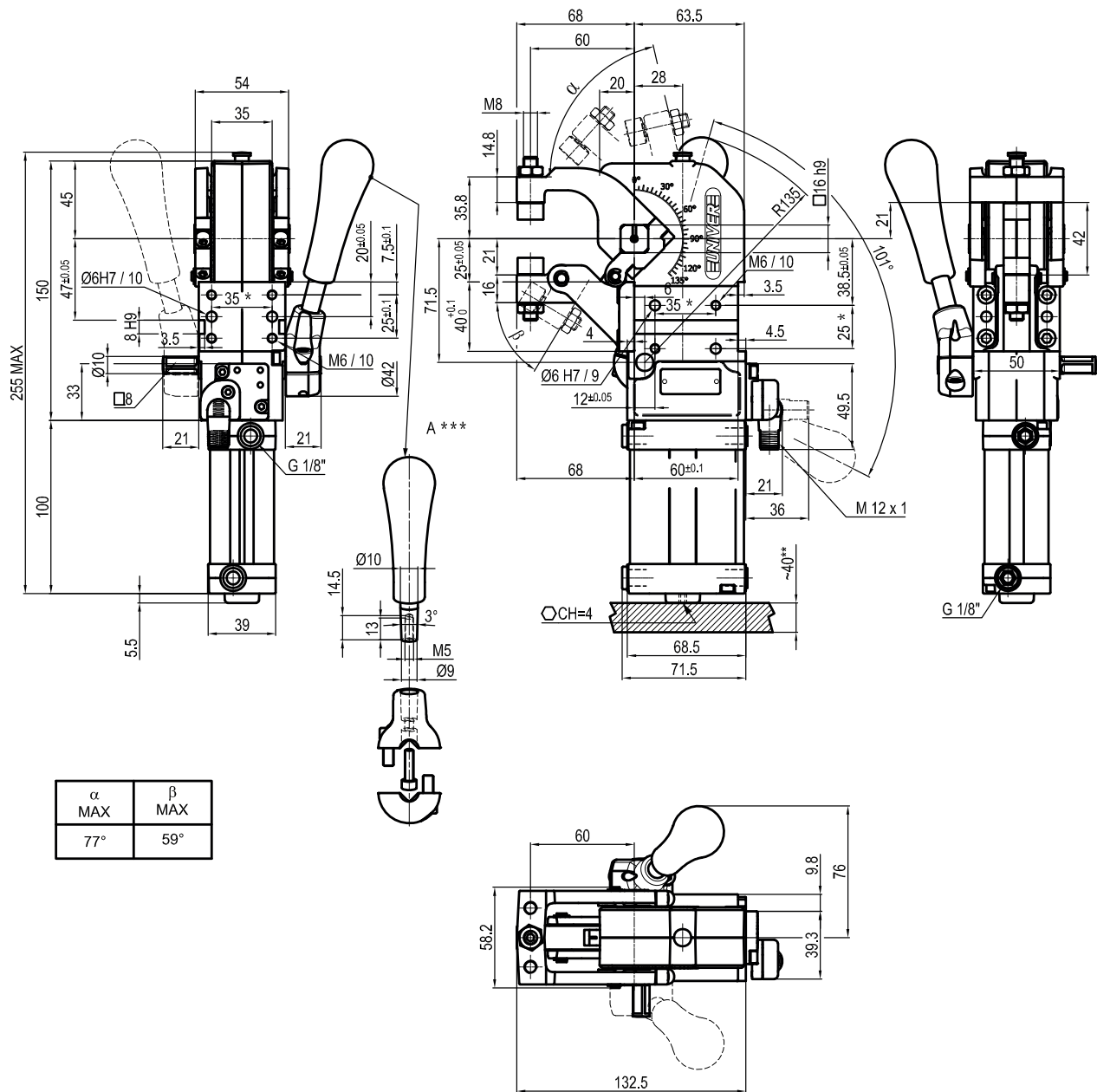
 *: TOLERANCE BETWEEN DOWELS $\pm 0,02$, BETWEEN SCREW HOLES $\pm 0,1$

**: AREA TO ACCESS ANGLE ADJUSTMENT

***: DIMENSIONS TO BE RESPECTED IN CASE OTHER MANUAL LEVERS ARE USED

Subject to technical modifications without notice

Rev. 01 26.01.22



Bore \varnothing	Holding moment	Clamping moment (0,5 Mpa)	Weight (Tips not included)	Tip weight (each one)
40 mm	600 Nm	2800 N	2,35 Kg	0,3 Kg

 Min./Max. operating pressure: **0,4 / 0,6 MPa**

 Operating temperature: **5° ÷ 45° C**

 Opening angle: **adjustable from 0° to 77°**

With steel arm

Electronic sensor with M12 swivel connector, from 0° to 90°

 Supply voltage: **10 ÷ 30 Vdc**

 IP code: **IP 65**

Pneumatic ports on both sides

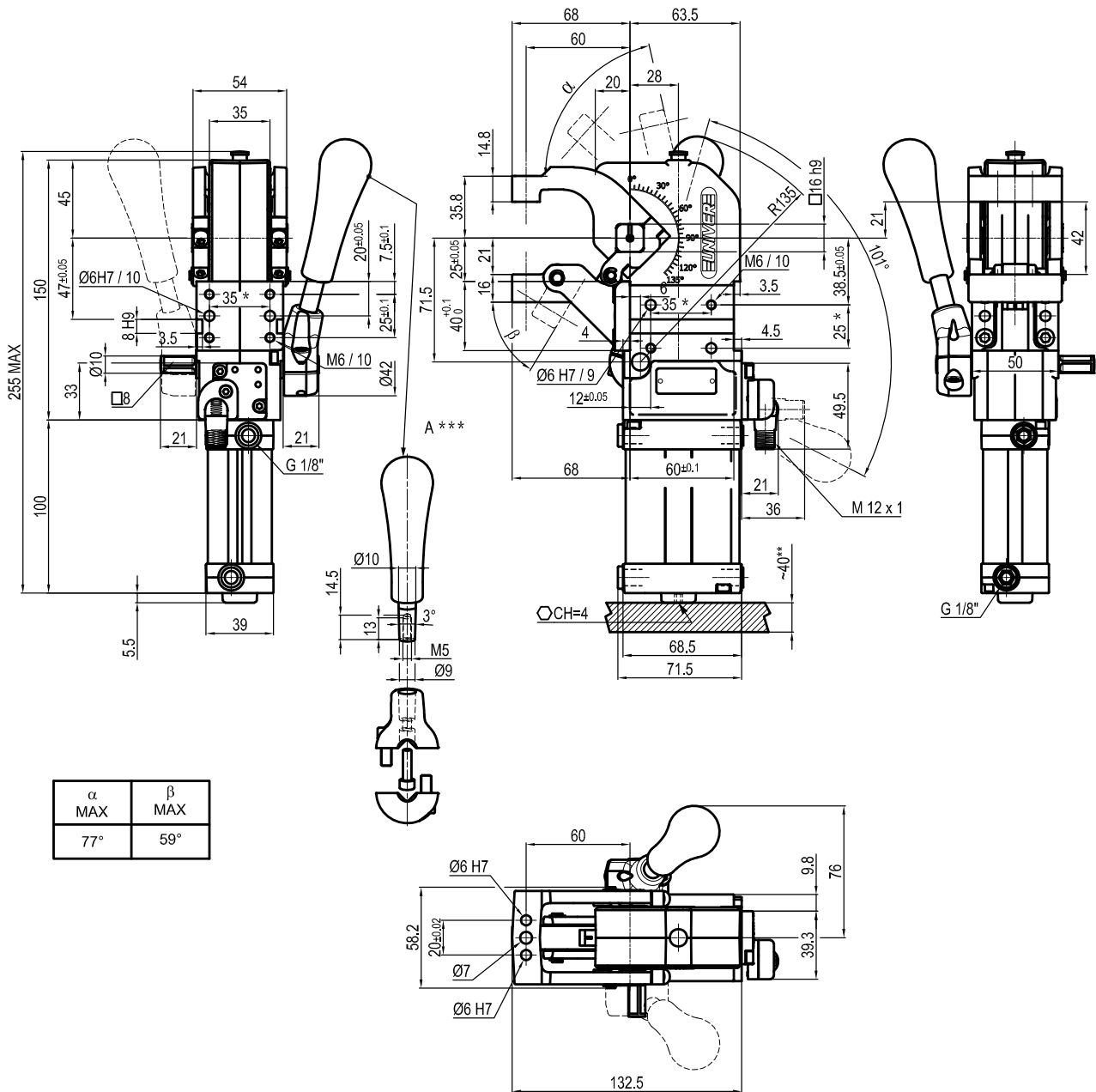
 *: TOLERANCE BETWEEN DOWELS $\pm 0,02$, BETWEEN SCREW HOLES $\pm 0,1$

**: AREA TO ACCESS ANGLE ADJUSTMENT

***: DIMENSIONS TO BE RESPECTED IN CASE OTHER MANUAL LEVERS ARE USED

Subject to technical modifications without notice

Rev. 01 26.01.22

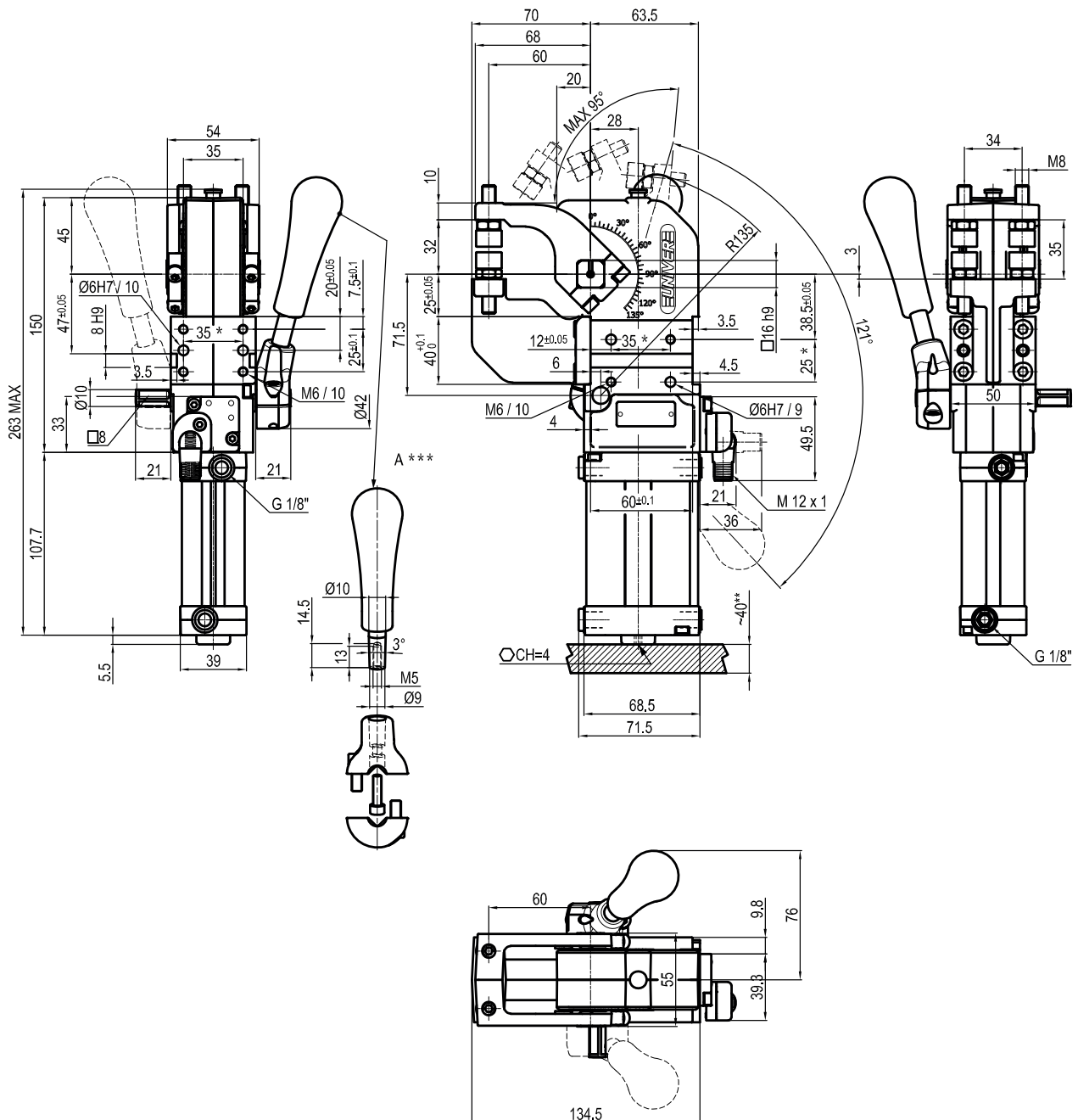


Bore Ø	Holding moment	Clamping moment (0,5 Mpa)	Weight (Tips not included)	Tip weight (each one)
40 mm	600 Nm	2800 N	2,45 Kg	0,3 Kg

Min./Max. operating pressure: **0,4 / 0,6 MPa**
 Operating temperature: **5° ÷ 45° C**
 Opening angle: **adjustable from 0° to 77°**
 With steel arm
 Electronic sensor with M12 swivel connector, from 0° to 90°
 Supply voltage: **10 ÷ 30 Vdc**
 IP code: **IP 65**
 Pneumatic ports on both sides

* : TOLERANCE BETWEEN DOWELS ± 0,02, BETWEEN SCREW HOLES ± 0,1
 **: AREA TO ACCESS ANGLE ADJUSTMENT
 ***: DIMENSIONS TO BE RESPECTED IN CASE OTHER MANUAL LEVERS ARE USED

Subject to technical modifications without notice



Bore Ø	Holding moment	Clamping moment (0,5 Mpa)	Weight (Tips not included)	Tip weight (each one)
40 mm	600 Nm	2800 N	2,3 Kg	0,3 Kg

 Min./Max. operating pressure: **0,4 / 0,6 MPa**

 Operating temperature: **5° ÷ 45° C**

 Opening angle: **adjustable from 0° to 95°**

With steel arm

Electronic sensor with M12 swivel connector, from 0° to 90°

 Supply voltage: **10 ÷ 30 Vdc**

 IP code: **IP 65**

Pneumatic ports on both sides

*: TOLERANCE BETWEEN DOWELS ± 0,02, BETWEEN SCREW HOLES ± 0,1

**: AREA TO ACCESS ANGLE ADJUSTMENT

***: DIMENSIONS TO BE RESPECTED IN CASE OTHER MANUAL LEVERS ARE USED

Subject to technical modifications without notice

Rev. 01 26.01.22