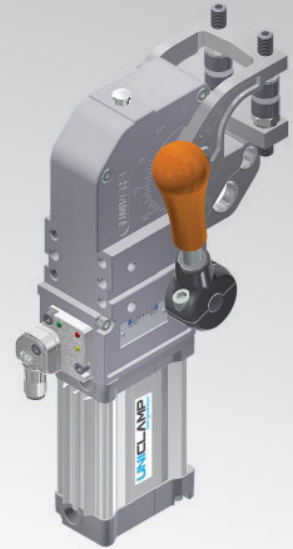
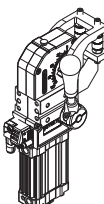
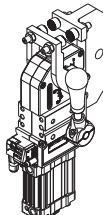


# UGM40

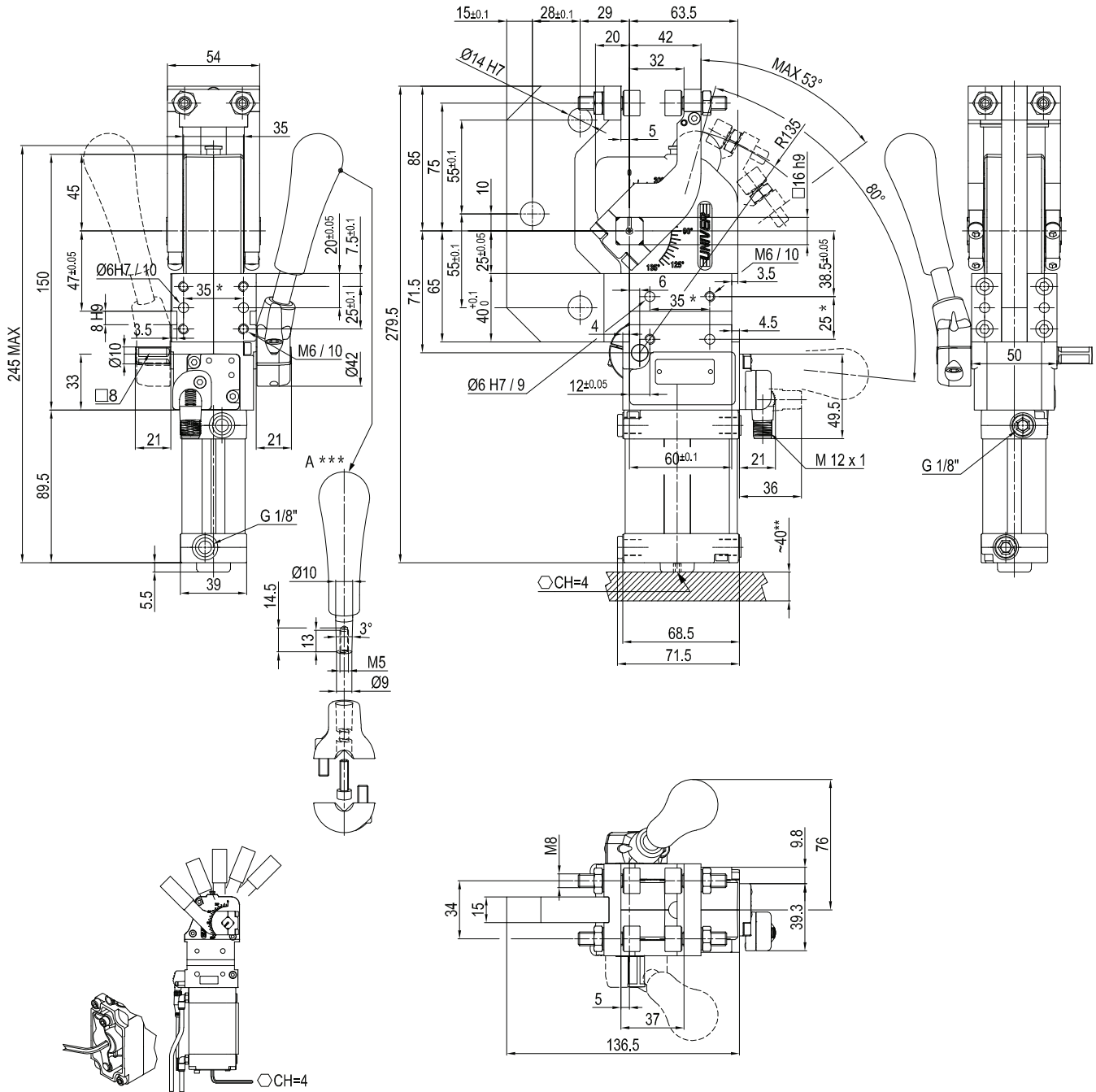
UNICLAMP Gripper units with hand lever



U	G	M	4	0	V	B	S	K	0
1	2	3	4	5	6	7	8		

<b>1 Series</b> <b>UG = UNIVERSAL</b> Gripper Units fully adjustable opening angle: <b>0° to 95° Max</b> The opening angle range may vary according to the jaw position and style	<b>2 Version</b> <b>M = Pneumatic with hand lever</b>	<b>3 Size</b> <b>40 = Ø 40 mm</b>
<b>4 Jaw position</b> <b>V = 90°</b>  <b>O = 180°</b> 	<b>5 Movement type</b> <b>B = Double movement; two-tip jaws</b> available only for vertical jaw position <b>F = Double movement; one-tip jaws</b> available only for vertical jaw position <b>L = Single movement; two-tip jaws</b> <b>H = Double movement; no tips</b> available only for vertical jaw position <b>1 = Single movement; 1 pair of knurled tips</b> <b>2 = Single movement; 2 pair of knurled tips</b>	
<b>7 Sensor</b> <b>N = No sensor</b> (with protection plate) <b>K = Electronic sensor PNP</b> (optical) (DF-K) <b>D = Pneumatic sensor</b> <b>J = Electronic sensor NPN</b> (optical) (DF-J) <b>Y = Electronic sensor PNP</b> (optical) (DF-Y) white led	<b>8 Product revision</b> Assigned by UNIVER	

UGM40OLSK0



Bore $\varnothing$	Holding moment	Clamping moment (0,5 Mpa)	Weight (Tips not included)	Tip weight (each one)
40 mm	600 Nm	170 N	2,4 Kg	0,3 Kg

Min./Max. operating pressure: **0,4 / 0,6 MPa**

Operating temperature: **5° ± 45° C**

Opening angle: **adjustable from 0° to 53°**

With steel arm

Electronic sensor with M12 swivel connector, from 0° to 90°, in steps of 10°

Supply voltage: 10 ÷ 30 Vdc

IP code: **IP 65**

Pneumatic ports on both sides

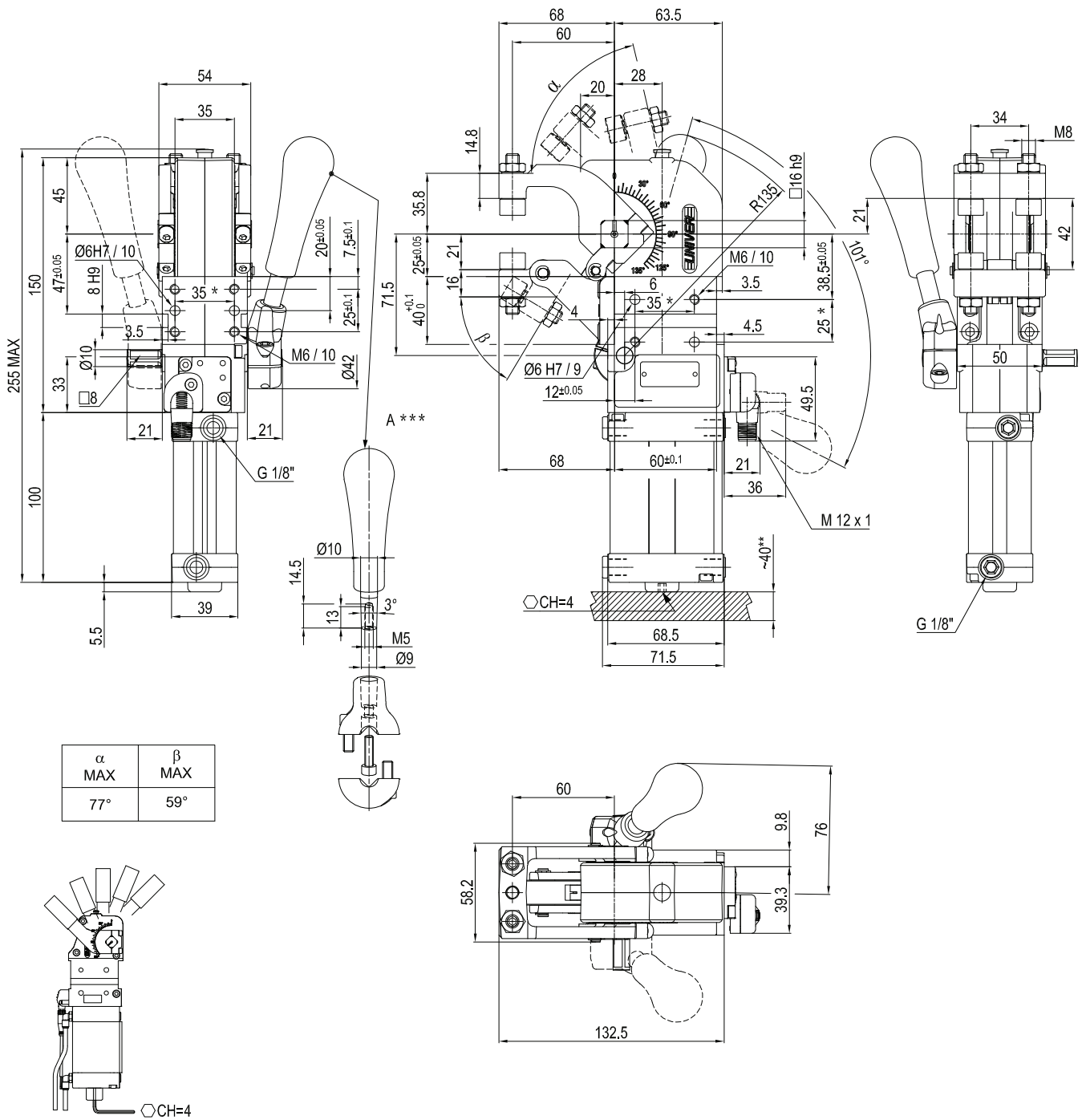
\*: TOLERANCE BETWEEN DOWELS ± 0,02, BETWEEN SCREW HOLES ± 0,1

\*\* : AREA TO ACCESS ANGLE ADJUSTMENT

\*\*\*: DIMENSIONS TO BE RESPECTED IN CASE OTHER MANUAL LEVERS ARE USED

Subject to technical modifications without notice

## UGM40VBSK0



Bore $\varnothing$	Holding moment	Clamping moment (0,5 Mpa)	Weight (Tips not included)	Tip weight (each one)
40 mm	600 Nm	170 N	2,45 Kg	0,3 Kg

 Min./Max. operating pressure: **0,4 / 0,6 MPa**

 Operating temperature: **5° ± 45° C**

 Opening angle: **adjustable from 0° to 77°**

With steel arm

Electronic sensor with M12 swivel connector, from 0° to 90°, in steps of 10°

Supply voltage: 10 ÷ 30 Vdc

 IP code: **IP 65**

Pneumatic ports on both sides

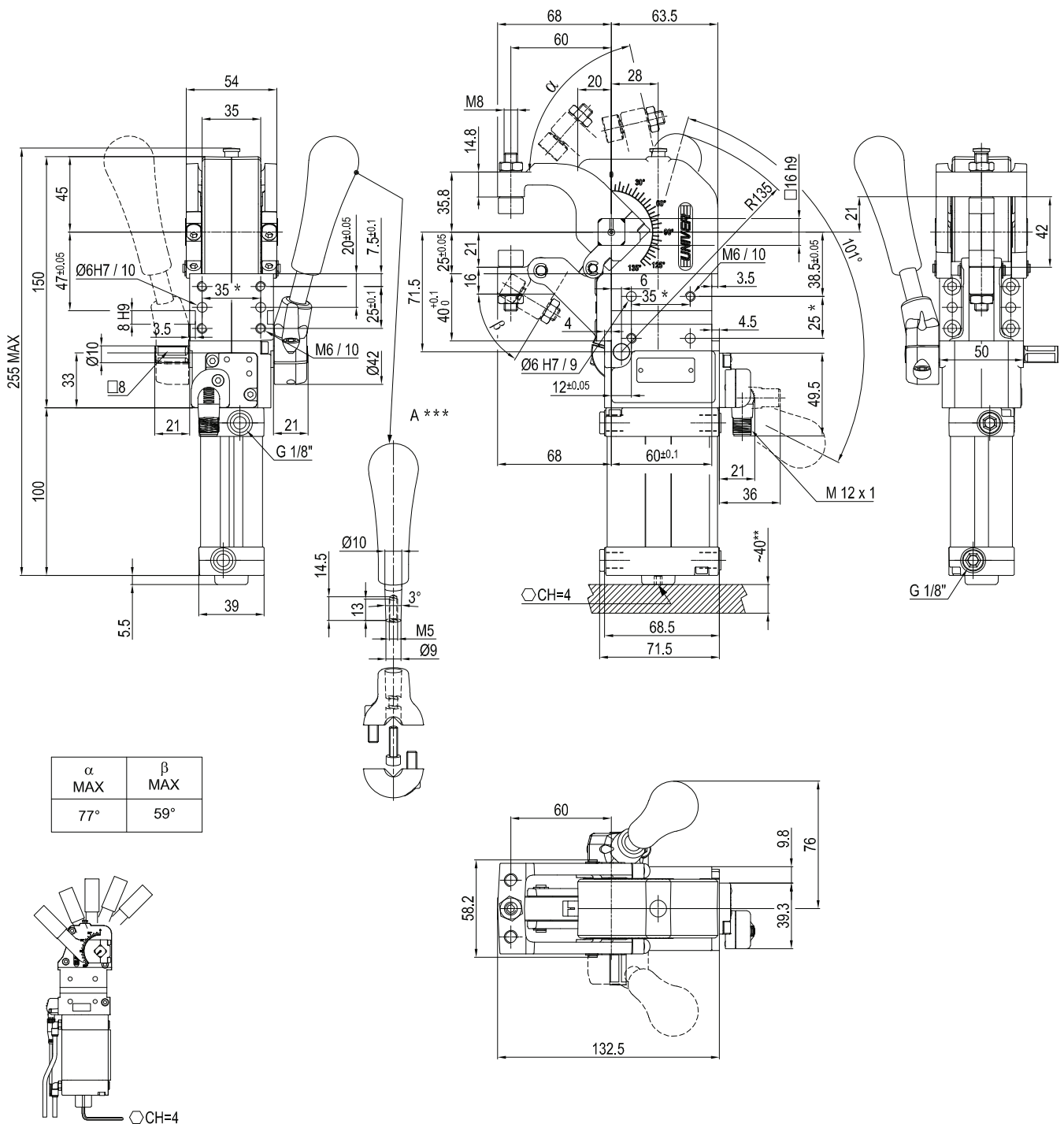
\*: TOLERANCE BETWEEN DOWELS ± 0,02, BETWEEN SCREW HOLES ± 0,1

\*\*: AREA TO ACCESS ANGLE ADJUSTMENT

\*\*\*: DIMENSIONS TO BE RESPECTED IN CASE OTHER MANUAL LEVERS ARE USED

Subject to technical modifications without notice

## UGM40VFSK0



Bore $\varnothing$	Holding moment	Clamping moment (0,5 Mpa)	Weight (Tips not included)	Tip weight (each one)
40 mm	600 Nm	170 N	2,35 Kg	0,3 Kg

 Min./Max. operating pressure: **0,4 / 0,6 MPa**

 Operating temperature: **5° ± 45° C**

 Opening angle: **adjustable from 0° to 77°**

With steel arm

 Electronic sensor with M12 swivel connector, from 0° to 90°,  
in steps of 10°

Supply voltage: 10 ± 30 Vdc

 IP code: **IP 65**

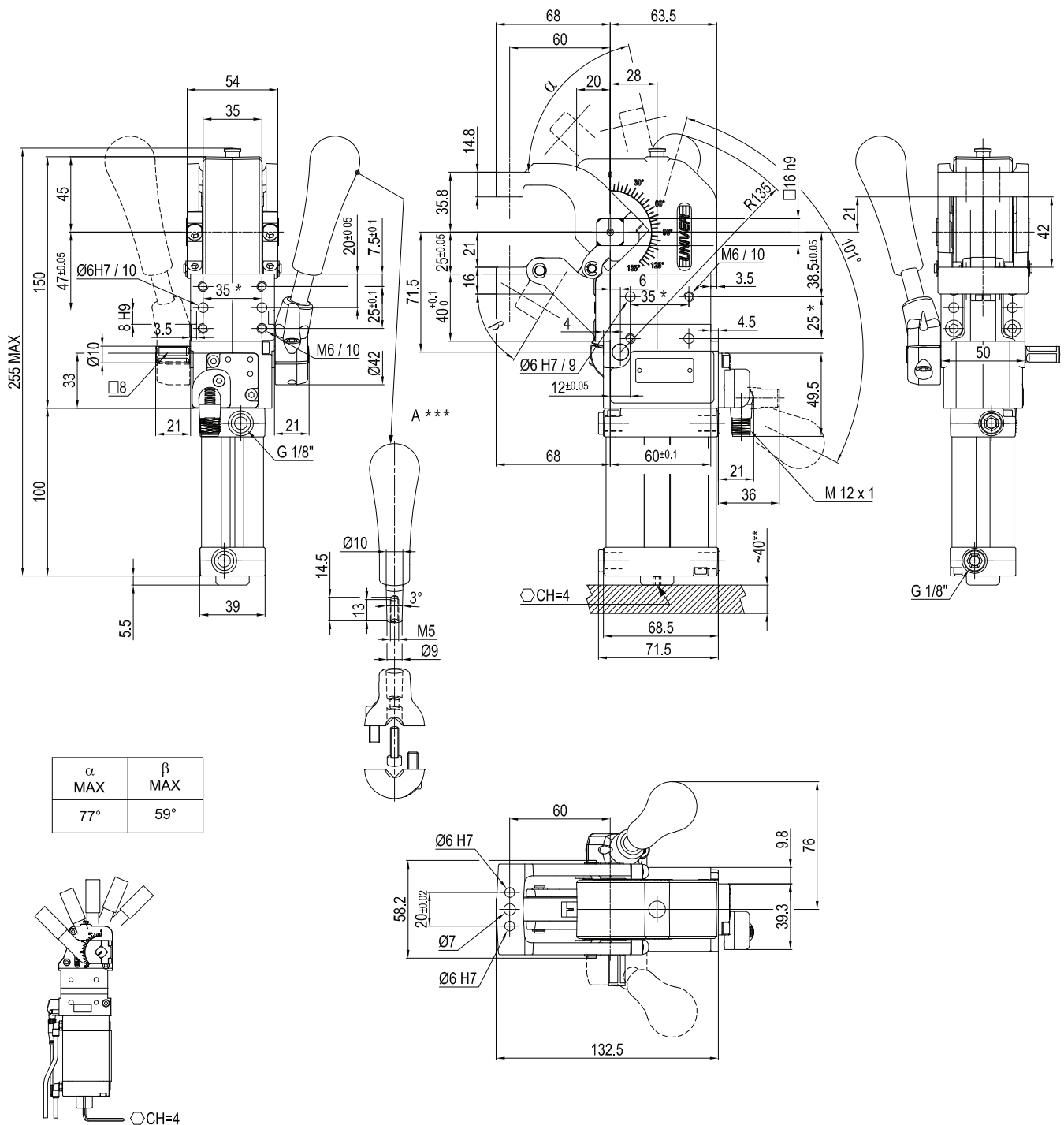
Pneumatic ports on both sides

\*: TOLERANCE BETWEEN DOWELS ± 0,02, BETWEEN SCREW HOLES ± 0,1

\*\*: AREA TO ACCESS ANGLE ADJUSTMENT

\*\*\*: DIMENSIONS TO BE RESPECTED IN CASE OTHER MANUAL LEVERS ARE USED

Subject to technical modifications without notice

**UGM40VHSK0**


Bore $\varnothing$	Holding moment	Clamping moment (0,5 Mpa)	Weight (Tips not included)	Tip weight (each one)
40 mm	600 Nm	170 N	2,45 Kg	0,3 Kg

 Min./Max. operating pressure: **0,4 / 0,6 MPa**

 Operating temperature: **5°± 45° C**

 Opening angle: **adjustable from 0° to 77°**

With steel arm

 Electronic sensor with M12 swivel connector, from 0° to 90°,  
in steps of 10°

Supply voltage: 10 ÷ 30 Vdc

 IP code: **IP 65**

Pneumatic ports on both sides

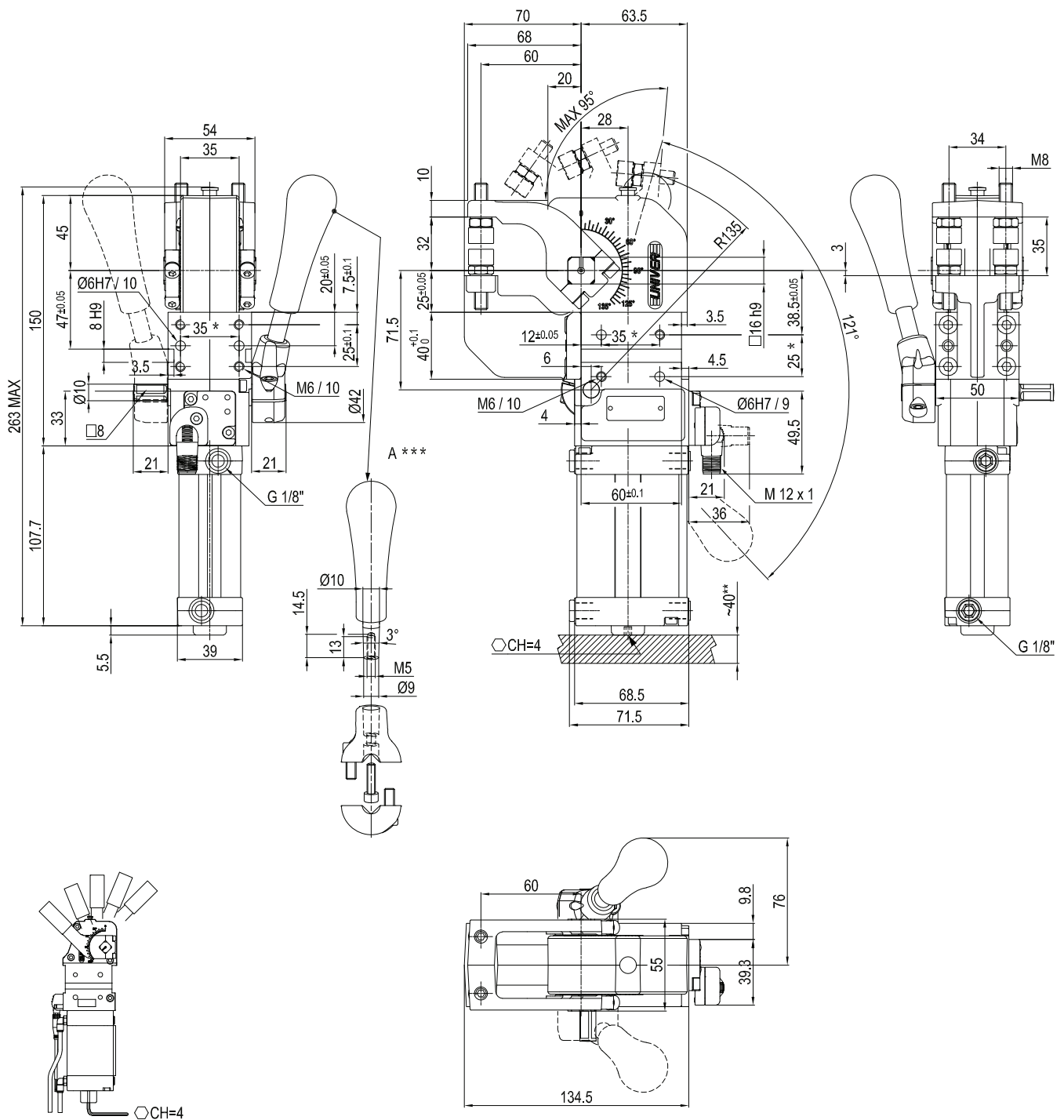
\*: TOLERANCE BETWEEN DOWELS ± 0,02, BETWEEN SCREW HOLES ± 0,1

\*\*: AREA TO ACCESS ANGLE ADJUSTMENT

\*\*\*: DIMENSIONS TO BE RESPECTED IN CASE OTHER MANUAL LEVERS ARE USED

Subject to technical modifications without notice

## UGM40VLSKO



Bore Ø	Holding moment	Clamping moment (0,5 Mpa)	Weight (Tips not included)	Tip weight (each one)
40 mm	600 Nm	170 N	2,3 Kg	0,3 Kg

 Min./Max. operating pressure: **0,4 / 0,6 MPa**

 Operating temperature: **5° ± 45° C**

 Opening angle: **adjustable from 0° to 95°**

With steel arm

 Electronic sensor with M12 swivel connector, from 0° to 90°,  
in steps of 10°

Supply voltage: 10 ÷ 30 Vdc

 IP code: **IP 65**

Pneumatic ports on both sides

\*: TOLERANCE BETWEEN DOWELS ± 0,02, BETWEEN SCREW HOLES ± 0,1

\*\*: AREA TO ACCESS ANGLE ADJUSTMENT

\*\*\*: DIMENSIONS TO BE RESPECTED IN CASE OTHER MANUAL LEVERS ARE USED

Subject to technical modifications without notice