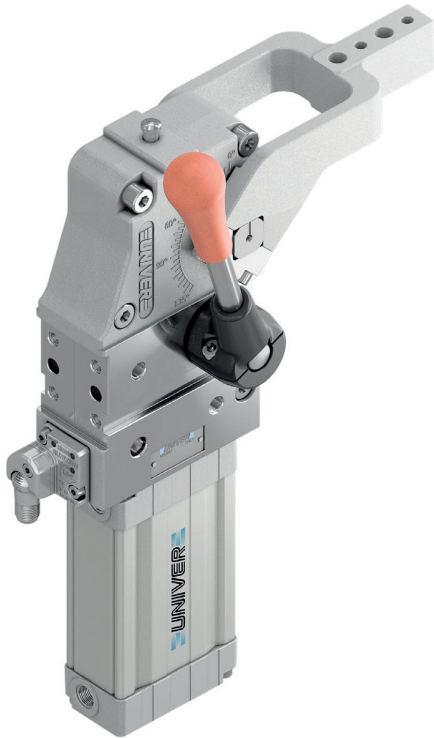


# UCBM 50

Pneumatic power clamps Ø50 mm with hand lever

Pneumatic power clamps with compensation system, toggle-joint mechanism and stepless adjustable opening angle, typically used for handling and holding metal sheets in welding applications



- Lightweight aluminium construction
- Compact dimensions
- Integrated compensation system up to 1,7 mm
- Hand lever mount on both sides
- Fully optical electronic sensor or pneumatic sensor
- Fixing pattern on 4 sides
- Manual unlocking in case of air loss
- Self-holding system for open position available
- Clamping arm in aluminium or steel

## CHARACTERISTICS

Operating temperature	5° ÷ 45° C
Min./Max. Operating pressure	0,4 / 0,6 MPa
Opening angle*	0° ÷ 135°
Bore Ø	50 mm
Holding moment	1250 Nm
Clamping moment (0,5 MPa)	280 Nm
Weight (clamping arm not included)	3,2 Kg
Pneumatic supply ports	G1/4 on both sides
Sensor	electronic (optical)
Supply voltage	10 ÷ 30 Vdc
IP code	IP65

\*The opening angle range may vary according to the arm position and style.

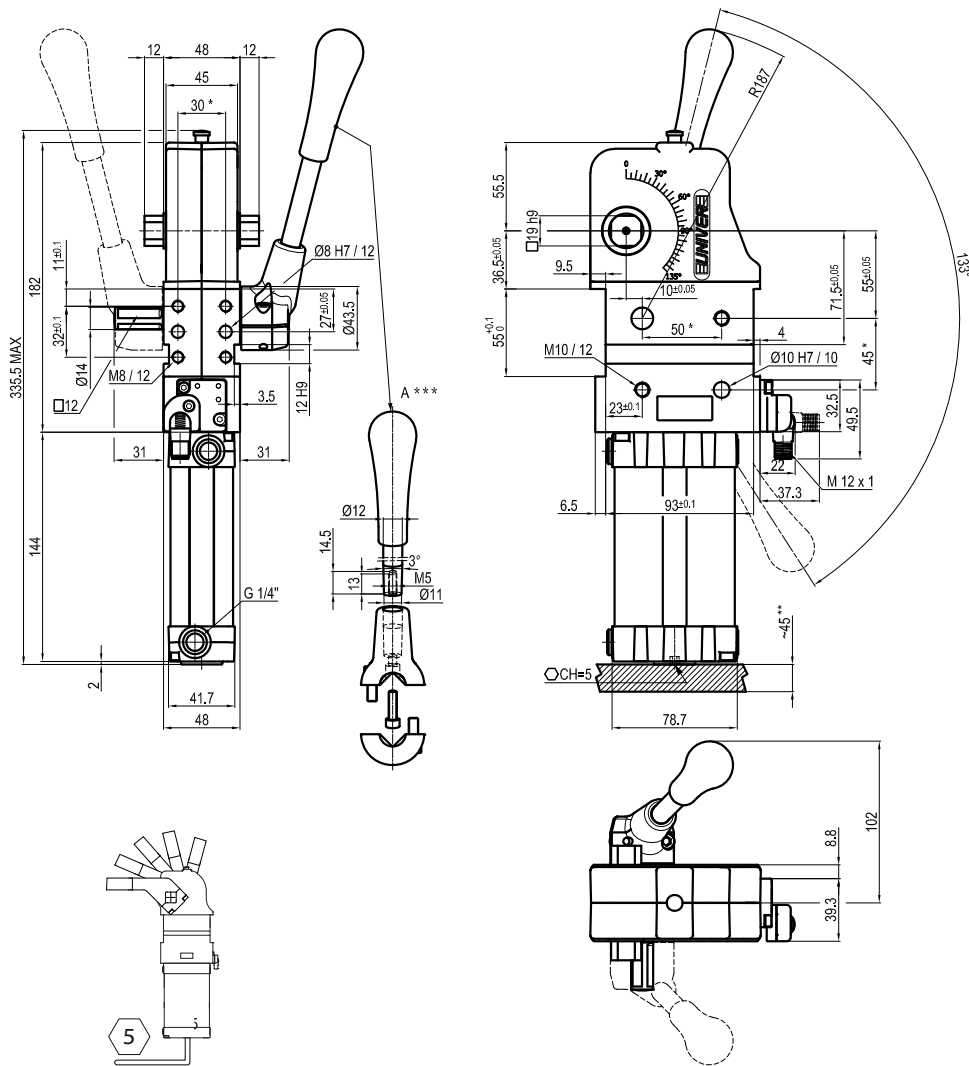
## CODIFICATION KEY

UC	B	M	50	O	E	A	K	0	
1	2	3	4	5	6	7	8	9	10

- COMPENSATION
- LIGHTWEIGHT
- IRREVERSIBLE
- ANGLE ADJUSTMENT
- OPTICAL SENSOR
- COMPACT

1	<b>SERIES</b> UC = UNICLAMP Power clamps	6	<b>ARM STYLE</b> C = Central, 15 mm offset D = Right, 15 mm offset S = Left, 15 mm offset E = Central, 45 mm offset F = Right, 45 mm offset L = Left, 45 mm offset N = No arm For other versions contact our Sales Dept.
2	<b>STANDARD</b> B = European standard	7	<b>ARM TYPE</b> A = Aluminium S = Steel N = No arm
3	<b>VERSION</b> M = Pneumatic with hand lever	8	<b>SENSOR</b> N = No sensor (with protection plate) K = Electronic sensor PNP, M12 (DF-K) D = Pneumatic sensor (DF-UPNW) J = Electronic sensor NPN, optical (DF-J) Y = Electronic sensor PNP, M12 (DF-Y) white LED
4	<b>SIZE</b> 50 = Ø50 mm	9	<b>PRODUCT REVISION</b> Assigned by UNIVER
5	<b>ARM POSITION</b>  V = 90°  O = 180°  N = No arm	10	<b>ATEX</b> X = ATEX option See ATEX Catalogue for types and versions

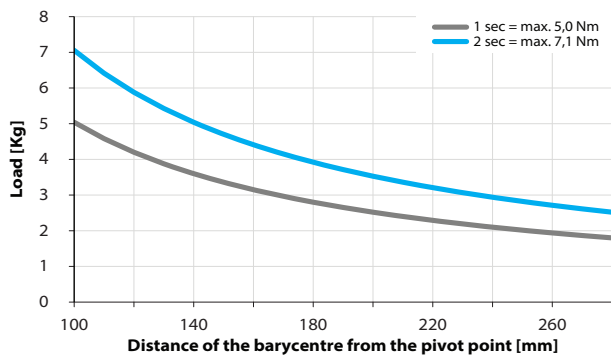
2



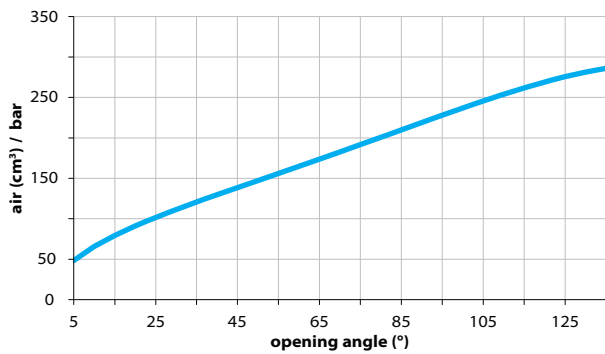
\*TOLERANCE BETWEEN DOWELS ± 0,02 BETWEEN SCREW HOLES ± 0,1  
 \*\*AREA TO ACCESS ANGLE ADJUSTMENT  
 \*\*\*DIMENSIONS TO BE RESPECTED IN CASE OTHER MANUAL LEVERS ARE USED

### Maximum Applicable Load

Pressure: 5 bar - 90° cycle time (Open - Close)

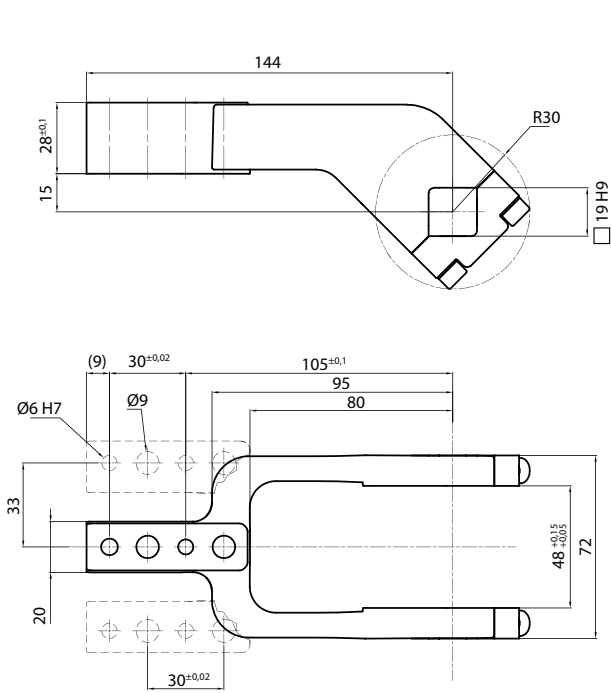


### Air Consumption per Cycle

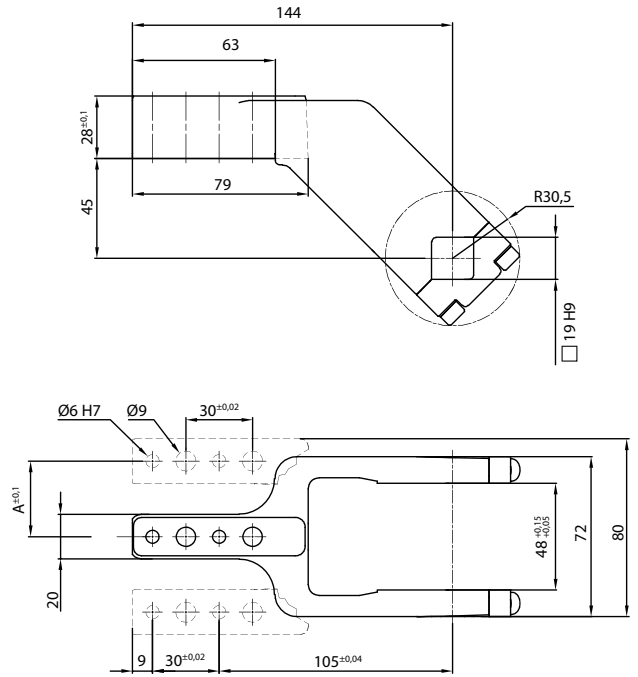


## Clamping Arms

### Arm Offset 15mm



### Arm Offset 45mm



Armcode	Offset	Material	Arm style	Weight (Kg)	Opening angle (90°)	Opening angle (180°)
LKP00CL	15	ALUMINIUM	CENTRAL	0,4	0±135°	0±105°
LKP00DL	15	ALUMINIUM	RIGHT	0,4	0±135°	0±105°
LKP00SL	15	ALUMINIUM	LEFT	0,4	0±135°	0±105°
UP210151441G	15	STEEL	CENTRAL	0,8	0±135°	0±105°
UP210151442G	15	STEEL	RIGHT	0,8	0±135°	0±105°
UP210151443G	15	STEEL	LEFT	0,8	0±135°	0±105°
UKP5063E	45	ALUMINIUM	CENTRAL	0,45	0±135°	0±135°
UKP50F	45	ALUMINIUM	RIGHT	0,45	0±135°	0±135°
UKP50L	45	ALUMINIUM	LEFT	0,45	0±135°	0±135°
UKP5063ES	45	STEEL	CENTRAL	1,16	0±135°	0±135°
UKP50FS	45	STEEL	RIGHT	1,16	0±135°	0±135°
UKP50LS	45	STEEL	LEFT	1,16	0±135°	0±135°

## Sensors



Electronic (optical)

DF-K PNP M12  
DF-J NPN M12  
DF-Y PNP M12 White LED



Pneumatic

DF-UPNW

## Accessories



Handlever

UBF255063



Self holding system

UBK46P19