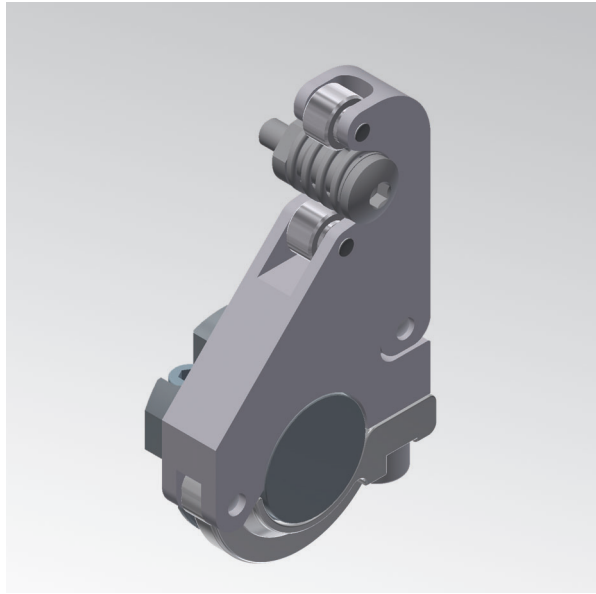


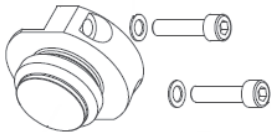
# UBK46

Self-holding system for open position

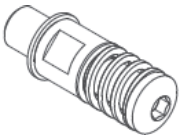


## UBK46P\_ \_ \_ \_ Self holding kit mounting instructions

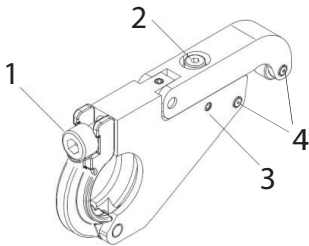
### Components



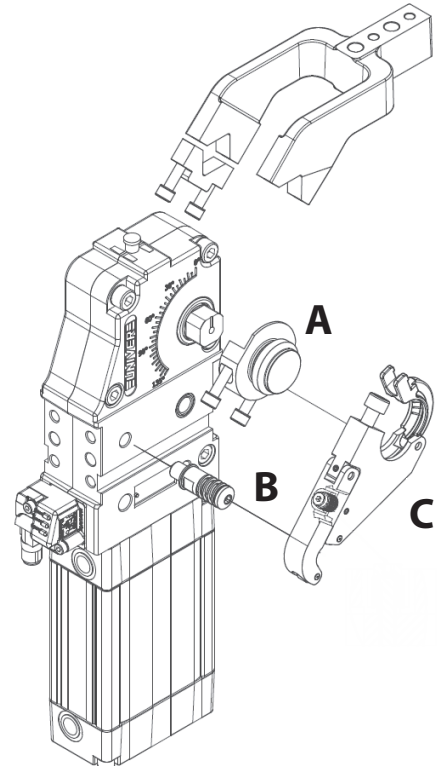
**Group (A)**  
Dowel + screws + washers



**Group (B)**  
Pin + washers

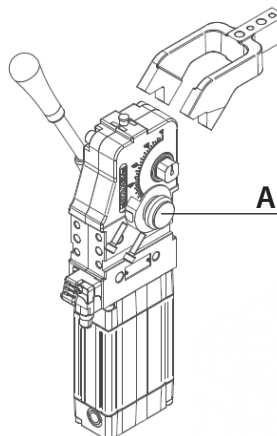


**Gruppo (C)**  
Self holding



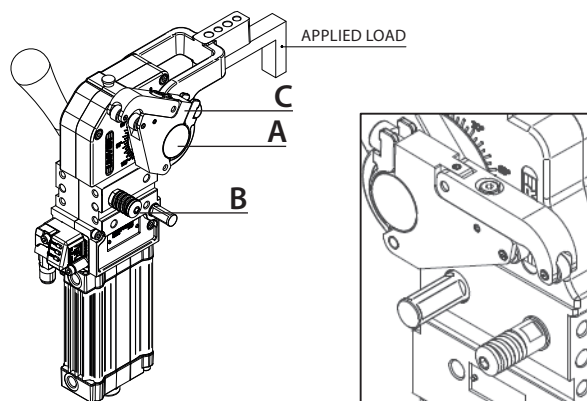
## Sequence

Mount the arm using the fixing block (A).  
Tighten the screws with an allen wrench  
(see suitable torque below)



Screw	Tightening torque	
	Min [Nm]	Max [Nm]
M5	9	11
M6	16	18
M8	25	30
M10	33	35

Mount self-holding group (C) on the fixing block (A)  
without completely loose the nut (1).  
Screw in the pin group (B) on the housing  
(see suitable torque below)



Screw	Tightening torque
M6	8 Nm
M10	25Nm
M12	45Nm

Adjust the opening angle of the power clamp unit  
to the desired position.

In open position:

Lock the self-holding system (C) to the pin (B)

Tighten the tightening screw (1) while keeping the  
self-holding system (C) slightly up and the rollers (4)  
leaning onto the pin group spring (B)

- torque wrench, 25 Nm

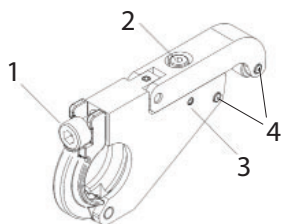
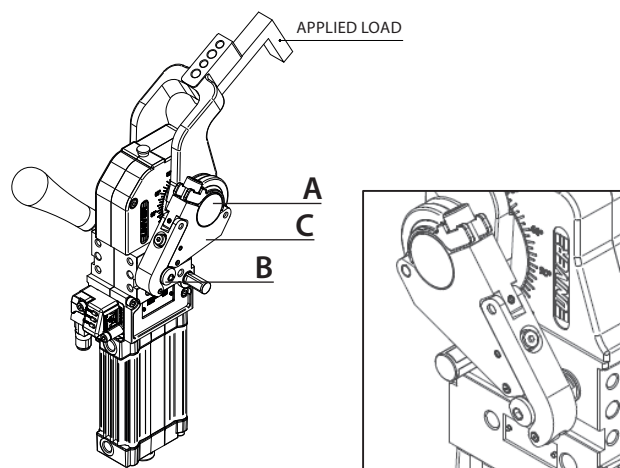
Firmly lock the self-holding system (C) over the pin (B)

Adjust the holding force screw (3) until the applied load is  
held properly.

- Allen wrench N°3

Tighten the safety nut (3)

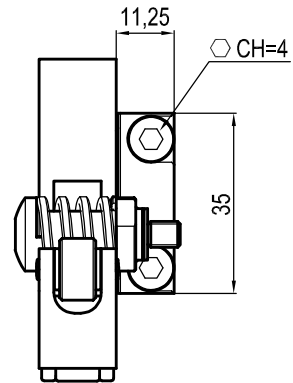
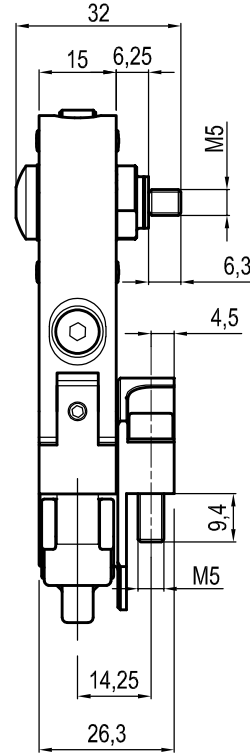
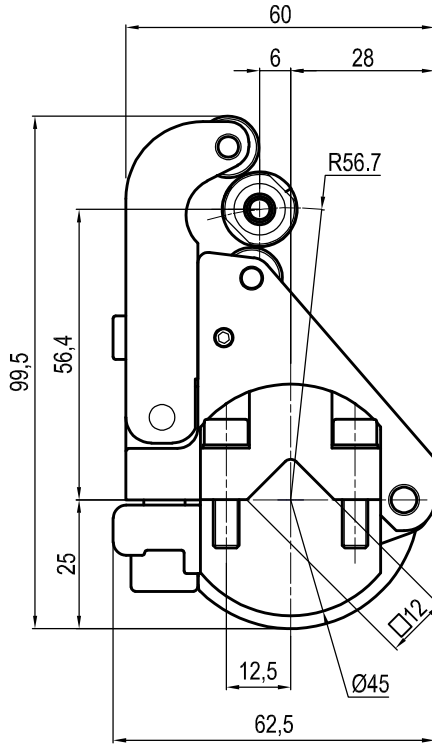
- Allen wrench N°2



### PERIODIC VERIFICATION:

check that the applied load is still held properly. If not, adjust the holding force screw (2) again or replace the pin group (B) + washer  
(pin group is suggested to be kept on stock as spare part since it is subject to wear).

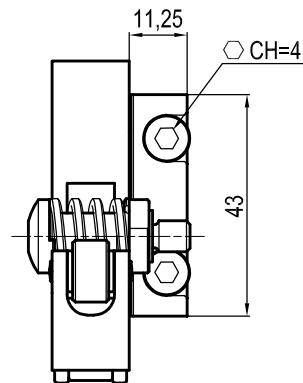
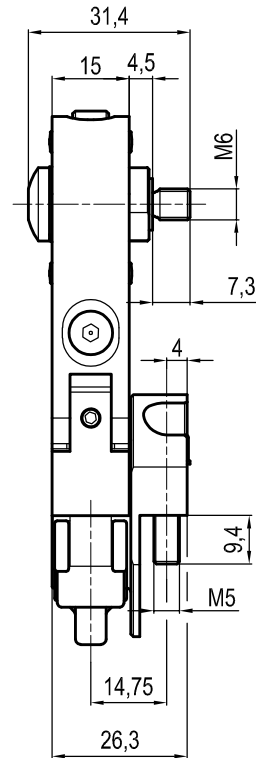
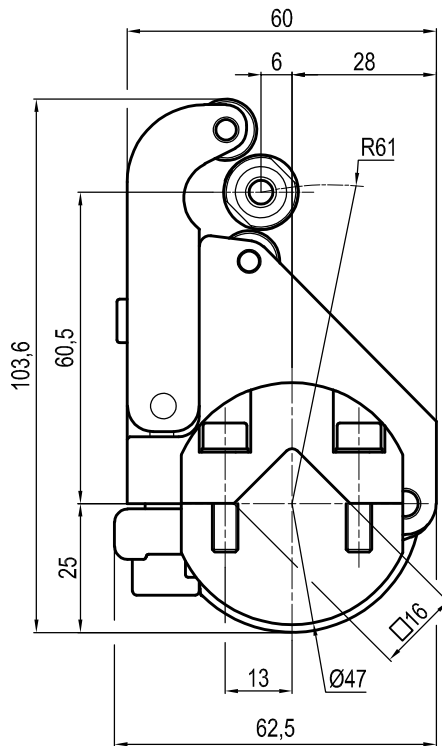
□12 mm self holding



Clamp size	Material	Weight
32	Aluminium / Steel	0.275 Kg

Subject to technical modification without notice.

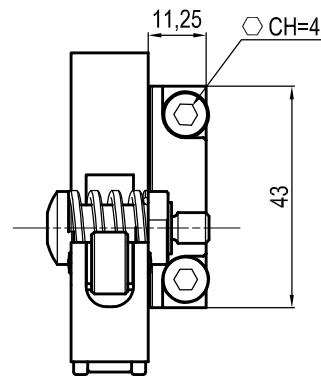
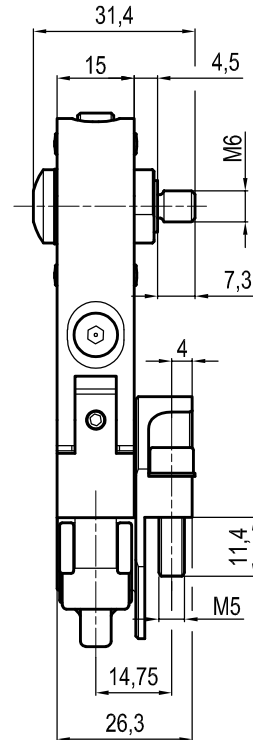
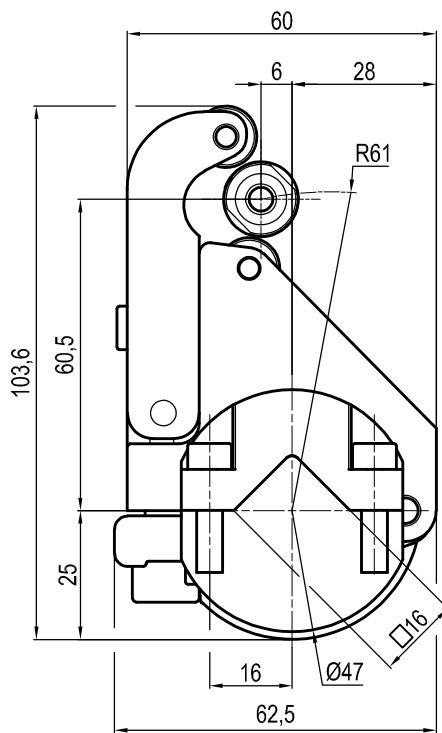
□16 mm self holding



Clamp size	Material	Weight
40	Aluminium / Steel	0.3 Kg

Subject to technical modification without notice.

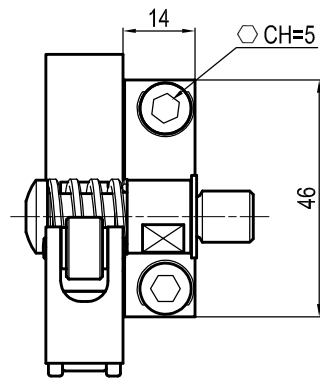
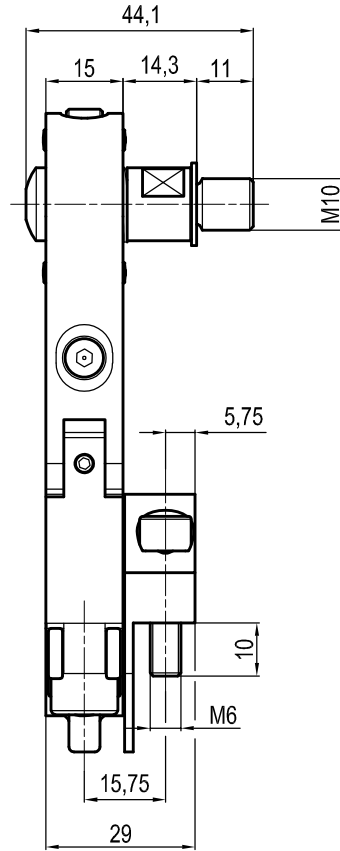
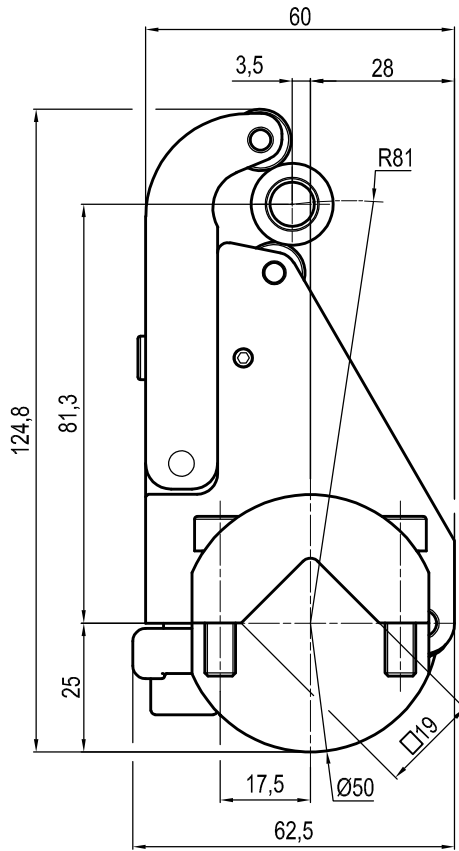
□16 mm self holding



Clamp size	Material	Weight
40	Aluminium / Steel	0.3 Kg

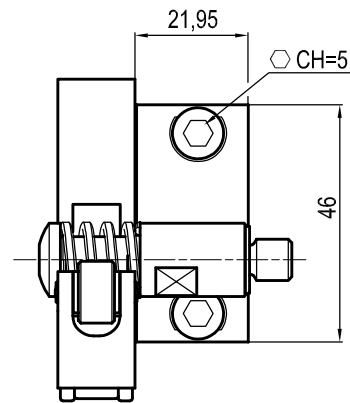
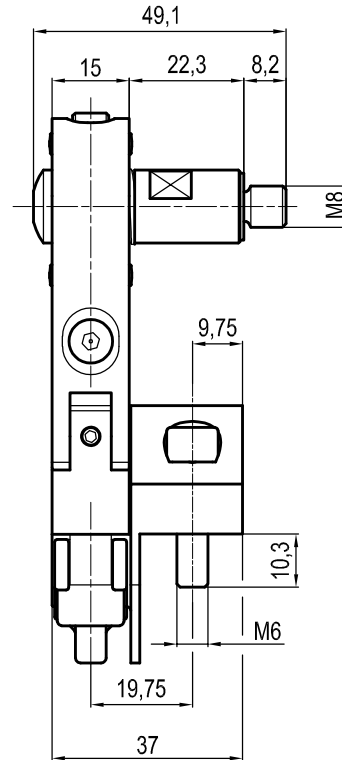
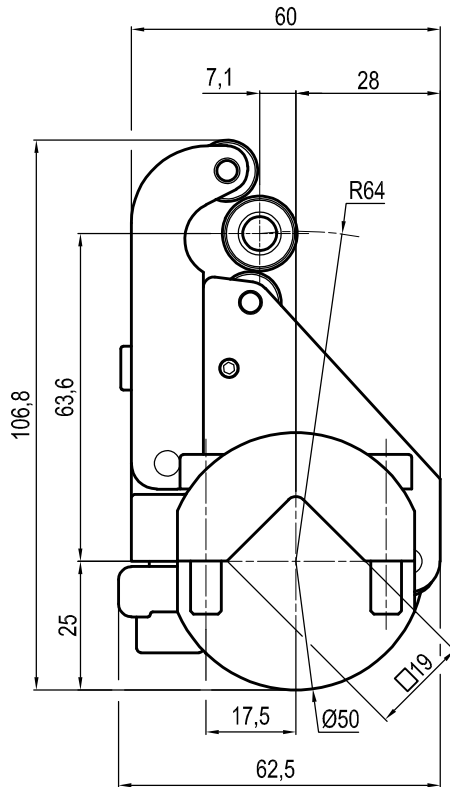
Subject to technical modification without notice.

□19 mm self holding



Clamp size	Material	Weight
50/63	Aluminium / Steel	0.4 Kg

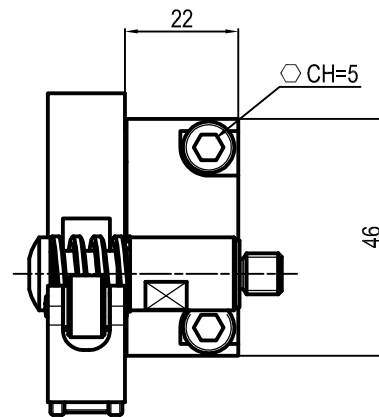
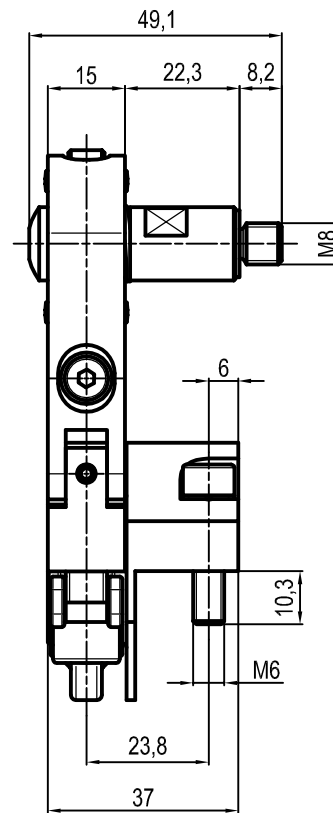
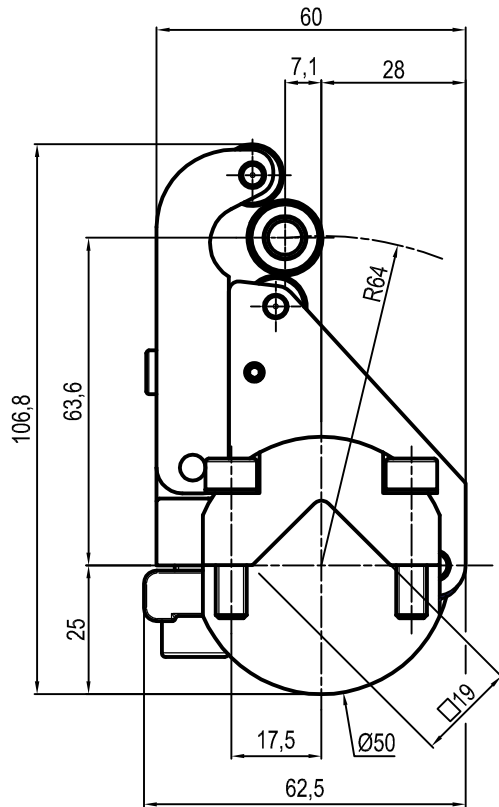
□19 mm self holding



Clamp size	Material	Weight
50	Aluminium / Steel	0.45 Kg

Subject to technical modification without notice.

□19 mm self holding

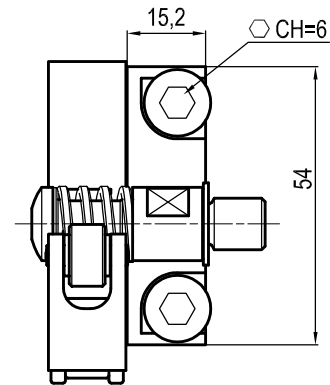
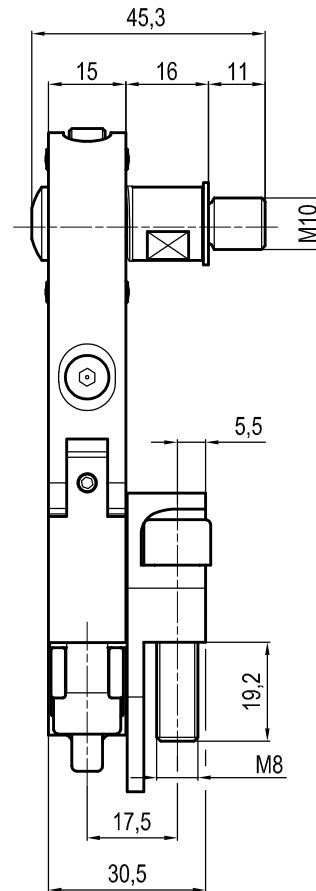
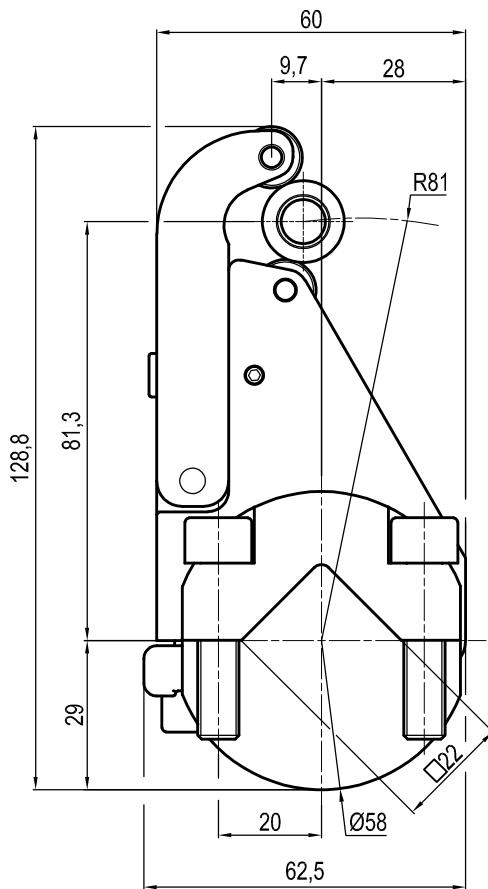


Clamp size	Material	Weight
50	Aluminium / Steel	0.45 Kg

Subject to technical modification without notice.

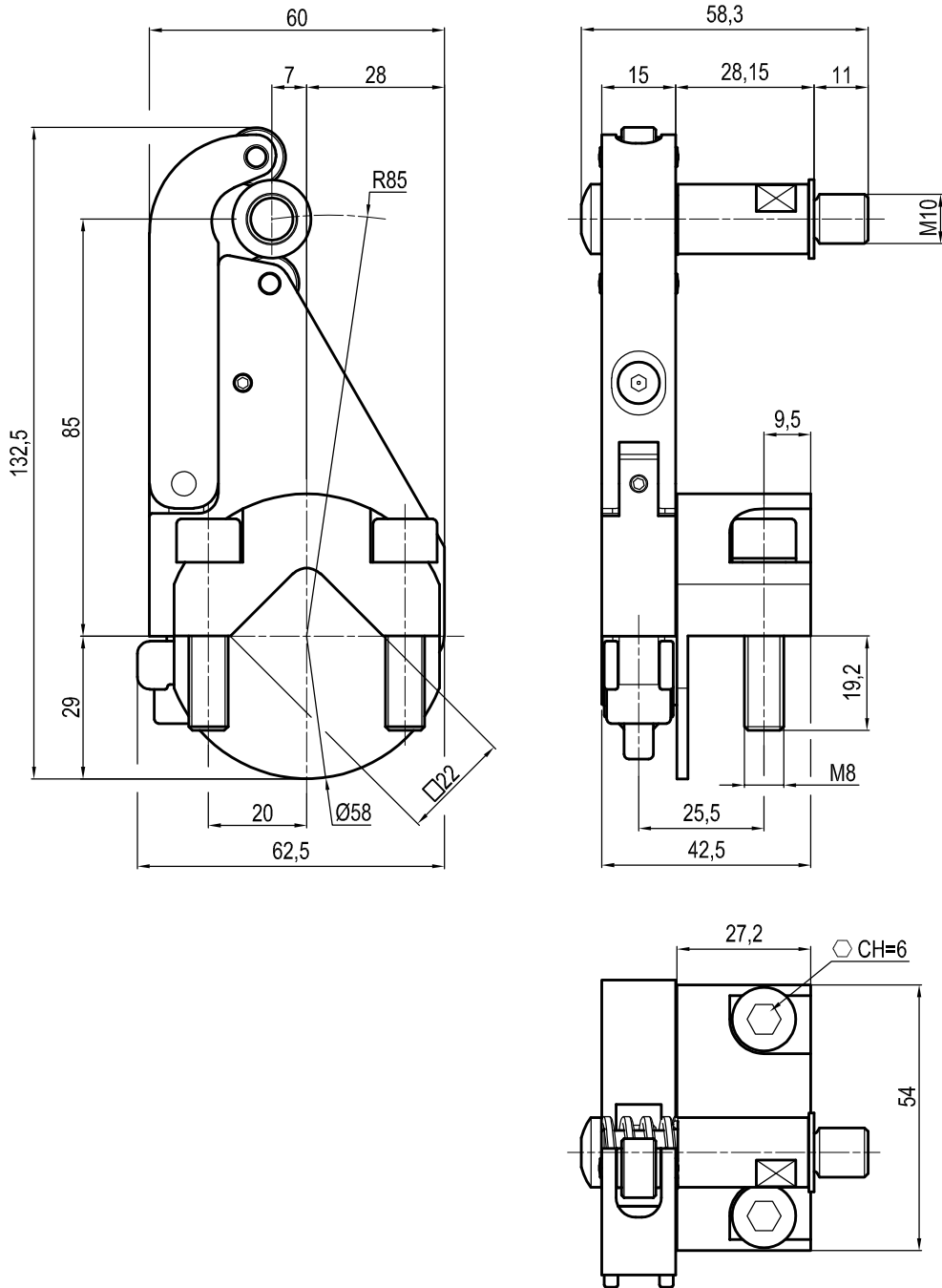


□22 mm self holding



Clamp size	Material	Weight
63	Aluminium / Steel	0.5 Kg

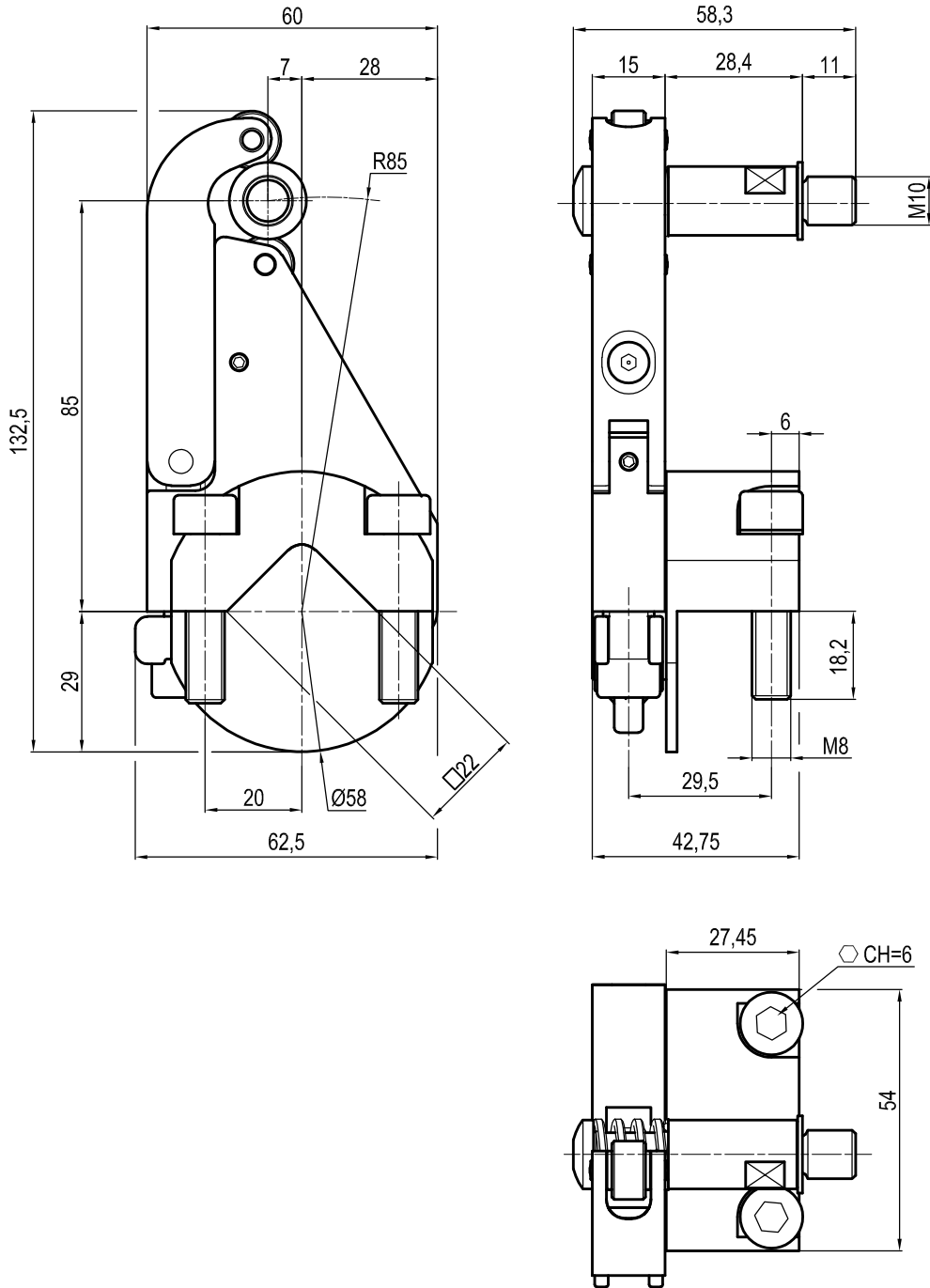
□22 mm self holding



Clamp size	Material	Weight
63	Aluminium / Steel	0.6 Kg

Subject to technical modification without notice.

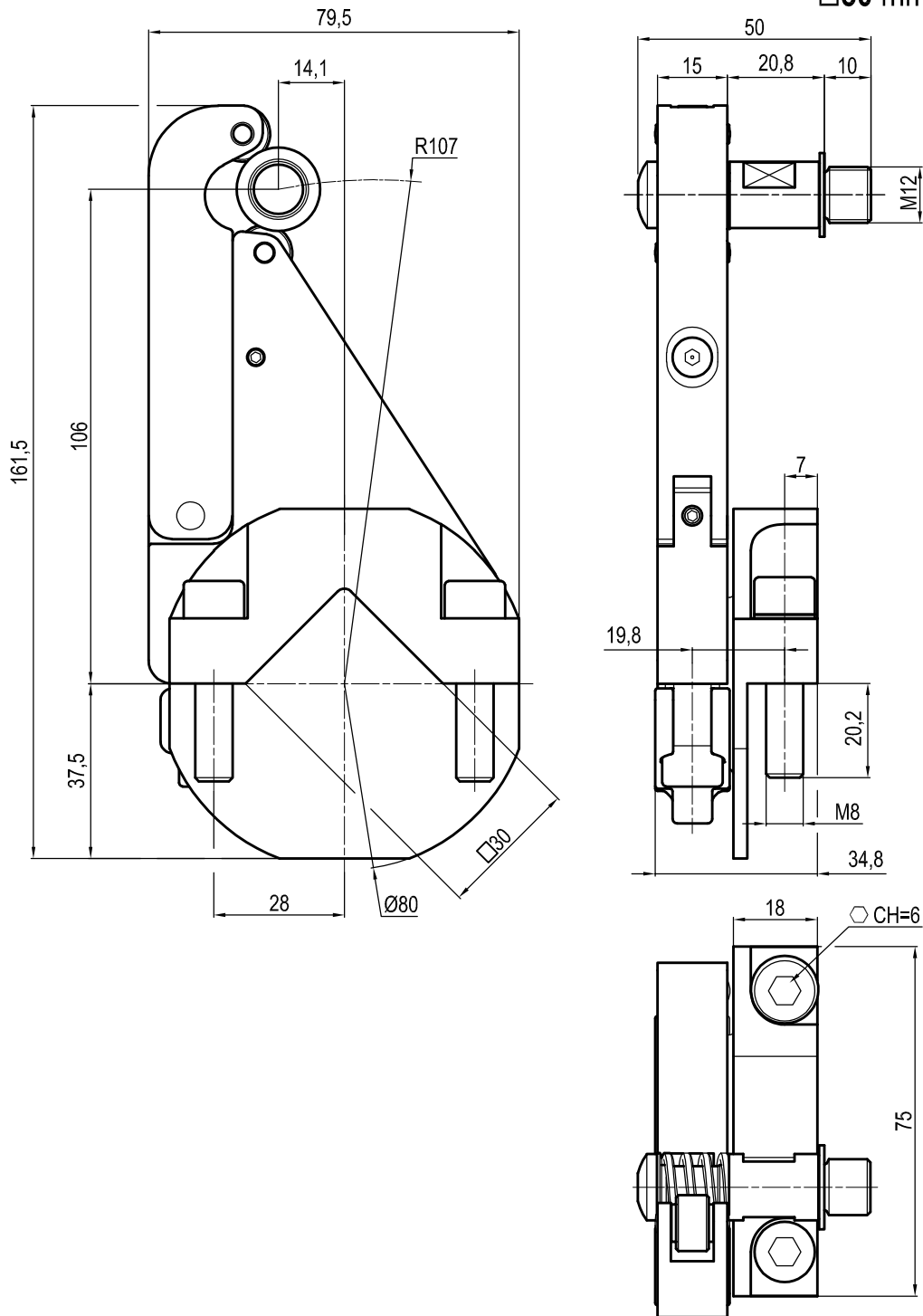
□22 mm self holding



Clamp size	Material	Weight
63	Aluminium / Steel	0.6 Kg

Subject to technical modification without notice.

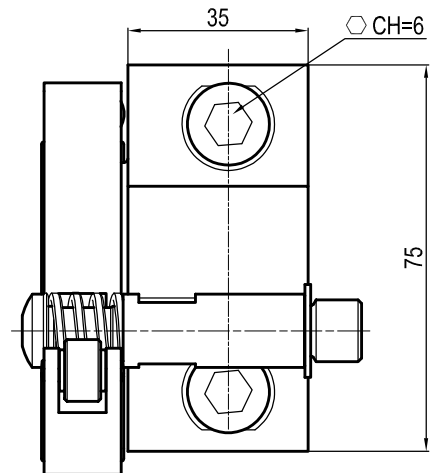
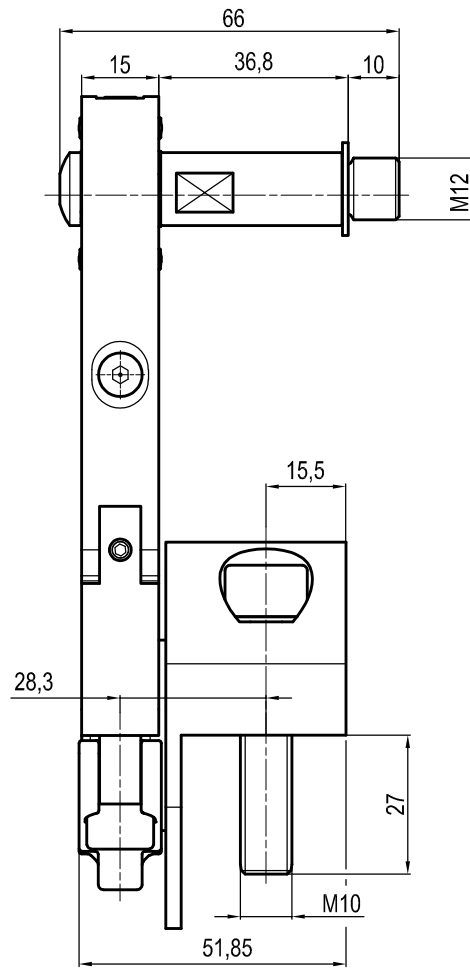
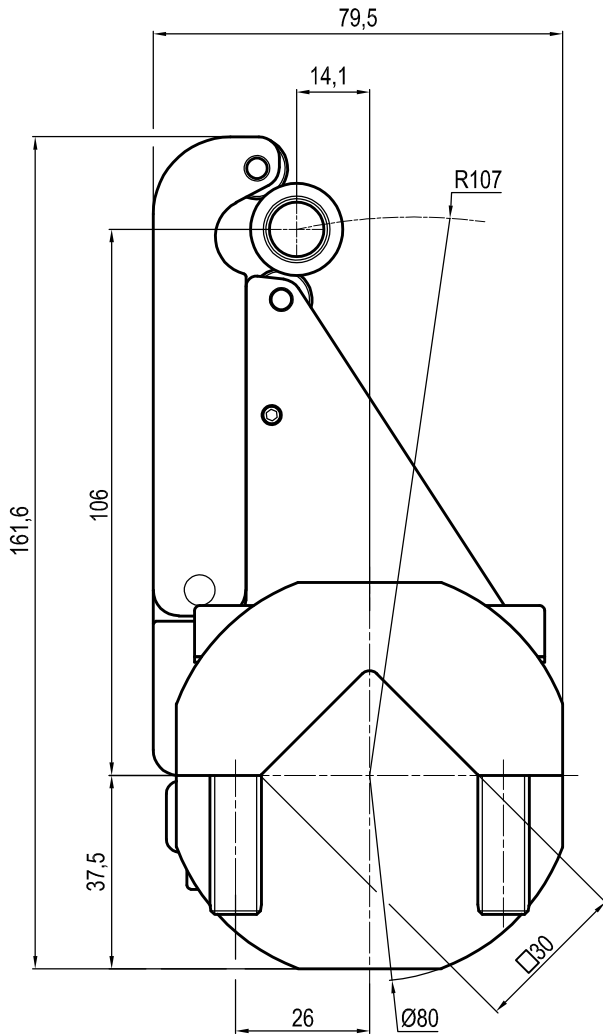
□30 mm self holding



Clamp size	Material	Weight
80	Aluminium / Steel	0.85Kg

Subject to technical modification without notice.

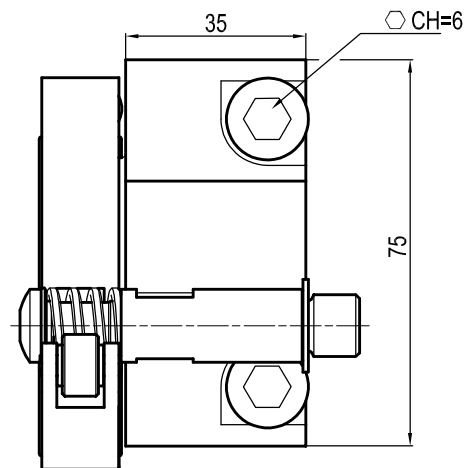
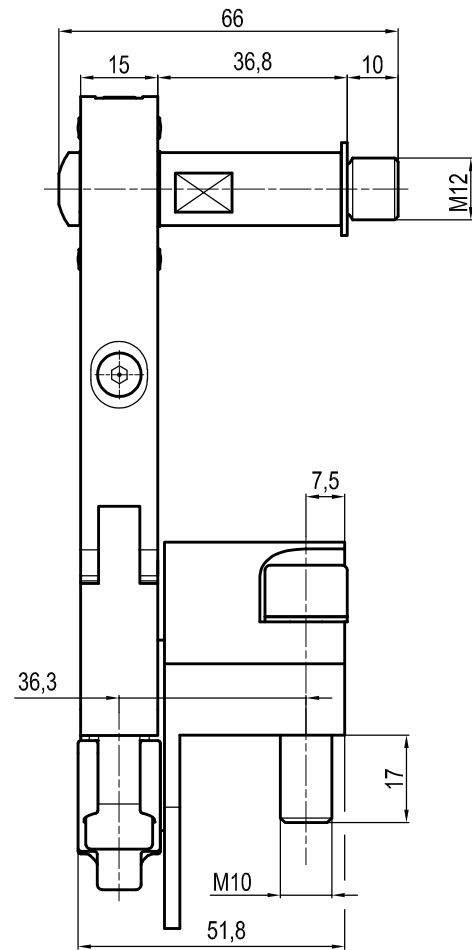
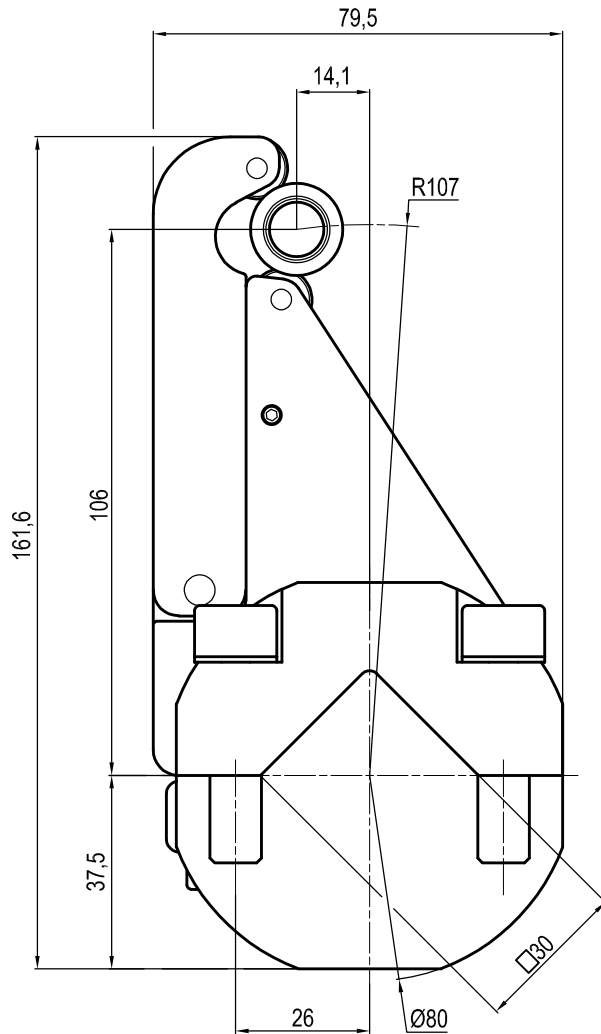
□30 mm self holding



Clamp size	Material	Weight
80	Aluminium / Steel	1Kg

Subject to technical modification without notice.

□30 mm self holding



Clamp size	Material	Weight
80	Aluminium / Steel	1Kg

Subject to technical modification without notice.