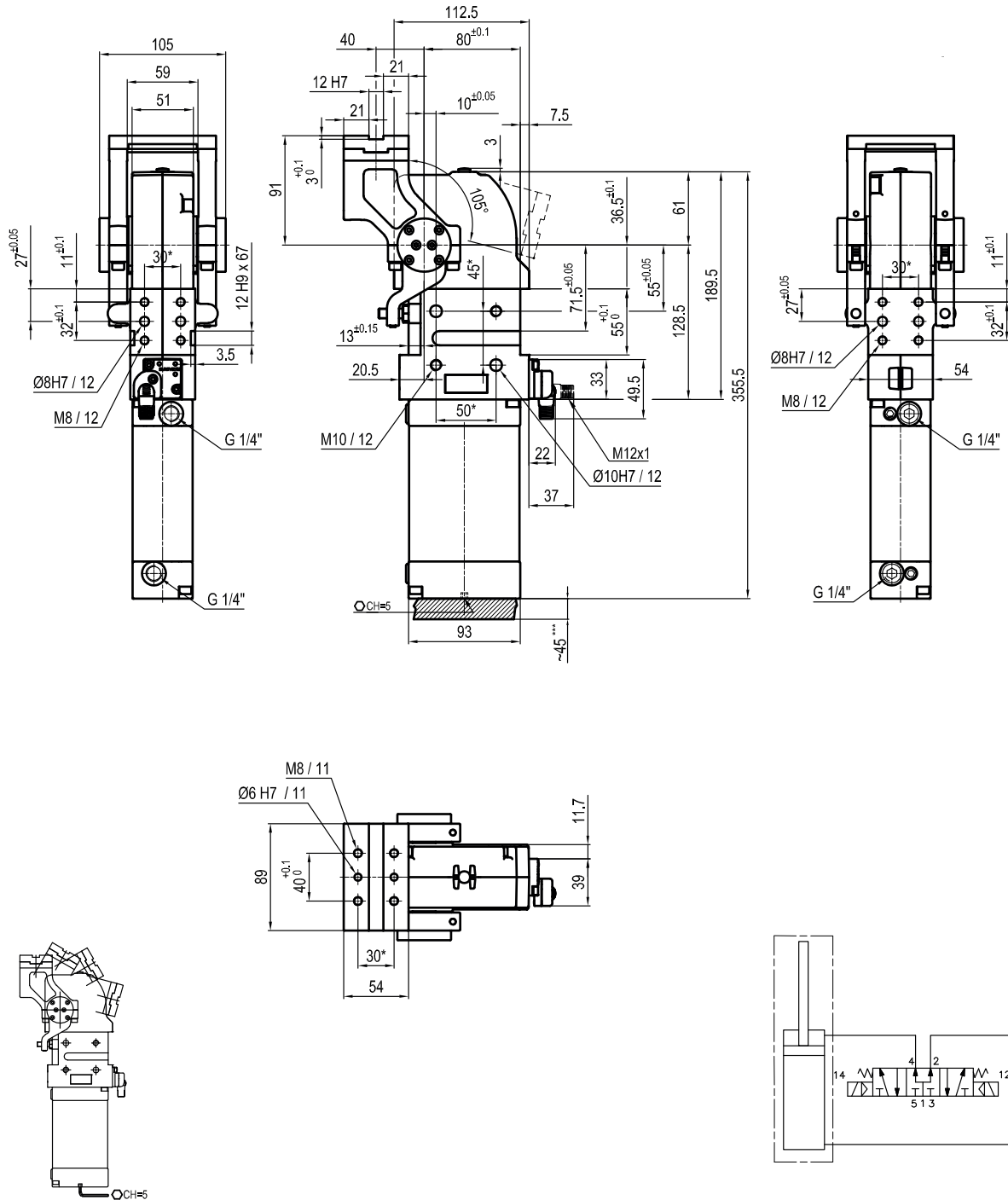


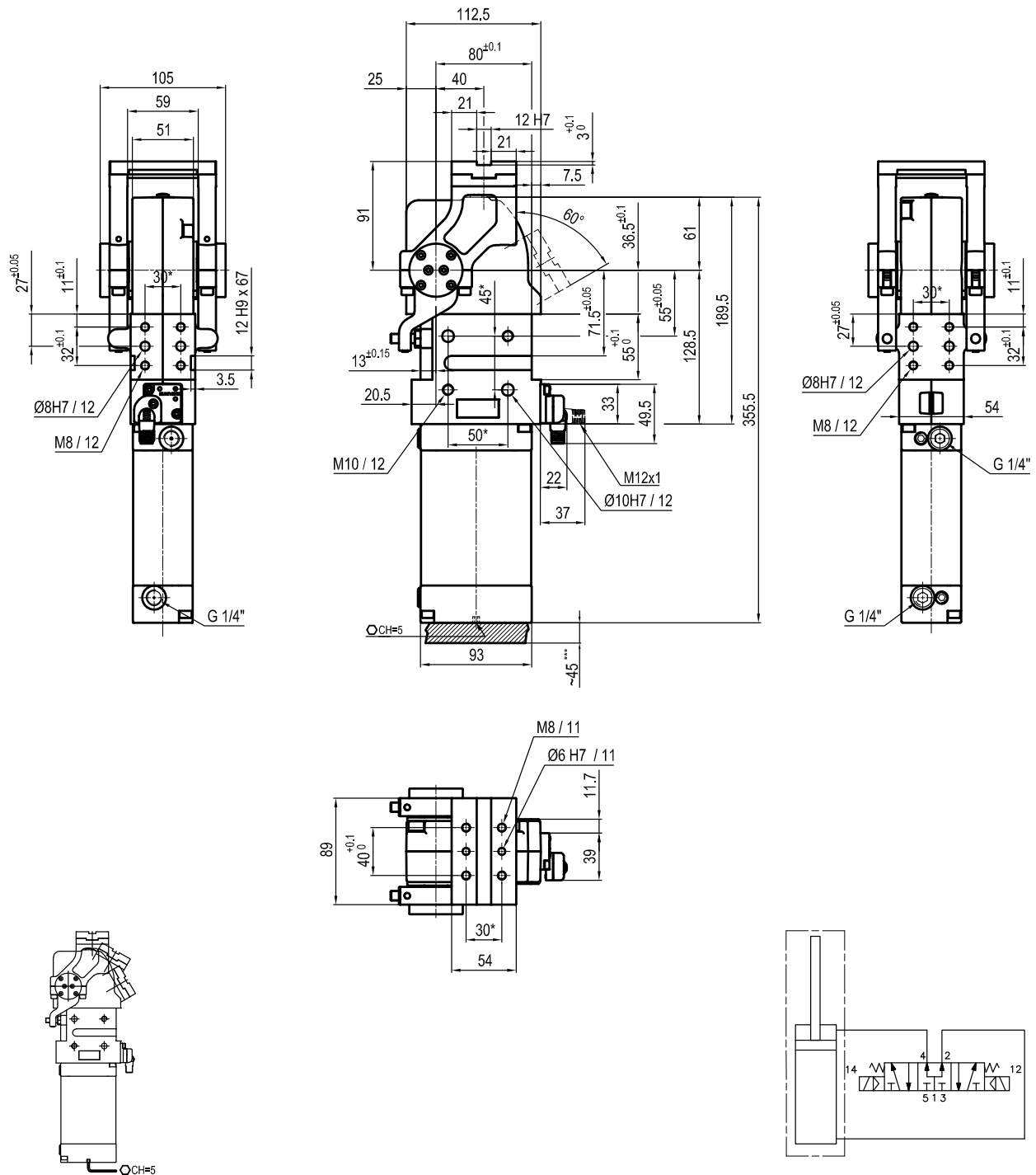
UAGR063OKORW0



Size	Holding moment	Max. torque at the rotary table 0,55 MPa	Weight
63	1500 Nm	16 Nm	5 Kg

Min./Max. operating pressure: **0,4 / 0,6 MPa**
 Operating temperature: **5° ÷ 45° C**
 Adjustable pivot rotation in degrees: **0°-105°**
 Rotary table position: **Horizontal 90°**
 Electronic sensor with M12 swivel connector, from 0° to 90°
 Supply voltage: 10 ÷ 30 Vdc
 IP code: **IP 65**
 Pneumatic ports on both sides

* : TOLERANCE BETWEEN DOWEL HOLES ± 0,02, BETWEEN SCREW HOLES ± 0,1
 Subject to technical modifications without notice
 Rev. 00 10.11.22

UAGR063PKORW0


Size	Holding moment	Max. torque at the rotary table 0,55 MPa	Weight
63	1500 Nm	16 Nm	5 Kg

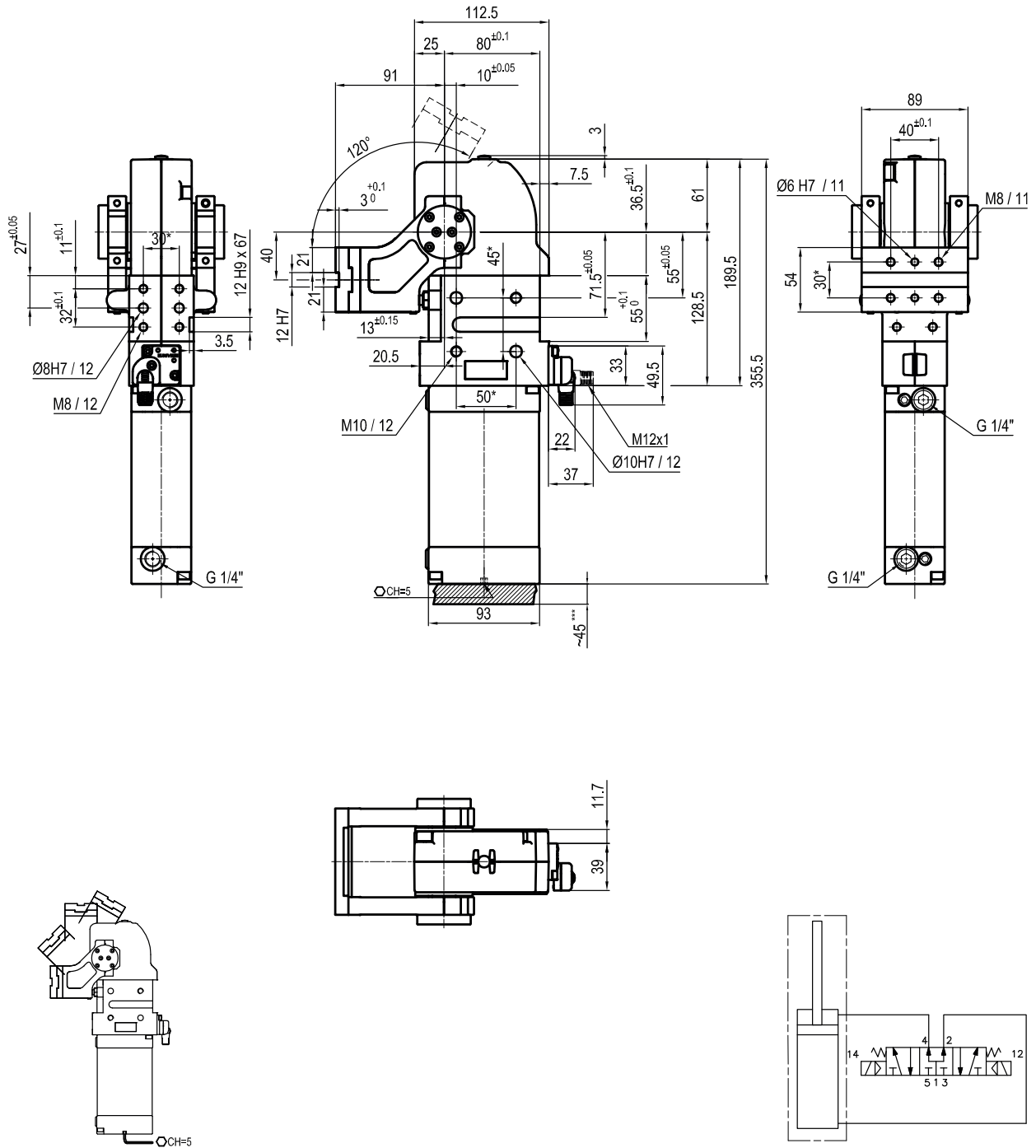
Min./Max. operating pressure: **0,4 / 0,6 MPa**
 Operating temperature: **$5^\circ \div 45^\circ$ C**
 Adjustable pivot rotation in degrees: **$0-60^\circ$**
 Rotary table position: **Horizontal mirror of O**
 Electronic sensor with M12 swivel connector, from 0° to 90°
 Supply voltage: $10 \div 30$ Vdc
 IP code: **IP 65**
 Pneumatic ports on both sides

* : TOLERANCE BETWEEN DOWEL HOLES $\pm 0,02$, BETWEEN SCREW HOLES $\pm 0,1$

Subject to technical modifications without notice

Rev. 00 10.11.22

UAGR063VKORW0



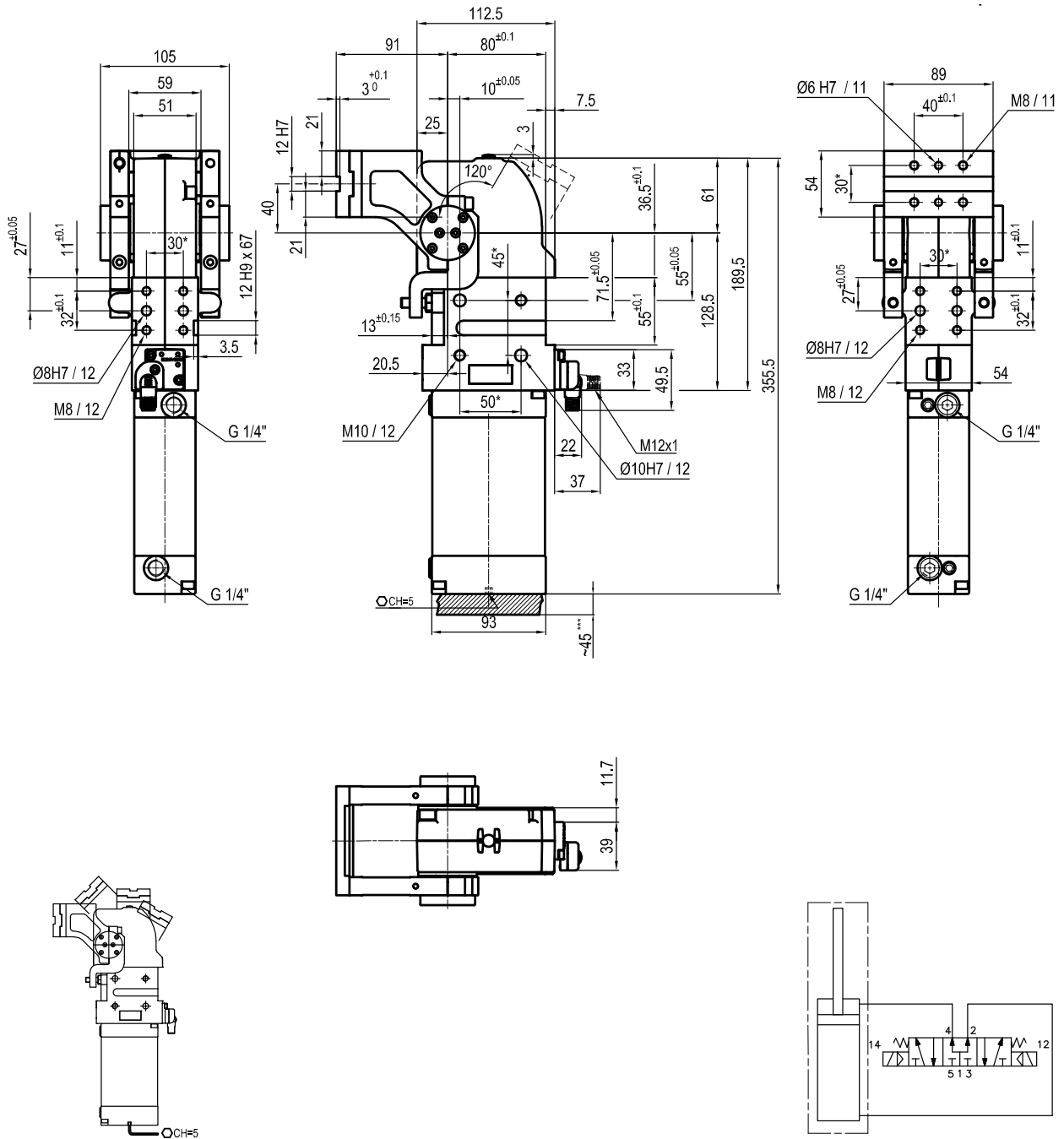
Size	Holding moment	Max. torque at the rotary table 0,55 MPa	Weight
63	1500 Nm	16 Nm	5 Kg

Min./Max. operating pressure: **0,4 / 0,6 MPa**
 Operating temperature: **5° ÷ 45° C**
 Adjustable pivot rotation in degrees: **0°-120°**
 Rotary table position: **Vertical 180°**
 Electronic sensor with M12 swivel connector, from 0° to 90°
 Supply voltage: 10 ÷ 30 Vdc
 IP code: **IP 65**
 Pneumatic ports on both sides

* : TOLERANCE BETWEEN DOWEL HOLES ± 0,02, BETWEEN SCREW HOLES ± 0,1

Subject to technical modifications without notice

UAGR063ZKORW0



Size	Holding moment	Max. torque at the rotary table 0,55 MPa	Weight
63	1500 Nm	16 Nm	5 Kg

Min./Max. operating pressure: **0,4 / 0,6 MPa**
 Operating temperature: **5° ÷ 45° C**
 Adjustable pivot rotation in degrees: **0-120°**
 Rotary table position: **Vertical mirror of V**
 Electronic sensor with M12 swivel connector, from 0° to 90°
 Supply voltage: 10 ÷ 30 Vdc
 IP code: **IP 65**
 Pneumatic ports on both sides

* : TOLERANCE BETWEEN DOWEL HOLES ± 0,02, BETWEEN SCREW HOLES ± 0,1

Subject to technical modifications without notice