

UAGR 063

Adjustable pneumatic power pivot 16 Nm without brake

Adjustable pneumatic power pivot without brake typically used to rotate and dump fixtures and parts in a desired position.

- High repeatability
- Mechanical stops
- Double pneumatic cushioning
- Fixing ports on 4 sides
- Roller bearings to support heavy load
- Orientable table in 4 pre-set positions
- 120° adjustable pivot rotation



5

CHARACTERISTICS

Operating temperature	5° ÷ 45° C
Min./Max. Operating pressure	0,4 / 0,6 MPa
Bore Ø	63 mm
Pivot rotation	0°±120°
Holding moment	1500 Nm
Max. torque at rotary table (0,55MPa)	16 Nm
Weight	5 kg
Pneumatic supply ports	G1/4
Sensor	electronic (optical)
Supply voltage	10 ÷ 30 Vdc
IP code	IP 65

CODIFICATION KEY

UAG | R | 063 | O | K | OR | W | 0 | |

1 2 3 4 5 6 7 8 9



OPTICAL SENSOR



HIGH REPEATABILITY



ANGLE ADJUSTMENT

1 SERIES
UAG = UNICLAMP Power pivot

2 VERSION
R = Pneumatic adjustable

3 SIZE
063 = 16 Nm Ø 63 mm

4 TABLE POSITION
O = Horizontal 90° *
P = Horizontal mirror of "O" **
V = Vertical 180°
Z = Vertical mirror of "V"
*Max opening angle 105°
**Max opening angle 60°

5 SENSOR
N = No sensor (with protection plate)
K = Electronic sensor PNP, M12 (DF-K)
Y = Electronic sensor PNP, M12 (DF-Y) white LED
J = Electronic sensor NPN, M12 (DF-J)

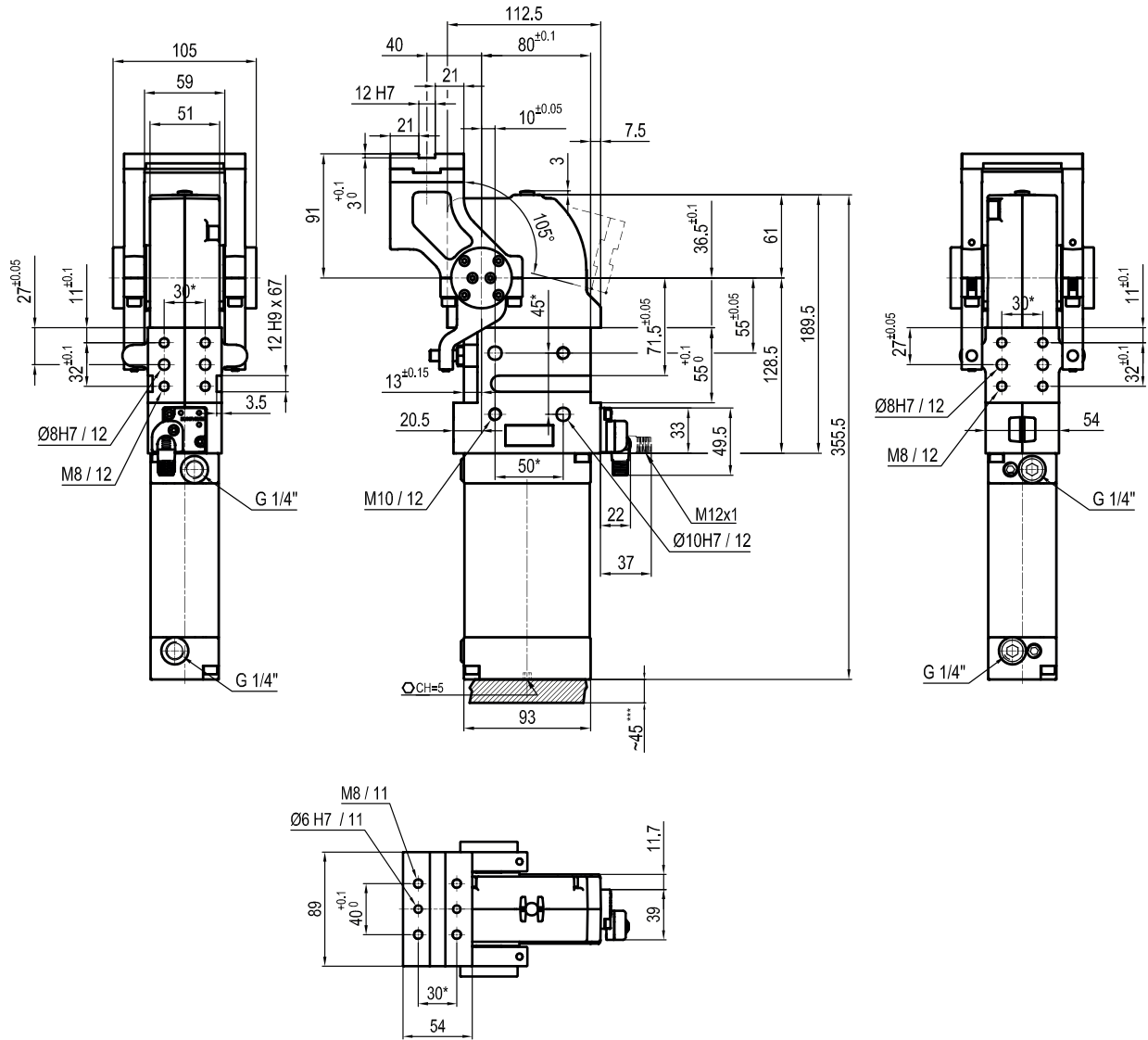
6 PIVOT ROTATION
OR = 120° adjustable

7 BRAKE SYSTEM
W = Without brake

8 PRODUCT REVISION
Assigned by UNIVER

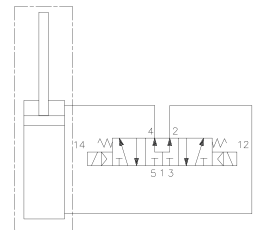
9 ATEX
X = ATEX option
See ATEX Catalogue for types and versions

○ Horizontal 90°



5

*TOLERANCE BETWEEN DOWELS ± 0,02 BETWEEN SCREW HOLES ± 0,1



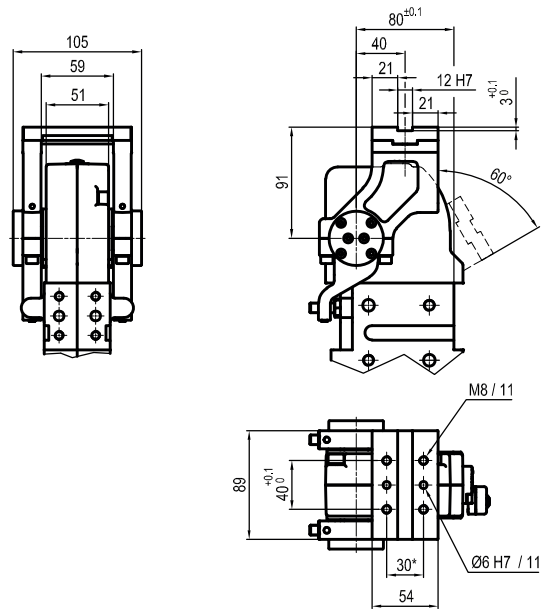
Sensors



Electronic (optical)

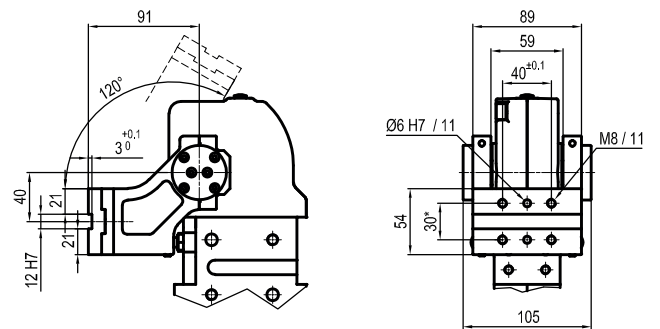
- DF-K PNP M12
- DF-J NPN M12
- DF-Y PNP M12 White LED

P Horizontal
Mirror of "O" position



5

V Vertical 180°



Z Vertical
Mirror of "V" position

