

# UAGP 350

Pneumatic power pivot 350 Nm with brake

Pneumatic power pivot with brake typically used to rotate and dump fixtures and parts in a desired position.

- High repeatability
- Mechanical stops
- Integrated flow control system
- Double pneumatic cushioning
- Fixing ports on 4 sides
- Tapered roller bearings to support heavy load
- Orientable table in 4 pre-set positions
- Version with sensor on the brake available



## CHARACTERISTICS

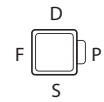
Operating temperature	5° ÷ 45° C
Min./Max. Operating pressure	0,4 / 0,6 MPa
Bore Ø	160 mm
Pivot rotation	45°/60°/90°/120°
Holding moment	8000 Nm
Max. torque at rotary table (0,55MPa)	350 Nm
Weight	55 kg
Pneumatic supply ports	G3/4
Body sensor	electronic (optical)
Brake sensor	electronic
Supply voltage	10 ÷ 30 Vdc
IP code	IP 65

## CODIFICATION KEY

UAG	P	350	O	A	090	B	S	0	
1	2	3	4	5	6	7	8	9	10

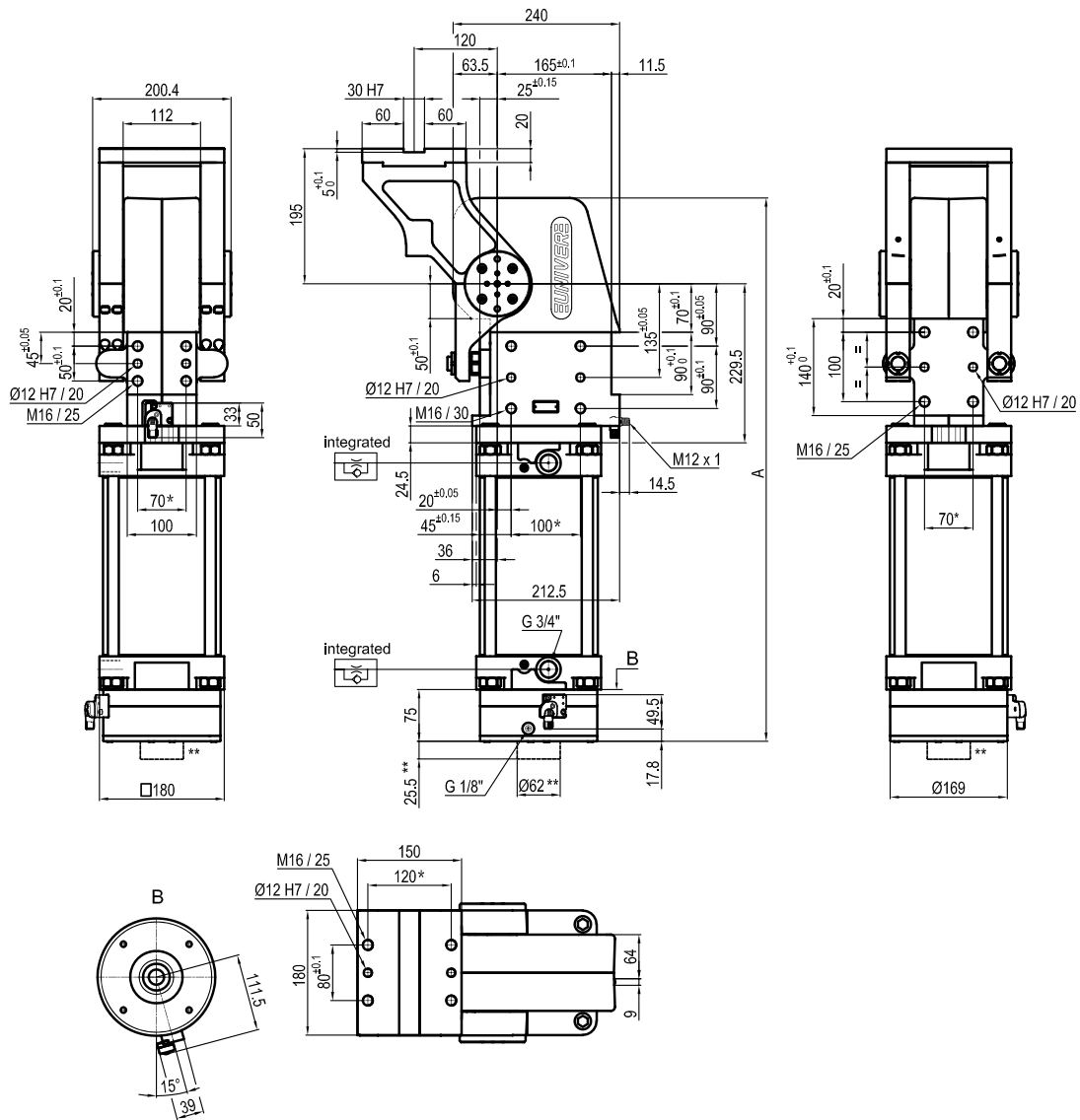
- OPTICAL SENSOR
- FLOW CONTROL SYSTEM
- HIGH REPEATABILITY

1	<b>SERIES</b> UAG = UNICLAMP Power pivot	6	<b>PIVOT ROTATION</b> 120 = 120° 090 = 90° 060 = 60° 045 = 45°
2	<b>VERSION</b> P = Pneumatic	7	<b>BRAKE SYSTEM</b> B = With brake M = With brake and manual unlock
3	<b>SIZE</b> 350 = 350 Nm Ø 160 mm	8	<b>CONNECTIONS</b> S = Left side (Standard) D = Right side F = Front side P = Rear side
4	<b>TABLE POSITION</b> O = Horizontal 90° P = Horizontal mirror of "O" V = Vertical 180° Z = Vertical mirror of "V" *Max opening angle 60°	9	<b>PRODUCT REVISION</b> Assigned by UNIVER
5	<b>SENSOR</b> N = No sensor (with protection plate) K = Electronic sensor PNP, M12 (DF-K) Y = Electronic sensor PNP, M12 (DF-Y) white LED J = Electronic sensor NPN, M12 (DF-J) A = Electronic sensor PNP, optical for opening angle, M12 (DF-K) + brake sensor (DF-S)	10	<b>ATEX</b> X = ATEX option See ATEX Catalogue for types and versions

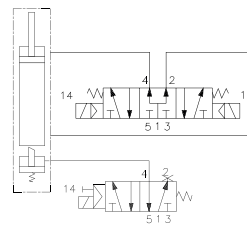


5

Horizontal 90°



5



Pivot rotation (°)	A
45°	691
60°	707
90°	744
120°	784

\*TOLERANCE BETWEEN DOWELS ± 0,02 BETWEEN SCREW HOLES ± 0,1  
 \*\*VERSION WITH BRAKE UNLOCK "M"

Sensors

Body



Brake



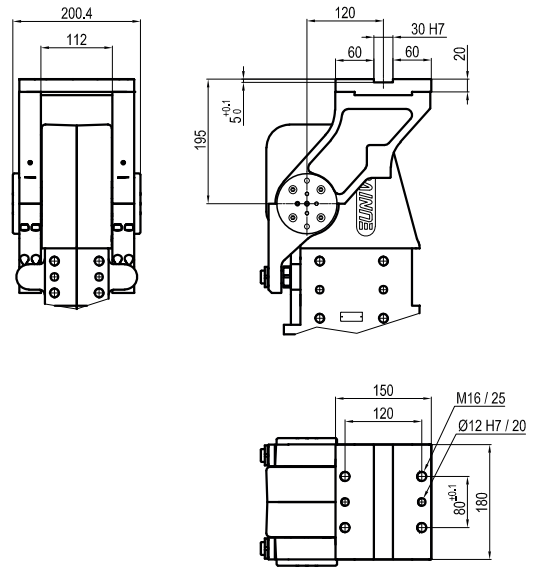
Electronic (optical)

- DF-K PNP M12
- DF-J NPN M12
- DF-Y PNP M12 White LED

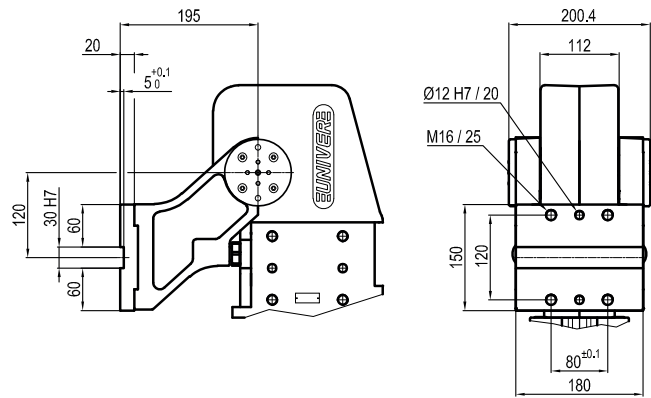
Electronic

- DF-S PNP M12

**P** Horizontal  
Mirror of "O" position



**5** **V** Vertical 180°



**Z** Vertical  
Mirror of "V" position

