

UAGP300A__BS0

6 PIVOT ROTATION

6

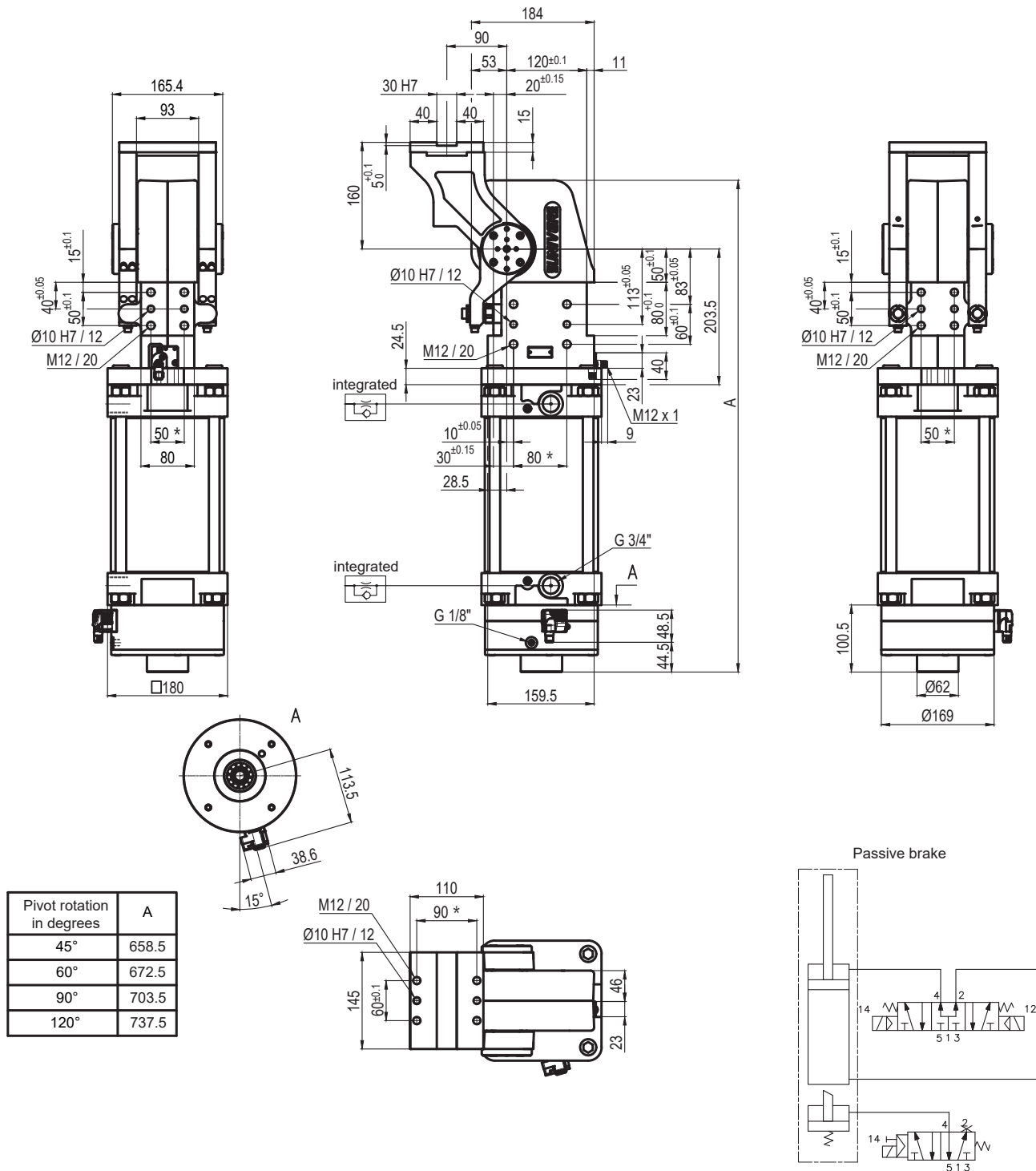
120 = 120°
 090 = 90°
 060 = 60°
 045 = 45°

Size	Holding moment	Max. torque at the rotary table 0,55 MPa	Weight
300	6000 Nm	300 Nm	39,5 Kg

Min./Max. operating pressure: **0,4 / 0,6 MPa**
 Operating temperature: **5° ÷ 45° C**
 Predetermine pivot rotation in degrees: **45°- 60°- 90°-120°**
 Rotary table position: **Horizontal 90°**
 Electronic sensor with M12 swivel connector, from 0° to 90°
 Supply voltage: **10 ÷ 30 Vdc**
 IP code: **IP 65**

*: TOLERANCE BETWEEN DOWEL HOLES ± 0,02, BETWEEN SCREW HOLES ± 0,1

Subject to technical modifications without notice


UAGP300OA__MS0
6 PIVOT ROTATION
6

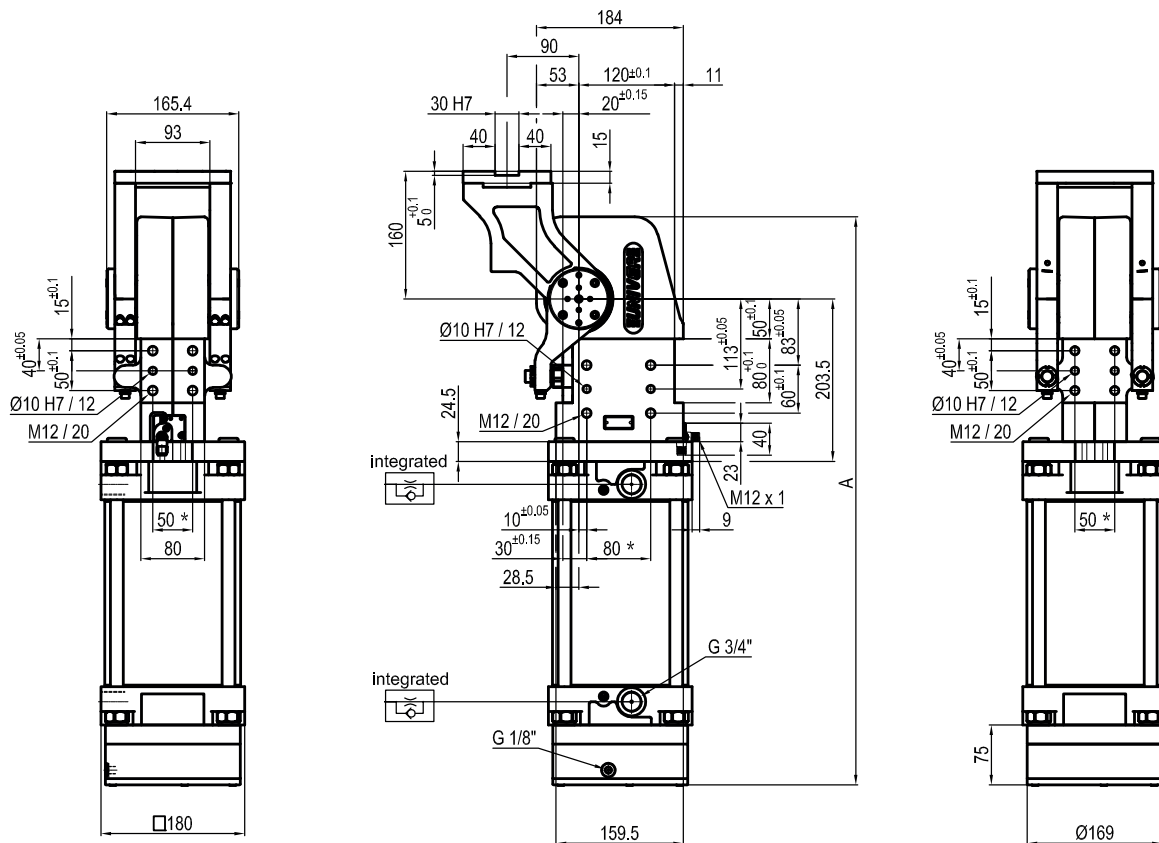
 120 = 120°
 090 = 90°
 060 = 60°
 045 = 45°

Size	Holding moment	Max. torque at the rotary table 0,55 MPa	Weight
300	6000 Nm	300 Nm	39,7 Kg

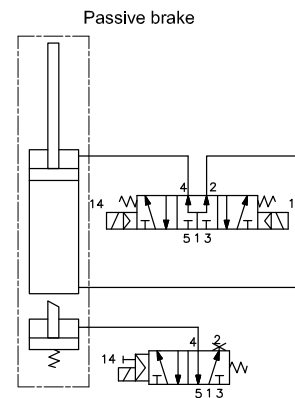
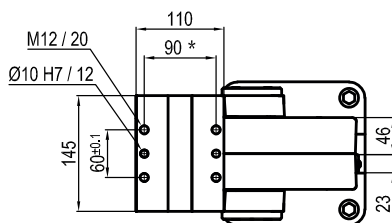
 Min./Max. operating pressure: **0,4 / 0,6 MPa**
 Operating temperature: **5° ÷ 45° C**
 Predetermine pivot rotation in degrees: **45°- 60°- 90°- 120°**
 Rotary table position: **Horizontal 90°**
 Electronic sensor with M12 swivel connector, from 0° to 90°
 Supply voltage: **10 ÷ 30 Vdc**
 IP code: **IP 65**

*: TOLERANCE BETWEEN DOWEL HOLES ± 0,02, BETWEEN SCREW HOLES ± 0,1

Subject to technical modifications without notice



Pivot rotation in degrees	A
45°	633
60°	647
90°	678
120°	712



UAGP300OK__BS0

6 PIVOT ROTATION

6

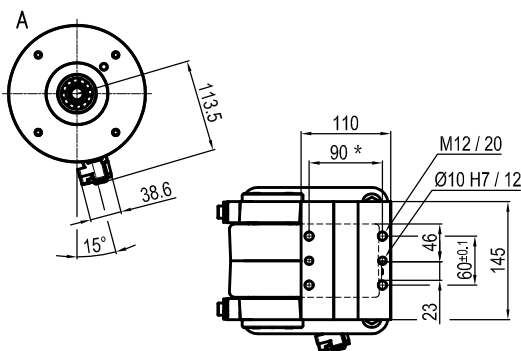
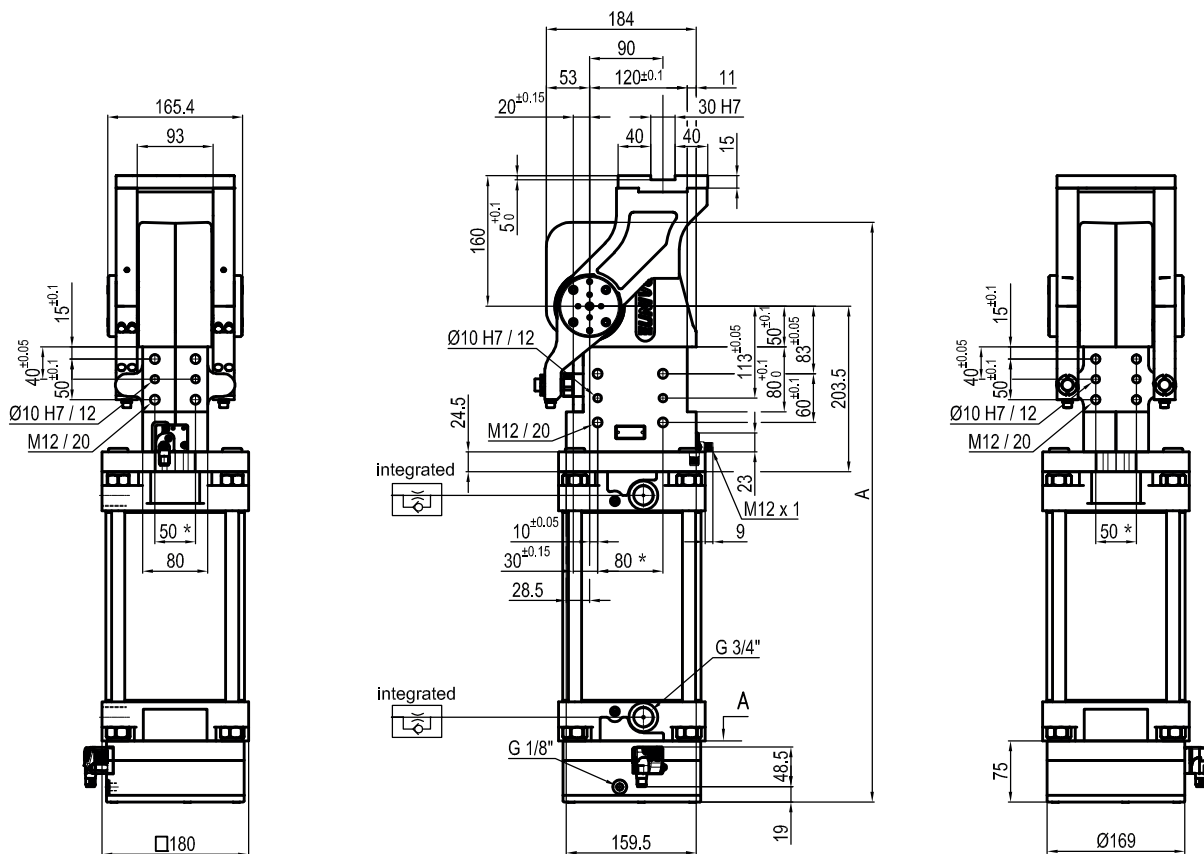
120 = 120°
090 = 90°
060 = 60°
045 = 45°

Size	Holding moment	Max. torque at the rotary table 0,55 MPa	Weight
300	6000 Nm	300 Nm	39,5 Kg

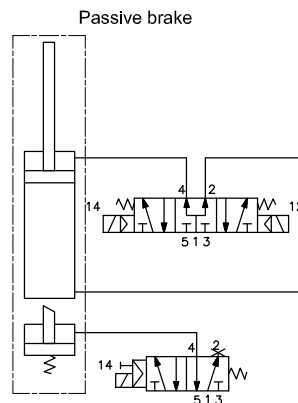
Min./Max. operating pressure: **0,4 / 0,6 MPa**
 Operating temperature: **5° ÷ 45° C**
 Predetermine pivot rotation in degrees: **45° - 60° - 90° - 120°**
 Rotary table position: **Horizontal 90°**
 Electronic sensor with M12 swivel connector, from 0° to 90°
 Supply voltage: **10 ÷ 30 Vdc**
 IP code: **IP 65**

*: TOLERANCE BETWEEN DOWEL HOLES ± 0,02, BETWEEN SCREW HOLES ± 0,1

Subject to technical modifications without notice



Pivot rotation in degrees	A
45°	633
60°	647



UAGP300PA__BS0

6 PIVOT ROTATION

6

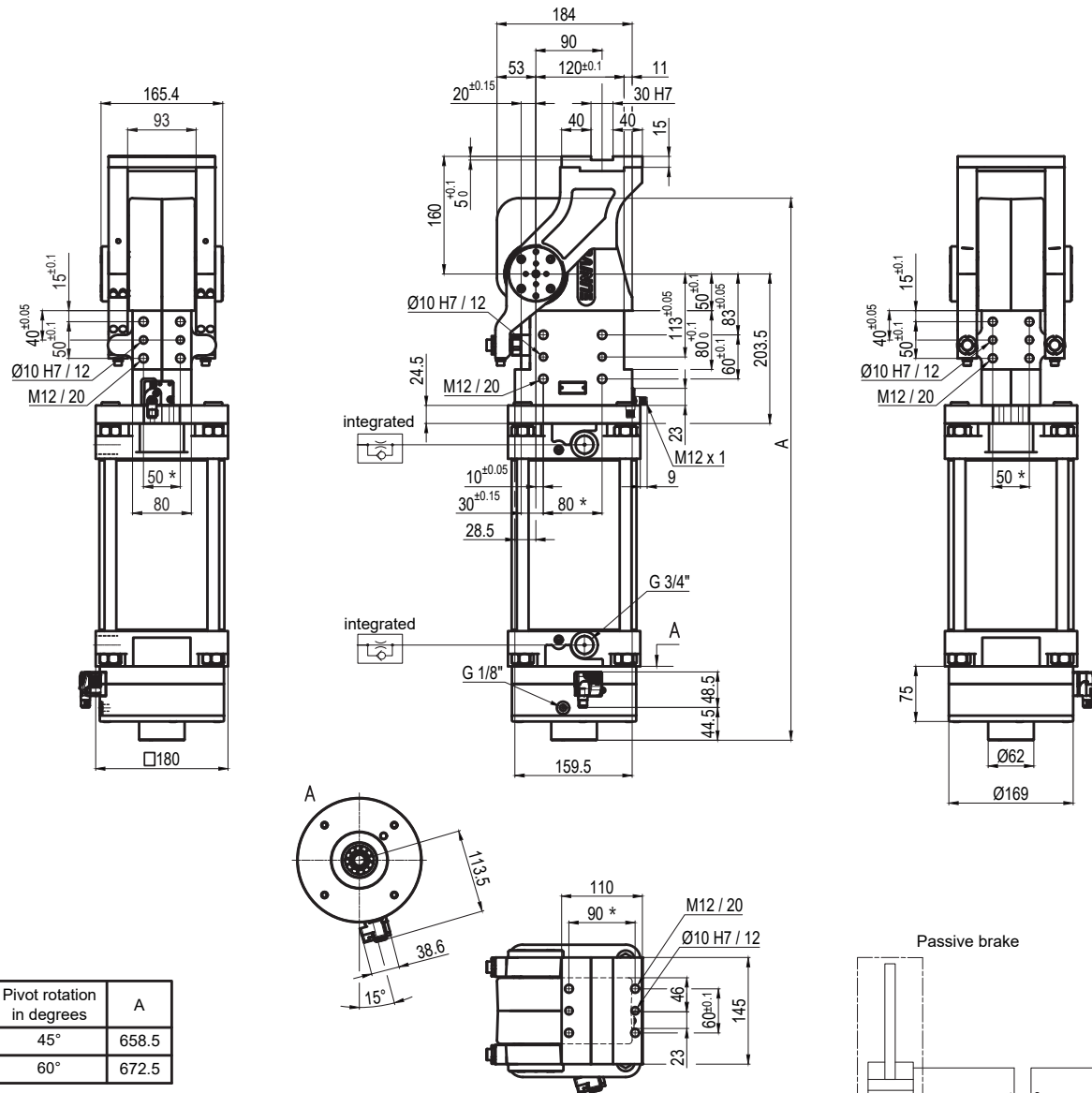
060 = 60°
045 = 45°

Size	Holding moment	Max. torque at the rotary table 0,55 MPa	Weight
300	6000 Nm	300 Nm	39,5 Kg

Min./Max. operating pressure: **0,4 / 0,6 MPa**
 Operating temperature: **5° ÷ 45° C**
 Predetermine pivot rotation in degrees: **45° - 60°**
 Rotary table position: **Horizontal mirror of O**
 Electronic sensor with M12 swivel connector, from 0° to 90°
 Supply voltage: **10 ÷ 30 Vdc**
 IP code: **IP 65**

*: TOLERANCE BETWEEN DOWEL HOLES ± 0,02, BETWEEN SCREW HOLES ± 0,1

Subject to technical modifications without notice


UAGP300PA__MS0
6 PIVOT ROTATION
6

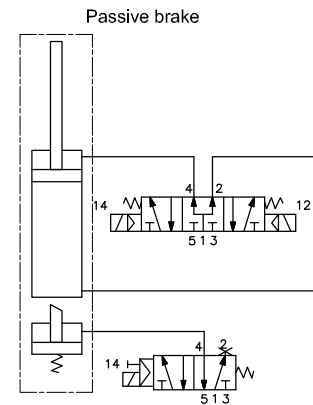
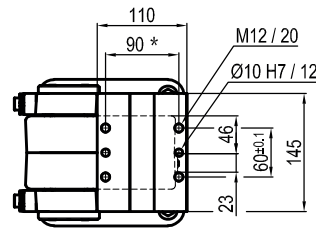
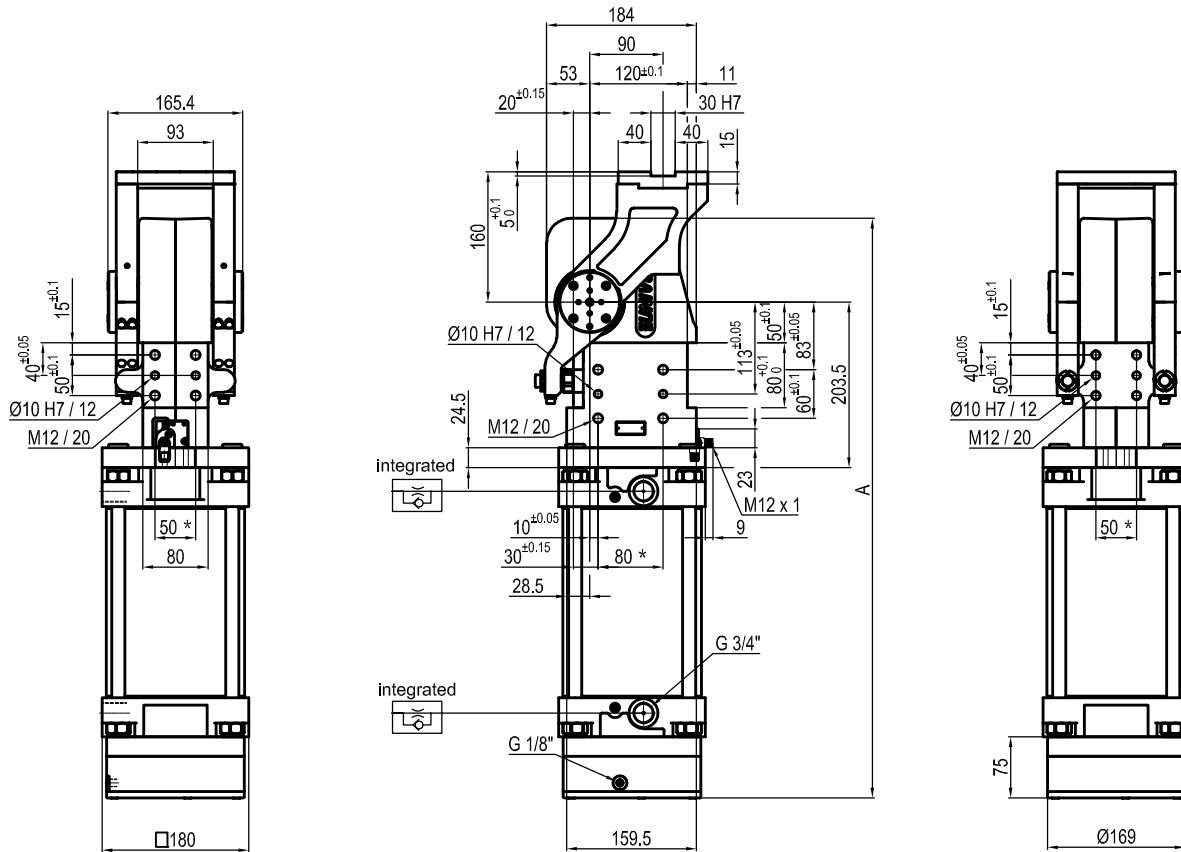
 060 = 60°
 045 = 45°

Size	Holding moment	Max. torque at the rotary table 0,55 MPa	Weight
300	6000 Nm	300 Nm	39,7 Kg

Min./Max. operating pressure: **0,4 / 0,6 MPa**
 Operating temperature: **5° ÷ 45° C**
 Predetermine pivot rotation in degrees: **45°- 60°**
 Rotary table position: **Horizontal mirror of O**
 Electronic sensor with M12 swivel connector, from 0° to 90°
 Supply voltage: **10 ÷ 30 Vdc**
 IP code: **IP 65**

*: TOLERANCE BETWEEN DOWEL HOLES ± 0,02, BETWEEN SCREW HOLES ± 0,1

Subject to technical modifications without notice


UAGP300PK__BS0
6 PIVOT ROTATION
6

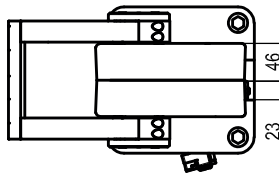
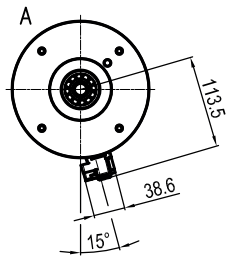
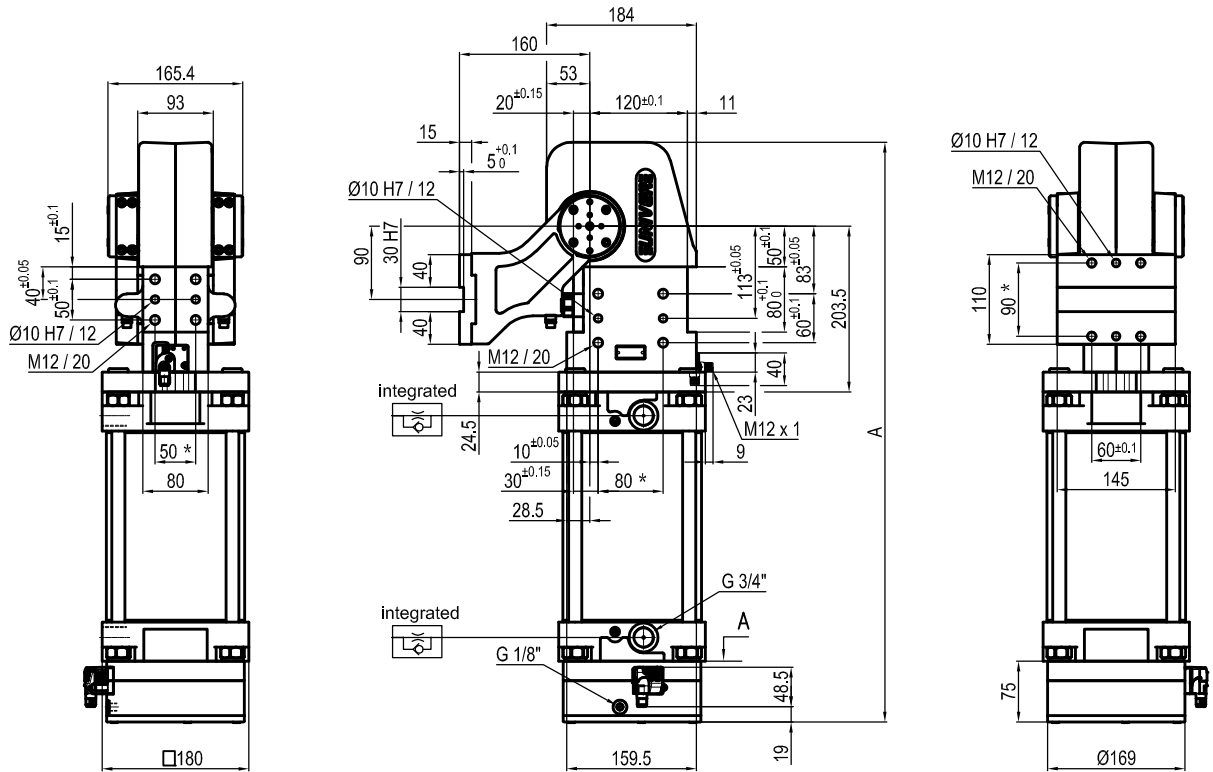
 060 = 60°
 045 = 45°

Size	Holding moment	Max. torque at the rotary table 0,55 MPa	Weight
300	6000 Nm	300 Nm	39,5 Kg

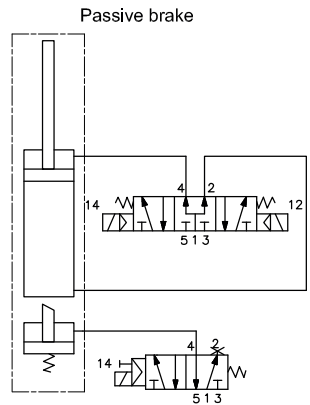
Min./Max. operating pressure: **0,4 / 0,6 MPa**
 Operating temperature: **5° ÷ 45° C**
 Predetermine pivot rotation in degrees: **45° - 60°**
 Rotary table position: **Horizontal mirror of O**
 Electronic sensor with M12 swivel connector, from 0° to 90°
 Supply voltage: **10 ÷ 30 Vdc**
 IP code: **IP 65**

*: TOLERANCE BETWEEN DOWEL HOLES ± 0,02, BETWEEN SCREW HOLES ± 0,1

Subject to technical modifications without notice



Pivot rotation in degrees	A
45°	633
60°	647
90°	678
120°	712



UAGP300VA__BS0

6 PIVOT ROTATION

6

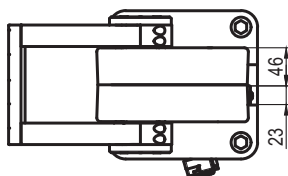
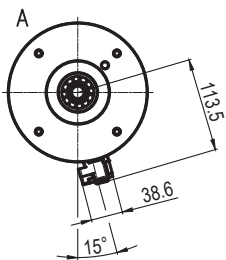
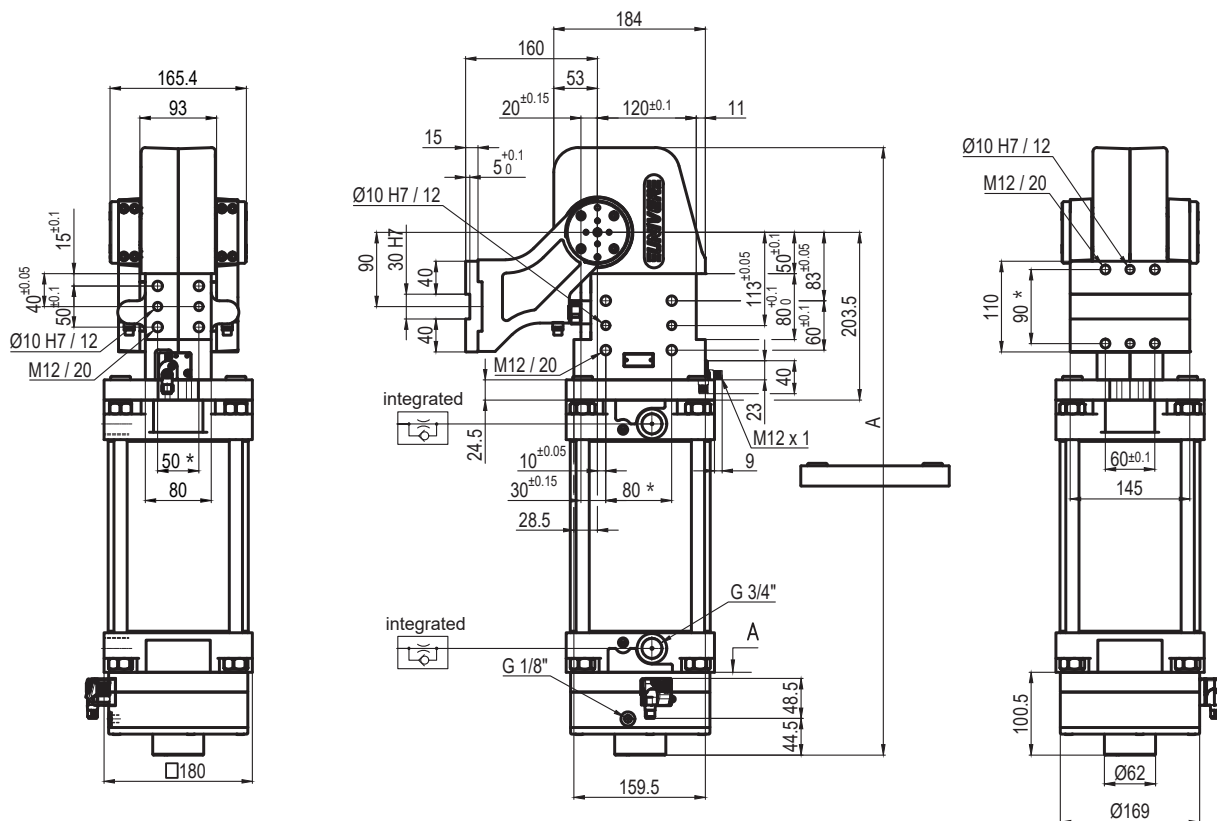
120 = 120°
090 = 90°
060 = 60°
045 = 45°

Size	Holding moment	Max. torque at the rotary table 0,55 MPa	Weight
300	6000 Nm	300 Nm	39,5 Kg

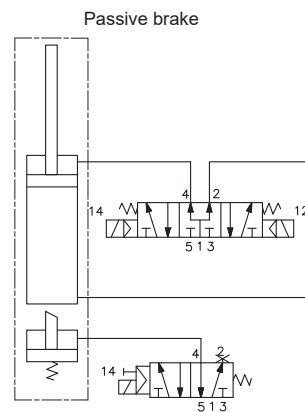
Min./Max. operating pressure: **0,4 / 0,6 MPa**
 Operating temperature: **5° ÷ 45° C**
 Predetermine pivot rotation in degrees: **45° - 60° - 90° - 120°**
 Rotary table position: **Vertical 180°**
 Electronic sensor with M12 swivel connector, from 0° to 90°
 Supply voltage: **10 ÷ 30 Vdc**
 IP code: **IP 65**

*: TOLERANCE BETWEEN DOWEL HOLES ± 0,02, BETWEEN SCREW HOLES ± 0,1

Subject to technical modifications without notice



Pivot rotation in degrees	A
45°	658.5
60°	672.5
90°	703.5
120°	737.5


UAGP300VA__MS0
6 PIVOT ROTATION
6

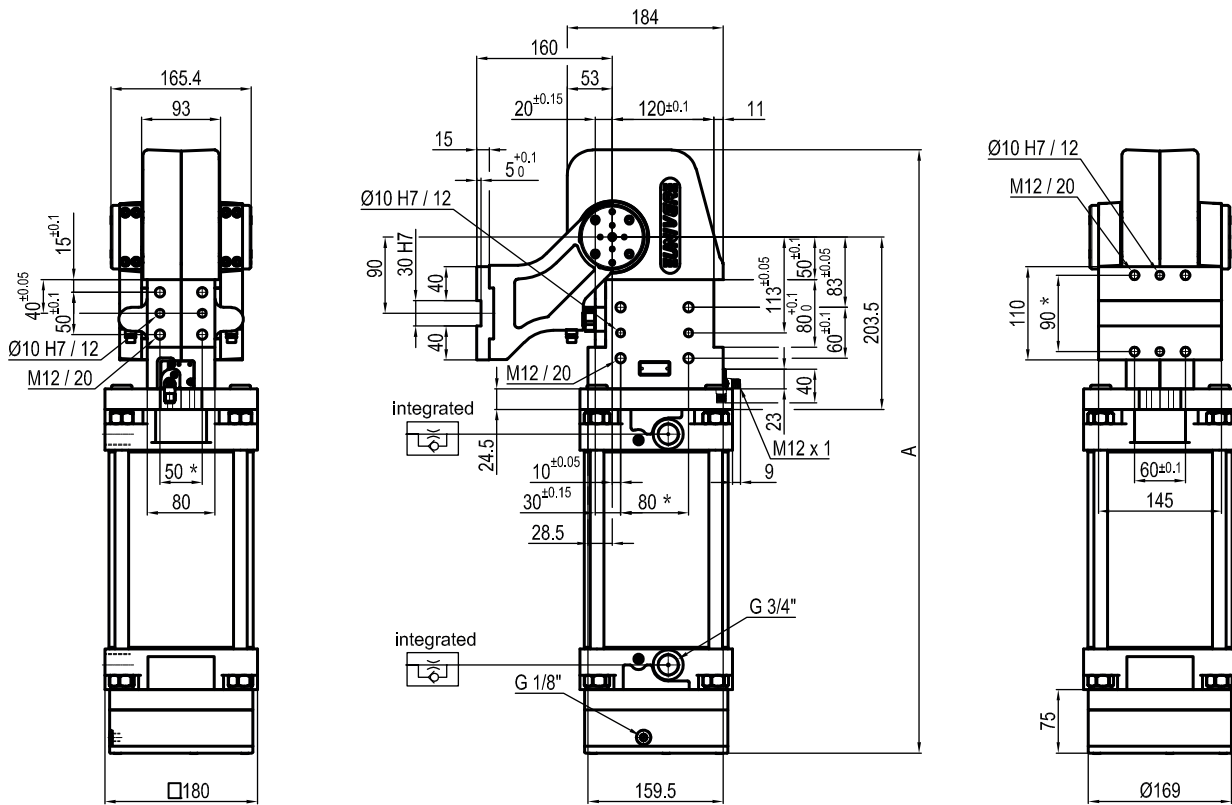
- 120 = 120°
- 090 = 90°
- 060 = 60°
- 045 = 45°

Size	Holding moment	Max. torque at the rotary table 0,55 MPa	Weight
300	6000 Nm	300 Nm	39,7 Kg

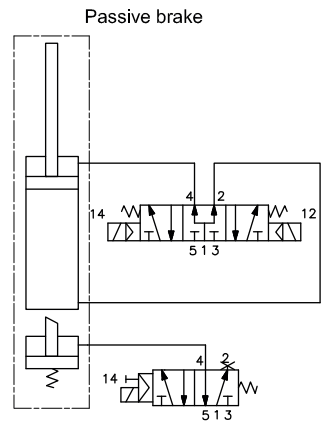
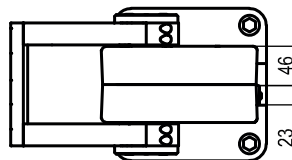
Min./Max. operating pressure: **0,4 / 0,6 MPa**
 Operating temperature: **5° ÷ 45° C**
 Predetermine pivot rotation in degrees: **45° - 60° - 90° - 120°**
 Rotary table position: **Vertical 180°**
 Electronic sensor with M12 swivel connector, from 0° to 90°
 Supply voltage: **10 ÷ 30 Vdc**
 IP code: **IP 65**

* : TOLERANCE BETWEEN DOWEL HOLES ± 0,02, BETWEEN SCREW HOLES ± 0,1

Subject to technical modifications without notice



Pivot rotation in degrees	A
45°	633
60°	647
90°	678
120°	712



UAGP300VK__BS0

6 PIVOT ROTATION

6

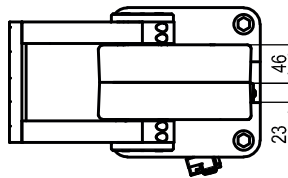
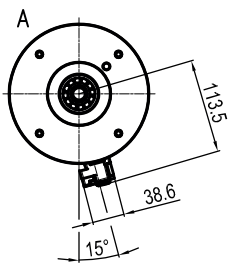
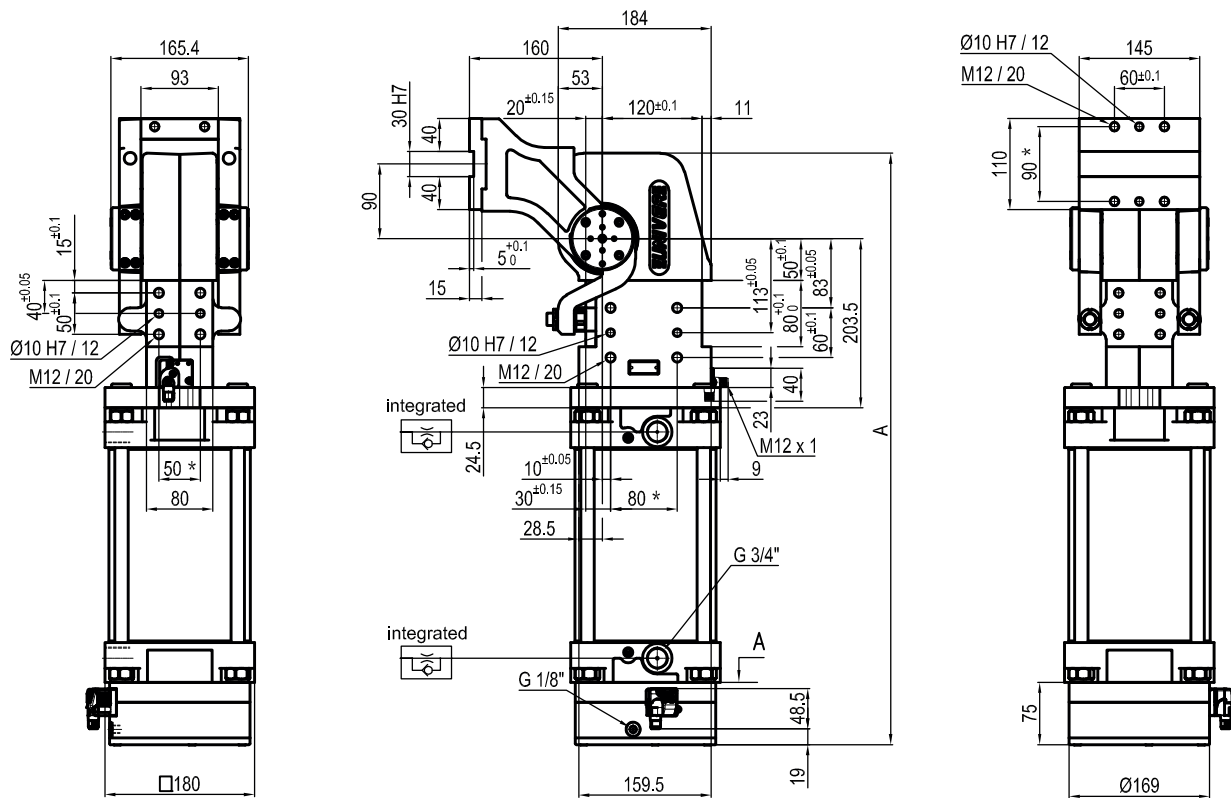
120 = 120°
 090 = 90°
 060 = 60°
 045 = 45°

Size	Holding moment	Max. torque at the rotary table 0,55 MPa	Weight
300	6000 Nm	300 Nm	39,5 Kg

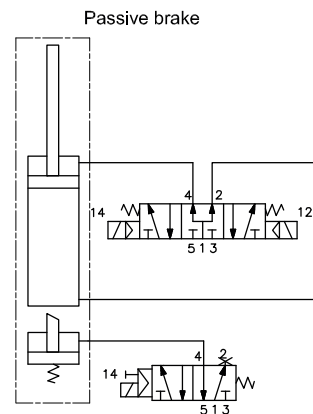
Min./Max. operating pressure: **0,4 / 0,6 MPa**
 Operating temperature: **5° ÷ 45° C**
 Predetermine pivot rotation in degrees: **45° - 60° - 90° - 120°**
 Rotary table position: **Vertical 180°**
 Electronic sensor with M12 swivel connector, from 0° to 90°
 Supply voltage: **10 ÷ 30 Vdc**
 IP code: **IP 65**

* : TOLERANCE BETWEEN DOWEL HOLES ± 0,02, BETWEEN SCREW HOLES ± 0,1

Subject to technical modifications without notice



Pivot rotation in degrees	A
45°	633
60°	647
90°	678
120°	712



UAGP300ZA__BS0

6 PIVOT ROTATION

6

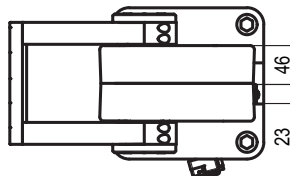
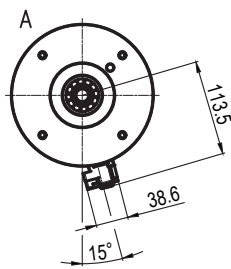
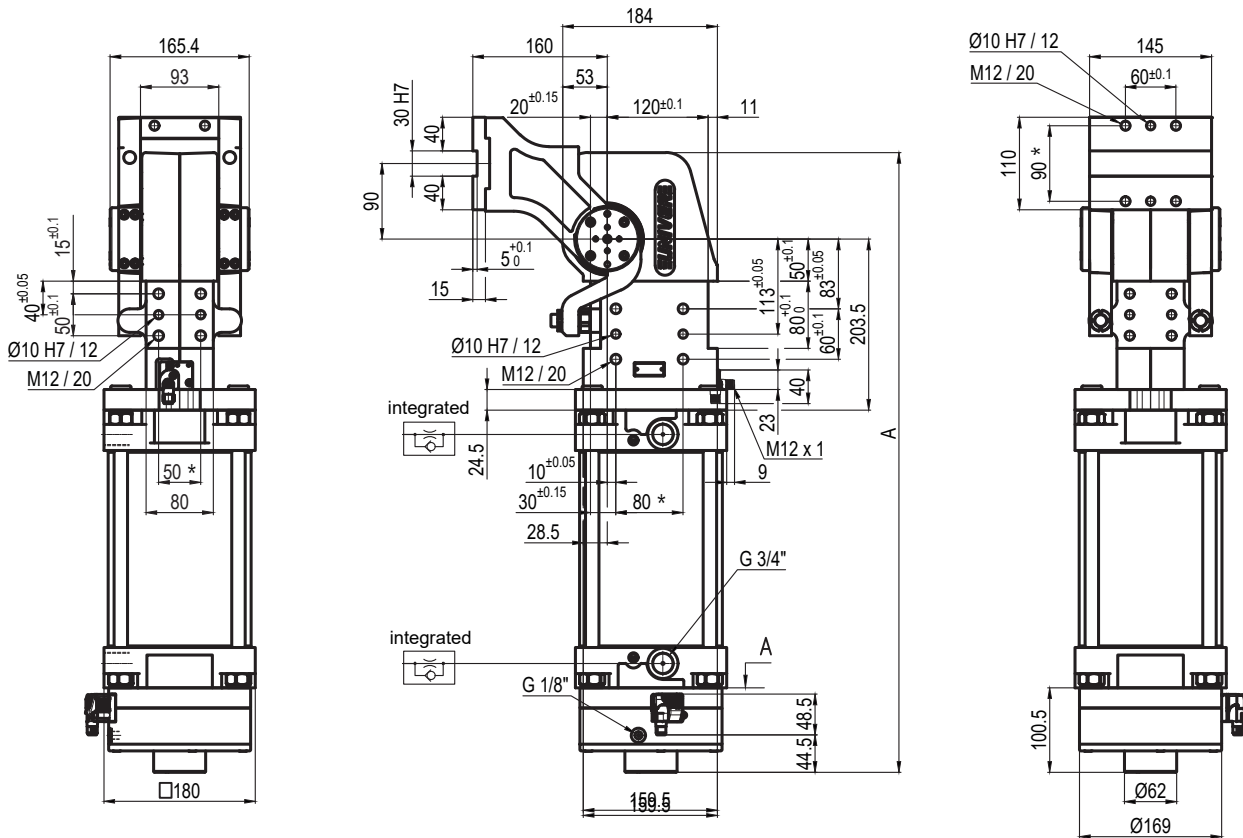
120 = 120°
 090 = 90°
 060 = 60°
 045 = 45°

Size	Holding moment	Max. torque at the rotary table 0,55 MPa	Weight
300	6000 Nm	300 Nm	39,5 Kg

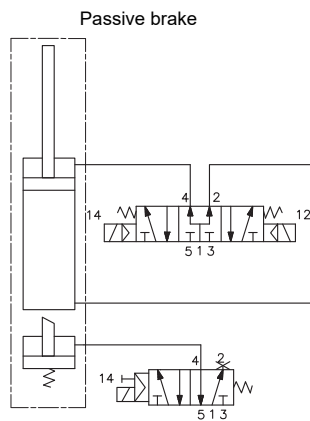
Min./Max. operating pressure: **0,4 / 0,6 MPa**
 Operating temperature: **5° ÷ 45° C**
 Predetermine pivot rotation in degrees: **45° - 60° - 90° - 120°**
 Rotary table position: **Vertical mirror of V**
 Electronic sensor with M12 swivel connector, from 0° to 90°
 Supply voltage: **10 ÷ 30 Vdc**
 IP code: **IP 65**

*: TOLERANCE BETWEEN DOWEL HOLES ± 0,02, BETWEEN SCREW HOLES ± 0,1

Subject to technical modifications without notice



Pivot rotation in degrees	A
45°	658.5
60°	672.5
90°	703.5
120°	737.5



UAGP300ZA__MS0

6 PIVOT ROTATION

6

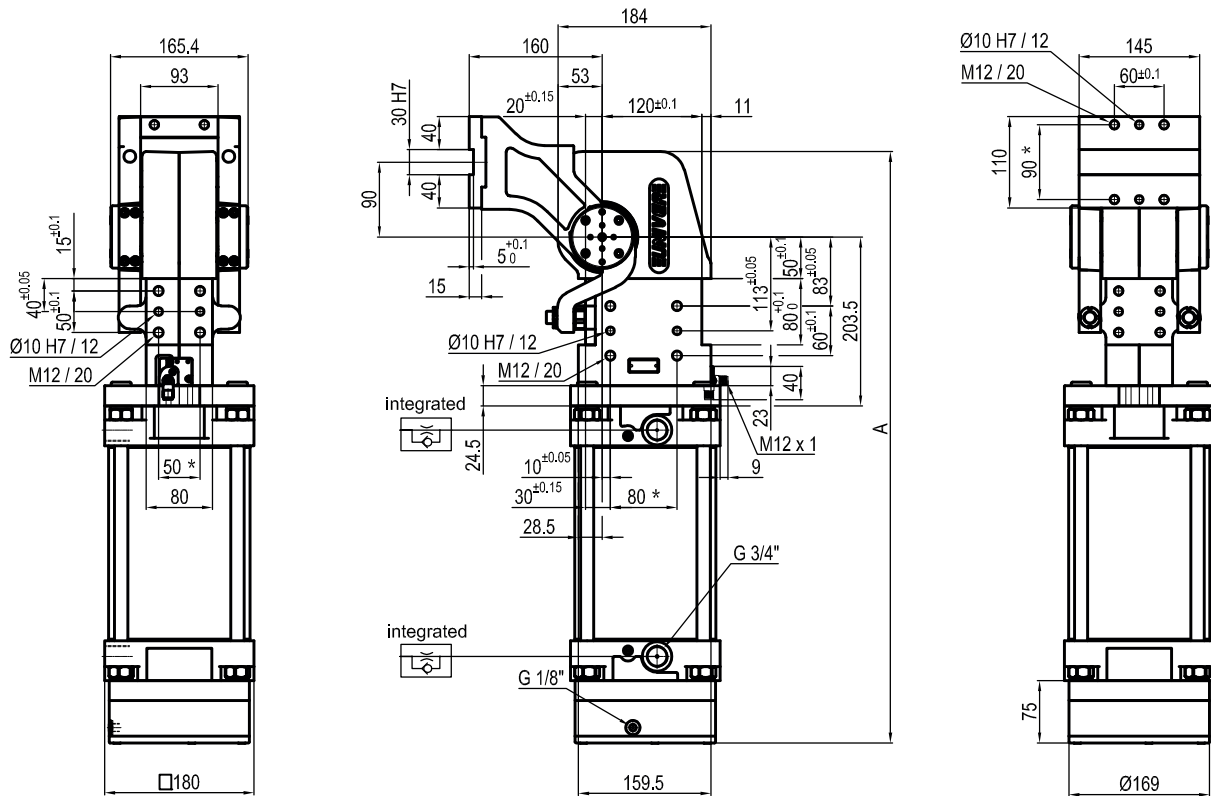
120 = 120°
 090 = 90°
 060 = 60°
 045 = 45°

Size	Holding moment	Max. torque at the rotary table 0,55 MPa	Weight
300	6000 Nm	300 Nm	39,7 Kg

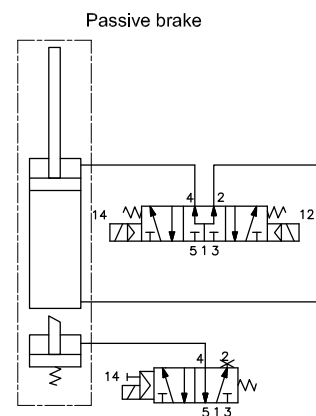
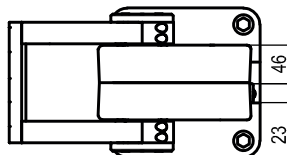
Min./Max. operating pressure: **0,4 / 0,6 MPa**
 Operating temperature: **5° ÷ 45° C**
 Predetermine pivot rotation in degrees: **45°- 60°- 90°- 120°**
 Rotary table position: **Vertical mirror of V**
 Electronic sensor with M12 swivel connector, from 0° to 90°
 Supply voltage: **10 ÷ 30 Vdc**
 IP code: **IP 65**

* : TOLERANCE BETWEEN DOWEL HOLES ± 0,02, BETWEEN SCREW HOLES ± 0,1

Subject to technical modifications without notice



Pivot rotation in degrees	A
45°	633
60°	647
90°	678
120°	712



UAGP300ZK__BS0

6 PIVOT ROTATION

6

120 = 120°
 090 = 90°
 060 = 60°
 045 = 45°

Size	Holding moment	Max. torque at the rotary table 0,55 MPa	Weight
300	6000 Nm	300 Nm	39,5 Kg

Min./Max. operating pressure: **0,4 / 0,6 MPa**
 Operating temperature: **5° ÷ 45° C**
 Predetermine pivot rotation in degrees: **45° - 60° - 90° - 120°**
 Rotary table position: **Vertical mirror of V**
 Electronic sensor with M12 swivel connector, from 0° to 90°
 Supply voltage: **10 ÷ 30 Vdc**
 IP code: **IP 65**

* : TOLERANCE BETWEEN DOWEL HOLES ± 0,02, BETWEEN SCREW HOLES ± 0,1

Subject to technical modifications without notice