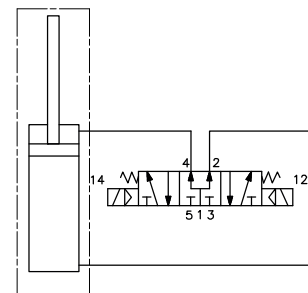
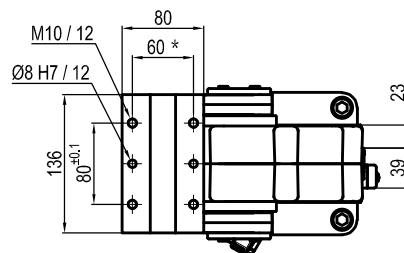


Pivot rotation in degrees	A
45°	514.5
60°	526
90°	551
120°	576.5



UAGP170OK__WSO

6 PIVOT ROTATION

6

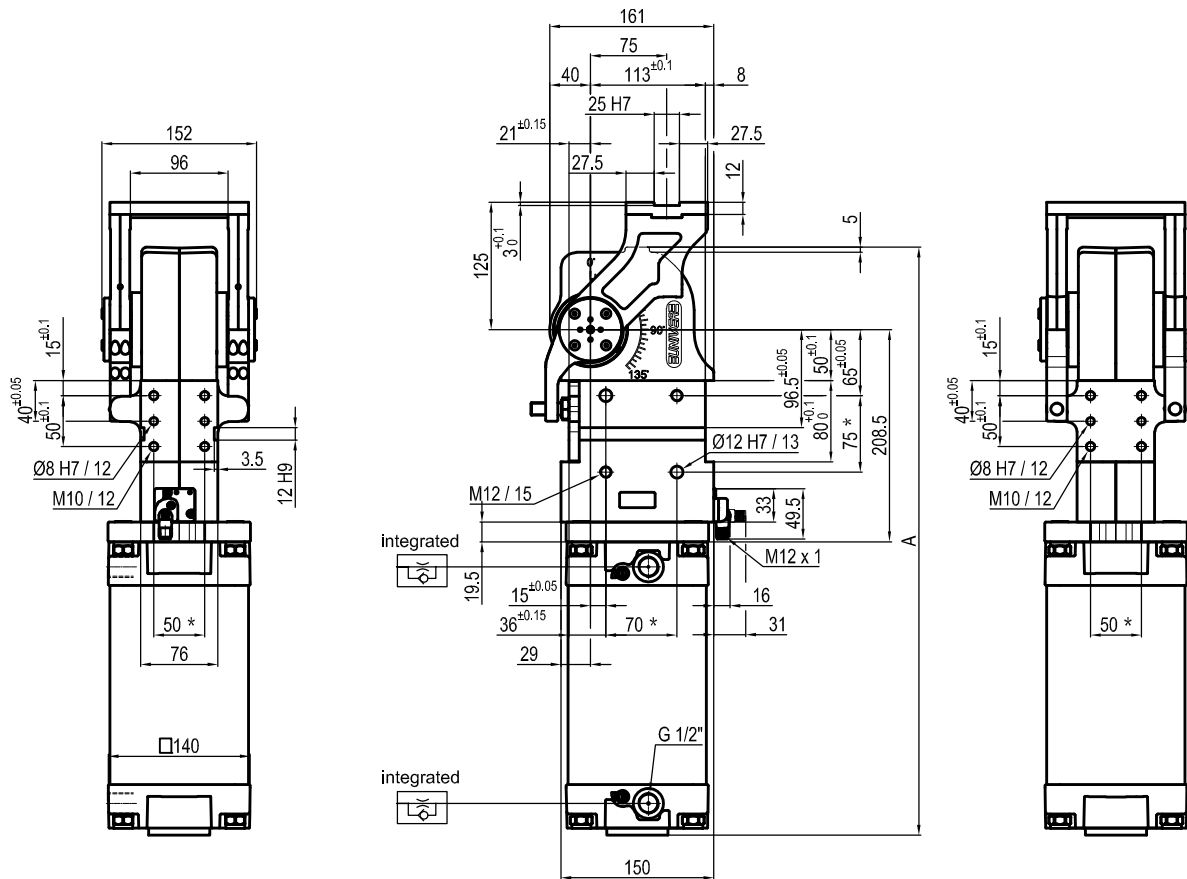
120 = 120°
090 = 90°
060 = 60°
045 = 45°

Size	Holding moment	Max. torque at the rotary table 0,55 MPa	Weight
170	4000 Nm	170 Nm	21,3 Kg

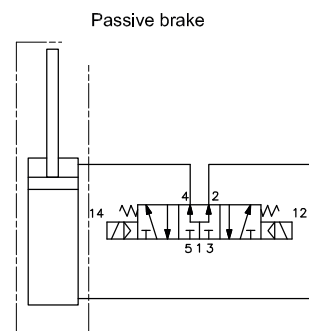
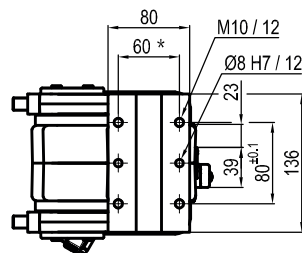
Min./Max. operating pressure: **0,4 / 0,6 MPa**
 Operating temperature: **5° ÷ 45° C**
 Predetermine pivot rotation in degrees: **45° - 60° - 90° - 120°**
 Rotary table position: **Horizontal 90°**
 Electronic sensor with M12 swivel connector, from 0° to 90°
 Supply voltage: **10 ÷ 30 Vdc**
 IP code: **IP 65**

* : TOLERANCE BETWEEN DOWEL HOLES ± 0,02, BETWEEN SCREW HOLES ± 0,1

Subject to technical modifications without notice



Pivot rotation in degrees	A
45°	514.5
60°	526


UAGP170PK__WSO
6 PIVOT ROTATION
6

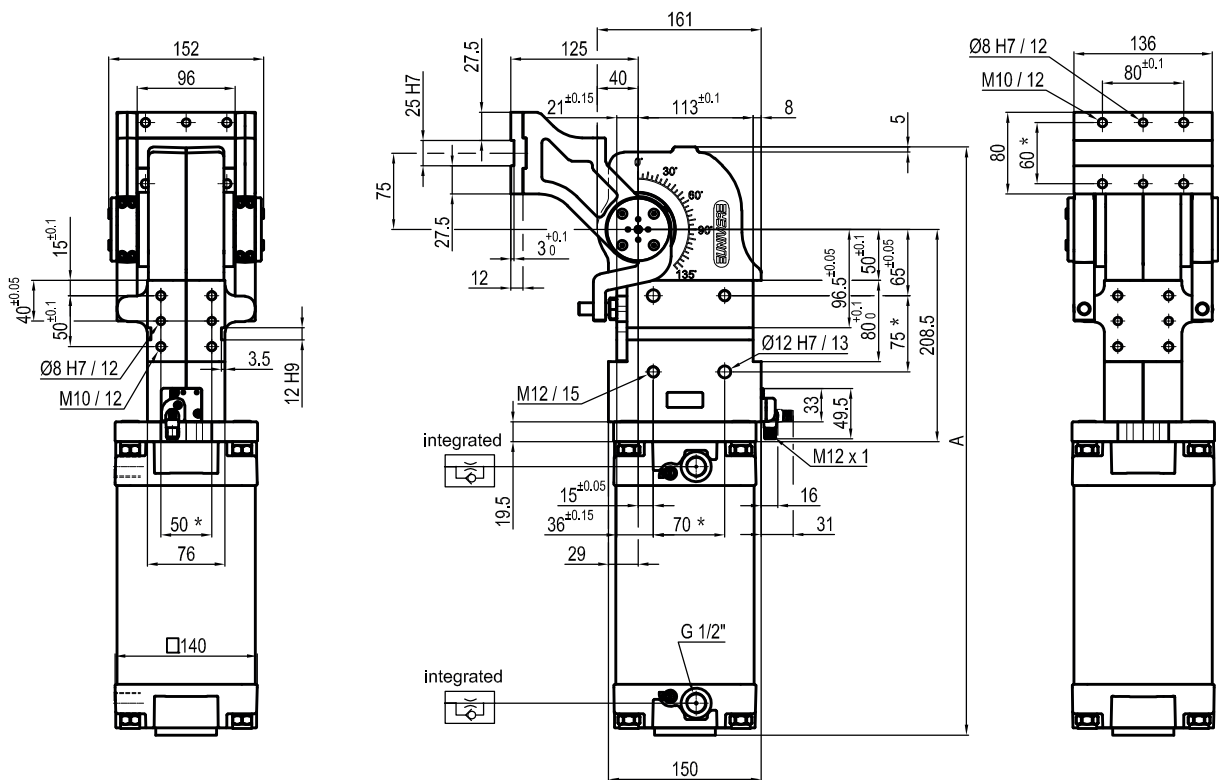
 060 = 60°
 045 = 45°

Size	Holding moment	Max. torque at the rotary table 0,55 MPa	Weight
170	4000 Nm	170 Nm	21,3 Kg

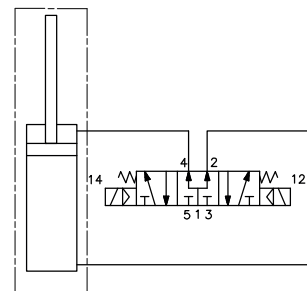
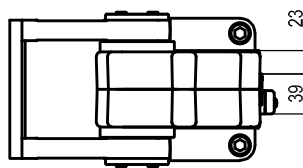
Min./Max. operating pressure: **0,4 / 0,6 MPa**
 Operating temperature: **5° ÷ 45° C**
 Predetermine pivot rotation in degrees: **45° - 60°**
 Rotary table position: **Horizontal mirror of O**
 Electronic sensor with M12 swivel connector, from 0° to 90°
 Supply voltage: **10 ÷ 30 Vdc**
 IP code: **IP 65**

*: TOLERANCE BETWEEN DOWEL HOLES ± 0,02, BETWEEN SCREW HOLES ± 0,1

Subject to technical modifications without notice



Pivot rotation in degrees	A
45°	514.5
60°	526
90°	551
120°	576.5


UAGP170VK__WSO
6 PIVOT ROTATION
6

120 = 120°
 090 = 90°
 060 = 60°
 045 = 45°

Size	Holding moment	Max. torque at the rotary table 0,55 MPa	Weight
170	4000 Nm	170 Nm	21,3 Kg

Min./Max. operating pressure: **0,4 / 0,6 MPa**
 Operating temperature: **5° ÷ 45° C**
 Predetermine pivot rotation in degrees: **45° - 60° - 90° - 120°**
 Rotary table position: **Vertical mirror of V**
 Electronic sensor with M12 swivel connector, from 0° to 90°
 Supply voltage: **10 ÷ 30 Vdc**
 IP code: **IP 65**

* : TOLERANCE BETWEEN DOWEL HOLES ± 0,02, BETWEEN SCREW HOLES ± 0,1

Subject to technical modifications without notice