

DF-K

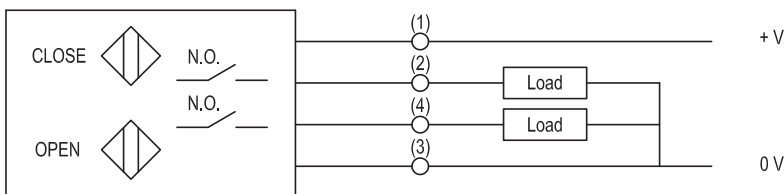
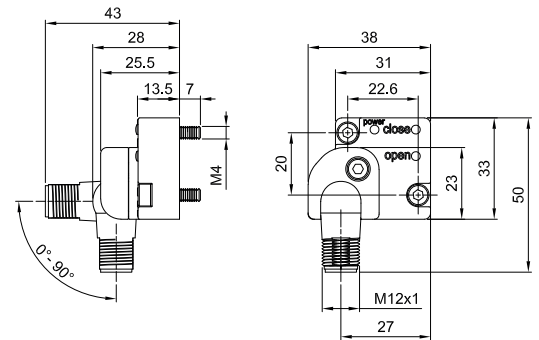
Electronic sensor (optic)



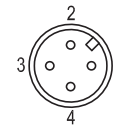
TECHNICAL CHARACTERISTICS

| | |
|-----------------------------|---------------|
| Supply voltage | 10-30 V DC |
| Supply current without load | <25 mA |
| Rated operational current | 30 mA |
| Voltage drop | <3,5 V DC |
| Output logic | PNP N.O. |
| Led-supply | green (power) |
| Led-closed | red (close) |
| Led-open | yellow (open) |
| Protection class | IP 67 |
| Weight | 64 gr |
| No reset | |

Dimensions



Front view



Male contacts Micro C M12

Change of the sensor

Unscrew the screws on the sensor base and replace the sensor

Connector orientation

- Unscrew the screw of the connector
- Rotate the connector (0° or 90°)
- Tighten the screw

