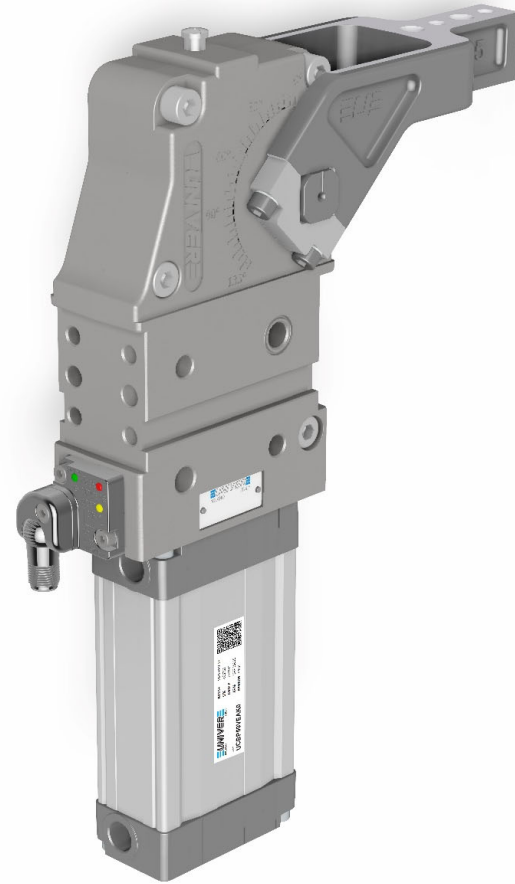


UNICLAMP

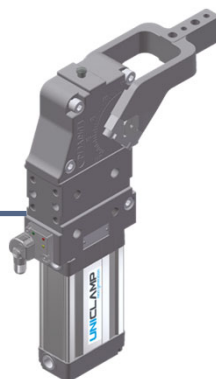
next generation

POWER CLAMPS
UNICLAMP
next generation



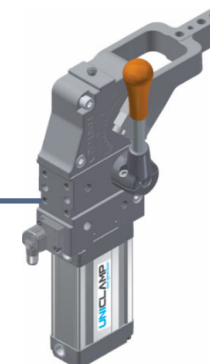
Pneumatic

Series UCBP – UCBH – UCIP
Ø 40, 50, 63, 80
Ø 40 interchangeable with
size 50/63



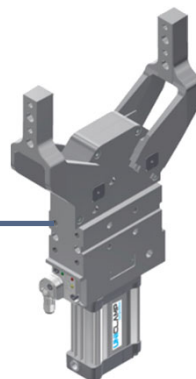
Pneumatic with hand lever

Series UCBM – UCBQ – UCIM
Ø 40, 50, 63, 80
Ø 40 interchangeable with
size 50/63



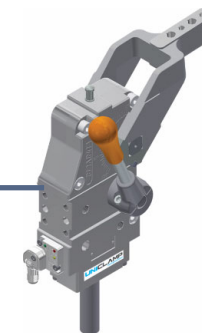
Pneumatic with double arm

Series UCDP
Ø 40, 63



Manual

Series UCBL
Ø 50, 63



POWER CLAMPS NAAMS STANDARD

UNICLAMP
next generation

Pneumatic

Series UCNP
Ø 50, 63, 80

GLOBAL STANDARD COMPONENTS
NAAMS 

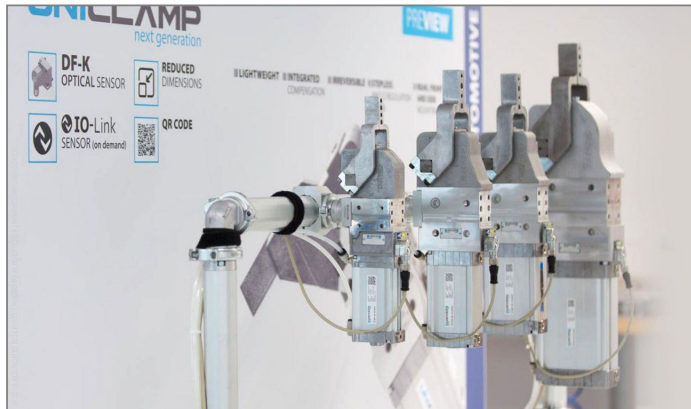


Pneumatic with hand lever

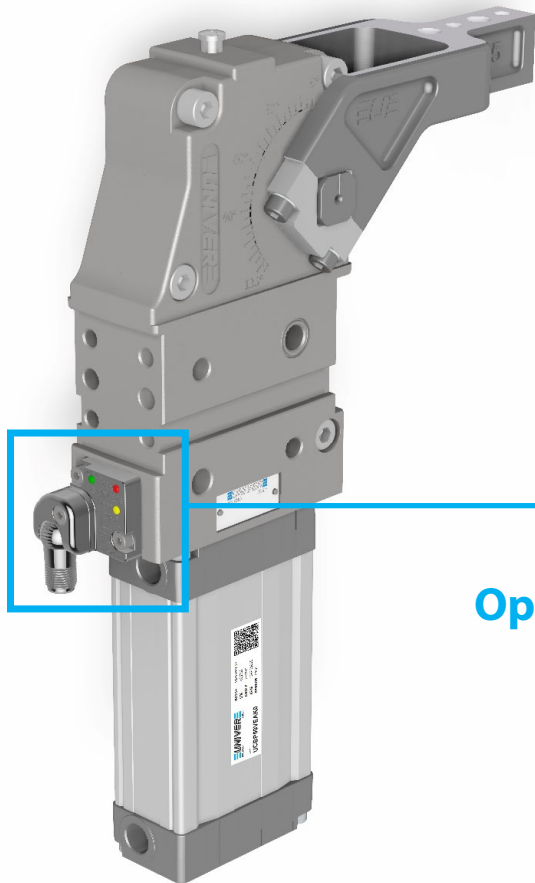
Series UCNM
Ø 50, 63, 80

GLOBAL STANDARD COMPONENTS
NAAMS 

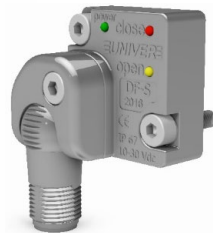




- Fully optical sensor DF-K **NEW**
- Compact and lightweight construction **NEW**
- **THE LIGHTEST ON THE MARKET**
- Identification with **QR Code** **NEW**
- **Adjustable opening angle** (0 to 135°)
- **Integrated compensation** (up to 3mm)
- **Toggle-joint mechanism**
- Maintenance free
- **European** and **NAAMS** Standards

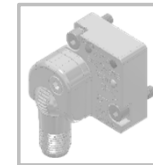


New **Fully
Optical Sensor**



- UNIVER **original**
- Fully **optical**
- **Compact** design
- **Metal** body
- M12 swivel connector

One sensor for the whole range



New
fully optical
sensor DF-K



Compact
design



QR Code

UNICLAMP
next generation



Power
clamps



Locating pin
units



Pin clamps



Power Pivots



Gripper units



Marking
units

UNICLAMP
next generation

ONE CLAMP FORWARD