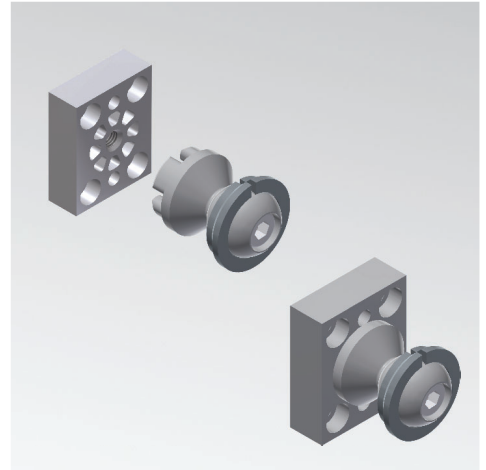
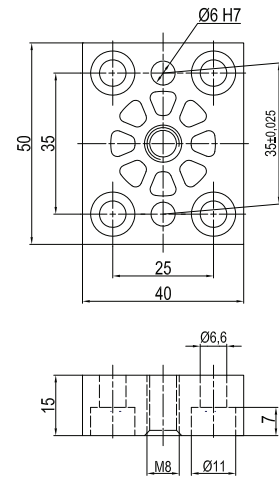
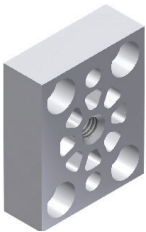


Rear mount plates

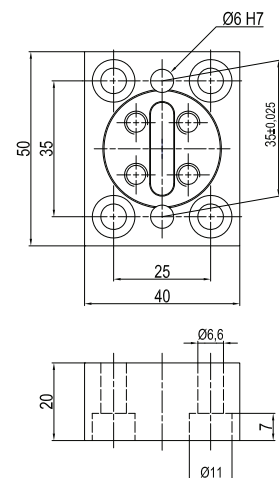
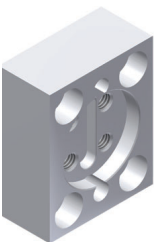


GR8SR40 Rear mount plate for clamps size 40



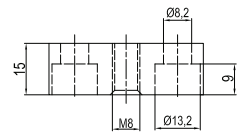
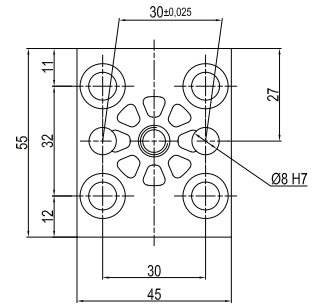
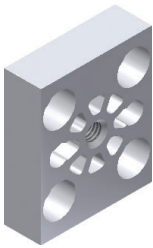
	Tightening torque	Screw
GR8SR40	25 Nm	M8
Material:	Aluminium	
Weight:	0,065 kg	

GR8SR40D Rear mount plate D for clamps size 40



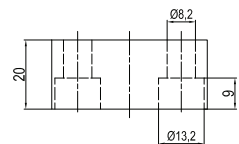
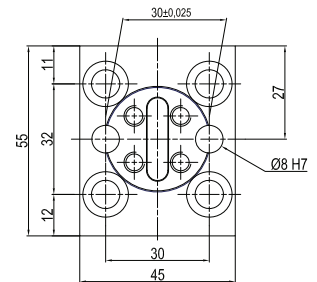
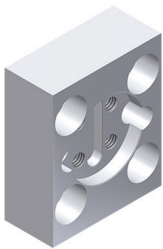
	Tightening torque	Screw
GR8SR40D	25 Nm	M8
Material:	Aluminium	
Weight:	0,079 kg	

GR8SR50 Rear mount plate for pin units size 50



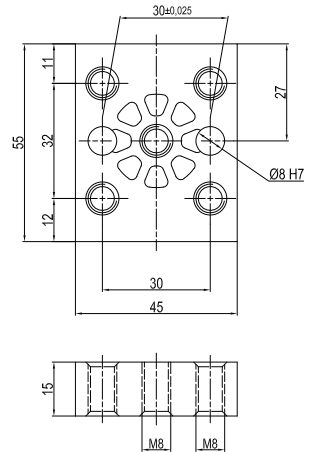
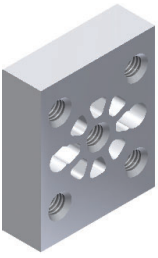
	Tightening torque	Screw
GR8SR50	25 Nm	M8
Material:	Aluminium	
Weight:	0,075 kg	

GR8SR50D Rear mount plate D for pin units size 50



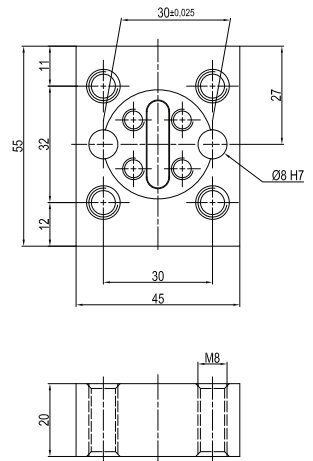
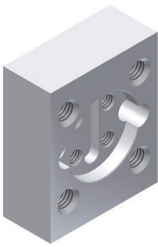
	Tightening torque	Screw
GR8SR50D	25 Nm	M8
Material:	Aluminium	
Weight:	0,096 kg	

GR8SR50M8 Rear mount plate with M8 threads for clamp size 50/63



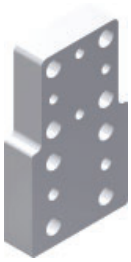
	Tightening torque	Screw
GR8SR50M8	25 Nm	M8
Material:	Aluminium	
Weight:	0,085 kg	

GR8SR50M8D Rear mount plate D with M8 threads for clamp size 50/63

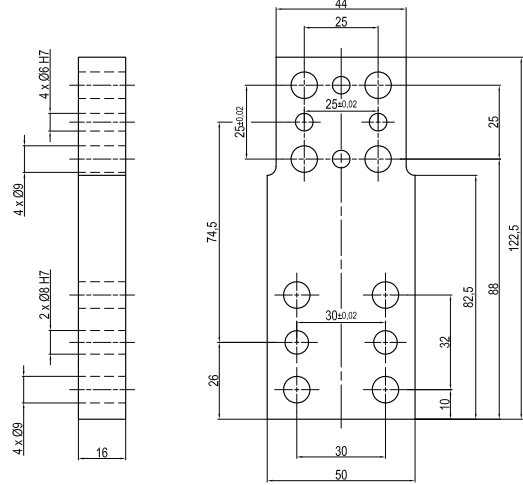


	Tightening torque	Screw
GR8SR50M8D	25 Nm	M8
Material:	Aluminium	
Weight:	0,107 kg	

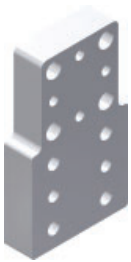
GR8SB4530 Rear mount plate



	Tightening torque	Screw
GR8SB4530	25 Nm	M8
Material:	Aluminium	
Weight:	0,168 kg	



GR8SB4530M8 Rear mount plate with M8 threads



	Tightening torque	Screw
GR8SB4530M8	25 Nm	M8
Material:	Aluminium	
Weight:	0,172 kg	

