

PM

Ø 32 ÷ 63 mm - Stainless steel pneumatic cylinders

- Stainless steel AISI 304
- Double acting versions
- Through piston rod versions
- Execution with or without magnet



TECHNICAL CHARACTERISTICS

Ambient temperature	0 ÷ 80 °C (-20°C with dry air)
Fluid	compressed air, filtered air, not lubricated
Working pressure	1 ÷ 10 bar
Bores	Ø 32 - 40 - 50 - 63 mm

CONSTRUCTIVE CHARACTERISTICS

End-caps	stainless steel AISI 304
Barrel	stainless steel AISI 304
Piston	aluminium
Guide slide	PBT+PTFE
Piston rod	stainless steel AISI 316
Piston seal	polyurethane
Guide bush for piston rod	sintered bronze
Shock absorber seals	neoprene
Magnet	plastroferrite
Nut	stainless steel AISI 304
O-Ring	nitrile rubber (NBR)

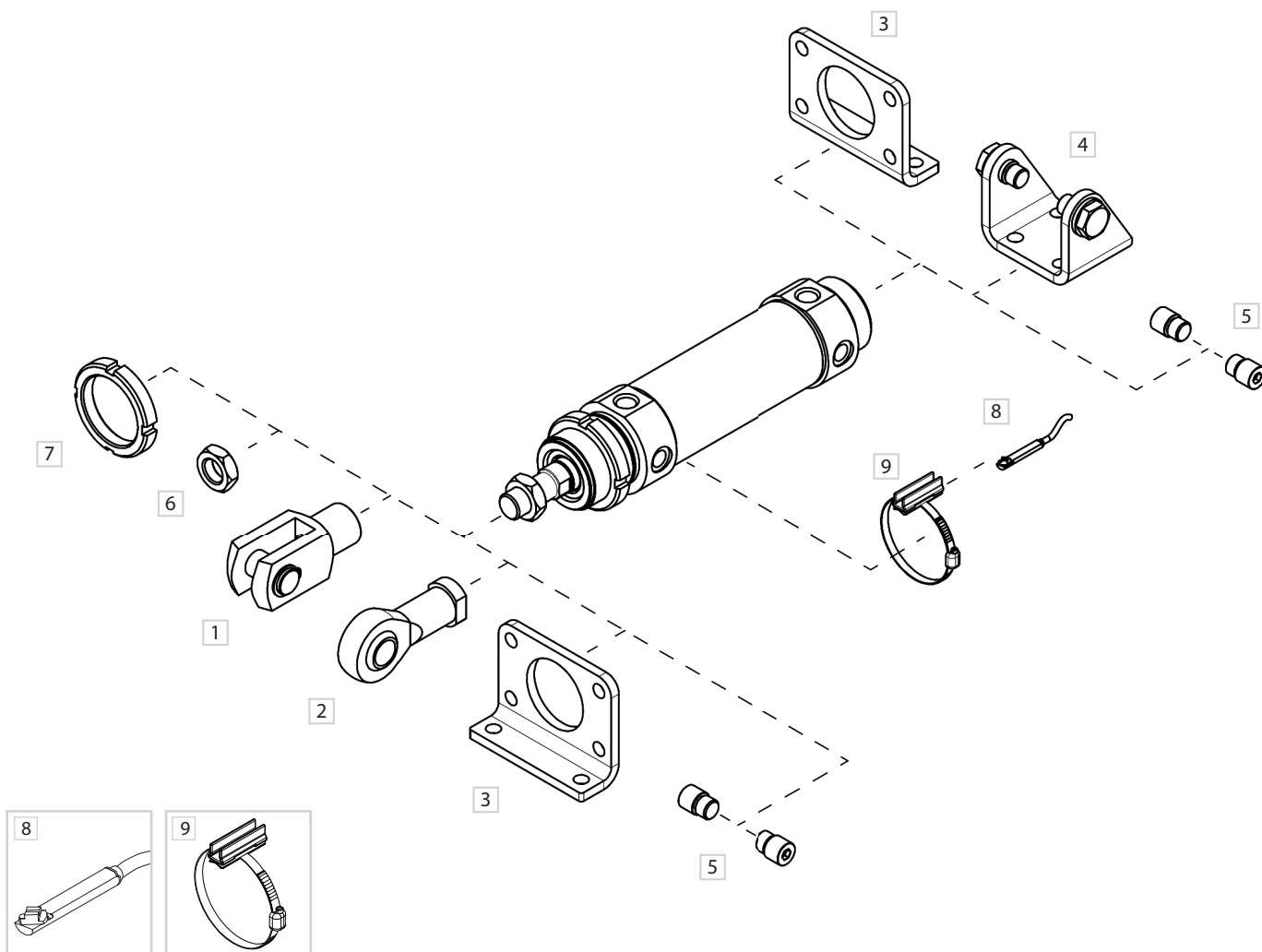
CODIFICATION KEY

P	M	3	0	0	0	3	2	0	0	5	0	M
1	2	3	4		5			6				

1 Series	2 Type	3 Version	4 Bore (mm)
PM = Ø 32 ÷ 63 mm Stainless steel pneumatic cylinders	3 = Male piston rod	00 = D.A. Standard 01 = D.A. Through piston rod D.A. = Double acting	032 = Ø32 040 = Ø40 050 = Ø50 063 = Ø63
5 Stroke (mm)	6 Magnetic		
0010 = 10 0160 = 160 0025 = 25 0200 = 200 0050 = 50 0250 = 250 0080 = 80 0320 = 320 0100 = 100 0400 = 400 0125 = 125 0500 = 500	M = Magnetic version (standard supplied)		

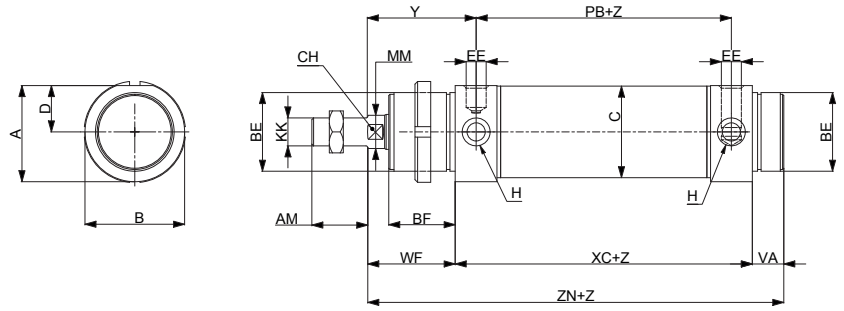
Version with high temperature seals (Max 150°C) available upon request.

Fixing elements and accessories



DESCRIPTION	NOTE	PART NO.
1 Female fork with pin	Stainless steel	MF/KF-15 __ _PI
2 Articulated self-lubricating fork	Stainless steel	MF/KF-17 __ _I
3 Angle bracket/Flange	Stainless steel	MF-13 __ _I
4 Female hinge with screws	Stainless steel	MF-21 __ _I
5 Pins (pair)	Stainless steel	MF-18 __ _I
6 Piston rod nut	Stainless steel	MF-16 __ _I
7 Nut	Stainless steel	MF-20 __ _I
8 DF sensor	-	DF-P700L06
9 DF bracket and adapter	Stainless steel	DH-P __ _DFI

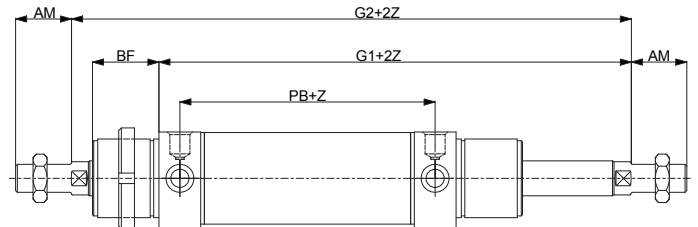
Double acting



PM300
D.A. Standard

Double acting through piston rod

PM301
D.A. Through piston rod

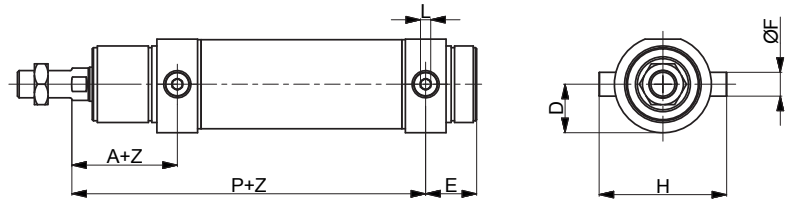


Z= Stroke

Ø	A	AM	ØB	BE	BF	C	CH	D	EE	H
32	36,5	20	38	M30x1,5	30	33,6	10	17,5	G1/8	M30x1,5
40	44	24	46	M38x1,5	35	41,6	13	21	G1/4	M38x1,5
50	55	32	57	M45x1,5	38	52,4	17	26,5	G1/4	M45x1,5
63	67,5	32	70	M45x1,5	38	65,4	17	32,5	G3/8	M45x1,5

Ø	KK	ØMM	PB	VA	WF	XC	Y	ZN	G1	G2
32	M10x1,25	12	78	14	38	96	47	148	134	172
40	M12x1,25	16	89	16	45	113	57	174	158	203
50	M16x1,5	20	96	18	50	120	62	188	170	220
63	M16x1,5	20	98	18	50	124	63	192	174	224

Pins



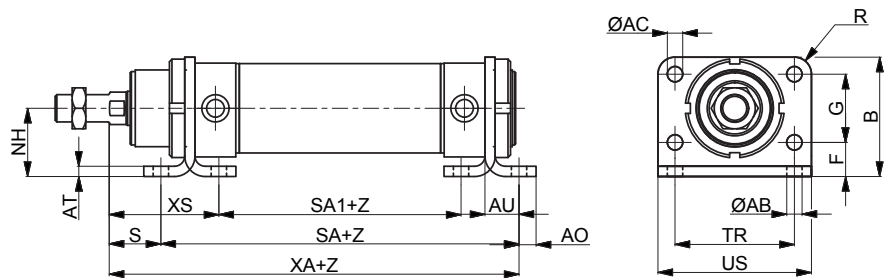
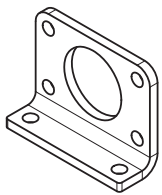
Material: Stainless steel AISI 304

Z = Stroke

Ø	A	P	E	L	D	H	ØF	Part no.
32	47	125	23	5	19	51	10	MF-18032I
40	57	146	28	6	23	61	12	MF-18040I
50	62	158	30	6	28,5	75	14	MF-18050I
63	63	161	31	8	35	92	16	MF-18063I

Angle bracket/Flange

1

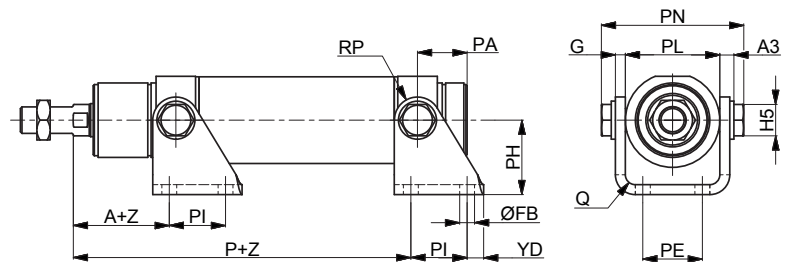
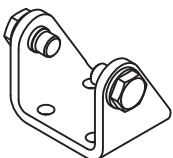


Material: Stainless steel AISI 304

Z = Stroke

Ø	NH	AT	XS	S	SA	SA1	XA	AU	AO	ØAC	R	US	TR	ØAB	F	G	B	Part no.
32	28	4	52	24	124	68	148	14	7	7	7	66	52	7	14	28	49	MF-13032I
40	33	5	65	25	153	73	178	20	10	9	10	80	60	9	18	30	58	MF-13040I
50	40	6	70	30	160	80	190	20	10	9	10	90	70	9	20	40	70	MF-13050I
63	45	6	70	30	164	84	194	20	10	9	10	96	76	9	20	50	80	MF-13063I

Female hinge with screws



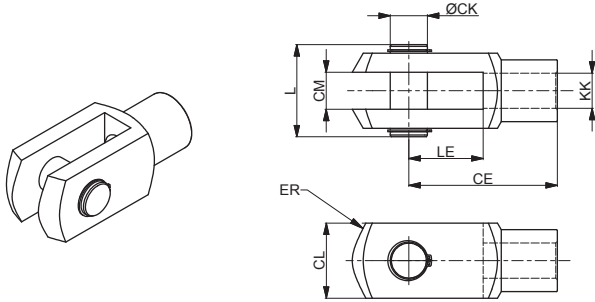
Including bolt and 2 circlips

Material: Stainless steel AISI 304

Z = Stroke

Ø	A	P	PI	ØFB	YD	PH	RP	PA	G	PN	PL	A3	H5	PE	Q	Part no.
32	45	120	24	7	8	35	12	20	4	54,1	38,1	6	13	20	4	MF-21032I
40	55	141	30	9	10	40	13	27	5	65,1	46,1	7	17	28	5	MF-21040I
50	59	152	34	9	10	45	14	30	6	80,1	57,1	8,5	19	36	6	MF-21050I
63	60	155	35	9	15	50	16	34	6	93,1	70,1	8,5	19	42	6	MF-21063I

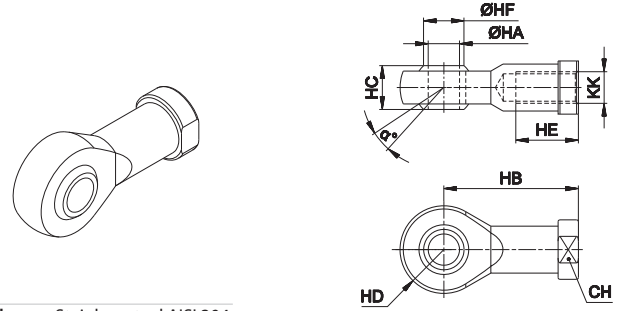
Female fork with pin



Material: Stainless steel AISI 304

Ø	CE	CK	CL	CM	ER	KK	L	LE	Part no.
32	40	10	20	10	16	M10x1,25	26	20	KF-15032PI
40	48	12	24	12	19	M12x1,25	32	24	KF-15040PI
50	64	16	32	16	25	M16x1,5	40	32	KF-15050PI
63									

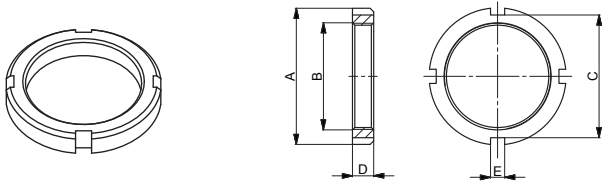
Articulated self-lubricating fork



Material: Stainless steel AISI 304

Ø	α°	CH	KK	HA	HB	HC	HD	HE	HF	Part no.
32	13	17	M10x1,25	10	43	14	14	20	12,9	KF-17032I
40	13	19	M12x1,25	12	50	16	16	22	15,4	KF-17040I
50	15	22	M16x1,5	16	64	21	21	28	19,3	KF-17050I
63										

Nut for end-cap



Material: Stainless steel AISI 304

Ø	A	B	C	D	E	Part no.
40	50	M38x1,5	46	8	5	MF-20040I
50	58	M45x1,5	52	9	6	MF-20050I
63	58	M45x1,5	52	9	6	MF-20063I

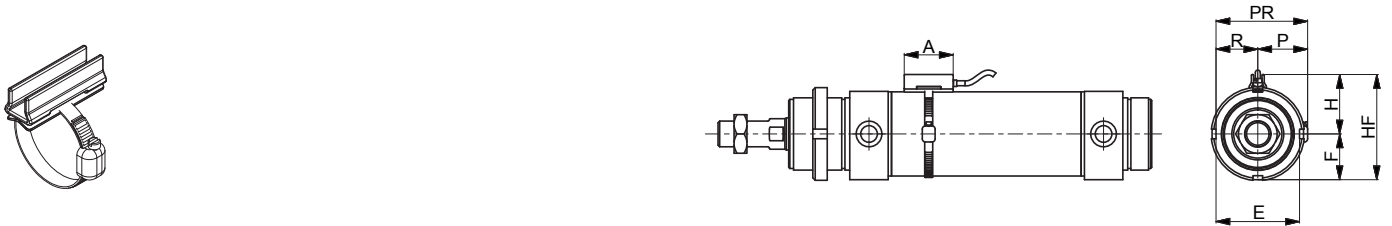
Piston rod nut



Material: Stainless steel AISI 304

Ø	KK	KV	KW	Part no.
40	M12x1,25	19	7	KF-16040I
50	M16x1,5	24	8	KF-16050I
63				

DF bracket



Material: Stainless steel AISI 303

Ø	A	E	F	H	HF	P	R	PR	Part no.
40	34	41,5	20,75	53	94,5	47	41,5	88,5	DH-P040DFI
50	34	51,5	25,75	63	114,5	57	51,5	108,5	DH-P050DFI
63	34	64,5	32,25	76	140,5	70	64,5	134,5	DH-P063DFI

For DF sensors see accessories section

DF sensor



1	2	Part no.
fixing eccentric	active sensing face	DF-P700L06

