

MP

Clamping cylinder

Clamping cylinders are the ideal solution for clamping pieces, mainly on cutting machines.

- Two versions available (short and long type)
- Single acting with front spring
- Non-rotating
- Easy construction
- Clean profile
- Possibility to supply special versions upon request
- Accessories: buffers, long and short brackets, blocking valve



TECHNICAL CHARACTERISTICS

Ambient temperature	Max. 60° C
Fluid	filtered air with or without lubrication
Working pressure	2 ÷ 10 bar
Bore	Ø 35 mm
Supply air ports	G 1/8
Fixing	with brackets
Version	single acting, front spring

CONSTRUCTIVE CHARACTERISTICS

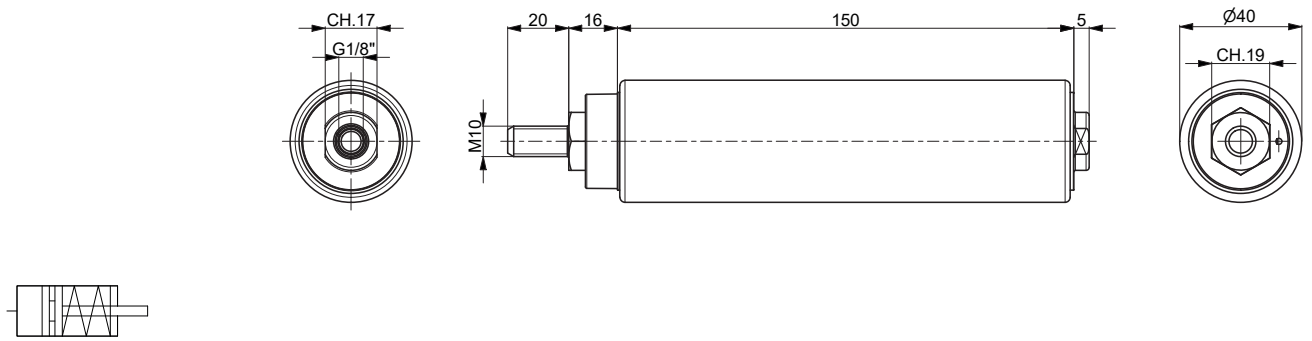
End-caps	technopolymer
Barrel	anodized aluminium
Piston rod	zinc-plated steel
Piston seals	NBR
Spring	steel

CODIFICATION KEY

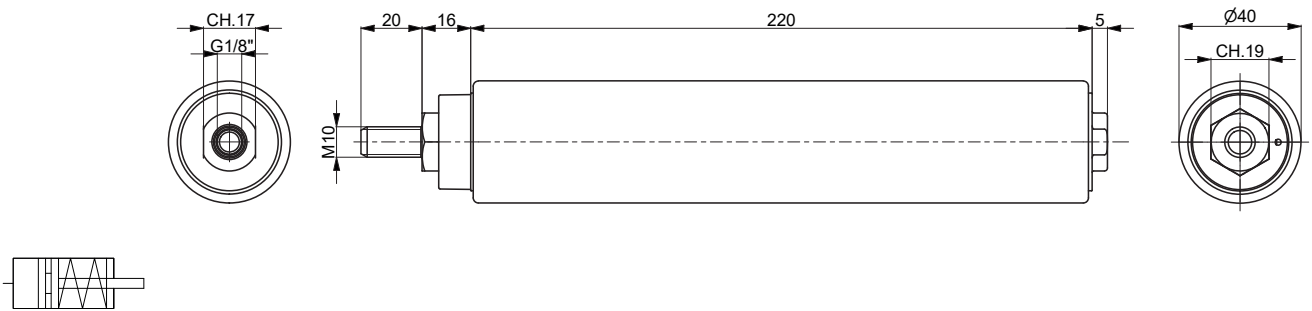
M	P	0	3	5	0	0	7	5	T
1	2	3			4				

1 Series	2 Bore (mm)	3 Stroke (mm)	4 Option
MP = Clamping cylinder	035 = Ø35 040 = Ø40 (upon request)	0075 = 75 0115 = 115 Other strokes available upon request	A = orange buffer N = black buffer T = transparent buffer _ = without buffer

Short type - Stroke 75 mm



Long type - Stroke 115 mm



1

For other bores and strokes please contact our Sales Department.

Buffer



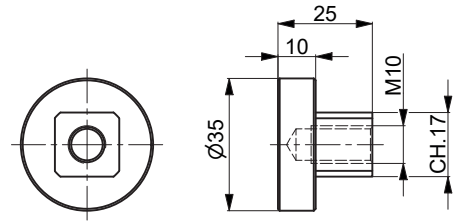
MPF-300035A
orange



MPF-300035N
black



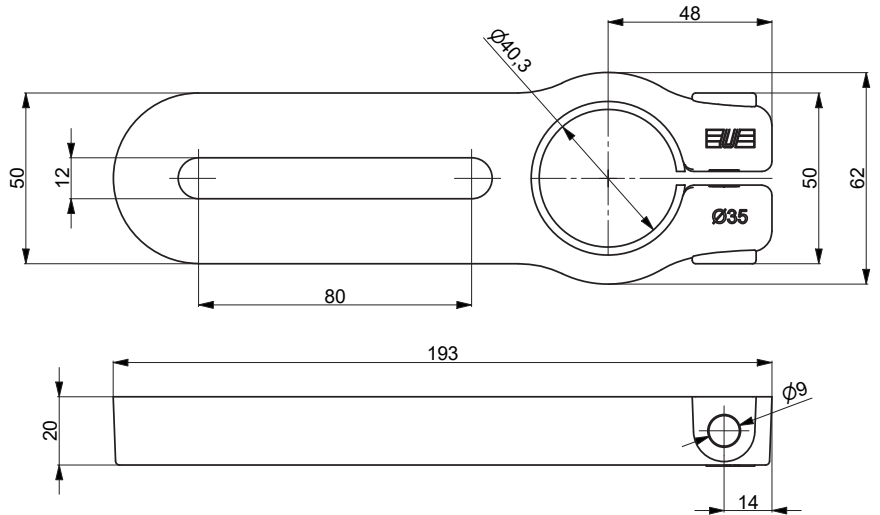
MPF-300035T
transparent



Short bracket



MPF-310035C



Long bracket



MPF-310035L

