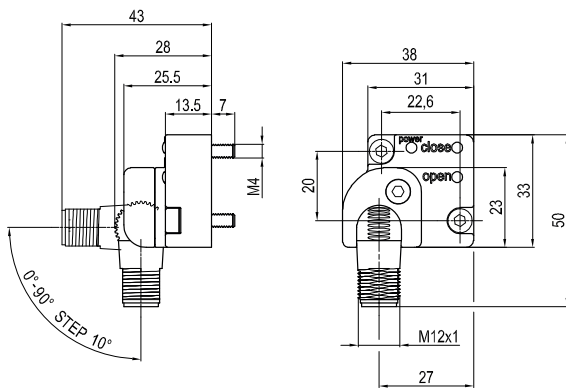


Sensor Update

Series:	DF-K
Product description:	Sensor mounted on UNICLAMP Power Clamps, Locating Pin Units, Power Pivots, Gripper Units, Pin Clamps, Marking Units, Manual Units.
Modification description:	The connector of the sensor can be regulated in two positions: 0° or 90°. No changes in dimensions.
Modification reason:	Product update.
Effective date:	The new version of the sensor replaces the old one immediately.

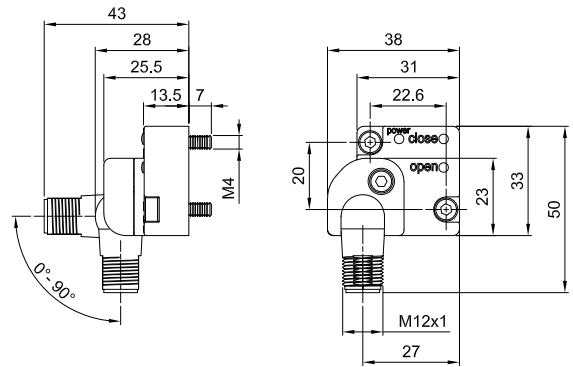
DISCONTINUED

DF-K with orientable connector 0°-90° in steps of 10°



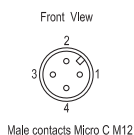
UPDATE

DF-K with orientable connector 0° or 90°



DF-K

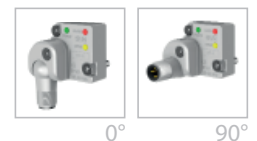
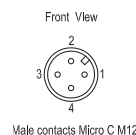
- Metal body IP67
- Fully optical
- Orientable connector M12



DF-K

UPDATE

- Metal body IP67
- Fully optical
- Orientable connector M12



For any further information do not hesitate to contact our Sales Department.

DF-K

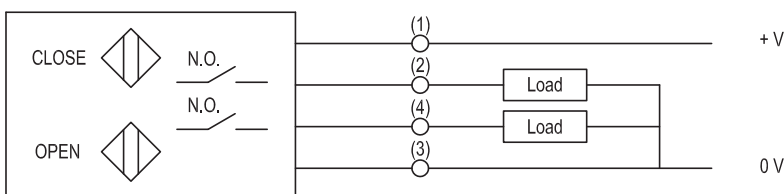
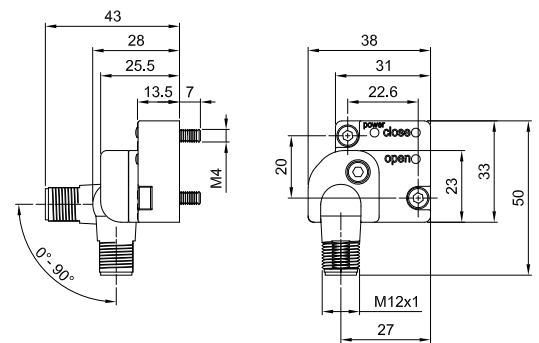
Electronic sensor (optic)



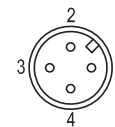
TECHNICAL CHARACTERISTICS

Supply voltage	10-30 V DC
Supply current without load	<25 mA
Rated operational current	30 mA
Voltage drop	<3,5 V DC
Output logic	PNP N.O.
Led-supply	green (power)
Led-closed	red (close)
Led-open	yellow (open)
Protection class	IP 67
Weight	64 gr
No reset	

Dimensions



Front view



Male contacts Micro C M12

Change of the sensor

Unscrew the screws on the sensor base and replace the sensor

Connector orientation

- Unscrew the screw of the connector
- Rotate the connector (0° or 90°)
- Tighten the screw

