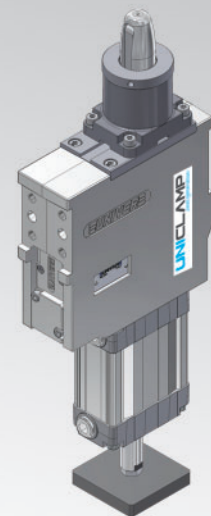
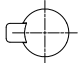
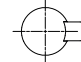


USSL50

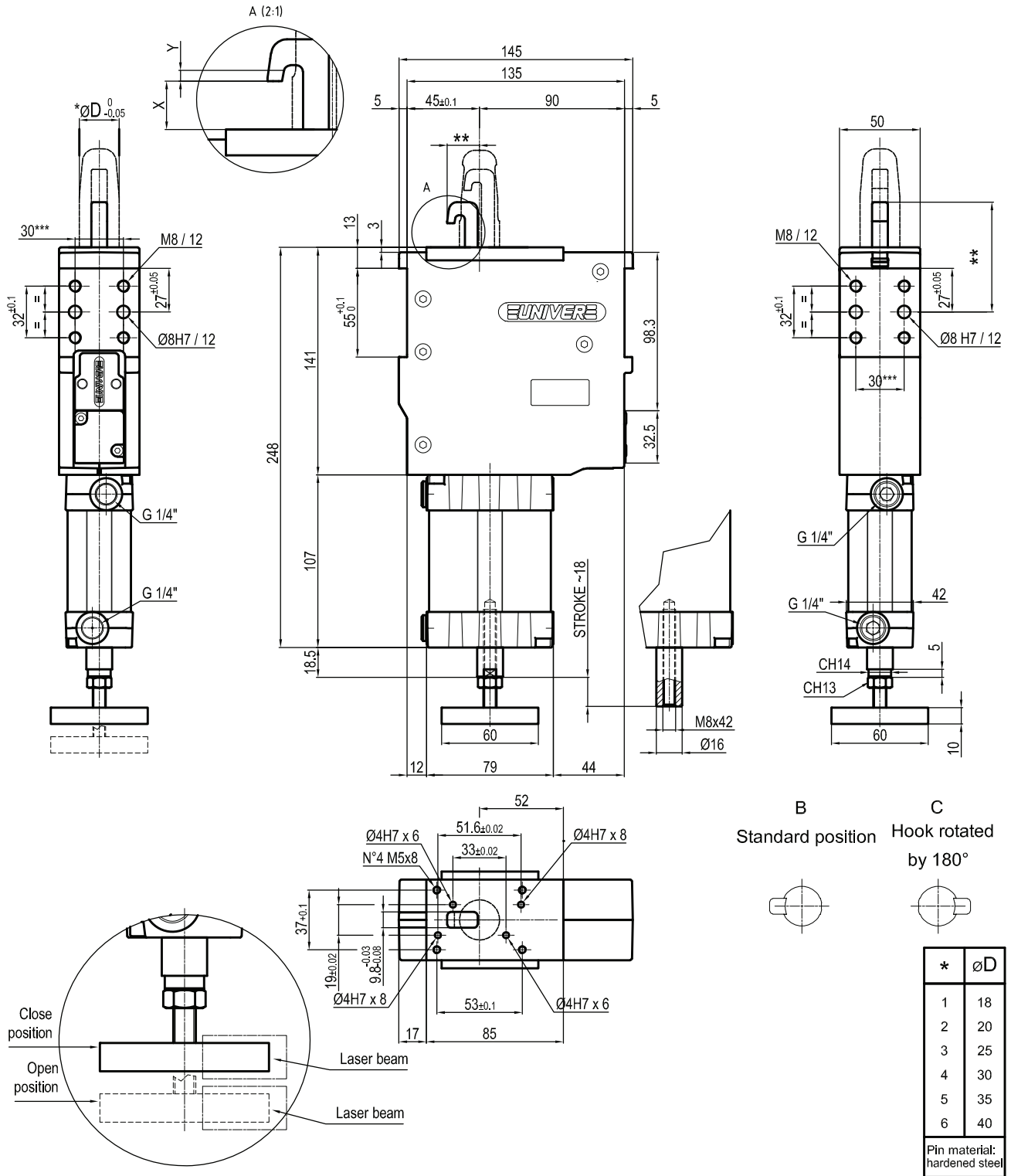
UNICLAMP Pneumatic pin clamp for laser beam applications, orientable hook



U	S	SL	5	0	J	B	0	1	-	-	-	K	0
1	2	3	4	5	6	7	8	9	10				

1 Series US = UNICLAMP pin clamp, with compensation	2 Version SL = Pneumatic for laser beam applications, orientable hook	3 Size 50 = Ø 50 mm
4 Model J = Standard R = Locking/unlocking device	5 Hook position B = Standard position  R = Rotated by 180° 	6 Rod orientation 1 <= Ø 18 mm 2 = Ø 20 mm 3 = Ø 25 mm 4 = Ø 30 mm 5 = Ø 35 mm 6 = Ø 40 mm For pin Ø outside the mentioned range, please contact our Sales Dept.
7 Locatin pin 0 = Locating pin not included 1 = Locating pin included	8 Progressive numbering Progressive numbers for special products are assigned by the Sales. Dept.	9 Sensor N = No sensor (with protection plate)
10 Product revision Assigned by UNIVER		

USSL50J__0__NO



Bore \varnothing	Clamping force	Weight (reference plate, pin and hook not included)
50 mm	3500 N	3,1 Kg

Min./Max. operating pressure: **0,4 / 0,6 MPa**
 Operating temperature: **5° ÷ 45° C**
 IP code: **IP 65**

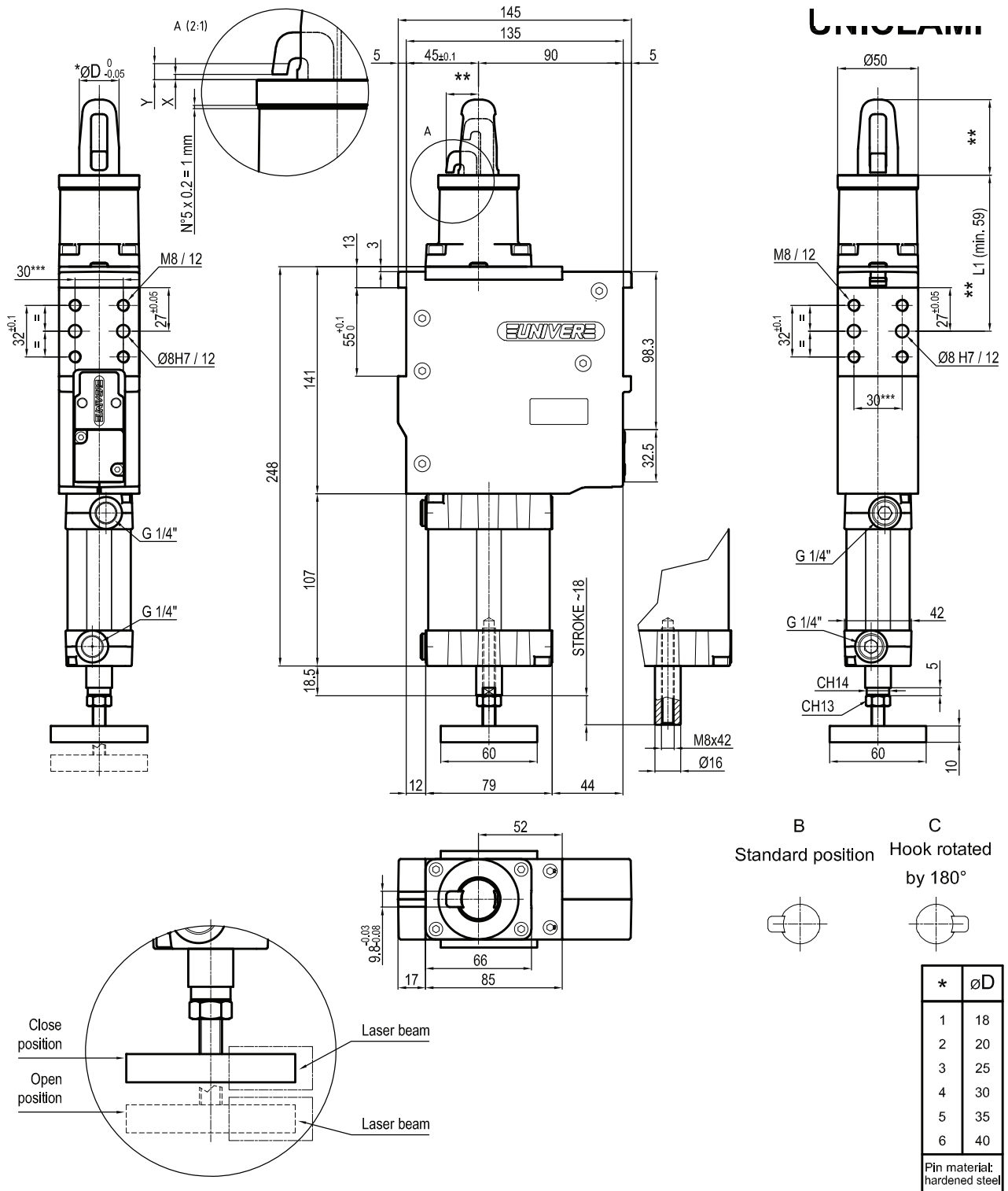
**: MISSING DIMENSION TO BE DEFINED ACCORDING TO CUSTOMER SPECIFICATIONS
 ***: TOLERANCE BETWEEN DOWEL HOLES $\pm 0,02$, BETWEEN SCREW HOLES $\pm 0,1$

X= metal sheet

Y = clamping range (X + 2,3 mm Max)

Subject to technical modifications without notice

USSL50J__1__N0



Bore \varnothing	Clamping force	Weight (reference plate, pin and hook not included)
50 mm	3500 N	3,1 Kg

Min./Max. operating pressure: **0,4 / 0,6 MPa**
 Operating temperature: **5° ÷ 45° C**
 IP code: **IP 65**

**: MISSING DIMENSION TO BE DEFINED ACCORDING TO CUSTOMER SPECIFICATIONS
 ***: TOLERANCE BETWEEN DOWEL HOLES $\pm 0,02$, BETWEEN SCREW HOLES $\pm 0,1$

X = metal sheet
Y = clamping range (X + 2,3 mm Max)

Subject to technical modifications without notice