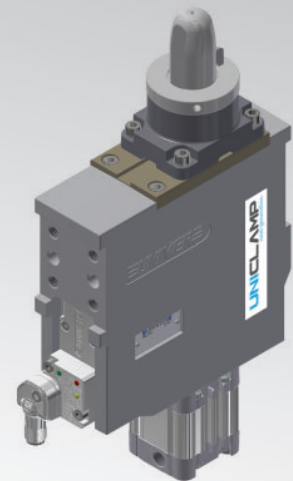


USP32

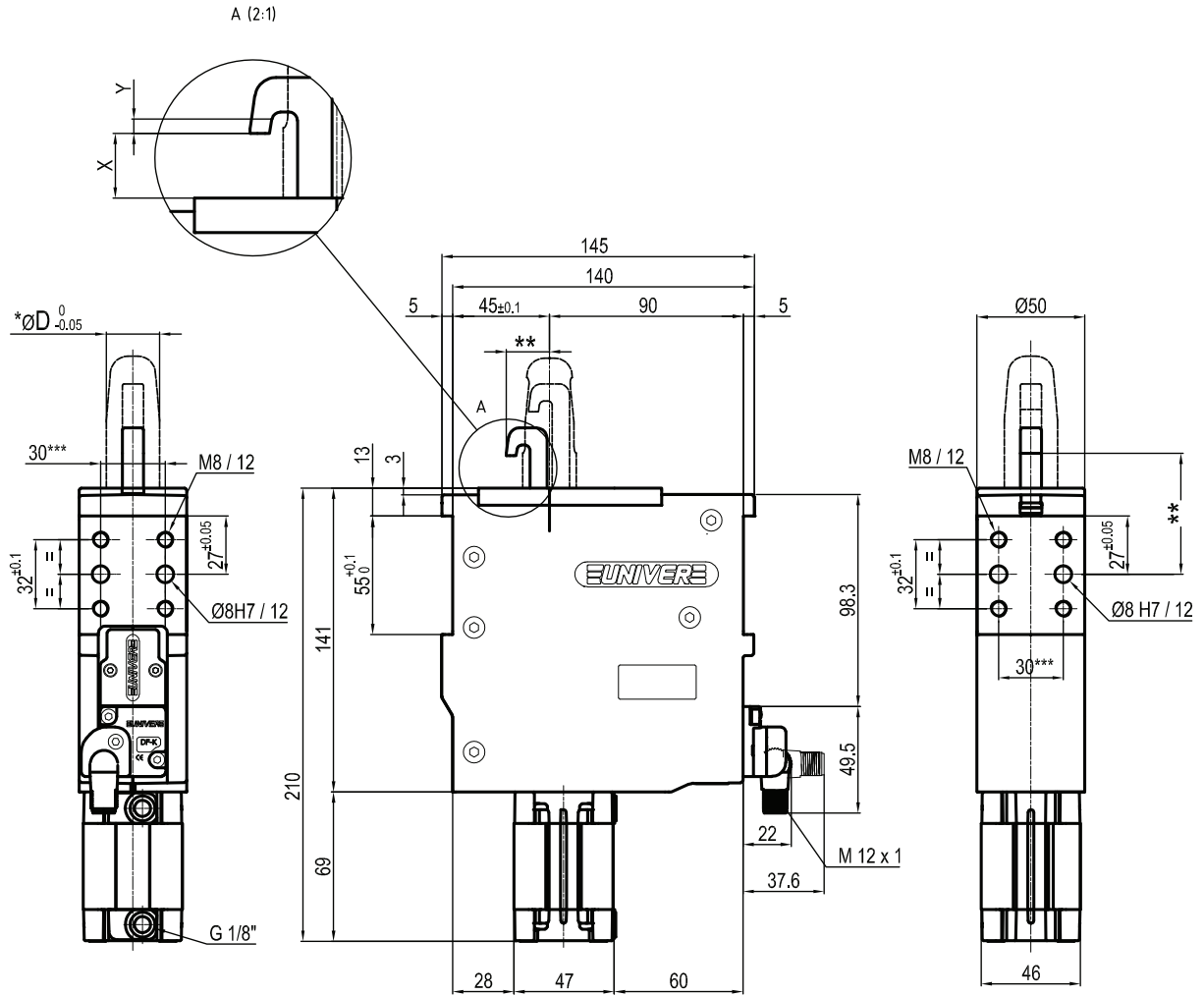
UNICLAMP Pneumatic pin clamp



| | | | | | | | | | | | | |
|---|---|---|---|---|---|---|---|---|---|---|---|---|
| U | S | P | 3 | 2 | J | 3 | 1 | - | - | - | K | 0 |
| 1 | 2 | 3 | 4 | 5 | 6 | 7 | 8 | 9 | | | | |

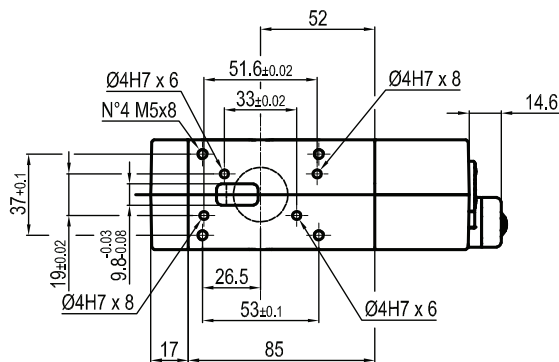
| | | |
|--|---|--|
| 1 Series | 2 Version | 3 Size |
| US = UNICLAMP Pin clamp, with compensation | P = Pneumatic | 32 = Ø 32 mm |
| 4 Model | 5 Pin diameter | 6 Locating pin |
| J = Standard R = Locking/unlocking device | 1 <= Ø 19 mm 2 = Ø 20 mm 3 = Ø 25 mm 4 = Ø 30 mm 5 = Ø 35 mm 6 = Ø 40 mm For pin Ø outside the mentioned range please contact our Sales Dept. | 0 = Locating pin not included 1 = Locating pin included |
| 7 Progressive numbering | 8 Sensor | 9 Product revision |
| Progressive numbers for special products are assigned by the Sales Dept. | K = Electronic sensor PNP (optical) (DF-K) N = No sensor (with protection plate) | Assigned by UNIVER |

USP32J_0_ _ _ K0



| * | ØD |
|---|----|
| 1 | 18 |
| 2 | 20 |
| 3 | 25 |
| 4 | 30 |
| 5 | 35 |
| 6 | 40 |

Pin material:
hardened steel



| Bore Ø | Clamping force | Weight (reference plate, pin and hook not included) |
|--------|----------------|---|
| 32 mm | 1500 N | 2,6 Kg |

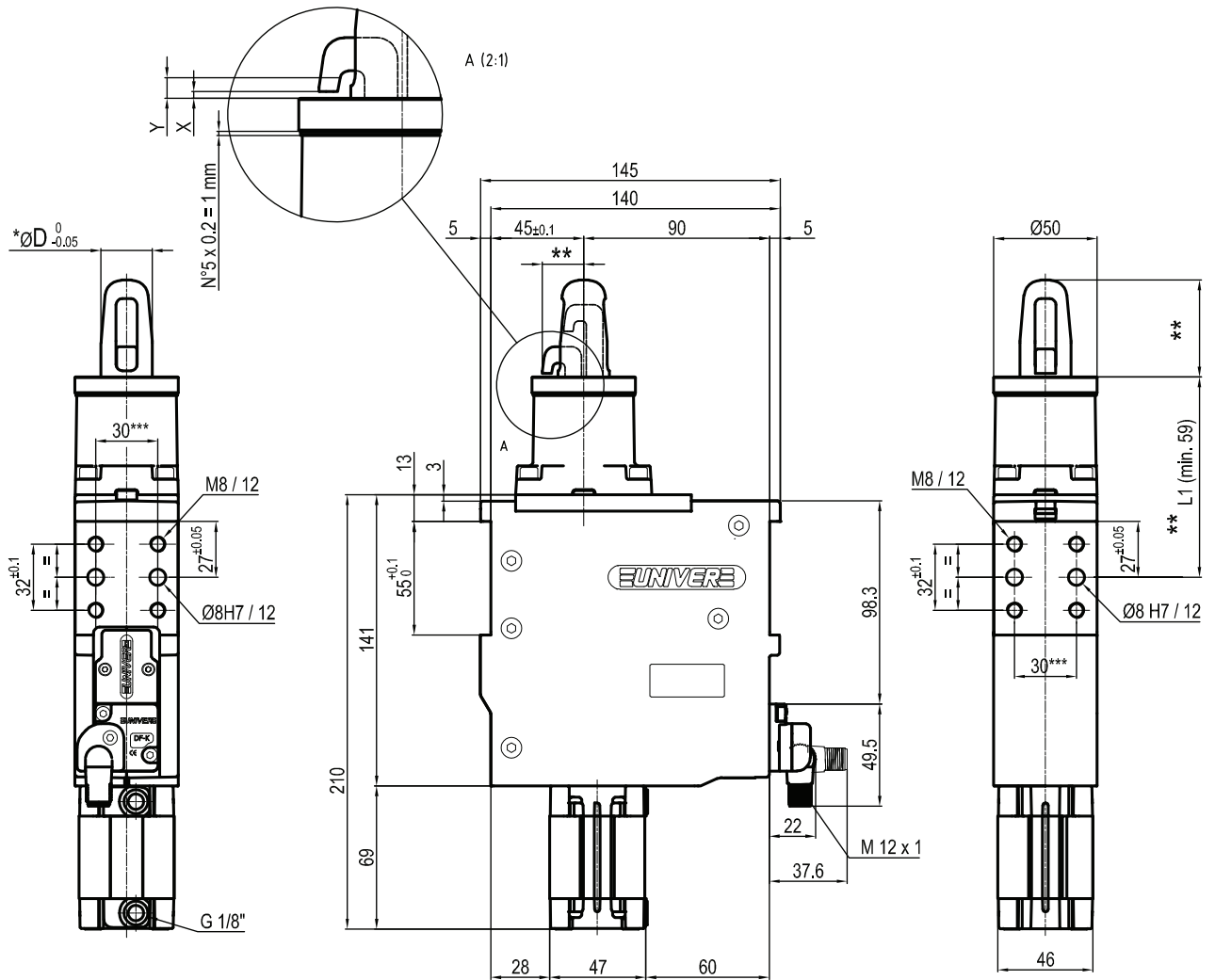
Min./Max. operating pressure: **0,4 / 0,6 MPa**
 Operating temperature: **5° ÷ 45° C**
 Electronic sensor with M12 swivel connector,
 from 0° to 90°, in steps of 10°
 Supply voltage: 10 ÷ 30 Vdc
 IP code: **IP 65**

** : MISSING DIMENSION TO BE DEFINED ACCORDING TO CUSTOMER SPECIFICATIONS
 *** : TOLERANCE BETWEEN DOWEL HOLES ± 0,02, BETWEEN SCREW HOLES ± 0,1

X= metal sheet
Y = clamping range (X + 1,2 mm Max)

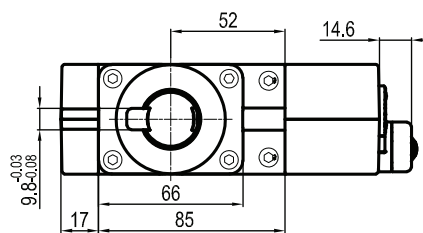
Subject to technical modifications without notice

USP32J_1___K0



| * | øD |
|---|----|
| 1 | 18 |
| 2 | 20 |
| 3 | 25 |
| 4 | 30 |
| 5 | 35 |
| 6 | 40 |

Pin material:
hardened steel



| Bore ø | Clamping force | Weight (reference plate, pin and hook not included) |
|-----------|-------------------|---|
| 32 mm | 1500 N | 2,6 Kg |

Min./Max. operating pressure: **0,4 / 0,6 MPa**
 Operating temperature: **5° ÷ 45° C**
 Electronic sensor with M12 swivel connector,
 from 0° to 90°, in steps of 10°
 Supply voltage: 10 ÷ 30 Vdc
 IP code: **IP 65**

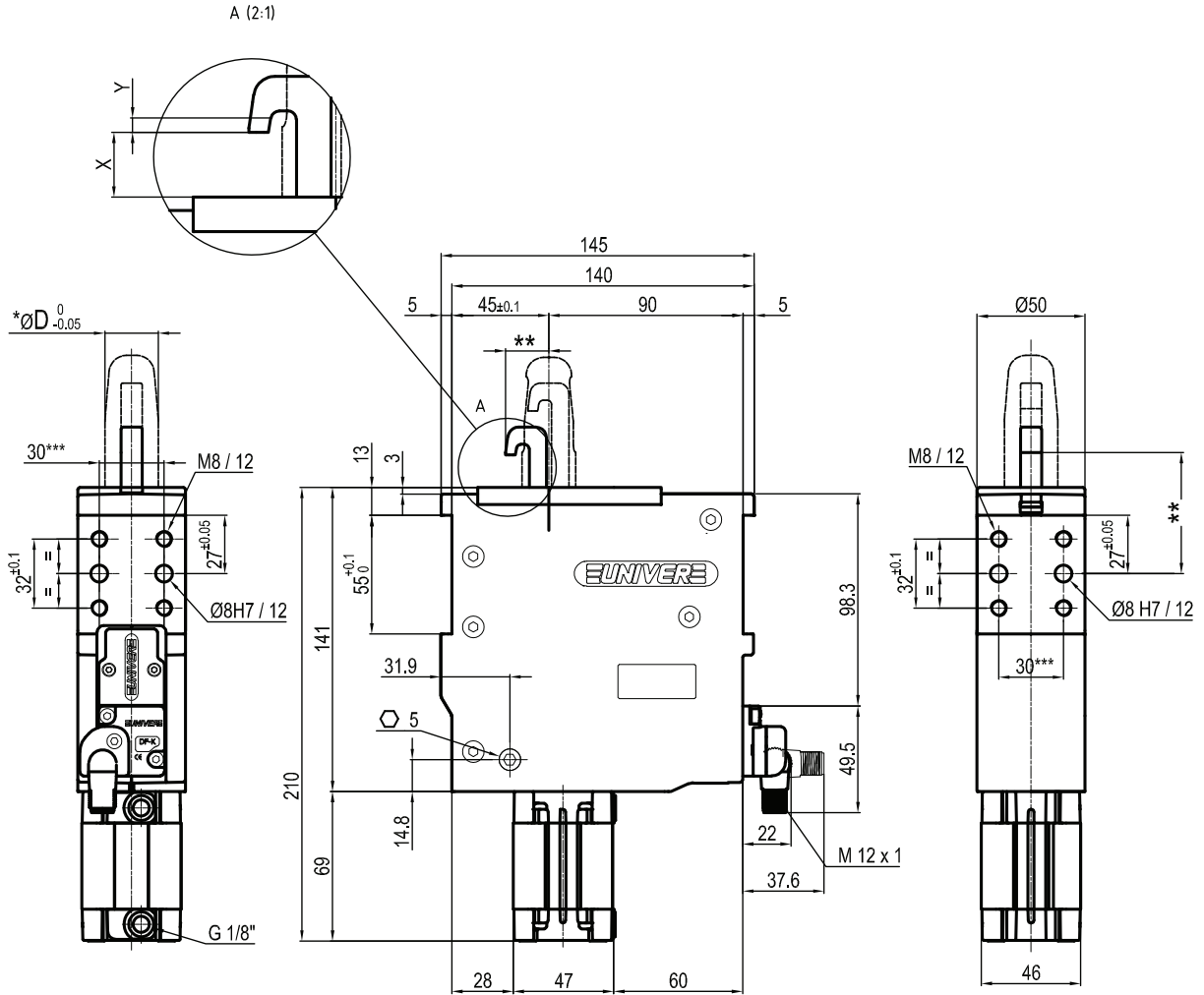
** : MISSING DIMENSION TO BE DEFINED ACCORDING TO CUSTOMER SPECIFICATIONS
 *** : TOLERANCE BETWEEN DOWEL HOLES ± 0,02, BETWEEN SCREW HOLES ± 0,1

X = metal sheet

Y = clamping range (X + 1,2 mm Max)

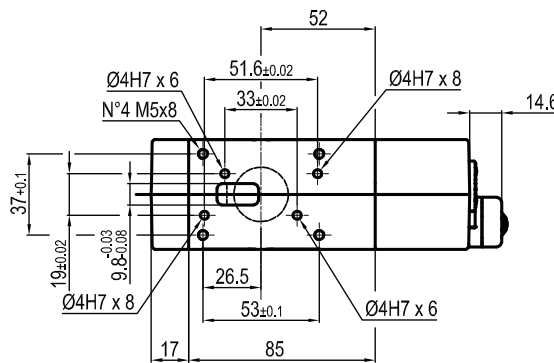
Subject to technical modifications without notice

USP32R_0___K0



| * | ∅D |
|---|----|
| 1 | 18 |
| 2 | 20 |
| 3 | 25 |
| 4 | 30 |
| 5 | 35 |
| 6 | 40 |

Pin material:
hardened steel



| Bore ∅ | Clamping force | Weight (reference plate, pin and hook not included) |
|--------|----------------|---|
| 32 mm | 1500 N | 2,9 Kg |

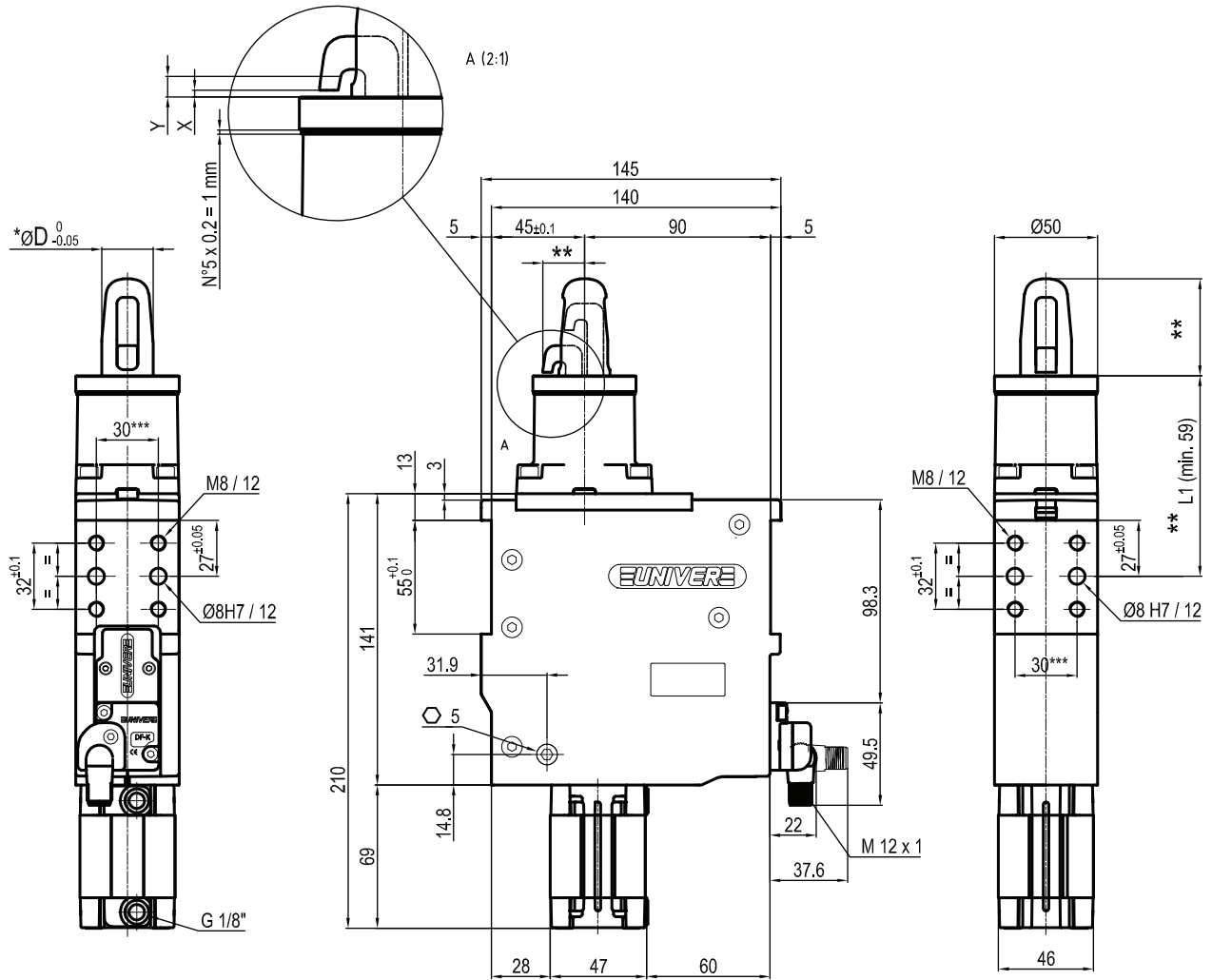
Min./Max. operating pressure: **0,4 / 0,6 MPa**
 Operating temperature: **5° ÷ 45° C**
 Electronic sensor with M12 swivel connector,
 from 0° to 90°, in steps of 10°
 Supply voltage: 10 ÷ 30 Vdc
 IP code: **IP 65**

** : MISSING DIMENSION TO BE DEFINED ACCORDING TO CUSTOMER SPECIFICATIONS
 *** : TOLERANCE BETWEEN DOWEL HOLES ± 0,02, BETWEEN SCREW HOLES ± 0,1

X= metal sheet
Y = clamping range (X + 1,2 mm Max)

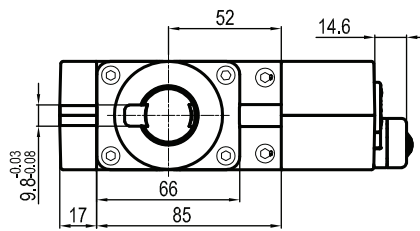
Subject to technical modifications without notice

USP32R_1___K0



| * | ∅D |
|---|----|
| 1 | 18 |
| 2 | 20 |
| 3 | 25 |
| 4 | 30 |
| 5 | 35 |
| 6 | 40 |

Pin material:
hardened steel



| Bore ∅ | Clamping force | Weight (reference plate, pin and hook not included) |
|--------|----------------|---|
| 32 mm | 1500 N | 2,9 Kg |

Min./Max. operating pressure: **0,4 / 0,6 MPa**
 Operating temperature: **5° ÷ 45° C**
 Electronic sensor with M12 swivel connector,
 from 0° to 90°, in steps of 10°
 Supply voltage: 10 ÷ 30 Vdc
 IP code: **IP 65**

** : MISSING DIMENSION TO BE DEFINED ACCORDING TO CUSTOMER SPECIFICATIONS
 *** : TOLERANCE BETWEEN DOWEL HOLES ± 0,02, BETWEEN SCREW HOLES ± 0,1

X = metal sheet
Y = clamping range (X + 1,2 mm Max)

Subject to technical modifications without notice