

USL50

UNICLAMP Manual pin clamp



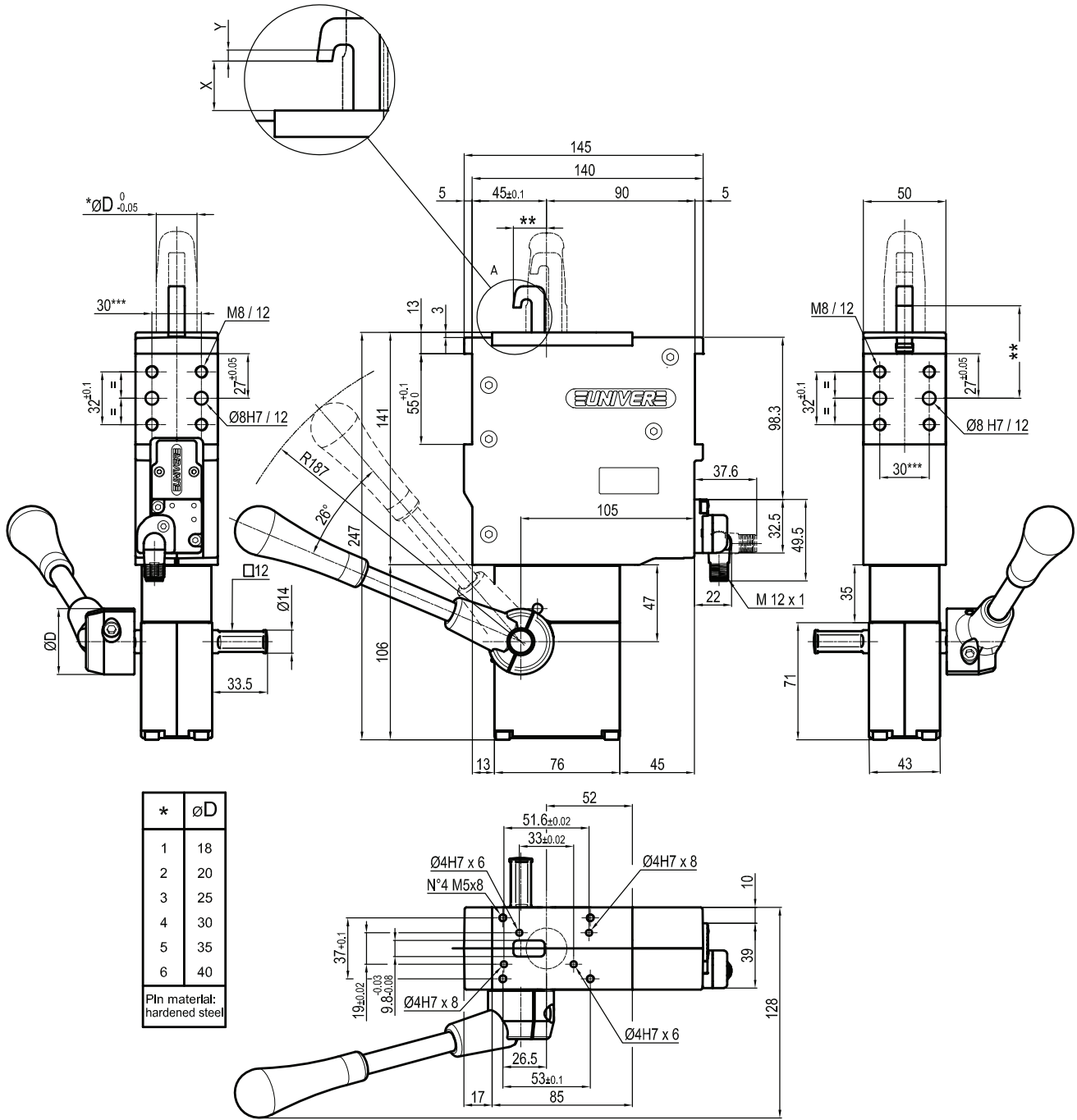
U	S	L	5	0	J	3	0	-	-	-	K	0
1	2	3	4	5	6	7			8	9		

1 Series	2 Version	3 Size
US = UNICLAMP Pin clamp	L = Manual, with hand lever	50

4 Version	5 Pin diameter	6 Locating pin
J = Standard compensation	1 <= Ø 18 mm 2 = Ø 20 mm 3 = Ø 25 mm 4 = Ø 30 mm 5 = Ø 35 mm 6 = Ø 40 mm For pin Ø outside the mentioned range please contact our sales department.	0 = Locating pin non included 1 = Locating pin included

7 Progressive numbering	8 Sensor	9 Product revision
Progressive numbers for special products are assigned by the Sales Dept.	N = No sensor (with protection plate) K = Electronic sensor PNP (optical) (DF-K)	Assigned by Univer

USL50J_0_ _ _ K0



*	ØD
1	18
2	20
3	25
4	30
5	35
6	40

Pin material:
hardened steel

Size	Clamping force	Weight with hand lever (reference plate, pin and hook not included)
50	3500 N	3,6 Kg

Operating temperature: 5° ÷ 45° C
 With manual lever
 Electronic sensor with M12 swivel connector, from 0° to 90°, in steps of 10°
 Supply voltage: 10 ÷ 30 Vdc
 IP code: IP 65

** : MISSING DIMENSION TO BE DEFINED ACCORDING TO CUSTOMER SPECIFICATIONS
 *** : TOLERANCE BETWEEN DOWELS ± 0,02, BETWEEN SCREW HOLES ± 0,1

X= metal sheet
 Y = clamping range (X + 2,3 mm Max)

Subject to technical modifications without notice

Rev. 00 08.09.20

