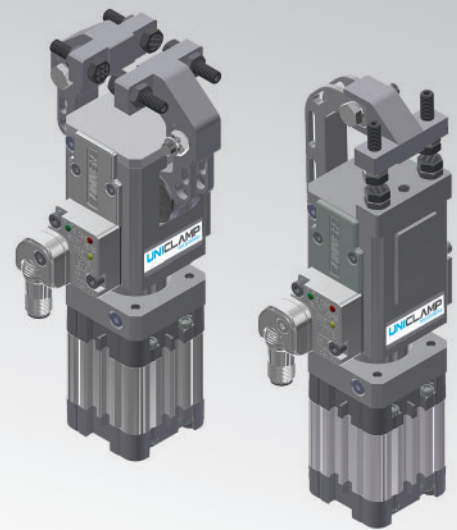


UGPS

UNICLAMP Pneumatic Gripper



U	G	P	S	3	2	D	1	A	K	R	3	0
1	2	3	4	5	6	7	8	9				

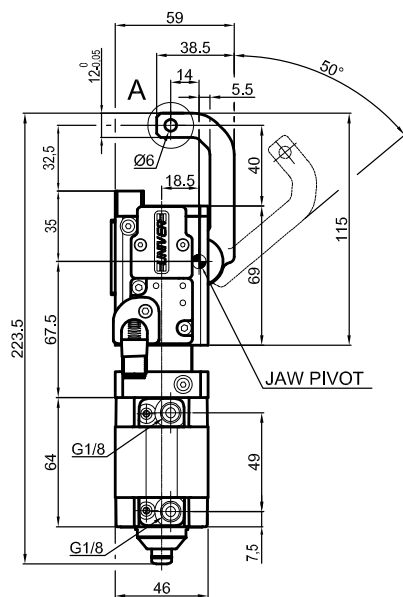
1 Series	2 Arm Material	3 Cylinder size
UGP = UNICLAMP Pneumatic gripper, adjustable opening angle	S = steel (standard)	32 = 32 mm 40 = 40 mm

4 Arm	5 Tips	6 Sensor
<p>S0 = Single arm, without jaw ends</p> <p>S1 = Single arm, jaw ends preset for 1 pair of tips</p> <p>S2 = Single arm, jaw ends preset for 2 pairs of tips</p> <p>D0 = Double arms, without jaw ends</p> <p>D1 = Double arms, jaw ends preset for 1 pair of tips</p> <p>D2 = Double arms, jaw ends preset for 2 pairs of tips</p>	<p>0 = No tips</p> <p>A = Knurled tips</p> <p>B = Self-adjusting knurled tips</p> <p>C = Flat tips</p> <p>D = Concave-convex tips (1+1)</p> <p>E = Self-adjusting flat tips</p>	<p>N = No sensor (with protection plate)</p> <p>K = Electronic sensor PNP (optical) (DF-K)</p> <p>J = Electronic sensor NPN (optical) (DF-J)</p> <p>Y = Electronic sensor PNP (optical) (DF-Y) white led</p>

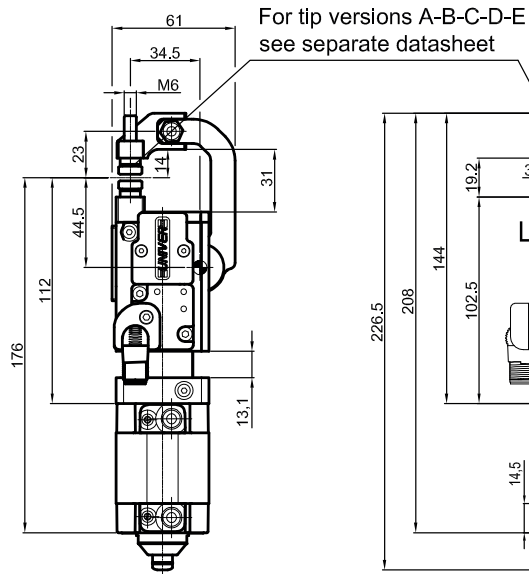
7 Sensor mounting side	8 Mounts
<p>N = No sensor</p> <p>R = Right (ports side)</p> <p>L = Left</p>	<p>0 = No mount</p> <p>1 = Middle flange mount (Ø32 LGP32MP, Ø40 LGP40MP)</p> <p>2 = 360° Orbital mount, ball Ø25 (Ø32 LGP32MO25, Ø40 LGP40MO25)</p> <p>3 = 360° Orbital mount, ball Ø30 (Ø32 LGP32MO30, Ø40 LGP40MO30)</p> <p>4 = 360° Orbital mount, ball Ø40 (Ø40 LGP40MO40)</p> <p>5 = 360° Orbital mount, ball Ø45 (Ø40 LGP40MO45)</p> <p>6 = Rear flange mount (Ø32 LGP32PT070, Ø40 LGP40PT080)</p> <p>7 = Large rear flange mount (Ø40 LGP40PT110)</p>

9 Product revision
Assigned by UNIVER

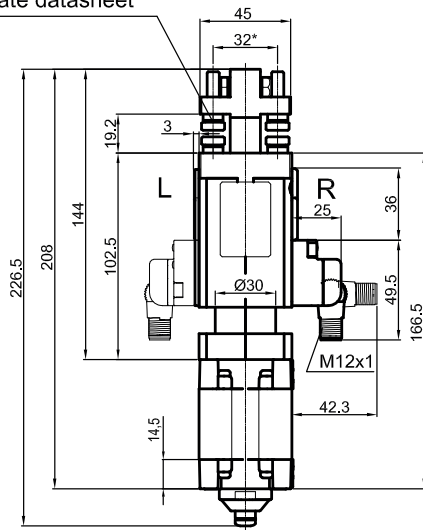
UGPS32S__K_10



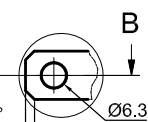
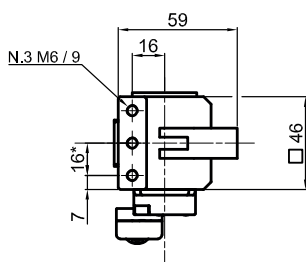
UGPS32S00K_0



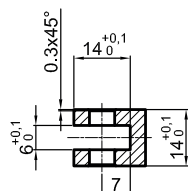
UGPS32S1_K_0



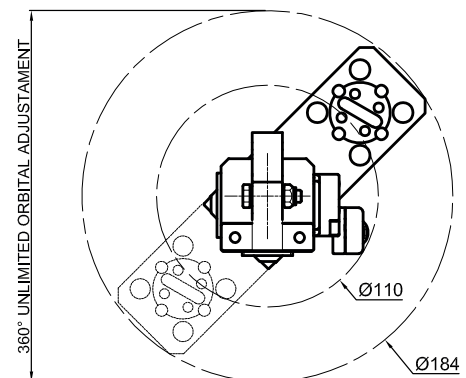
UGPS32S2_K_0



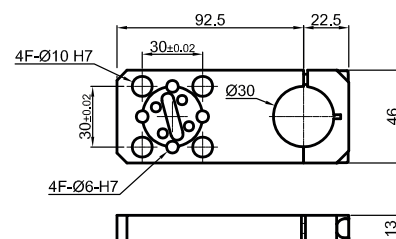
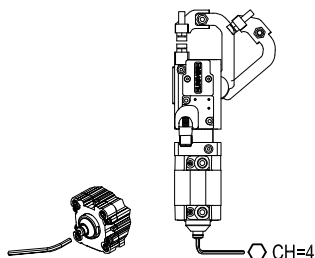
A (2 : 1)



B-B (2 : 1)



UGPS32S2_K_1



LGP32MP

Bore Ø	Holding moment	Clamping force at 5 bar	Weight	Mount weight
32 mm	150 Nm	600 N	0,95 Kg	0,16 Kg

 Min./Max. operating pressure: **0,4 / 0,6 MPa**

 Operating temperature: **5° ± 45° C**

 Opening angle: **adjustable from 10° to 50°**

Electronic sensor with M12 swivel connector, from 0° to 90°, in steps of 10°

Supply voltage: 10 ÷ 30 Vdc

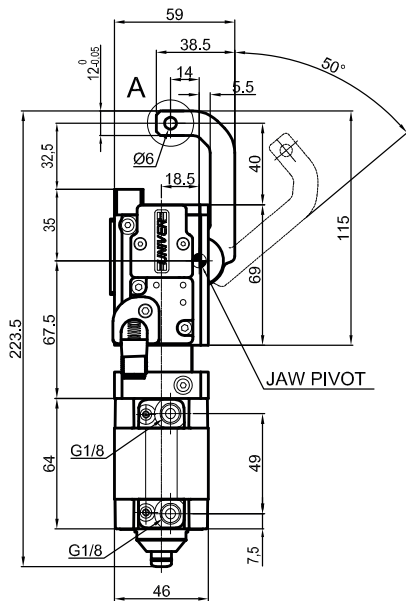
 IP code: **IP 65**

*: TOLERANCE BETWEEN DOWELS ± 0,02, BETWEEN SCREW HOLES ± 0,1

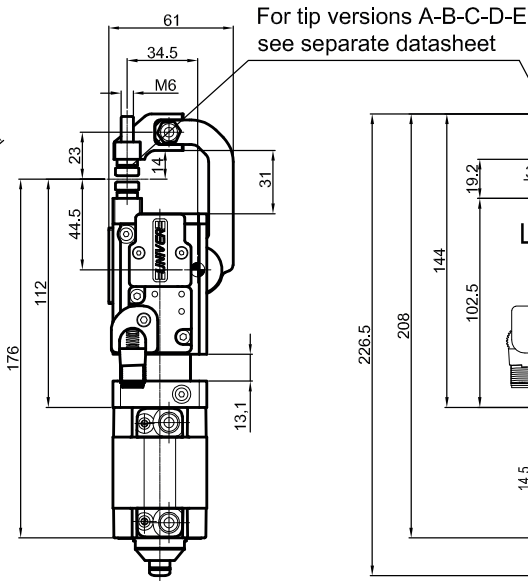
Subject to technical modifications without notice

Rev. 01 02.11.21

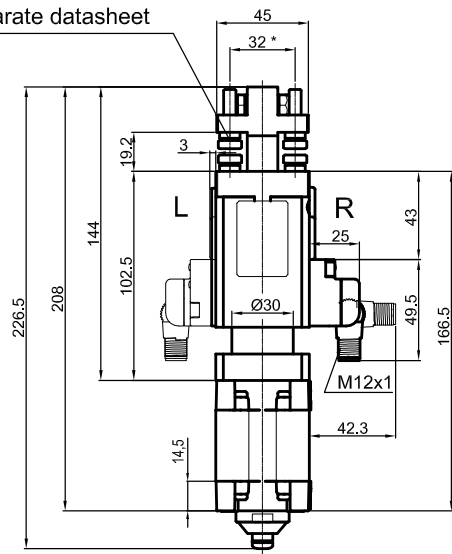
UGPS32S__K_20



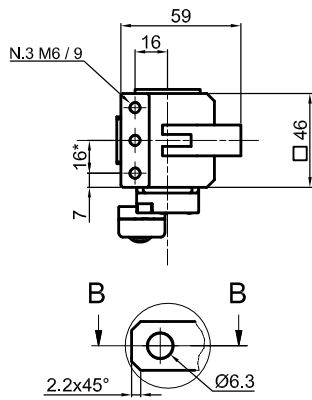
UGPS32S00K_0



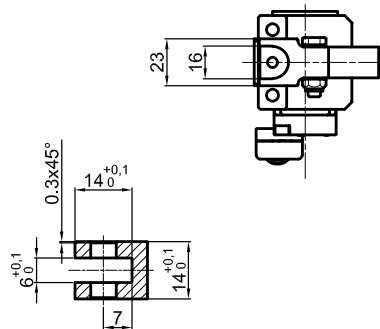
UGPS32S1_K_0



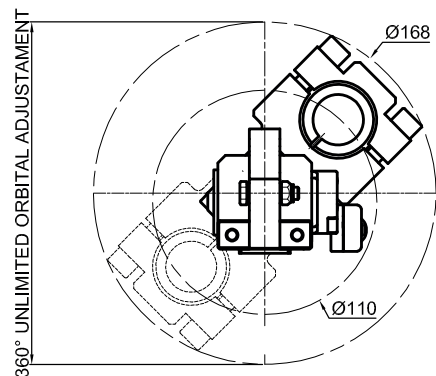
UGPS32S2_K_0



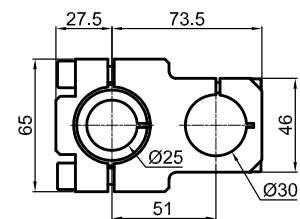
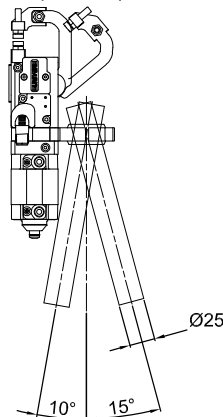
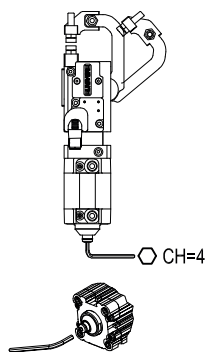
A (2:1)



B-B (2:1)



UGPS32S2_K_2



LGP32MO25

Bore Ø	Holding moment	Clamping force at 5 bar	Weight	Mount weight
32 mm	150 Nm	600 N	0,95 Kg	0,19 Kg

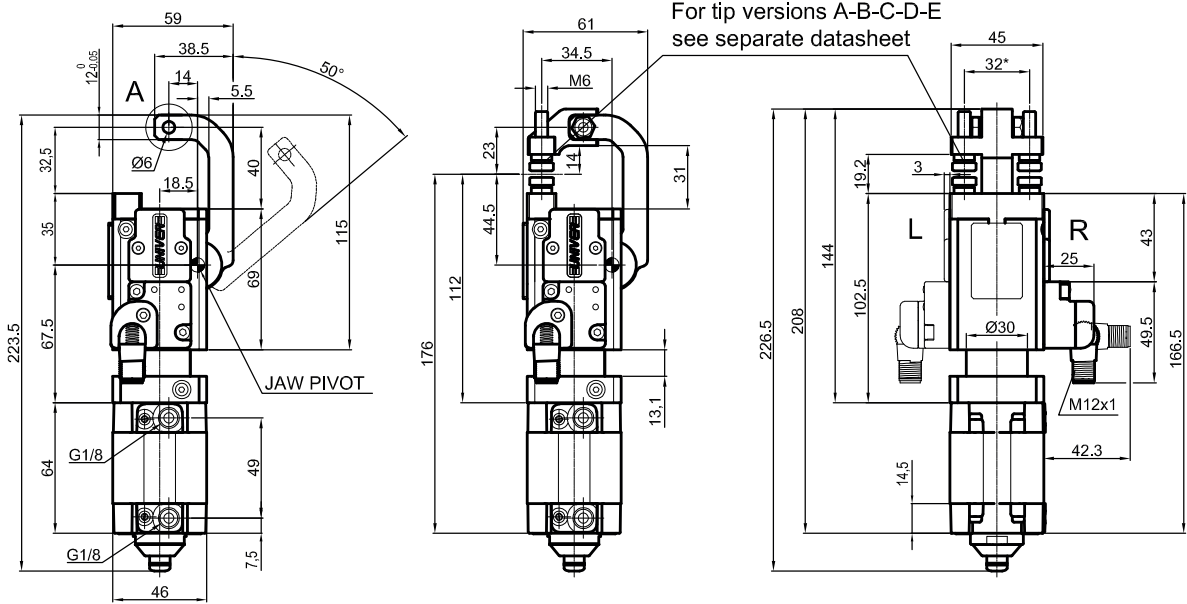
Min./Max. operating pressure: **0,4 / 0,6 MPa**
 Operating temperature: **5°± 45° C**
 Opening angle: **adjustable from 10° to 50°**
 Electronic sensor with M12 swivel connector, from 0° to 90°, in steps of 10°
 Supply voltage: 10 ÷ 30 Vdc
 IP code: **IP 65**

*: TOLERANCE BETWEEN DOWELS ± 0,02, BETWEEN SCREW HOLES ± 0,1

Subject to technical modifications without notice

Rev. 01 02.11.21

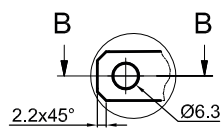
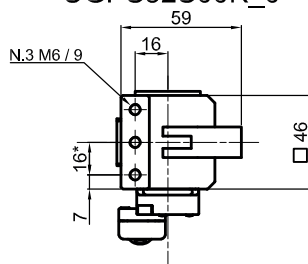
UGPS32S__K_30



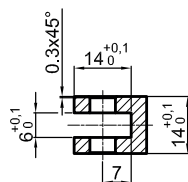
UGPS32S00K_0

UGPS32S1_K_0

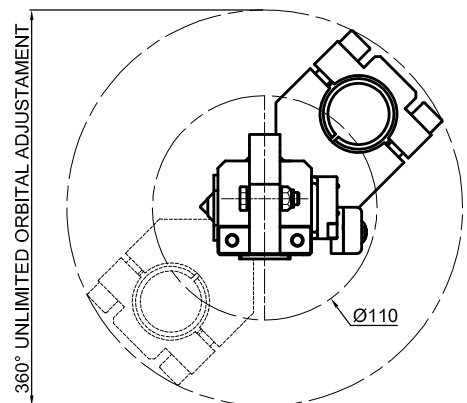
UGPS32S2_K_0



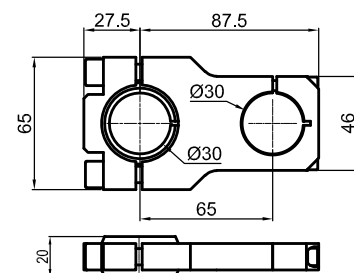
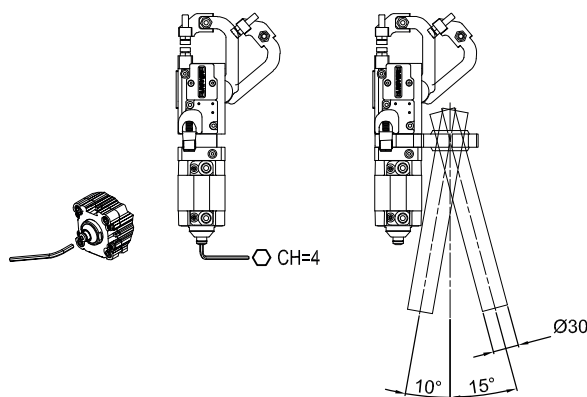
A (2 : 1)



B-B (2 : 1)



UGPS32S2_K_30



LGP32MO30

Bore Ø	Holding moment	Clamping force at 5 bar	Weight	Mount weight
32 mm	150 Nm	600 N	0,95 Kg	0,2 Kg

 Min./Max. operating pressure: **0,4 / 0,6 MPa**

 Operating temperature: **5° ÷ 45° C**

 Opening angle: **adjustable from 10° to 50°**

Electronic sensor with M12 swivel connector than can be orientated at 0° or 90°

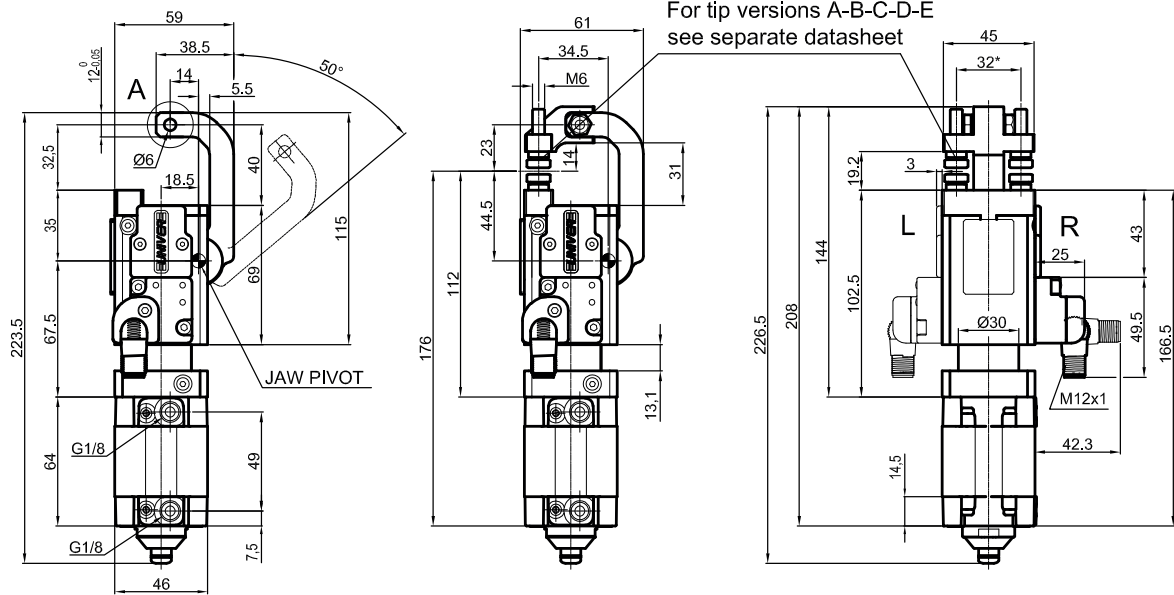
Supply voltage: 10 ÷ 30 Vdc

 IP code: **IP 65**

*: TOLERANCE BETWEEN DOWELS ± 0,02, BETWEEN SCREW HOLES ± 0,1

Subject to technical modifications without notice

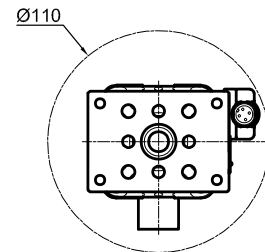
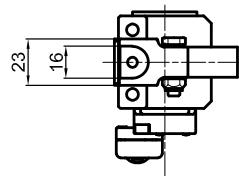
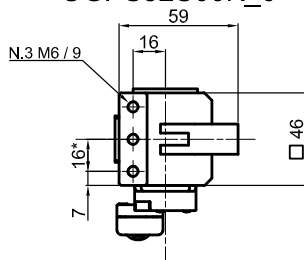
UGPS32S__K_60



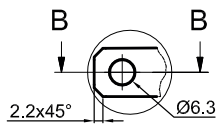
UGPS32S00K_0

UGPS32S1_K_0

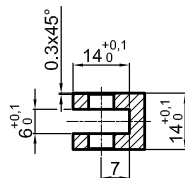
UGPS32S2_K_0



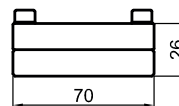
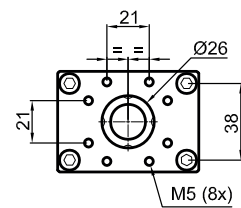
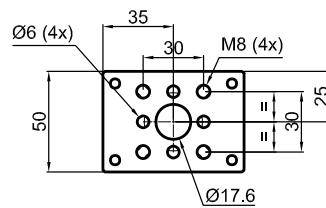
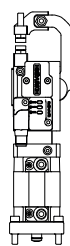
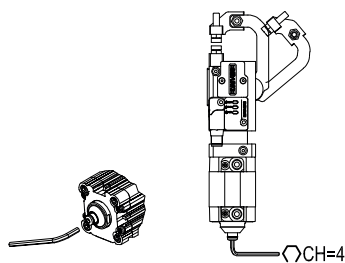
UGPS32S2_K_6



A (2 : 1)



B-B (2 : 1)



LGP32PT070

Bore Ø	Holding moment	Clamping force at 5 bar	Weight	Mount weight
32 mm	150 Nm	600 N	0,95 Kg	0,24 Kg

 Min./Max. operating pressure: **0,4 / 0,6 MPa**

 Operating temperature: **5° ÷ 45° C**

 Opening angle: **adjustable from 10° to 50°**

Electronic sensor with M12 swivel connector than can be orientated at 0° or 90°

Supply voltage: 10 ÷ 30 Vdc

 IP code: **IP 65**

*: TOLERANCE BETWEEN DOWELS ± 0,02, BETWEEN SCREW HOLES ± 0,1

Subject to technical modifications without notice