

LCG63 __ _ U12R

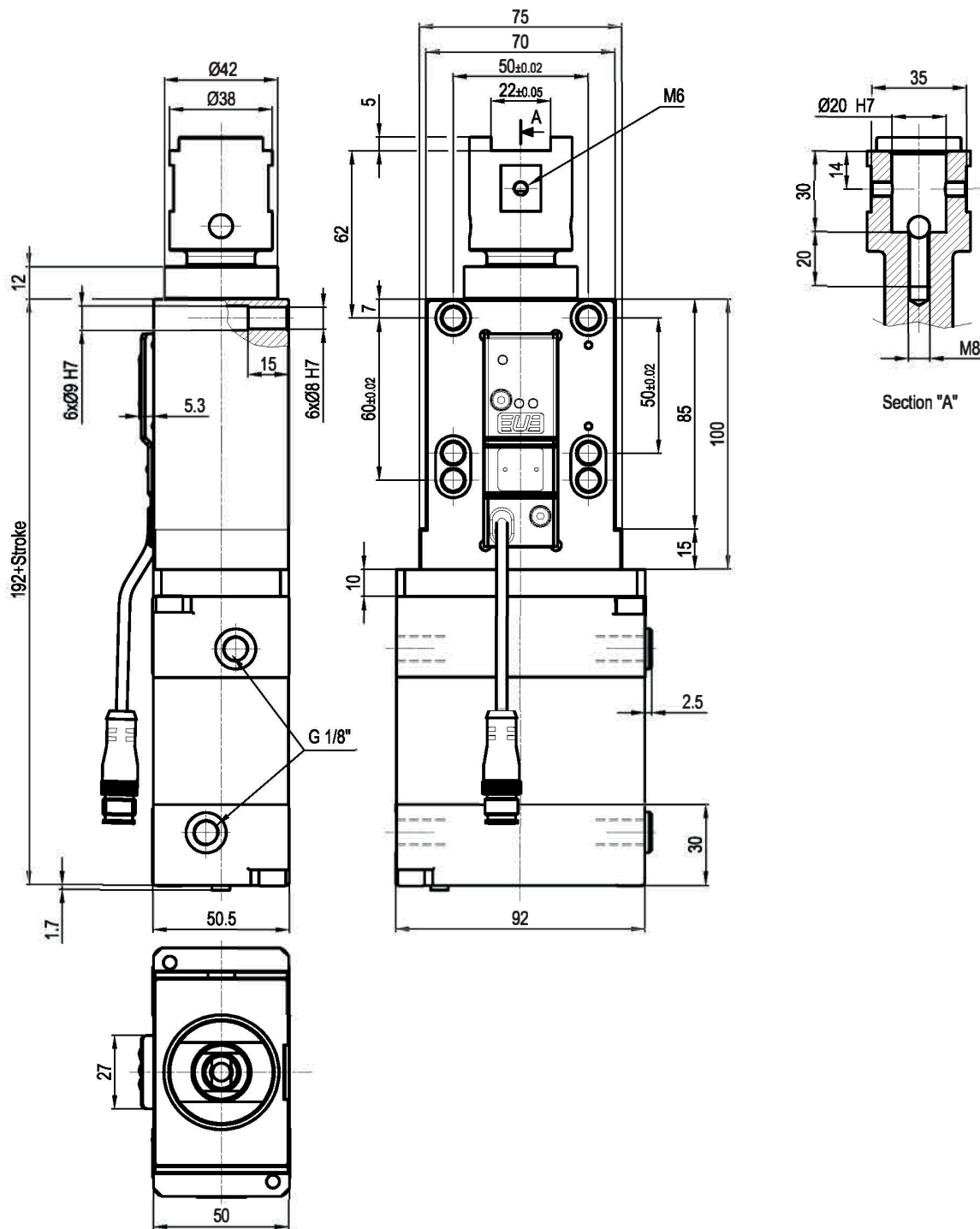
4 STROKE

4

025 = 25 mm
050 = 50 mm

| Rod's inner Ø12 | |
|-----------------|--------|
| Cylinder | Weight |
| Ø 63 | 2,5 Kg |

Min./Max. operating pressure: **0,4 / 0,6 MPa**
 Operating temperature: **5° ÷ 45° C**
 Electronic sensor with M12 swivel connector
 Supply voltage: **10 ÷ 30 Vdc**
 IP code: **IP 65**
 Pneumatic ports on both sides



LCG63 __ _ U20R

4 STROKE

4

025 = 25 mm
050 = 50 mm

| Rod's inner Ø20 | |
|-----------------|--------|
| Cylinder | Weight |
| Ø 63 | 2,5 Kg |

Min./Max. operating pressure: **0,4 / 0,6 MPa**
 Operating temperature: **5° ÷ 45° C**
 Electronic sensor with M12 swivel connector
 Supply voltage: **10 ÷ 30 Vdc**
 IP code: **IP 65**
 Pneumatic ports on both sides