

LCG50

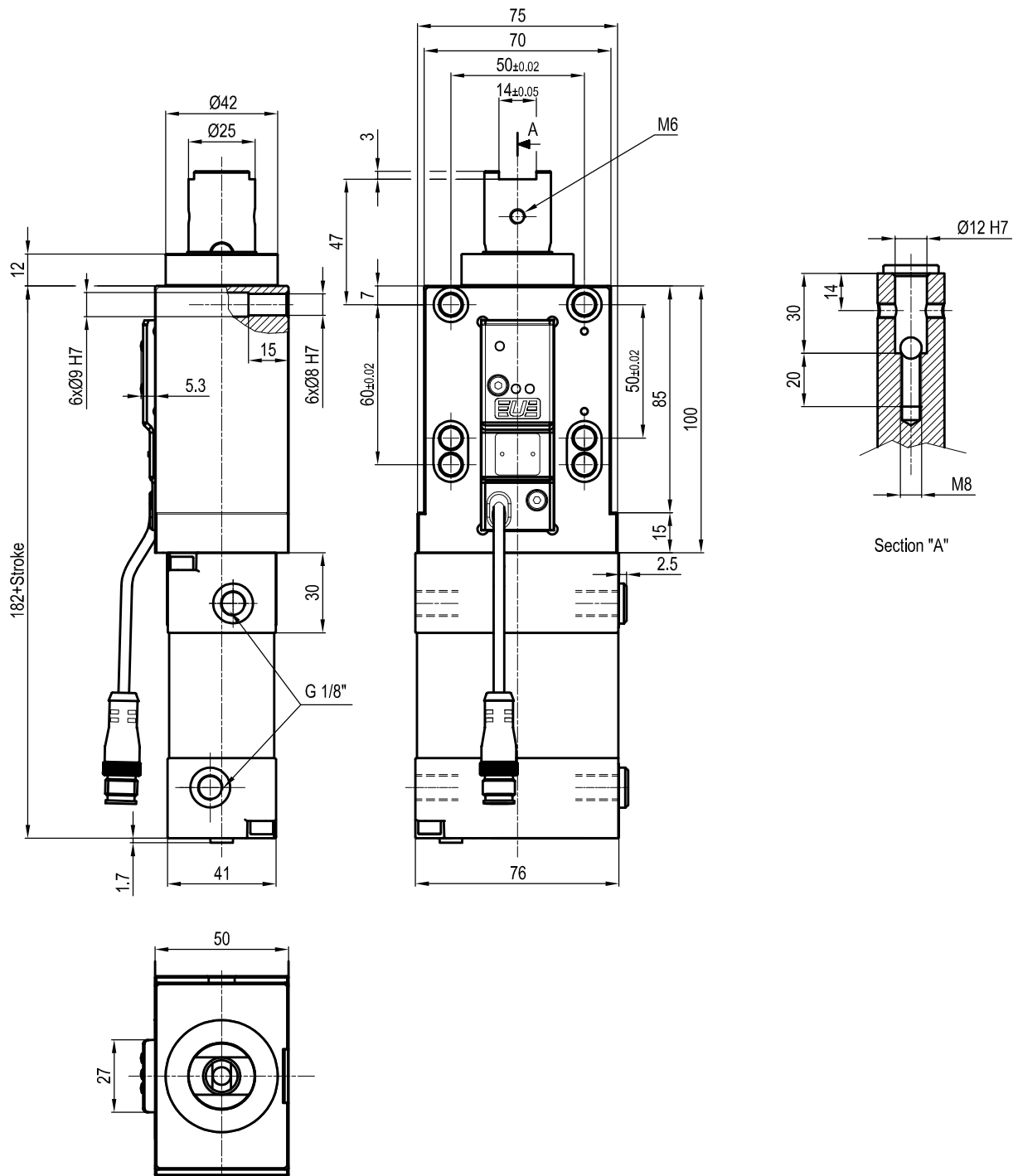
Pneumatic retractable locating pin unit conforming to **CNOMO** standard, single rod



L	C	G	5	0	0	5	0	U	1	2	R
1	2	3	4		5	6		7			

1 Series LC = Retractable locating pin unit conforming to CNOMO standard	2 Version P = Pneumatic, single rod	3 Size 50 = Ø 50 mm
4 Strokes 025 = 15 mm 050 = 25 mm	5 Sensing style U = Electronic sensor	6 Rod's inner Ø 12 = Ø 12 mm 20 = Ø 20 mm
7 Rod scraper R = Metallic rod scraper		

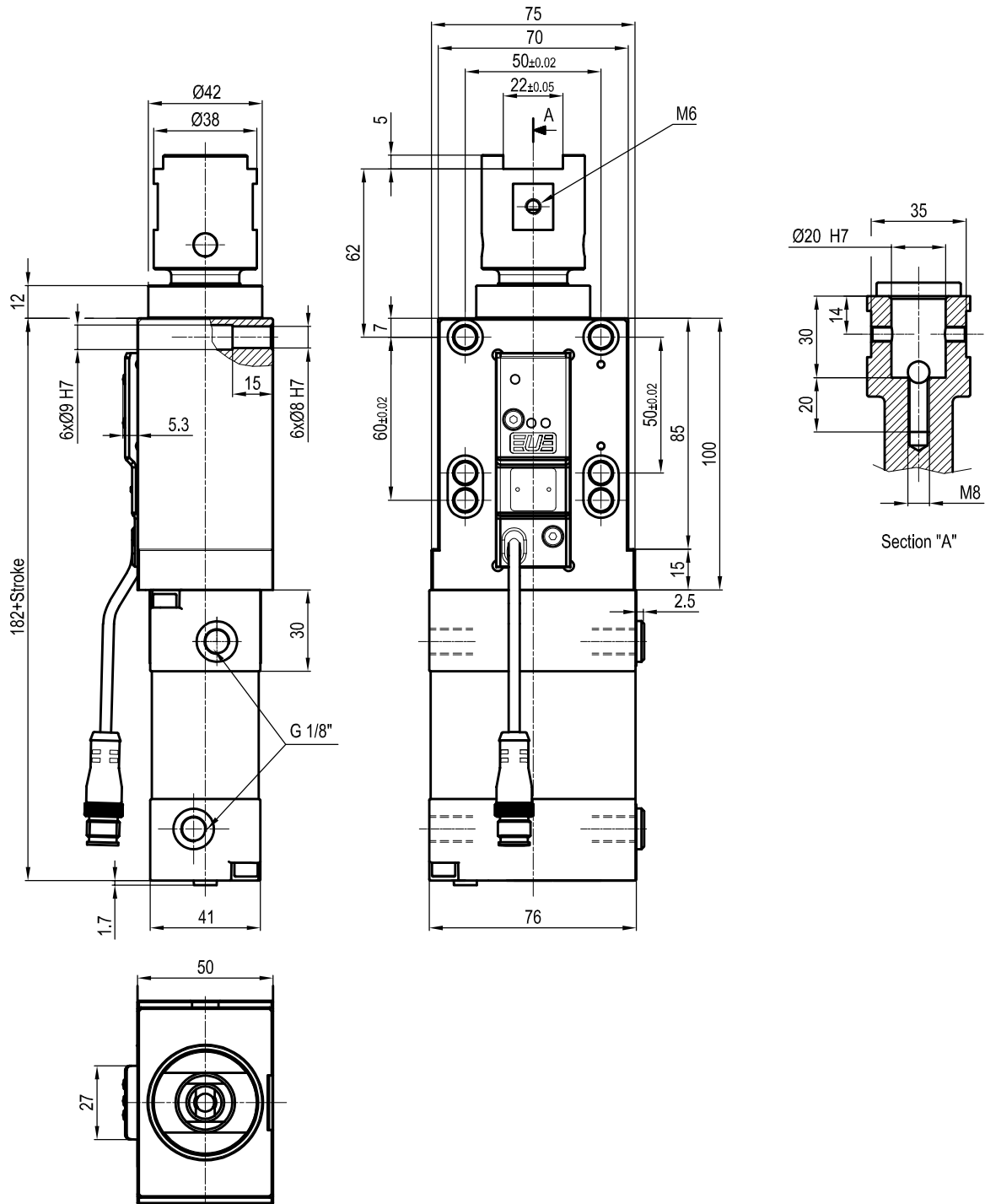
UNIVERSAL Retractable locating pin unit



ROD'S INNER Ø12	
CYLINDER Ø	WEIGHT
CYLINDER Ø50	2,1 Kg

Min./max. operating pressure: **0,4 / 0,6 MPa**
 Operating temperature: **5° + 45° C**
 Stroke in mm. : 25-50
 Electronic sensor with M12
 Supply voltage: 10+30 Vdc
 IP code: **IP 65**
 Pneumatic ports on both sides

UNIVERSAL Retractable locating pin unit



ROD'S INNER $\varnothing 20$	
CYLINDER \varnothing	WEIGHT
CYLINDER $\varnothing 50$	2,1Kg

Min./max. operating pressure: **0,4 / 0,6 MPa**
 Operating temperature: **5° + 45° C**
 Stroke in mm. : 25-50
 Electronic sensor with M12
 Supply voltage: 10-30 Vdc
 IP code: **IP 65**
 Pneumatic ports on both sides