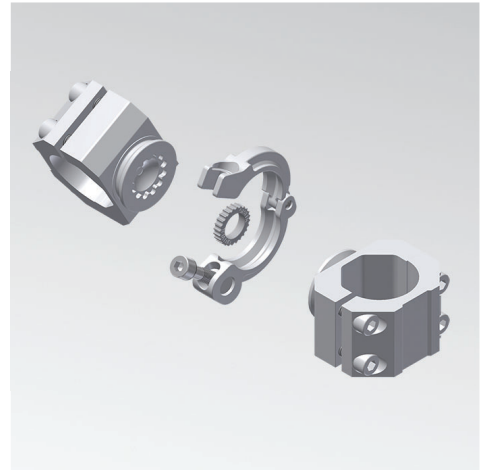
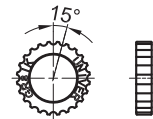
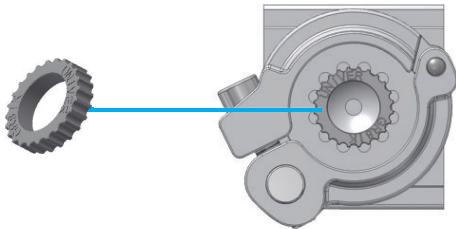


## Interlocking key insert and locking ring

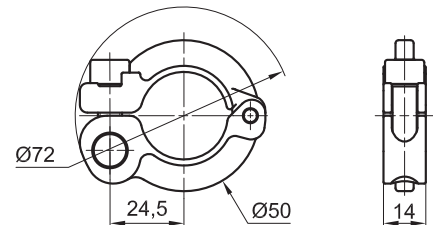


### GR8IK Interlocking key insert



**Material:** Steel  
**Weight:** 0,09 kg

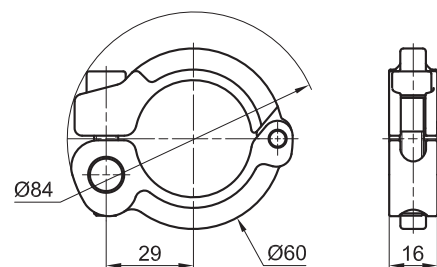
### GR8LH Locking ring



	Tightening torque	Screw
GR8LH	28 Nm	M8 x 35

**Material:** Steel  
**Weight:** 0,118 kg

### GR8LHD Locking ring



	Tightening torque	Screw
GR8LHD	28 Nm	M8 x 40

**Material:** Steel  
**Weight:** 0,178 kg