

Serie 55000

TECHNOPOLYMERIC PUSH-IN FITTING

TECHNICAL CHARACTERISTICS



Reference standard

1907/2006
REACH ✓

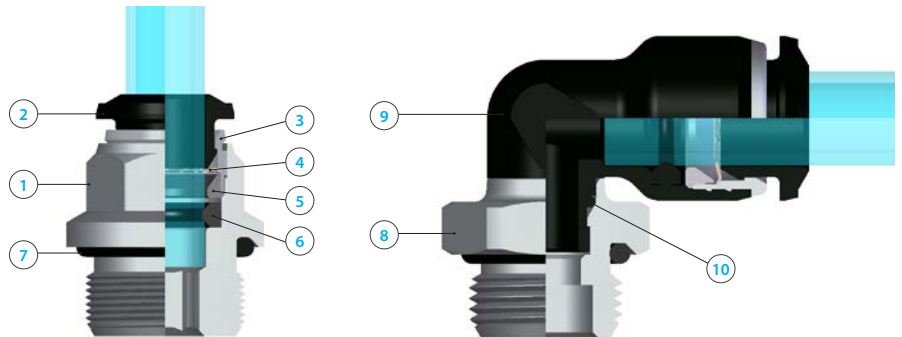
2011/65/CE
RoHS ✓

PED
2014/68/UE

ISO
14743:2020

SILICON
FREE

1	Nickel-plated brass Body
2	Acetalic resin Collet
3	Nickel-plated brass Capsule
4	Steel AISI 301 Clamping washer
5	Technopolymeric positioning ring
6	NBR Molded seal
7	NBR Thread packing
8	Base Threaded Nickel Plated Brass
9	Technopolymeric Body PA
10	NBR seal

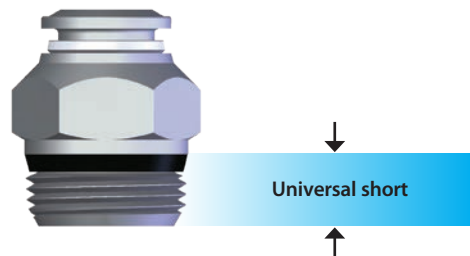


UNIVERSAL SHORT

The "UNIVERSAL SHORT" taper thread has been designed to offer the following advantages to the users:

- reduced overall length;
- smaller hex dimensions compared to the parallel threads;
- to allow the assembly with different female threads both taper as well as parallel.

To ensure the right tightening also with surfaces not perfectly flat, without spot-facing, concave convex and with different kinds of chamfers or radius.



↓
NPT
NPTF Tapered

↓
ISO 7
BSPP Parallell

↓
ISO 7
BSPT PT Tapered

↓
ISO 228
BSP PF Parallell

Inclined



Concave



Convex





Torque specifications

Breaking values may vary according to the item



ISO 228

Measure	Recommended torque nm	Breaking torque nm
M5	0,8	3,2
M7	3	8
M8	3	8
1/8	3	8
1/4	9	30
3/8	10	60
1/2	12	50



"UNIVERSAL SHORT"

Measure	Recommended torque nm	Breaking torque nm
1/8	5	7
1/4	5	7
3/8	5	7
1/2	5	7

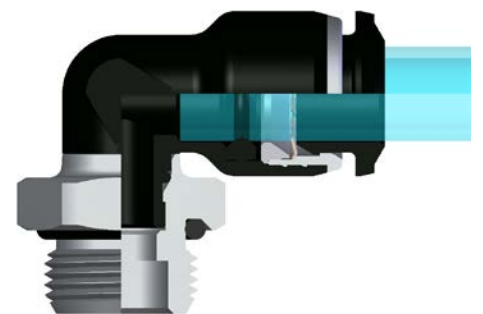
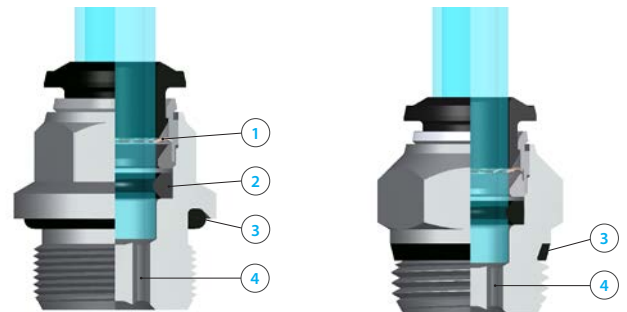
	FLUIDS	Compressed air / Vacuum / Water
	TEMPERATURES	-20 °C +80 °C
	PRESSURES	- 0.99 bar (-0.099 MPa) 20 bar (2.0 MPa)

	CONNECTION TUBES	Plastic tubes: PA6, PA11, PA12, Polyethylene, *Polyurethane, PTFE, FEP. *Use from 90 to 98 Shore, for maximum performance is recommended 98 Shore A.
	THREADS	"UNIVERSAL SHORT" Tapered thread. Tapered gas in conformity with ISO7.1, BS 21, DIN 2999. Parallel gas in conformity with ISO 228 Class A. Metric in conformity with ISO R/262.



Advantages

1. The washer is made in stainless steel ensures the perfect tube clamping with every kinds of materials without damage the surface. The connection between the tube and the fitting ensure a total tightness even in severe conditions such as impact and vibrations.
2. The particular geometric shape of the seal ensure the perfect tightness even with vacuum
3. All of threads from this range have been equipped with tightening parts which allow the direct assembly of the fittings, reducing the installation time.
4. All the straight fittings can be assembled also with Allen wrench and it is possible to use them in reduced spaces.



50020N

 STRAIGHT MALE ADAPTOR
(PARALLEL)

55000

 STRAIGHT MALE ADAPTOR
"UNIVERSAL SHORT"

55010

 STRAIGHT MALE ADAPTOR WITH
HEXAGON EMBEDDED

50010N

 STRAIGHT MALE ADAPTOR
(PARALLEL) WITH HEXAGON
EMBEDDED

50015N

 STRAIGHT MALE ADAPTOR
(PARALLEL) WITH HEXAGON
EMBEDDED


Tube	Thread	Code	Code	Code	Code	Code
3	M5	50020 00 N21	-	-	50010 00 N08	-
5/32 (4)	M3	50020 00 N34	-	-	-	-
5/32 (4)	M5	50020 00 N01	-	-	50010 00 N01	-
5/32 (4)	1/8	50020 00 N02	55000 00 001	55010 00 001	-	-
5/32 (4)	1/4	50020 00 N22	55000 00 013	-	-	-
5/32 (4)	3/8	50020 00 N41	-	-	-	-
5	M5	50020 00 N18	-	-	-	-
5	1/8	50020 00 N19	55000 00 002	-	-	-
5	1/4	50020 00 N36	55000 00 003	-	-	-
6	M5	50020 00 N20	-	-	50010 00 N07	-
6	1/8	50020 00 N03	55000 00 004	55010 00 002	-	50015 00 N03
6	1/4	50020 00 N04	55000 00 005	55010 00 003	-	-
6	3/8	50020 00 N27	55000 00 014	-	-	-
6	1/2	50020 00 N28	55000 00 015	-	-	-
5/16 (8)	1/8	50020 00 N05	55000 00 006	55010 00 004	-	50015 00 N04
5/16 (8)	1/4	50020 00 N06	55000 00 007	55010 00 005	-	-
5/16 (8)	3/8	50020 00 N07	55000 00 008	-	-	-
5/16 (8)	1/2	50020 00 N29	55000 00 016	-	-	-
10	1/8	50020 00 N30	-	-	-	-
10	1/4	50020 00 N08	55000 00 009	-	-	50015 00 N12
10	3/8	50020 00 N09	55000 00 010	-	-	-
10	1/2	50020 00 N31	55000 00 017	-	-	-
12	1/4	50020 00 N32	55000 00 011	-	-	-
12	3/8	50020 00 N11	55000 00 012	-	-	-
12	1/2	50020 00 N23	55000 00 018	-	-	-
14	3/8	50020 00 N24	55000 00 019	-	-	-
14	1/2	50020 00 N25	55000 00 020	-	-	-
16	3/8	50020 00 N42	55000 00 021	-	-	-
16	1/2	50020 00 N43	55000 00 022	-	-	-
5/32 (4)	M6X1	50020 00 N46	-	-	-	-
5/32 (4)	M7X1	-	-	-	50010 00 N09	-
5/32 (4)	M8X1	50020 00 N33	-	-	-	-
6	M6X1	-	-	-	50010 00 N11	-
6	M8X1	50020 00 N37	-	-	-	-
6	M10X1	50020 00 N38	-	-	-	-
6	M12X1	50020 00 N12	-	-	-	-
6	M12X1,25	50020 00 N13	-	-	-	-
6	M12X1,5	50020 00 N14	-	-	-	-
5/16 (8)	M8X1	50020 00 N39	-	-	-	-
5/16 (8)	M10X1	50020 00 N40	-	-	-	-
5/16 (8)	M12X1,5	50020 00 N17	-	-	-	-

50030N

STRAIGHT FEMALE ADAPTOR


55116

 ORIENTING ELBOW MALE
ADAPTOR (PARALLEL)

55106

 ORIENTING ELBOW FEMALE
ADAPTOR

55111

 ORIENTING ELBOW MALE
ADAPTOR "UNIVERSAL SHORT"

55126

 EXTENDED ORIENTING ELBOW
MALE ADAPTOR (PARALLEL)


Tube	Thread	Code	Code	Code	Code	Code
5/32 (4)	M3X0,5	50030 00 N07	55116 00 001	-	-	-
5/32 (4)	M5	50030 00 N08	55116 00 002	-	-	55126 00 002
5/32 (4)	M7X1	-	55116 00 003	-	-	-
5/32 (4)	1/8	50030 00 N01	55116 00 004	55106 00 001	55111 00 001	55126 00 004
5/32 (4)	1/4	50030 00 N09	55116 00 005	55106 00 002	55111 00 002	-
5/32 (4)	3/8	-	55116 00 006	-	-	-
5	M5	-	55116 00 007	-	-	-
5	1/8	50030 00 N06	55116 00 009	-	55111 00 003	-
6	M5	-	55116 00 011	-	-	55126 00 008
6	M7X1	-	-	-	-	55126 00 025
6	M7	-	55116 00 029	-	-	-
6	M10x1	-	55116 00 030	-	-	-
6	M12x1	-	55116 00 031	-	-	-
6	1/8	50030 00 N02	55116 00 013	55106 00 003	55111 00 004	55126 00 009
6	1/4	50030 00 N03	55116 00 014	55106 00 004	55111 00 005	55126 00 024
6	3/8	-	55116 00 015	-	55111 00 006	-
6	1/2	-	55116 00 016	-	55111 00 007	-
5/16 (8)	M10x1	-	55116 00 032	-	-	-
5/16 (8)	M12x1	-	55116 00 033	-	-	-
5/16 (8)	1/8	50030 00 N04	55116 00 017	55106 00 005	55111 00 008	55126 00 013
5/16 (8)	1/4	50030 00 N05	55116 00 018	55106 00 006	55111 00 009	55126 00 014
5/16 (8)	3/8	50030 00 N10	55116 00 019	55106 00 007	55111 00 010	55126 00 015
5/16 (8)	1/2	-	55116 00 020	-	55111 00 011	-
10	1/8	-	55116 00 034	-	-	-
10	1/4	50030 00 N11	55116 00 021	55106 00 008	55111 00 012	55126 00 016
10	3/8	50030 00 N12	55116 00 022	55106 00 009	55111 00 013	55126 00 017
10	1/2	50030 00 N13	55116 00 023	-	55111 00 014	55126 00 018
12	1/4	-	55116 00 024	-	55111 00 015	55126 00 019
12	3/8	50030 00 N14	55116 00 025	-	55111 00 016	55126 00 020
12	1/2	50030 00 N15	55116 00 026	-	55111 00 017	55126 00 021
14	3/8	-	55116 00 027	-	55111 00 018	-
14	1/2	-	55116 00 028	-	55111 00 019	-
16	3/8	50030 00 N16	55116 00 035	-	55111 00 020	-
16	1/2	50030 00 N17	55116 00 036	-	55111 00 021	-

55170

45° ORIENTING ELBOW MALE ADAPTOR "UNIVERSAL SHORT"


55175

45° ORIENTING ELBOW MALE ADAPTOR (PARALLEL)


55211

ORIENTING TEE MALE ADAPTOR "UNIVERSAL SHORT" - CENTRE LEG


55216

ORIENTING TEE MALE ADAPTOR (PARALLEL) - CENTRE LEG


55223

ORIENTING TEE MALE ADAPTOR "UNIVERSAL SHORT" OFF - SET LEG



Tube	Thread	Code	Code	Code	Code	Code
5/32 (4)	M5	-	55175 00 002	-	55216 00 002	-
5/32 (4)	1/8	55170 00 001	55175 00 004	55211 00 001	55216 00 004	55223 00 001
5/32 (4)	1/4	-	-	55211 00 002	55216 00 005	55223 00 002
5	M5	-	-	-	55216 00 007	-
5	1/8	-	-	55211 00 003	55216 00 009	55223 00 003
6	M5	-	55175 00 011	-	55216 00 011	-
6	1/8	55170 00 004	55175 00 013	55211 00 004	55216 00 013	55223 00 004
6	1/4	55170 00 005	55175 00 014	55211 00 005	55216 00 014	55223 00 005
5/16 (8)	1/8	55170 00 008	55175 00 017	55211 00 008	55216 00 017	55223 00 008
5/16 (8)	1/4	55170 00 009	55175 00 018	55211 00 009	55216 00 018	55223 00 009
5/16 (8)	3/8	55170 00 010	55175 00 019	55211 00 010	55216 00 019	55223 00 010
10	1/4	55170 00 012	55175 00 021	55211 00 012	55216 00 021	55223 00 012
10	3/8	55170 00 013	55175 00 022	55211 00 013	55216 00 022	55223 00 013
10	1/2	55170 00 014	55175 00 023	55211 00 014	55216 00 023	55223 00 014
12	1/4	55170 00 015	55175 00 024	55211 00 015	55216 00 024	55223 00 015
12	3/8	55170 00 016	55175 00 025	55211 00 016	55216 00 025	55223 00 016
12	1/2	55170 00 017	55175 00 026	55211 00 017	55216 00 026	55223 00 017
14	3/8	-	-	55211 00 018	55216 00 027	55223 00 018
14	1/2	-	-	55211 00 019	55216 00 028	55223 00 019
16	3/8	-	-	55211 00 020	55216 00 029	-
16	1/2	-	-	55211 00 021	55216 00 030	-

55226

ORIENTING TEE MALE ADAPTOR (PARALLEL) - OFF - SET LEG


55320

ORIENTING Y MALE ADAPTOR "UNIVERSAL SHORT"


55325

ORIENTING Y MALE ADAPTOR (PARALLEL)


55340

Y CONNECTOR ORIENTING MALE ADAPTOR "UNIVERSAL SHORT"


55345

Y CONNECTOR ORIENTING MALE ADAPTOR (PARALLEL)



Tube	Thread	Code	Code	Code	Code	Code
5/32 (4)	M5	55226 00 002	-	55325 00 002	-	-
5/32 (4)	M7X1	-	-	-	-	-
5/32 (4)	1/8	55226 00 004	55320 00 002	55325 00 003	55340 00 001	55345 00 001
5/32 (4)	1/4	55226 00 005	55320 00 007	55325 00 009	55340 00 002	55345 00 002
5	M5	55226 00 007	-	-	-	-
5	1/8	55226 00 009	-	-	-	-
6	M5	55226 00 011	-	55325 00 004	-	-
6	1/8	55226 00 013	55320 00 003	55325 00 005	55340 00 003	55345 00 003
6	1/4	55226 00 014	55320 00 004	55325 00 006	55340 00 004	55345 00 004
5/16 (8)	1/8	55226 00 017	55320 00 005	55325 00 007	-	-
5/16 (8)	1/4	55226 00 018	55320 00 006	55325 00 008	-	-
5/16 (8)	3/8	55226 00 019	55320 00 008	55325 00 010	-	-
10	1/4	55226 00 021	55320 00 009	55325 00 011	-	-
10	3/8	55226 00 022	55320 00 010	55325 00 012	-	-
10	1/2	55226 00 023	55320 00 011	55325 00 013	-	-
12	1/4	55226 00 024	-	-	-	-
12	3/8	55226 00 025	55320 00 012	55325 00 014	-	-
12	1/2	55226 00 026	55320 00 013	55325 00 015	-	-
14	3/8	55226 00 027	-	-	-	-
14	1/2	55226 00 028	-	-	-	-

55230

TEE CONNECTOR


55130

ELBOW CONNECTOR


55140

PLUG-IN ELBOW


55150

PLUG-IN ELBOW


55160

45° PLUG-IN ELBOW



Tube	Tube	Code	Code	Code	Code	Code
5/32 (4)	5/32 (4)	55230 00 002	55130 00 002	55140 00 001	55150 00 001	55160 00 001
5/32 (4)	6	55230 00 019	-	55140 00 002	55150 00 002	-
5	5	55230 00 003	55130 00 003	-	-	-
6	6	55230 00 004	55130 00 004	55140 00 005	55150 00 005	55160 00 005
6	5/32 (4)	55230 00 009	-	55140 00 006	55150 00 006	-
6	5/16 (8)	55230 00 018	-	55140 00 012	-	-
5/16 (8)	5/16 (8)	55230 00 005	55130 00 005	55140 00 007	55150 00 007	55160 00 007
5/16 (8)	5/32 (4)	55230 00 021	-	-	-	-
5/16 (8)	6	55230 00 010	55130 00 009	-	-	-
5/16 (8)	10	55230 00 015	-	55140 00 008	55150 00 008	-
10	6	-	55130 00 012	-	-	-
10	10	55230 00 006	55130 00 006	55140 00 009	55150 00 009	55160 00 009
10	5/16 (8)	55230 00 011	55130 00 010	-	-	-
10	12	55230 00 017	-	55140 00 010	55150 00 010	-
12	12	55230 00 007	55130 00 007	55140 00 011	55150 00 011	55160 00 011
12	10	55230 00 012	55130 00 011	-	-	-
14	14	55230 00 008	55130 00 008	-	-	-
14	5/16 (8)	55230 00 016	-	-	-	-
14	10	55230 00 013	-	-	-	-
14	12	55230 00 014	-	-	-	-
16	16	55230 00 020	55130 00 013	-	-	-

55180

45° ELBOW CONNECTOR


55235

PLUG-IN EQUAL RUN TEE


55237

PLUG-IN EQUAL CENTRE TEE


55240

ORIENTING TEE


55310

Y CONNECTOR



Tube	Tube	Code	Code	Code	Code	Code
5/32 (4)	5/32 (4)	55180 00 002	55235 00 002	-	55240 00 001	55310 00 002
5/32 (4)	6	-	55235 00 009	-	55240 00 002	-
6	6	55180 00 004	55235 00 004	-	55240 00 005	55310 00 004
6	5/32 (4)	-	-	55237 00 009	55240 00 006	55310 00 008
6	5/16 (8)	-	55235 00 010	-	-	-
5/16 (8)	5/16 (8)	55180 00 005	55235 00 005	-	55240 00 007	55310 00 005
5/16 (8)	5/32 (4)	-	-	-	-	-
5/16 (8)	6	-	-	55237 00 010	-	55310 00 009
5/16 (8)	10	-	55235 00 011	-	55240 00 008	-
10	10	55180 00 006	55235 00 006	-	55240 00 009	55310 00 006
10	5/16 (8)	-	-	55237 00 011	-	55310 00 010
10	12	-	55235 00 012	-	55240 00 010	-
12	12	55180 00 007	55235 00 007	-	55240 00 011	55310 00 007
12	5/16 (8)	-	-	-	-	55310 00 011
12	10	-	-	55237 00 012	-	-

55315

PLUG-IN Y CONNECTOR



Tube	Tube	Code
5/32 (4)	5/32 (4)	55315 00 002
5/32 (4)	6	-
6	6	55315 00 004
6	5/32 (4)	55315 00 008
6	5/16 (8)	-
5/16 (8)	5/16 (8)	55315 00 005
5/16 (8)	5/32 (4)	-
5/16 (8)	6	55315 00 009
10	6	-
10	10	55315 00 006
10	5/16 (8)	55315 00 010
12	12	55315 00 007

55330

Y CONNECTOR MANIFOLD



Code
55330 00 001
55330 00 002
55330 00 003
-
55330 00 004
-
-
-
-
-
-
-
-
-
-

55350

REDUCTION MANIFOLD



Code
-
-
-
55350 00 001
-
-
55350 00 002
55350 00 003
55350 00 004
-
55350 00 005
-

55040

STRAIGHT CONNECTOR


50465N

BULKHEAD CONNECTOR



Tube	Tube	Code	Code
5/32 (4)	-	55040 00 002	-
5	-	55040 00 003	-
6	-	55040 00 004	50465 00 N02
6	5/32 (4)	55040 00 009	-
5/16 (8)	-	55040 00 005	50465 00 N03
5/16 (8)	5/32 (4)	55040 00 015	-
5/16 (8)	6	55040 00 010	-
10	-	55040 00 006	50465 00 N04
10	6	55040 00 014	-
10	5/16 (8)	55040 00 011	-
12	-	55040 00 007	-
12	5/16 (8)	55040 00 016	-
12	10	55040 00 012	-
14	-	55040 00 008	-
14	12	55040 00 017	-
16	16	55040 00 018	-

50050N

BULKHEAD CONNECTOR


55050

BULKHEAD CONNECTOR



Tube	Thread	Code	Code
3	M10X1	50050 00 N07	-
5/32 (4)	M12X1	50050 00 N01	-
5	M14X1	50050 00 N06	-
6	M14X1	50050 00 N02	-
5/16 (8)-6	M16X1	50050 00 N09	-
5/16 (8)	M16X1	50050 00 N03	55050 00 005
10-6	M20X1	50050 00 N10	-
10-5/16 (8)	M20X1	50050 00 N11	-
10	M20X1	50050 00 N04	-
12	M22X1	50050 00 N05	-
14	M23X1	50050 00 N08	-
12	5/16 (8)	55040 00 016	-
12	10	55040 00 012	-
14		55040 00 008	-
14	12	55040 00 017	-
16	16	55040 00 018	-

50055N

FEMALE BULKHEAD CONNECTOR



Tube	Thread	Code
5/32 (4)	1/8	50055 00 N01
6	1/8	50055 00 N02
6	1/4	50055 00 N03
5/16 (8)	1/8	50055 00 N04
5/16 (8)	1/4	50055 00 N05
10	3/8	50055 00 N06
12	3/8	50055 00 N07
12	1/2	50055 00 N08

55060

BULKHEAD ORIENTING ELBOW



Tube	Thread	Code
5/32 (4)	M12X1	55060 00 003
6	M14X1	55060 00 004
5/16 (8)	M16X1	55060 00 005
10	M20X1	55060 00 006
12	M22X1	55060 00 007

55360

REDUCTION MANIFOLD ORIENTING MALE ADAPTOR*UNIVERSAL SHORT*



Tube	Tube	Thread	Code
6	5/32(4)	1/8	55360 00 001
6	5/32(4)	1/4	55360 00 002
5/16(8)	5/32(4)	1/8	55360 00 003
5/16(8)	5/32(4)	1/4	55360 00 004
5/16(8)	6	1/8	55360 00 005
5/16(8)	6	1/4	55360 00 006
10-6	6	1/4	55360 00 007
10-6	6	3/8	55360 00 008
10	5/16(8)	1/4	55360 00 009
10	5/16(8)	3/8	55360 00 010

55365

REDUCTION MANIFOLD ORIENTING MALE ADAPTOR (PARALLEL)



Code
55365 00 001
55365 00 002
55365 00 003
55365 00 004
55365 00 005
55365 00 006
55365 00 007
55365 00 008
55365 00 009
55365 00 010

55500

SINGLE BANJO BODY



Tube	Thread	Code
5/32 (4)	M5	55500 00 001
5/32 (4)	M6	55500 00 002
5/32 (4)	1/8	55500 00 003
5/32 (4)	1/4	55500 00 018
5	M5	55500 00 004
5	M6	55500 00 005
5	1/8	55500 00 006
5	1/4	55500 00 007
6	M5	55500 00 008
6	M6	55500 00 009
6	1/8	55500 00 010
6	1/4	55500 00 011
6	3/8	-
5/16 (8)	1/8	55500 00 012
5/16 (8)	1/4	55500 00 013
5/16 (8)	3/8	55500 00 014
10	1/4	55500 00 019
10	3/8	55500 00 015
12	3/8	55500 00 016
12	1/2	55500 00 017

55510

DOUBLE BANJO BODY



Code
55510 00 001
-
55510 00 003
-
-
-
55510 00 006
55510 00 007
-
-
-
55510 00 010
55510 00 011
-
55510 00 012
55510 00 013
-
-
-
-
-
-

55520

DOUBLE BANJO BODY



Code
-
-
55520 00 001
55520 00 002
-
-
-
-
-
-
-
55520 00 003
55520 00 004
55520 00 005
-
55520 00 006
55520 00 007
-
55520 00 008
-
-

55410
 BANJO SCREW SINGLE

55420
 BANJO SCREW DOUBLE

55430
 BANJO SCREW TRIPLE

55440
 MALE - FEMALE BANJO SCREW SINGLE


Tube	Code	Code	Code	Code
M5	55410 00 01 B5 NB	-	-	-
M6	55410 00 01 B8 NB	-	-	-
1/8	55410 00 01 02 NB	55420 00 01 02 NT	55430 00 01 02 NT	55440 00 01 02 NB
1/4	55410 00 01 03 NB	55420 00 01 03 NT	55430 00 01 03 NT	55440 00 01 03 NB
3/8	55410 00 01 04 NT	55420 00 01 04 NT	55430 00 01 04 NT	55440 00 01 04 NB
1/2	55410 00 01 05 NT	55420 00 01 05 NT	55430 00 01 05 NT	

EXAMPLES :

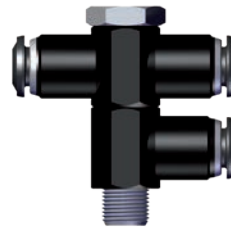
ASSEMBLING EXAMPLES OF VARIOUS BANJO SCREWS WITH SINGLE AND DOUBLE BANJO BODIES



Banjo SCREW single



Banjo SCREW double



Banjo SCREW triple


50900N

ALUMINIUM MANIFOLD 5 WAYS



Tube	Thread	Code
4	1/8	50900 00 001
6	1/8	50900 00 002
6	1/4	50900 00 003
8	1/4	50900 00 004

50600

MALE ADAPTOR PARALLEL



Tube	Thread	Code
4	M5	50600 00 001
4	1/8	50600 00 002
5	M5	50600 00 012
5	1/8	50600 00 013
5	1/4	50600 00 014
6	M5	50600 00 015
6	1/8	50600 00 003
6	1/4	50600 00 004
8	1/8	50600 00 005
8	1/4	50600 00 006
8	3/8	50600 00 007
10	1/8	50600 00 016
10	1/4	50600 00 008
10	3/8	50600 00 009
10	1/2	50600 00 017
12	1/4	50600 00 010
12	3/8	50600 00 011
14	1/2	50600 00 018

50610

POLYAMIDE PLUG



Tube	Code
3	50610 00 31 X0 RO
4	50610 00 31 X1 RO
5	50610 00 31 X3 RO
6	50610 00 31 X4 RO
8	50610 00 31 X7 RO
10	50610 00 31 X9 RO
12	50610 00 31 Y1 RO
14	50610 00 31 Y3 RO
16	50610 00 31 Y5 RO

55620

TERMINAL PLUG



Tube	Tube	Code	Code
4	-	-	55625 00 31 X1 NE
6	-	-	55625 00 31 X4 NE
8	-	-	55625 00 31 X7 NE
10	-	-	55625 00 31 X9 NE
12	-	-	55625 00 31 Y1 NE
14	-	-	55625 00 31 Y3 NE
4	10	55620 00 002	-
6	12,5	55620 00 004	-
8	14	55620 00 005	-
10	17	55620 00 006	-
12	20	55620 00 007	-
14	21	55620 00 008	-

55625

DOUBLE JOINT



55700

REDUCER



Tube	Thread	Code	Code
4	6	-	55705 00 001
6	4	55700 00 001	-
6	8	-	55705 00 002
8	4	55700 00 008	-
8	6	55700 00 002	-
8	10	-	55705 00 003
10	6	55700 00 011	-
10	8	55700 00 003	-
10	12	-	55705 00 004
12	6	55700 00 013	-
12	8	55700 00 007	-
12	10	55700 00 010	-
14	8	55700 00 014	-
14	10	55700 00 015	-
14	12	55700 00 012	-

55705

REDUCER



50980

SECURITY CLIPS



Tube	Code
5/32 (4)	50980 00 32 X1 RO
1/4 (6)	50980 00 32 X4 RO
5/16 (8)	50980 00 32 X7 RO
3/8 (10)	50980 00 32 X9 RO
1/2 (12)	50980 00 32 Y1 RO

50990

TOOL FOR DISASSEMBLING



Code
50990 00 001

KEY

Screwdriver regulation

Manual regulation
MINI FLOW REGULATORS
56900

ORIENTING FLOW REGULATOR FOR CYLINDER (PARALLEL)


56910

ORIENTING FLOW REGULATOR FOR VALVE (PARALLEL)


56920

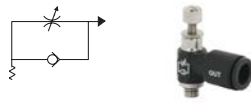
ORIENTING BI-DIRECTIONAL FLOW REGULATOR (PARALLEL)



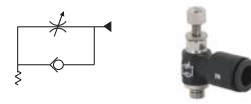
Tube	Thread	Code	Code	Code
4	M5	56900 00 001	56910 00 001	56920 00 001
6	M5	56900 00 002	56910 00 002	56920 00 002

56935

ORIENTING FLOW REGULATOR FOR CYLINDER (PARALLEL)


56945

ORIENTING FLOW REGULATOR FOR VALVE (PARALLEL)


56955

ORIENTING BI-DIRECTIONAL FLOW REGULATOR (PARALLEL)



Tube	Thread	Code	Code	Code
4	M3	56935 00 006	-	-
4	M5	56935 00 001	56945 00 001	56955 00 001
4	1/8	56935 00 003	56945 00 003	56955 00 003
6	M5	56935 00 002	-	56955 00 002
6	1/8	56935 00 004	56945 00 004	56955 00 004

FLOW REGULATORS
55902

SWIVEL FLOW REGULATOR FOR CYLINDER (PARALLEL)


55912

SWIVEL FLOW REGULATOR FOR VALVE (PARALLEL)


55922

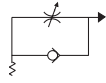
SWIVEL BI-DIRECTIONAL FLOW REGULATOR (PARALLEL)



Tube	Thread	Code	Code	Code
4	1/8	55902 00 003	55912 00 003	55922 00 003
6	1/8	55902 00 008	55912 00 008	55922 00 008
6	1/4	55902 00 009	55912 00 009	55922 00 009
8	1/8	55902 00 010	55912 00 010	55922 00 010
8	1/4	55902 00 011	55912 00 011	55922 00 011
8	3/8	55902 00 012	55912 00 012	55922 00 012
10	1/4	55902 00 016	55912 00 016	55922 00 016
10	3/8	55902 00 013	55912 00 013	55922 00 013
12	3/8	55902 00 014	55912 00 014	55922 00 014
12	1/2	55902 00 015	55912 00 015	55922 00 015

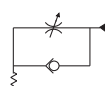
55906

SWIVEL FLOW REGULATOR FOR CYLINDER (PARALLEL)



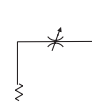
55916

SWIVEL FLOW REGULATOR FOR VALVE (PARALLEL)



55926

SWIVEL BI-DIRECTIONAL FLOW REGULATOR (PARALLEL)



Tube	Thread	Code
6	1/4	55906 00 009
8	1/8	55906 00 010
8	1/4	55906 00 011
8	3/8	55906 00 012
10	1/4	55906 00 016
10	3/8	55906 00 013
12	3/8	55906 00 014
12	1/2	55906 00 015

Code
55916 00 009
55916 00 010
55916 00 011
55916 00 012
55916 00 016
55916 00 013
55916 00 014
55916 00 015

Tube	Thread	Code
6	1/4	55926 00 009
8	1/8	55926 00 010
8	1/4	55926 00 011
8	3/8	55926 00 012
10	1/4	55926 00 016
10	3/8	55926 00 013
12	3/8	55926 00 014
12	1/2	55926 00 015

IN-LINE FLOW REGULATORS

55940

TUBE IN-LINE NEEDLE VALVE (UNIDIRECTIONAL FLOW)



55945

MALE "UNIVERSAL SHORT"-TUBE IN-LINE FLOW CONTROL (CONTROLLED FLOW OUT)



55950

MALE "UNIVERSAL SHORT"-TUBE IN-LINE FLOW CONTROL (CONTROLLED FLOW IN)



55955

TUBE IN-LINE NEEDLE VALVE (BI-DIRECTIONAL FLOW)



55960

MALE "UNIVERSAL SHORT"-TUBE IN-LINE FLOW CONTROL (BI-DIRECTIONAL FLOW)



Tube	Thread	Code	Code	Code	Code	Code
4	-	55940 00 004	-	-	55955 00 004	-
6	-	55940 00 001	-	-	55955 00 001	-
8	-	55940 00 002	-	-	55955 00 002	-
10	-	55940 00 003	-	-	55955 00 003	-
4	1/8	-	55945 00 007	55950 00 007	-	55960 00 007
6	1/8	-	55945 00 001	55950 00 001	-	55960 00 001
6	1/4	-	55945 00 002	55950 00 002	-	55960 00 002
8	1/4	-	55945 00 003	55950 00 003	-	55960 00 003
8	3/8	-	55945 00 004	55950 00 004	-	55960 00 004
10	3/8	-	55945 00 005	55950 00 005	-	55960 00 005
10	1/2	-	55945 00 006	55950 00 006	-	55960 00 006

55970

TUBE IN LINE PRESSURE REGULATOR



55975

TUBE - MALE "UNIVERSAL SHORT" IN-LINE PRESSURE REGULATOR



55980

MALE "UNIVERSAL SHORT" - TUBE IN-LINE PRESSURE REGULATOR



Tube	Thread	Code	Code	Code
6	-	55970 00 002	-	-
8	-	55970 00 003	-	-
10	-	-	-	-
4	1/8	-	-	-
6	1/8	-	55975 00 001	55980 00 001
6	1/4	-	55975 00 002	55980 00 002
8	1/4	-	55975 00 003	55980 00 003
8	3/8	-	55975 00 004	55980 00 004
8	3/8	-	55945 00 004	55960 00 004
10	3/8	-	55945 00 005	55960 00 005
10	1/2	-	55945 00 006	55960 00 006