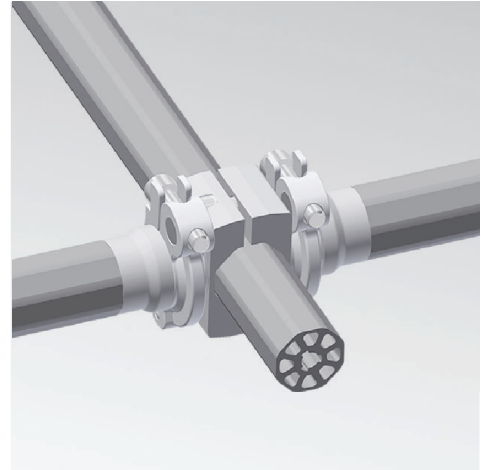
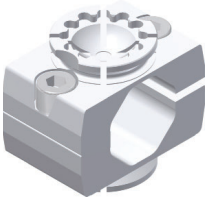


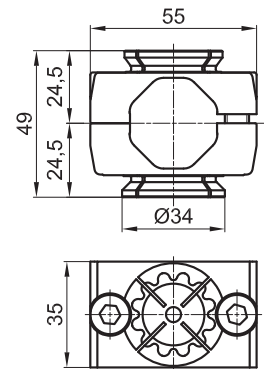
Double cross joint



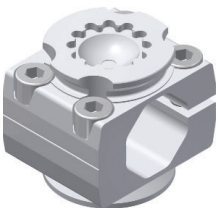
GR8CJD30C Double cross joint 30 for ball mounting



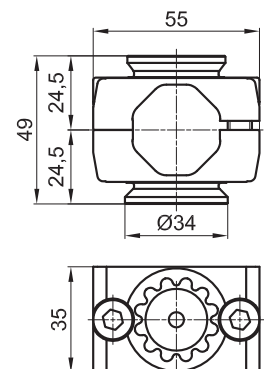
	Tightening torque	Screw
GR8CJD30C	25 Nm	M8x20
Material:	Aluminium	
Weight:	0,140 kg	
Max static load:	80 Nm	



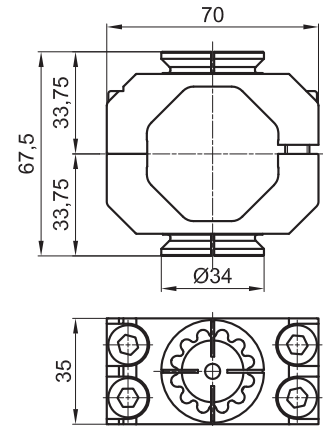
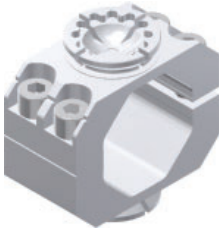
GR8CJD30D Double cross joint 45 for ball mounting



	Tightening torque	Screw
GR8CJD30D	25 Nm	M8x20
Material:	Aluminium	
Weight:	0,22 kg	
Max static load:	200 Nm	



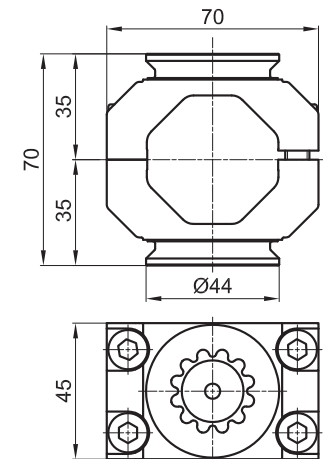
GR8CJD45C Double cross joint 45 for ball mounting



	Tightening torque	Screw
GR8CJD45C	25 Nm	M8x25

Material:	Aluminium
Weight:	0,22 kg
Max static load:	80 Nm

GR8CJD45D Double cross joint 45 D



	Tightening torque	Screw
GR8CJD45D	25 Nm	M8x25

Material:	Aluminium
Weight:	0,32 kg
Max static load:	200 Nm