

HZE3

Air Treatment Units

New size 3 - G1

Standard configurations:

- Filter (F)
- Regulator (R)
- Lubricator (L)
- Filter regulator (FR)
- Filter regulator + Lubricator (FR+L)
- Filter + Regulator + Lubricator (F+R+L)



TECHNICAL CHARACTERISTICS

Ambient temperature	-5 ÷ 60 °C
Fluid	filtered compressed air, with or without lubrication
Working pressure	10 bar (pressure regulator 15 bar)
Max pressure	15 bar (pressure regulator 20 bar)

CONSTRUCTIVE CHARACTERISTICS

Body	die-cast aluminium (painted)
Knob	tecnopolymer
Ring nut	zinc-plated steel
Bowl	polycarbonate
Bowl guard	tecnopolymer
Filter element	polyethylene
Seals	nitrile rubber (NBR)
Springs	steel
Diaphragm	fabric reinforced rubber

CODIFICATION KEY

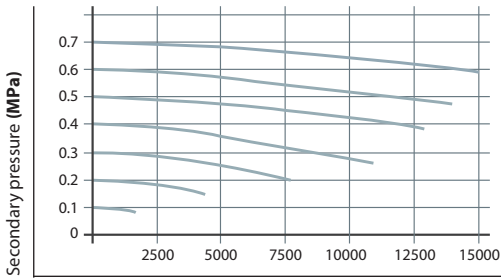
H	Z	E	3	B	2	5	G	S
1	2	3	4	5				

1 Series	2 Size	3 Model	4 Thread	5 Option
HZE = Air treatment unit with manual drain and standard semi-automatic drain	3 = G1	F = Filter (F) R = Regulator (R) L = Lubricator (L) B = Filter regulator (FR) D = Filter regulator + Lubricator (FR+L) C = Filter + Regulator + Lubricator (F+R+L)	25G = G1	A = Automatic drain S = Manual drain/semi-automatic drain (standard supplied) Excluding regulator (R) and lubricator (L)

Flow rate characteristics

Filter

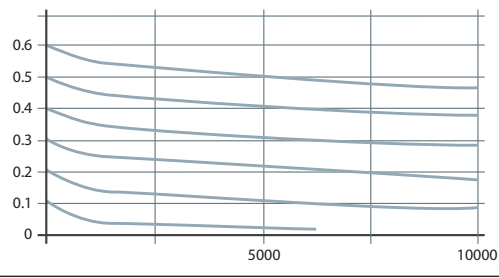
■ HZE3F25GS



Flow rate (NI/min)

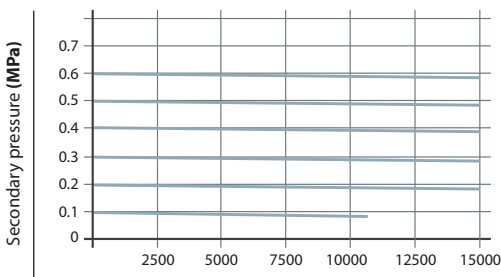
Regulator

■ HZE3R25G



Lubricator

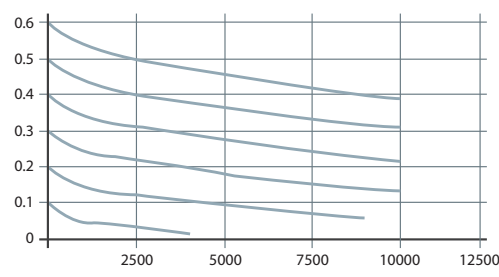
■ HZE3L25G



Flow rate (NI/min)

Filter regulator

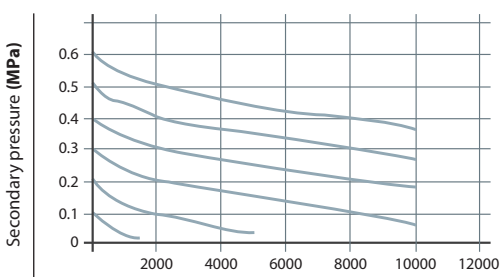
■ HZE3B25GS



4

Filter regulator + Lubricator

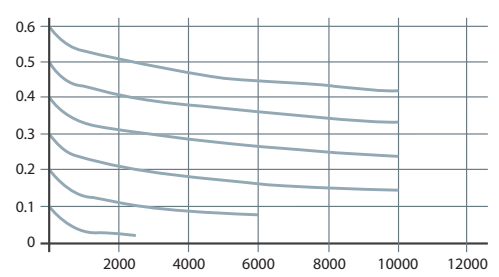
■ HZE3D25GS



Flow rate (NI/min)

Filter + Regulator + Lubricator

■ HZE3C25GS



Supply pressure **7 bar**

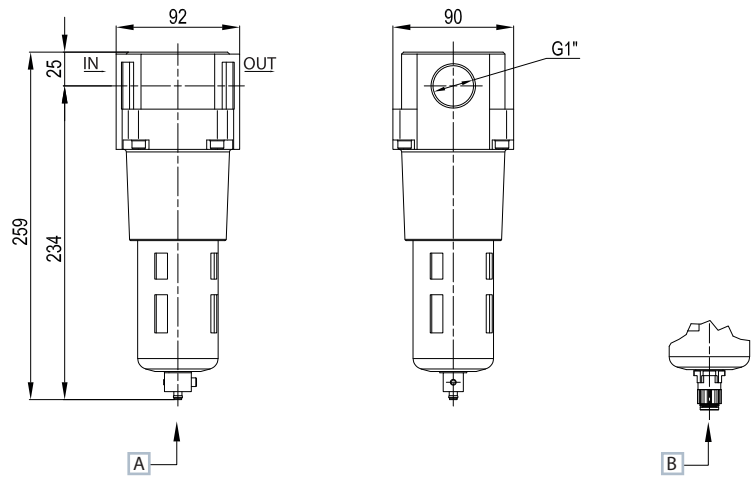
Filter

Part no.	HZE3F25GS
Connections	G1
Filtration rate (µm)	40
Flow rate (NI/min) ^(A)	10000
Max inlet pressure (bar-MPa-psi)	10-1-145
Working pressure (bar) with manual/semi-automatic drain	0,5 ÷ 10
Working pressure (bar) with automatic drain	1,5 ÷ 10
Fluid	compressed air
Temperature (°C)	-5 ÷ 60
Condensation drain capacity (cm ³)	75
Condensation drain ^(B)	manual/semi-automatic
Weight (g)	1180
Mounting position	vertical

(A) = inlet pressure 7 bar - Δp 0,5 bar

(B) = manual drain with semi-automatic function at < 0,5 bar pressure

HZE3F25GS



- A** Manual/semi-automatic drain ID Tube 6 mm
- B** Automatic drain OD Tube 8 mm

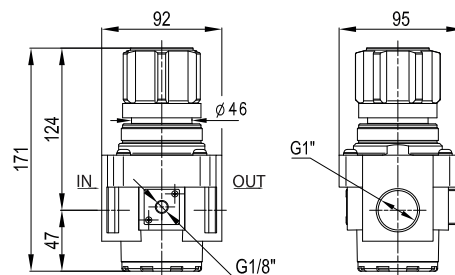
Regulator

Part no.	HZE3R25G
Connections	G1
Flow rate (NI/min) ^(A)	10000
Max inlet pressure (bar-MPa-psi)	15 - 1,5 - 217
Pressure adjustment - relieving version (bar)	0,5 ÷ 8,5
Pressure gauge adaptor	G1/8
Fluid	filtered air
Temperature (°C)	-5 ÷ 60
Weight (g)	1460
Mounting position	any

(A) = inlet pressure 7 bar, outlet pressure 5 bar - Δp 1 bar

HZE3Z310R L bracket, standard supplied

HZE3R25G

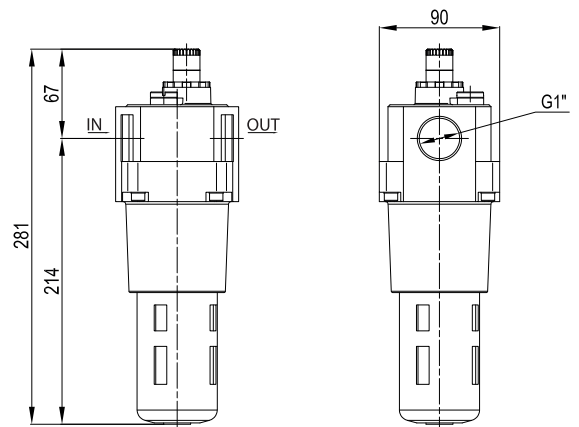


Lubricator

Part no.	HZE3L25G
Connections	G1
Flow rate (NI/min) ^(A)	10000
Max inlet pressure (bar-MPa-psi)	10-1-145
Working pressure (bar)	0,5 ÷ 10
Fluid	filtered air
Temperature (°C)	-5 ÷ 60
Bowl capacity (cm ³)	200
Weight (g)	1260
Mounting position	vertical
Recommended oil	ISO VG 32
Min. working flow rate (NI/min)	33

(A) = inlet pressure 7 bar - Δp 0,2 bar

HZE3L25G



Filter regulator

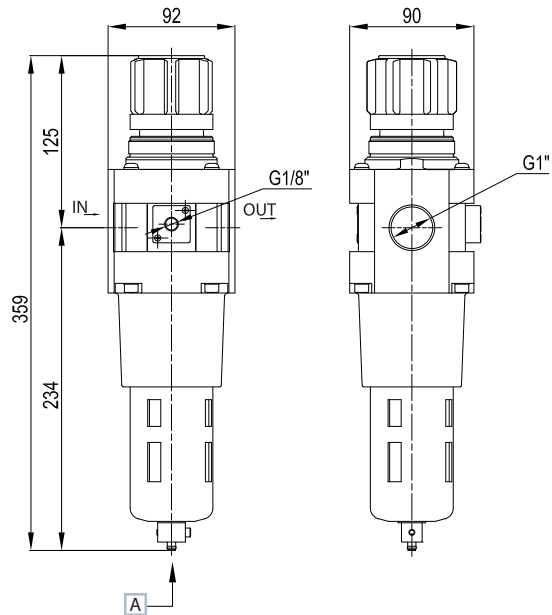
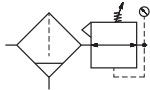
Part no.	HZE3B25GS
Connections	G1
Filtration rate (µm)	40
Flow rate (NI/min) ^(A)	10000
Max inlet pressure (bar-MPa-psi)	10-1-145
Working pressure (bar) with manual/semi-automatic drain	0,5 ÷ 10
Working pressure (bar) with automatic drain	1,5 ÷ 10
Pressure adjustment - relieving version (bar)	0,5 ÷ 8,5
Pressure gauge adaptor	G1/8
Fluid	compressed air
Temperature (°C)	-5 ÷ 60
Condensation drain capacity (cm ³)	75
Drain capacity ^(B)	manual/semi-automatic
Weight (g)	1940
Mounting position	vertical

(A) = inlet pressure 7 bar, outlet pressure 5 bar - Δp 2 bar

(B) = manual drain with semi-automatic function at < 0,5 bar pressure

HZE3Z310R L bracket, standard supplied

HZE3B25G



A Manual/semi-automatic drain ID Tube 6 mm

B Automatic drain OD Tube 8 mm

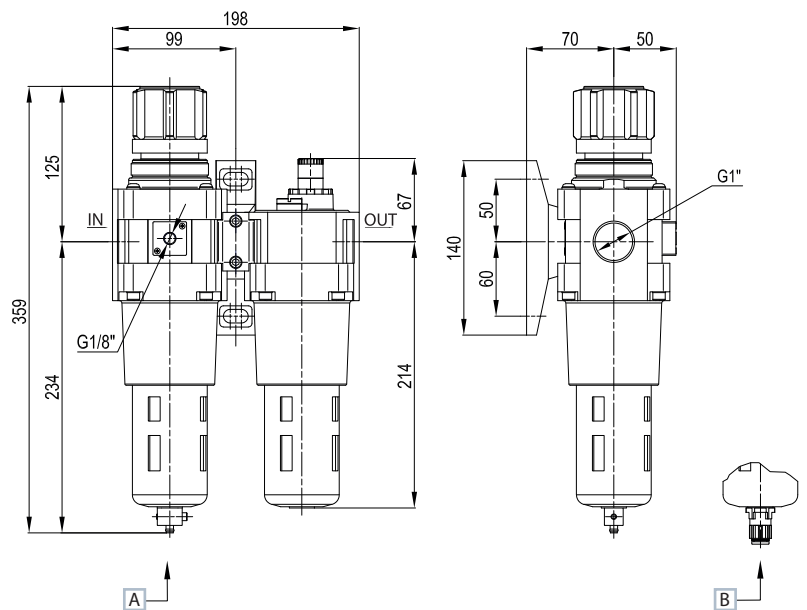
Filter regulator + Lubricator

Part no.	HZE3D25GS
Connections	G1
Filtration rate (µm)	40
Flow rate (NI/min) ^(A)	10000
Max inlet pressure (bar-MPa-psi)	10-1-145
Working pressure (bar) with manual/semi-automatic drain	0,5 ÷ 10
Working pressure (bar) with automatic drain	1,5 ÷ 10
Pressure adjustment - relieving version (bar)	0,5 ÷ 8,5
Pressure gauge adaptor	G1/8
Fluid	compressed air
Temperature (°C)	-5 ÷ 60
Condensation drain capacity (cm ³)	75
Bowl capacity (cm ³)	200
Drain capacity ^(B)	manual/semi-automatic
Weight (g)	3480
Mounting position	vertical
Recommended oil	ISO VG 32
Min. working flow rate (NI/min)	33

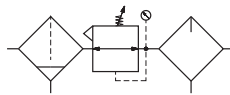
(A) = inlet pressure 7 bar, outlet pressure 5 bar - Δp 2 bar

(B) = manual drain with semi-automatic function at < 0,5 bar pressure

HZE3D25GS



- A** Manual/semi-automatic drain ID Tube 5,5 mm
- B** Automatic drain OD Tube 8 mm



4

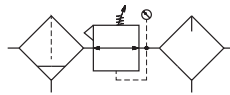
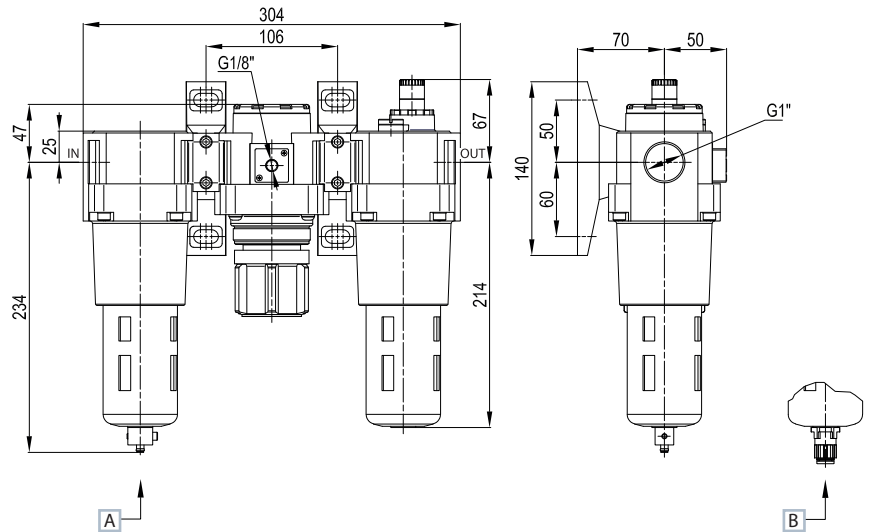
Filter + Regulator + Lubricator

Part no.	HZE3C25GS
Connections	G1"
Filtration rate (µm)	40
Flow rate (NI/min) ^(A)	10000
Max inlet pressure (bar-MPa-psi)	10-1-145
Pressure adjustment - relieving version (bar)	0,5 ÷ 8,5
Working pressure (bar) with manual/semi-automatic drain	0,5-10
Working pressure (bar) with automatic drain	1,5-10
Pressure gauge adaptor	G1/8
Fluid	compressed air
Temperature (°C)	-5 ÷ 60
Condensation drain capacity (cm ³)	75
Bowl capacity (cm ³)	200
Drain capacity ^(B)	manual/semi-automatic
Weight (g)	4200
Mounting position	vertical
Recommended oil	ISO VG 32
Min. working flow rate (NI/min)	33

(A) = inlet pressure 7 bar, outlet pressure 5 bar - Δp 1 bar

(B) = manual drain with semi-automatic function at < 0,5 bar pressure

HZE3C25GS



- A** Manual/semi-automatic drain ID Tube 5,5 mm
- B** Automatic drain OD Tube 8 mm

Other versions available

HZE3R25GQ/GT

HZE3B25GQ/GT

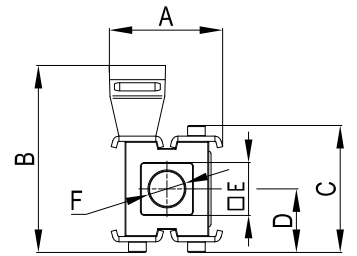
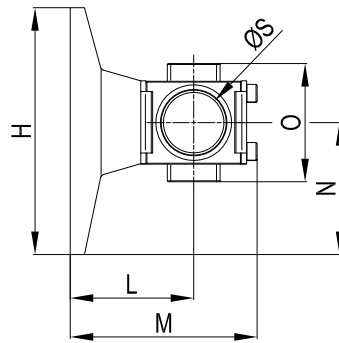
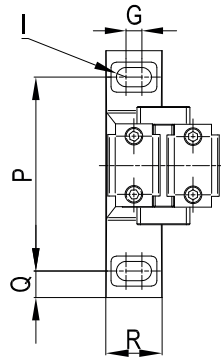


Regulator with integrated digital pressure switch size 3
HZE3R25GQ
HZE3R25GT with M8 connector

Filter regulator with integrated digital pressure switch size 3
HZE3B25GQ
HZE3B25GT with M8 connector

Accessories

Intermediate diverter block

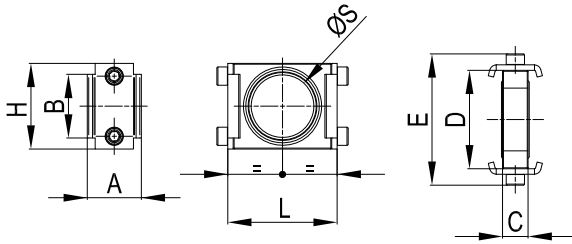


size	A	B	C	D	E	F	G	H	I	L	M	N	O	P	Q	R	ØS	Part no.
3	64	106	72	36	30	G1/2	9	140	5,5	70	106	75	67	110	15	32	34,4	HZE3N

4

Fixing elements

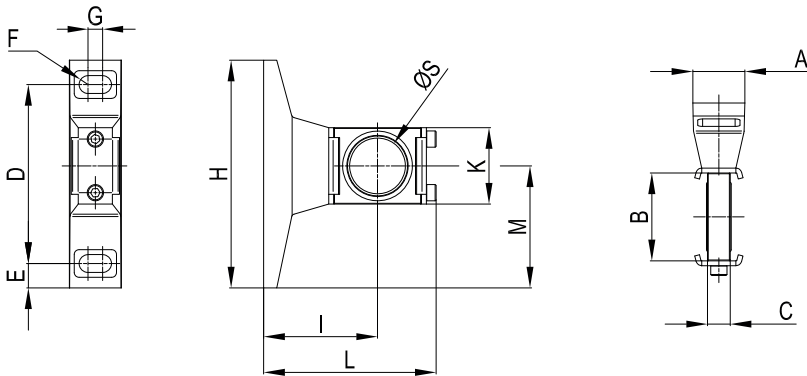
Assembly kit



size	A	B	C	D	E	H	L	ØS	Part no.
3	30	35	14	54	72	47	60	34,4	HZE3Z200



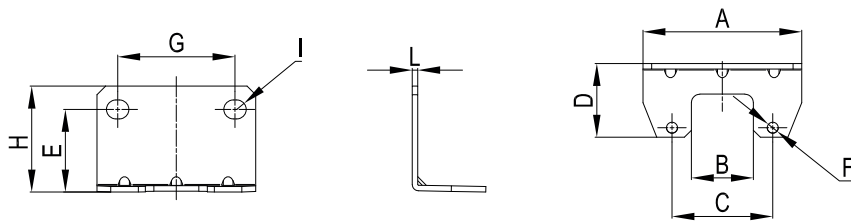
T-bracket assembly kit



size	A	B	C	D	E	F	G	H	I	K	L	M	ØS	Part no.
3	32	54	14	110	15	5,5	9	140	70	47	106	75	34,4	HZE3Z210



L-bracket (for regulator and filter regulator)

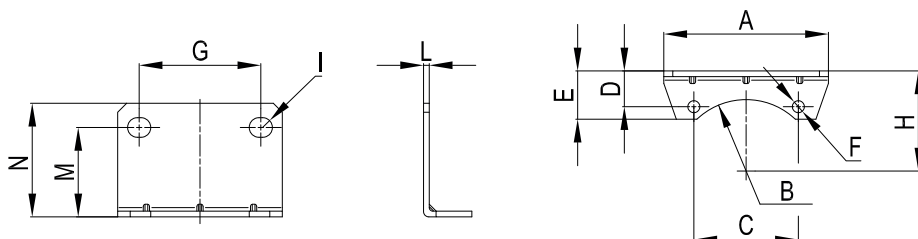


size	A	B	C	D	E	ØF	G	H	I	L	Part no.
3	92	36	58,5	43	48	6,5	68	61	5,5	3,2	HZE3Z310R

*Standard supplied with regulator and filter regulator



L-bracket (for filter and lubricator)



size	A	B	C	D	E	ØF	G	H	I	L	M	N	Part no.
3	92	40	58,4	20	27	6,8	68	56	5,5	3,2	50	63,5	HZE3Z310F



Spare parts for Filter regulator

HZE3Z600SS



Bowl with semi-automatic drain

HZE3Z600SA



Bowl with automatic drain

HZE3Z664



Filter element 40 µm

Spare parts for Regulator and filter regulator

HZE3Z602



Knob

HZE3Z658



Regulator spring
Pressure adjustment
0,5 ÷ 8,5

HZE3Z603



Ring nut for panel

HZE3Z610



Diaphragm kit with relieving

Spare parts for Lubricator

HZE3Z601



Standard bowl

HZE3Z470



Lubricator transparent dome

4

Gauges and pressure switches

HZ9P...



Pressure gauge

HZ9PB...



Pressure gauge with flange
for panel mounting

HZ9PBS...



Pressure gauge with bracket
for panel mounting

HZ9464G



Recessed pressure gauge

HZ9N



Digital pressure switch

HZ9NP50



IP65 digital pressure switch with
connector

For technical characteristics see Chapter 5. Accessories