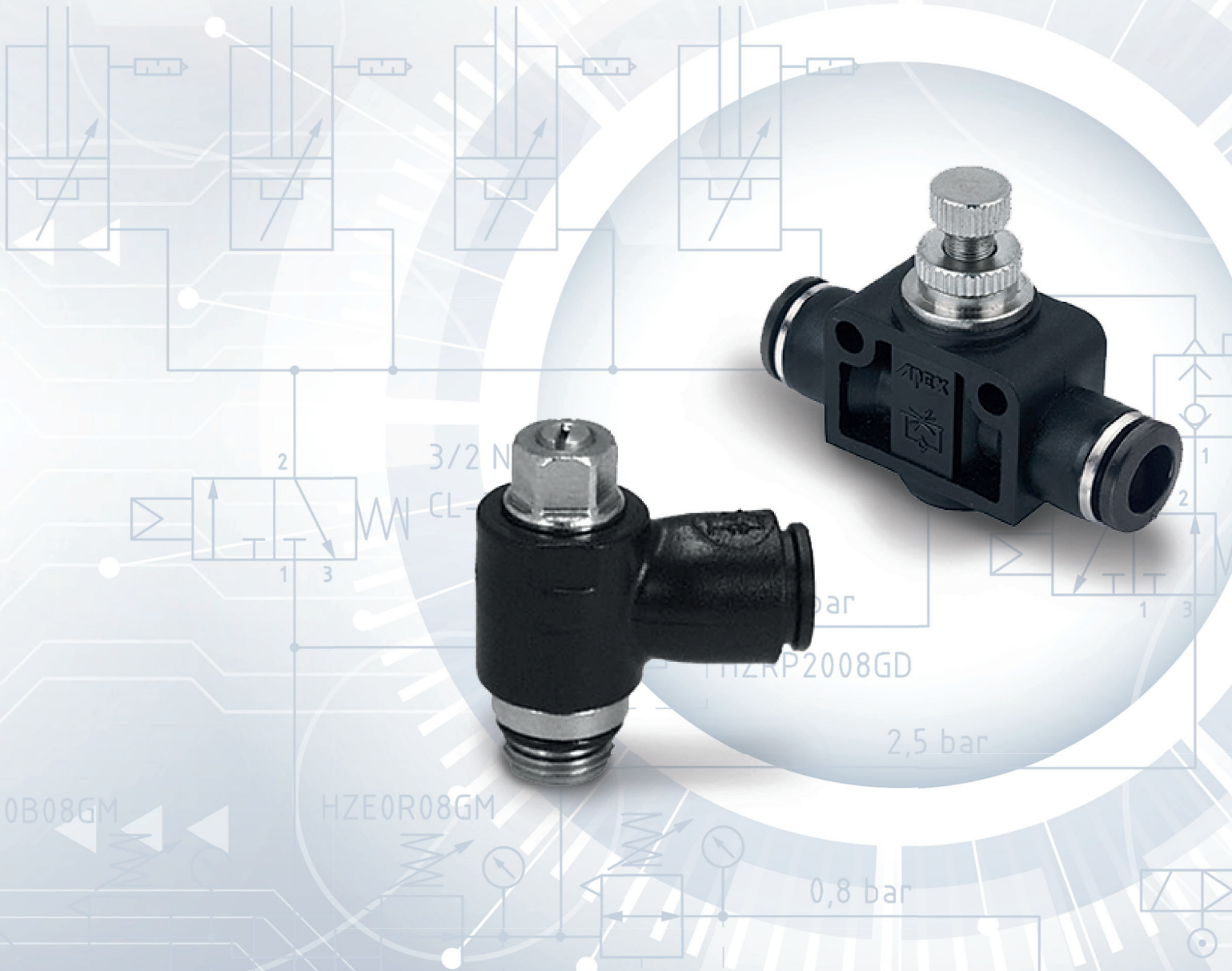


Fittings with pneumatic functions **HCT**



HCT

Fittings with pneumatic functions

Fittings with pneumatic functions HCT series are the right product for anyone looking for excellent performances, small sizes and extreme lightness thanks to the plastic material they are made of.

These push-in fittings for compressed air feature a hose coupling system with a stainless steel ring as well as a special thread with O-ring that guarantees the minimum size of the external hexagon wrench and a tight grip on imperfect threaded seats.

Due to their compact size and high performance, they are ideal for all kinds of industrial pneumatic applications.



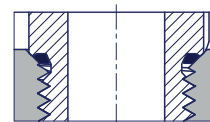
CHARACTERISTICS

Temperature	-10 ÷ 80 °C
Fluid	compressed air
Working pressure	Max 10 bar
Application fields	pneumatic circuits
Recommended hoses	Rilsan (PA11/12), Polyurethane, Polyethylene, Polyester, Theon, Nylon (PA6): $\pm 0,05$ ($\varnothing 4 \div \varnothing 10$) - $\pm 0,1$ ($\varnothing 12 \div \varnothing 14$)
Body	acetalic resin
Fixing elements	nickel-plated brass with O-ring in NBR for parallel thread version (standard)
Clamp	stainless steel
Release ring	acetalic resin

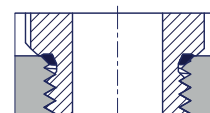
CHARACTERISTICS CONSTRUCTIVE

The O-RING sealing system that characterises the HCT series fittings ensures the minimum hindrance of the hexagonal key and grants sure applications on imperfect threaded seats with:

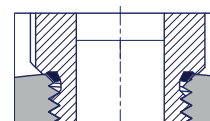
1. Big invitation chamfer of the female thread



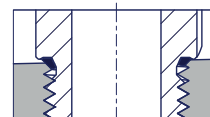
2. Small invitation chamfer of the female thread



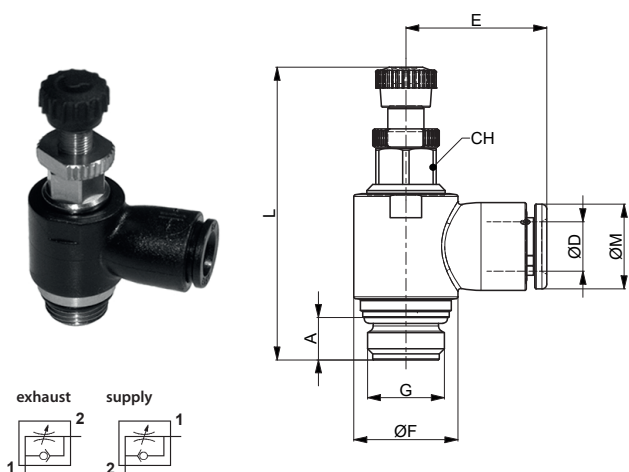
3. Thread on curved surface



4. Thread not perpendicular of the substructure

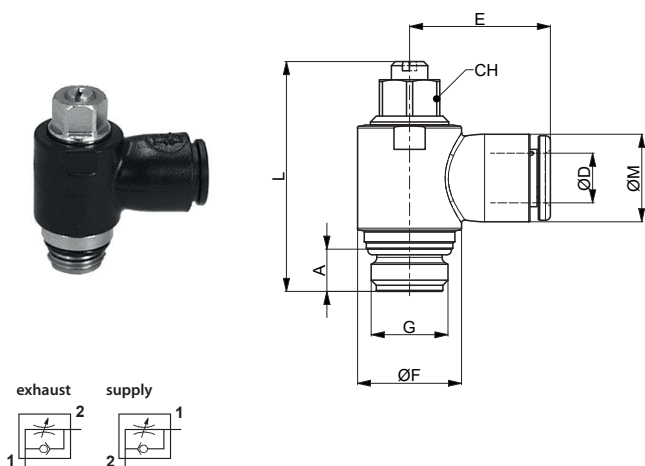


HCT01-HCT02 | One-way banjo flow regulator



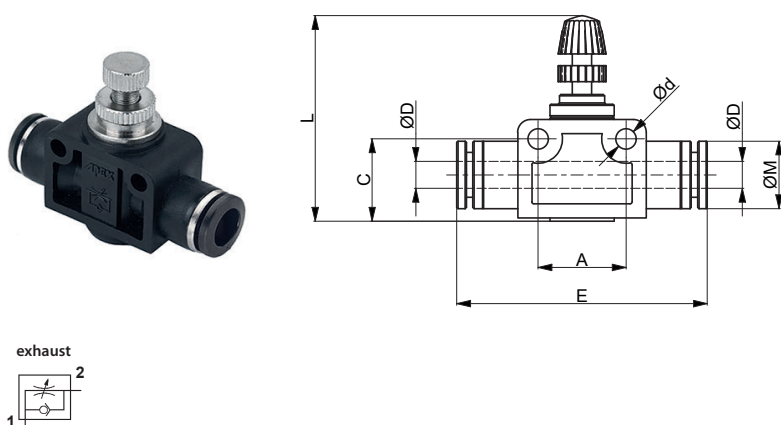
Part No.		A	CH	ØD	E	ØF	G	L		ØM
exhaust	supply							min	Max	
HCT0104M5	HCT0204M5	4	6	4	19,4	9,8	M5	32	35,5	9,8
HCT010418	HCT020418	6	8	4	19	10,3	G1/8	40	46	10,3
HCT0106M5	HCT0206M5	4	6	6	19,5	11,5	M5	32	32,5	11,5
HCT010618	HCT020618	6	8	6	20	12,6	G1/8	40	46	12,6
HCT010614	HCT020614	7	10	6	21,5	12,6	G1/4	45	51	12,6
HCT010818	HCT020818	6	8	8	21	14,5	G1/8	40	46	14,5
HCT010814	HCT020814	7	10	8	22,5	14,5	G1/4	45	51	14,5

HCT01T-HCT02T | One-way swivel banjo flow regulator - screwdriver slot



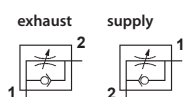
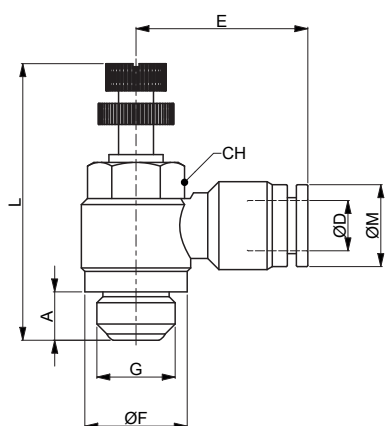
Part No.		A	CH	ØD	E	ØF	G	L		ØM
exhaust	supply							min	Max	
HCT01T04M5	HCT02T04M5	4	6	4	19,4	9,5	M5	25,5	26	9,8
HCT01T0418	HCT02T0418	6	8	4	19	14,3	G1/8	29,5	33	10,3
HCT01T06M5	HCT02T06M5	4	6	6	19,5	9,5	M5	25,5	26	11,5
HCT01T0618	HCT02T0618	6	8	6	20	14,3	G1/8	29,5	33	12,6
HCT01T0614	HCT02T0614	7	10	6	21,5	17,3	G1/4	34,0	38	12,6
HCT01T0818	HCT02T0818	6	8	8	21	14,3	G1/8	29,5	33	14,5
HCT01T0814	HCT02T0814	7	10	8	22,5	17,3	G1/4	34,0	38	14,5

HCT04 | One-way in-line intermediate flow regulator



Part No.	A	C	ØD	Ød	E	L		ØM
						min	Max	
HCT040404	14	11,75	4	3,2	39	27	29,5	10,5
HCT040606	20	15,15	6	4,3	47	39	44,5	13,3
HCT040808	22	16,4	8	4,3	52	42,5	47,5	14,8
HCT041010	25,5	21,3	10	4,3	63,5	46,5	52,5	18,6
HCT041212	31,5	24,25	12	4,3	74	54	59	21,5

HCT01_K-HCT02_K | One-way banjo flow regulator



Part No.		A	CH	ØD	E	ØF	G	L		ØM
exhaust	supply							min	Max	
HCT0104M5K	HCT0204M5K	5	8	4	20	9,5	M5	29	32	10,3
HCT0104M6K	HCT0204M6K	6	8	4	20	9,5	M6	30	32	10,3
HCT010418K	HCT020418K	5,5	12	4	22,5	11,5	G1/8	36	39,5	12,6
HCT010414K	HCT020414K	6	14	4	24,5	15,5	G1/4	41	46,5	12,6
HCT0106M5K	HCT0206M5K	5	8	6	22	9,5	M5	29	32	12,7
HCT010618K	HCT020618K	5,5	12	6	22,5	11,5	G1/8	36	39,5	12,7
HCT010614K	HCT020614K	6	14	6	24,5	15,5	G1/4	41	46,5	12,7
HCT010638K	HCT020638K	7	19	6	26,5	20,5	G3/8	46,5	52	12,7
HCT010612K	HCT020612K	9	24	6	32	25,5	G1/2	53	60	12,7
HCT010818K	HCT020818K	5,5	12	8	26	11,5	G1/8	36	39,5	14,5
HCT010814K	HCT020814K	6	14	8	28	15,5	G1/4	41	46,5	14,5
HCT010838K	HCT020838K	7	19	8	30	20,5	G3/8	46,5	52	14,5
HCT010812K	HCT020812K	9	24	8	32	25,5	G1/2	53	60	14,5
HCT011018K	HCT021018K	5,5	12	10	30,5	11,5	G1/8	36	39,5	18,2
HCT011014K	HCT021014K	6	14	10	31,5	15,5	G1/4	41	46,5	18,2
HCT011038K	HCT021038K	7	19	10	33,5	20,5	G3/8	46,5	52	18,2
HCT011012K	HCT021012K	9	24	10	35	25,5	G1/2	53	60	18,2
HCT011214K	HCT021214K	6	14	12	32,5	15,5	G1/4	41	46,5	20,5
HCT011238K	HCT021238K	7	19	12	34,5	20,5	G3/8	46,5	52	20,5
HCT011212K	HCT021212K	9	24	12	36	25,5	G1/2	53	60	20,5



Industrial Automation

UNIVER S.p.A.

Headquarters

I - 20128 **Milano**
Via Eraclito, 31
Tel. +39 02 25298.1
Fax +39 02 2575254
info@univer-group.com
www.univer-group.com

UNIVER SERVICE S.r.l.

Headquarters

I - 20128 **Milano**
Via Empedocle, 20
Tel. +39 02 25298.1
Fax +39 02 25298370
universervice@universervice.it
www.universervice.it

Branch offices

LOMBARDIA

I - 20099 - Sesto San Giovanni **Milano**
Via G. di Vittorio, 307/20
Tel. +39 02 26261304
Fax +39 02 24300375
universervice@universervice.it

PIEMONTE/LIGURIA/VALLE D'AOSTA

I - 10071 Borgaro Torinese **Torino**
Via Veneto, 18
Tel. +39 011 4501871
Fax +39 011 4502898
torino@universervice.it

VENETO/FRIULI VENEZIA-GIULIA

TRENTINO-ALTO ADIGE

I - 30030 Vigonovo **Venezia**
Via Prima strada 16/A - Loc. Galta
Tel. +39 049 9834140
Fax +39 049 9833972
vigonovo@universervice.it

EMILIA ROMAGNA - CENTRO/SUD

I - 40069 Zola Predosa **Bologna**
Via Guido Rossa, 21
Tel. +39 051 753907
Fax +39 051 6184751
bologna@universervice.it

UNIVER DO BRASIL S/A

BRASILE - 13474-764
Americana São Paulo - SP
Rua do Polyester, 29
Distrito Industrial Abdo Najar
Tel. +55 19 3113-9400
Fax +55 19 3113-9405
atendimento@univer.com.br

UNIVER CHINA

CINA - Shanghai
399 Fu Te North Road,
Free Zone, Pudong
info@univer-china.com

UNIVER FRANCE S.a.s.

FRANCIA - 68000
Colmar
1, rue Denis Papin
Tel. +33 3 89210900
Fax +33 3 89216850
info@univer-france.fr

UNIVER G.m.b.H.

GERMANIA - D-65428
Rüsselsheim
Eisenstraße 51
Tel. +49 6142 408320
Fax +49 6142 4083290
info@univer-gmbh.de

UNIVER NORTH AMERICA

USA - 48312
Sterling Heights - **Michigan**
6620 Cobb Drive
Tel. +1 248 299 0525
Fax +1 248 299 0528
info@univer-group.us

UNIVER POLSKA Sp. z o.o.

POLONIA - 25-663
Kielce
ul. K. Olszewskiego 21E
Tel. +48 41 278 72 53
Fax +48 41 278 72 54
univer@univer-group.pl

UNIVER S.L.

SPAGNA - 08210
Barbera Del Valles **Barcelona**
Ronda Industria, 26 - 28
Tel. +34 93 7297360
Fax +34 93 7297380
univer@univerweb.com

Distributors worldwide:

Get in touch with UNIVER Sales Department
or visit our website www.univer-group.com



www.univer-group.com