

B

10 mm nanovalves

- Flow rate 12 NI/min
- Interface with conveyed discharge or discharge in the air
- Versions 3/2 normally open (NO) and normally closed (NC)
- Interchangeable coil (U04) - rotation by 180°
- Molex-type electrical connector or loose wires

ATEX version available upon request

CE II 3 GD c nA II T5-10°C ≤ Ta ≤ 45°C



TECHNICAL CHARACTERISTICS

Ambient temperature	-5 ÷ +50 °C
Fluid temperature	Max +50 °C
Fluid	10 µm filtered air, with or without lubrication
Commutation system	poppet valve
Ways/Positions	3/2 NC, 3/2 NO
Pressure	Max 8 bar
Control	electric
Return	mechanical spring
Connections	on sub-base
Nominal Ø	0,5 ÷ 0,6 mm
Nominal flow rate	9 ÷ 12 NI/min
Max frequency	2300 ÷ 3000 cycles/min

CONSTRUCTIVE CHARACTERISTICS

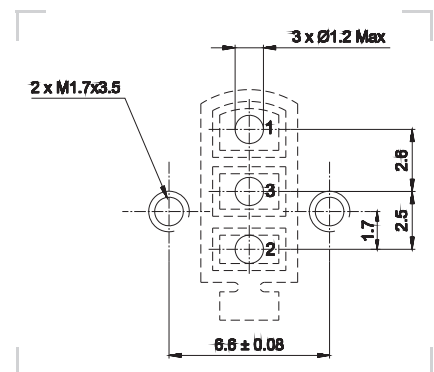
Valve body	technopolymer (aluminium external cover)
Seals	nitrile rubber
Components	stainless steel - treated brass

ELECTRIC CHARACTERISTICS

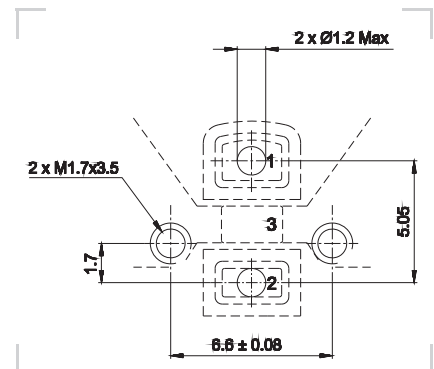
Coil	U04 DE series
Power consumption	1,2 W (1,35 W with LED) - 0,5 W (speed-up 1,2 W)
Electrical connection	Molex bipolar connector or loose cables
Voltage	12 V DC - 24 V DC
Manual override	recessed button - 1 position

Substructure

Conveyed discharge



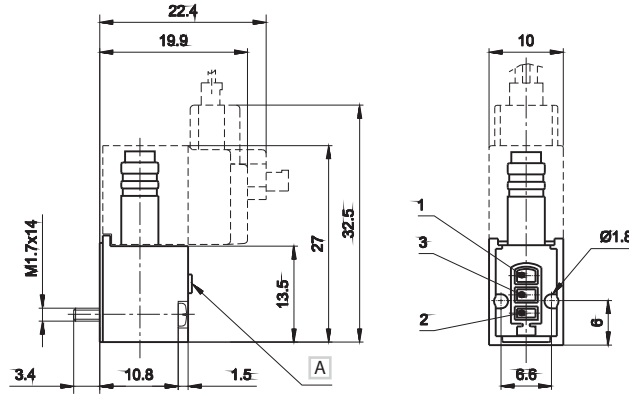
Discharge in the air



NC
1 = Supply port
2 = Use
3 = Exhaust

NO
1 = Exhaust
2 = Use
3 = Supply port

Valves with conveyed discharge

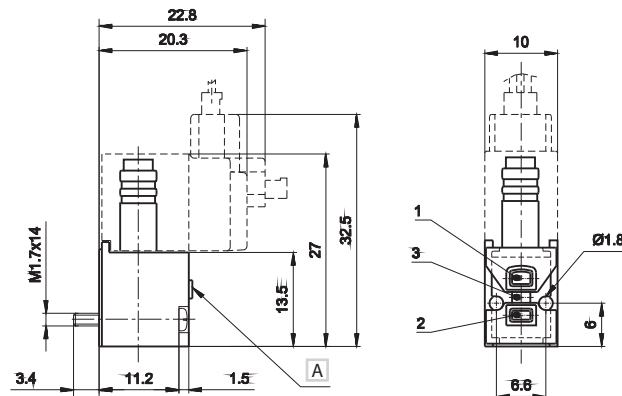


1 = Supply port
2 = Use
3 = Exhaust

A Manual override

Symbol	Nominal Ø	Flow rate NI/min.	Pressure bar	Response Time (ms)		Weight Kg	Part no.
				En.	De-en.		
3/2 NC	0,5	1→2=9 2→3=12	1,5÷8 (a)	9	10	0,007	B-101N
3/2 NO	0,5	3→2=9 2→1=10	0÷8	18	8	0,007	B-121N

Valves with discharge in the air



1 = Supply port
2 = Use
3 = Exhaust

A Manual override

Symbol	Nominal Ø	Flow rate NI/min.	Pressure bar	Response Time (ms)		Weight Kg	Part no.
				En.	De-en.		
3/2 NC	0,6	1→2=12 2→3=15	1,5÷8 (a)	9,5	9	0,007	B-102N

>> Coils



DE-352
24VDC - 1,2 W
DE-355
24VDC - 0,5 W
DE-452
24VDC - 1,35 W



DE-552
24VDC - 1,2 W
DE-555
24VDC - 0,5 W
DE-652
24VDC - 1,35 W



DE-052L030
24VDC - 1,2 W



DE-6421
12VDC - 1,35 W
DE-6521
24VDC - 1,35 W
DE-6551
24VDC - 0,5 W

U04 with integrated upward 90° connector
Weight: 0,006

U04 with in-line connector
Weight: 0,006

U04 with loose wires (300 mm length)
Weight: 0,008

U04 with in-line connector with protecting cover for complete tightness
Weight: 0,006

(a) = upon request: 0 bar operation

For technical features of coils and connectors, see section "Accessories>Coils"
Nanovalves are supplied without coil and connector